



US00D537078S

(12) **United States Design Patent**
Tanaka et al.

(10) **Patent No.:** **US D537,078 S**

(45) **Date of Patent:** **** Feb. 20, 2007**

(54) **IMAGE DISPLAY DEVICE**

(75) Inventors: **Mitsugi Tanaka**, Nagoya (JP);
Mitsuyoshi Watanabe, Hashima (JP)

(73) Assignee: **Brother Industries, Ltd.**, Nagoya (JP)

(**) Term: **14 Years**

(21) Appl. No.: **29/244,638**

(22) Filed: **Dec. 13, 2005**

(30) **Foreign Application Priority Data**

Jun. 14, 2005 (JP) 2005-017247

(51) **LOC (8) Cl.** **14-02**

(52) **U.S. Cl.** **D14/372**

(58) **Field of Classification Search** D14/371,
D14/372, 432, 449, 496; 345/8; 351/158;
348/180, 184

See application file for complete search history.

(56) **References Cited**

U.S. PATENT DOCUMENTS

5,003,300 A * 3/1991 Wells 345/8

D337,320 S * 7/1993 Hunter et al. D14/372
5,579,026 A * 11/1996 Tabata 345/8
5,751,260 A * 5/1998 Nappi et al. 345/8
5,757,339 A * 5/1998 Williams et al. 345/8
D436,960 S * 1/2001 Budd et al. D14/372
D504,428 S * 4/2005 Napolitano et al. D14/372
2002/0171605 A1 * 11/2002 Kim et al. 345/8

* cited by examiner

Primary Examiner—Freda S. Nunn

(74) *Attorney, Agent, or Firm*—Oliff & Berridge, PLC

(57) **CLAIM**

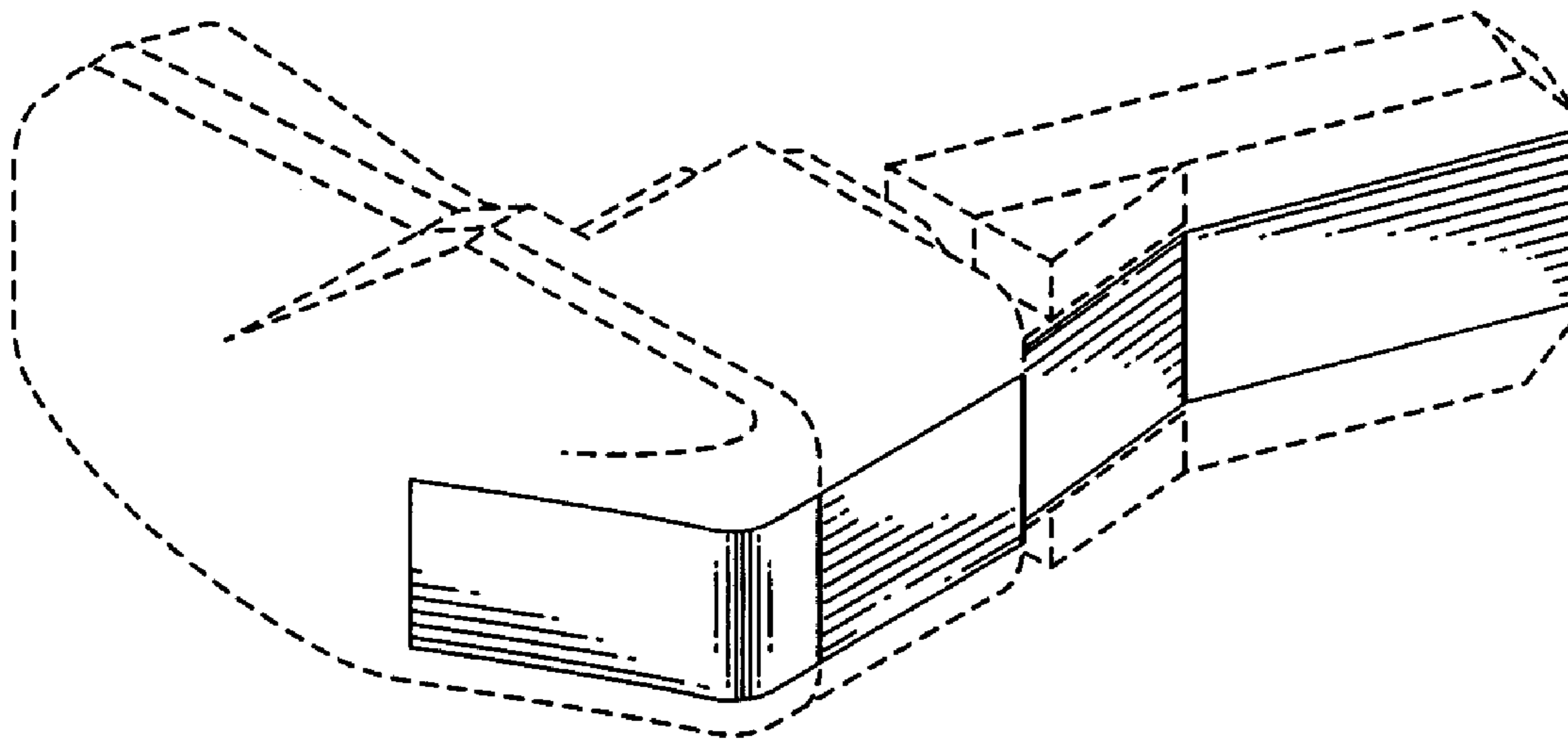
The ornamental design for image display device, as shown and described.

DESCRIPTION

FIG. 1 is a perspective view of an image display device;
FIG. 2 is a front view thereof;
FIG. 3 is a left side view thereof; and,
FIG. 4 is another perspective view thereof showing the
image display device in use.

The broken lines are for illustrative purposes only and form no part of the claimed design.

1 Claim, 2 Drawing Sheets



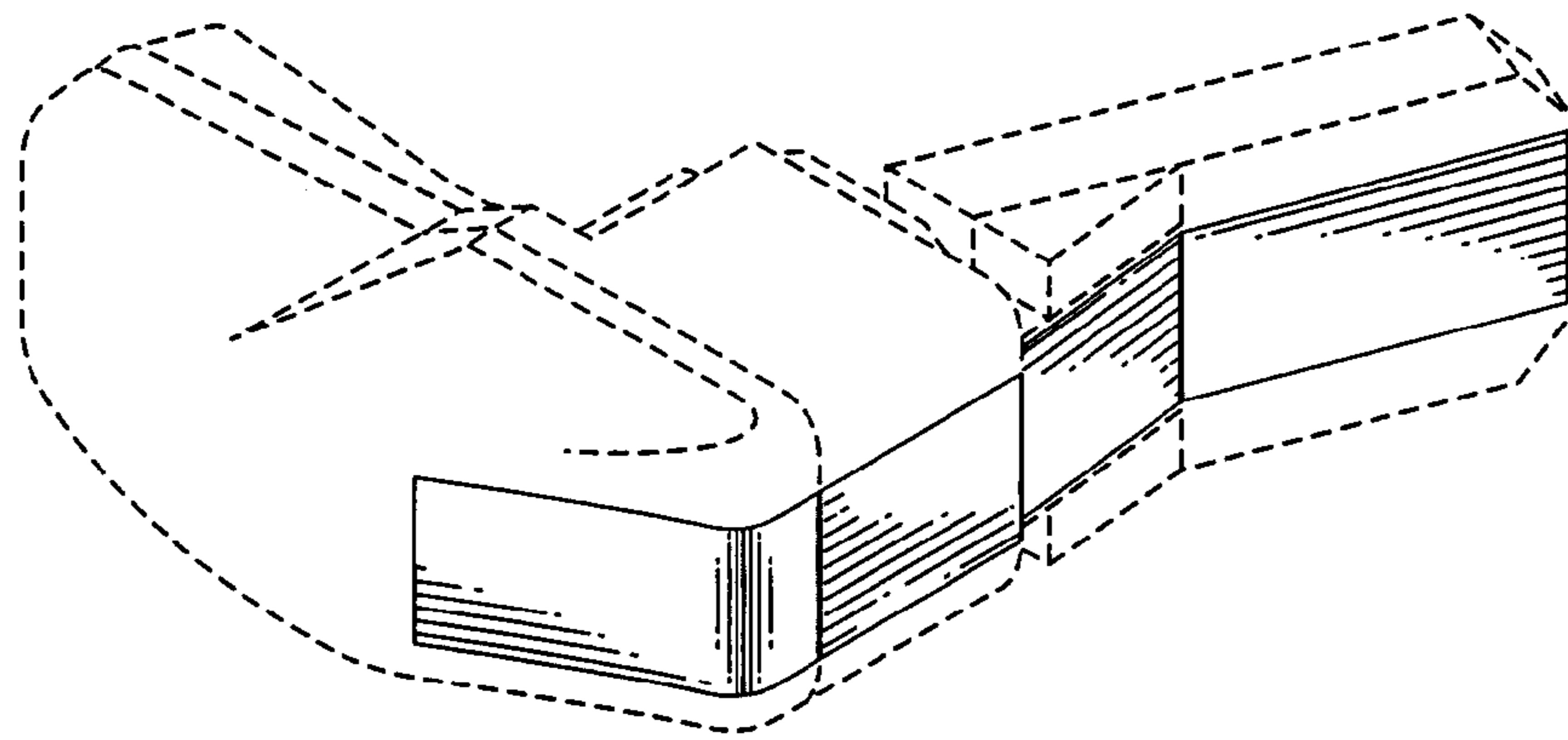


FIG. 1

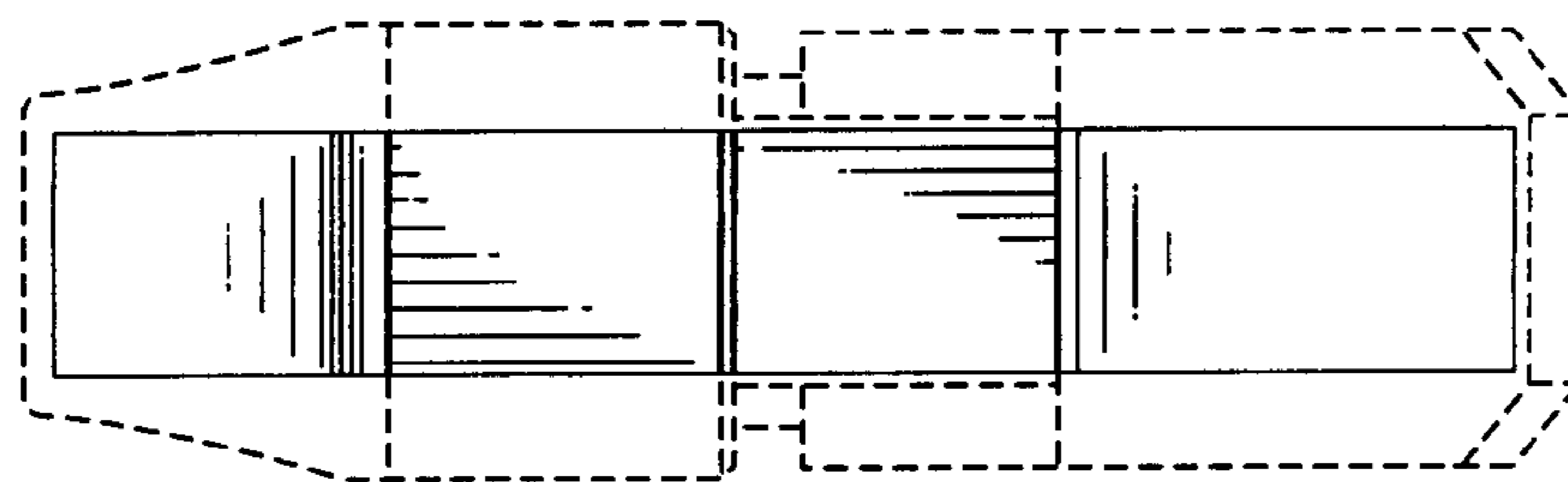


FIG. 2

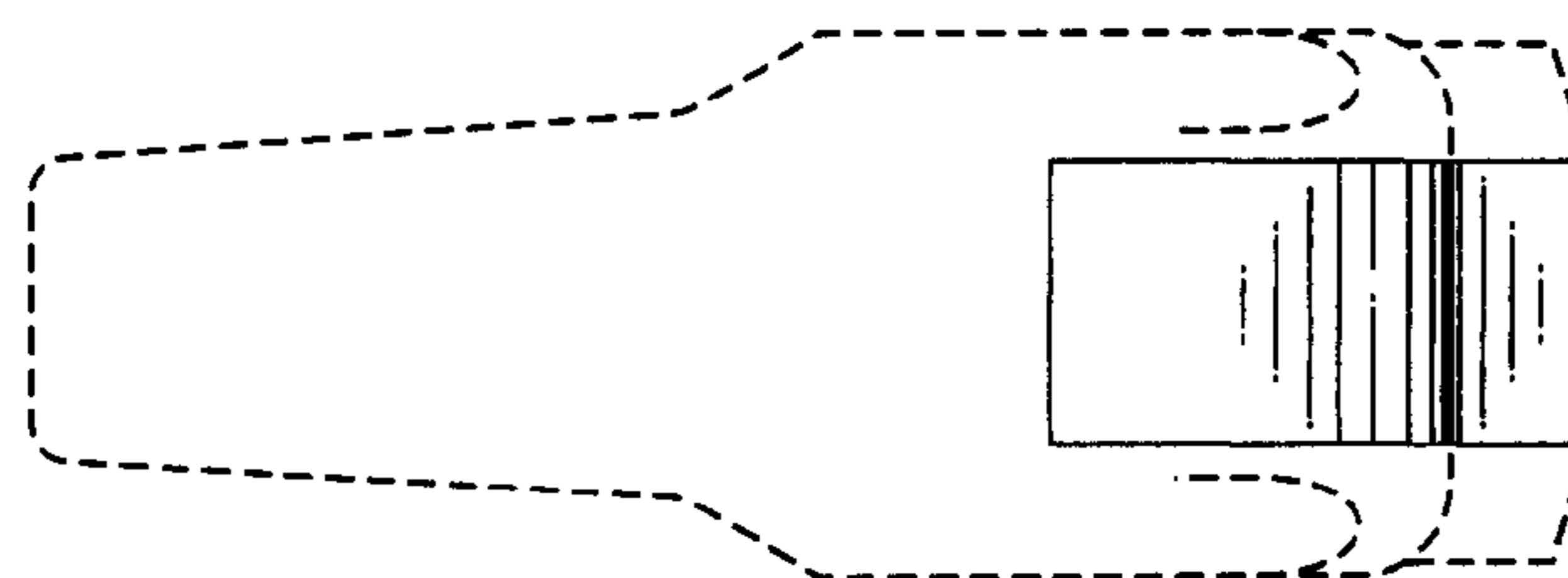


FIG. 3

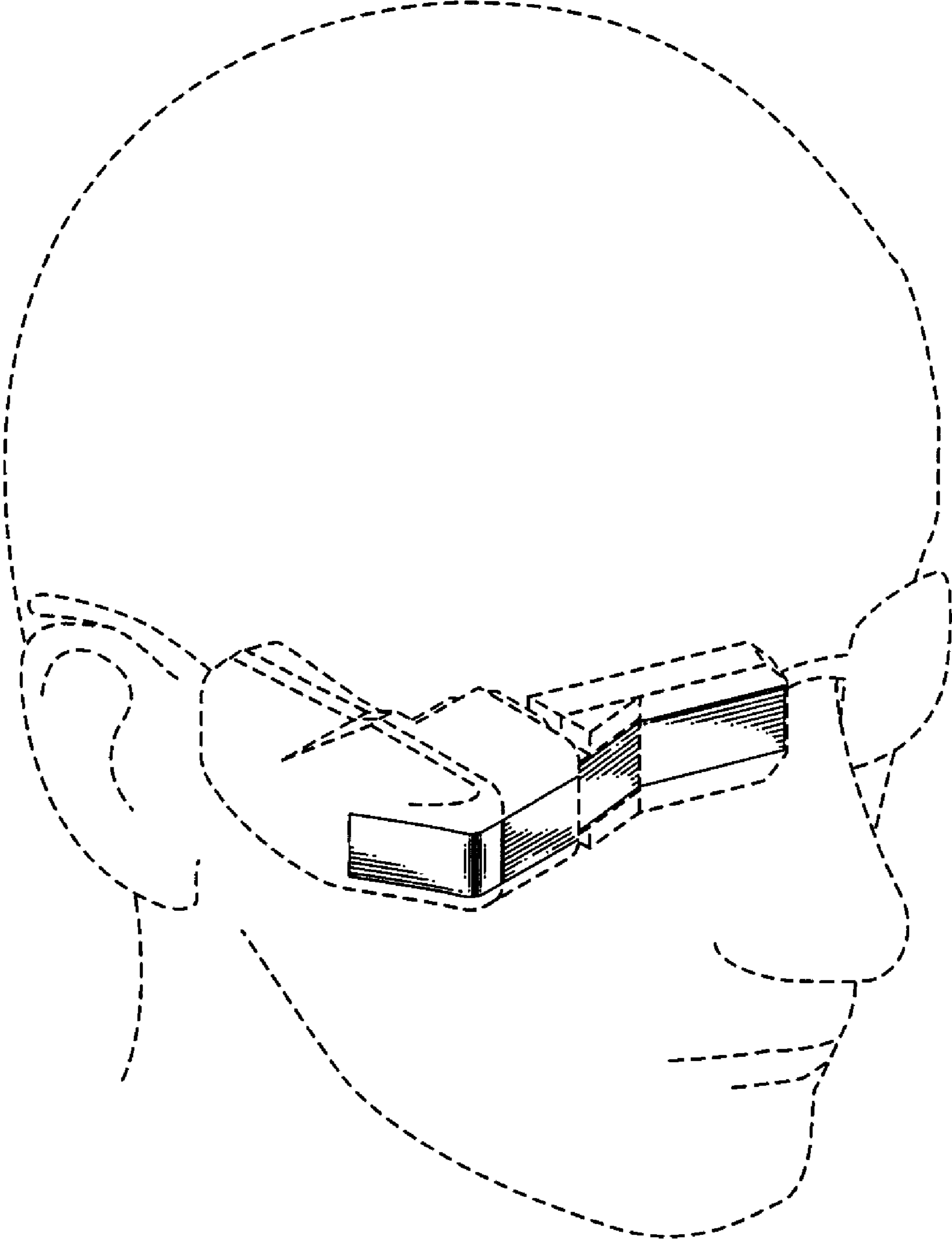


FIG. 4