



US00D537077S

(12) **United States Design Patent**
Ishitsuka et al.

(10) **Patent No.:** **US D537,077 S**

(45) **Date of Patent:** **** Feb. 20, 2007**

(54) **MAGNETIC CARTRIDGE TAPE STORAGE**

6,567,360 B1 * 5/2003 Kagawa 720/609
D490,081 S * 5/2004 Oura et al. D14/434

(75) Inventors: **Tadashi Ishitsuka**, Tokyo (JP); **Satoshi Wada**, Tokyo (JP)

FOREIGN PATENT DOCUMENTS

(73) Assignee: **NEC Corporation**, Tokyo (JP)

CA	88432	12/1999
DE	49903867.3	8/1999
JP	918041	1/1995
JP	918041-2	9/1996
JP	1073383	6/2000
JP	1239422	5/2005

(**) Term: **14 Years**

(21) Appl. No.: **29/241,202**

(22) Filed: **Oct. 25, 2005**

(30) **Foreign Application Priority Data**

Jun. 29, 2005 (JP) 2005-018829

OTHER PUBLICATIONS

U.S. Appl. No. 29/215,453, filed Oct. 20, 2004, NEC Corporation.

(51) **LOC (8) Cl.** **14-02**

* cited by examiner

(52) **U.S. Cl.** **D14/362**

Primary Examiner—Robin Webster

(58) **Field of Classification Search** D14/156,
D14/167, 125, 240, 243, 299, 301, 348-9,
D14/351-68, 136, 160; 379/413.04; 220/4.01-4.02;
361/679, 685-6

Assistant Examiner—Karen E. Patterson

(74) *Attorney, Agent, or Firm*—Seyfarth Shaw LLP

See application file for complete search history.

(57) **CLAIM**

The ornamental design for the magnetic cartridge tape storage, as shown and described.

(56) **References Cited**

DESCRIPTION

U.S. PATENT DOCUMENTS

D375,488 S	*	11/1996	Ikenaga	D14/357
D386,154 S	*	11/1997	Lee	D14/365
D416,239 S	*	11/1999	Nagase	D14/311
5,995,363 A	*	11/1999	Wu	361/679
6,061,233 A	*	5/2000	Jung	361/686
D429,706 S	*	8/2000	Miyazaki	D14/135
6,160,712 A	*	12/2000	Itai et al.	361/759
D450,670 S	*	11/2001	Ito et al.	D14/136
D463,385 S	*	9/2002	Takama	D14/136
D470,468 S	*	2/2003	Ota	D14/156
D471,543 S	*	3/2003	Yang et al.	D14/240

FIG. 1 is a perspective view of the magnetic cartridge tape storage showing our new design;
FIG. 2 is a front elevational view thereof;
FIG. 3 is a rear elevational view thereof;
FIG. 4 is a left-side elevational view thereof;
FIG. 5 is a right-side elevational view thereof;
FIG. 6 is a top plan view thereof; and,
FIG. 7 is a bottom plan view thereof.

1 Claim, 2 Drawing Sheets

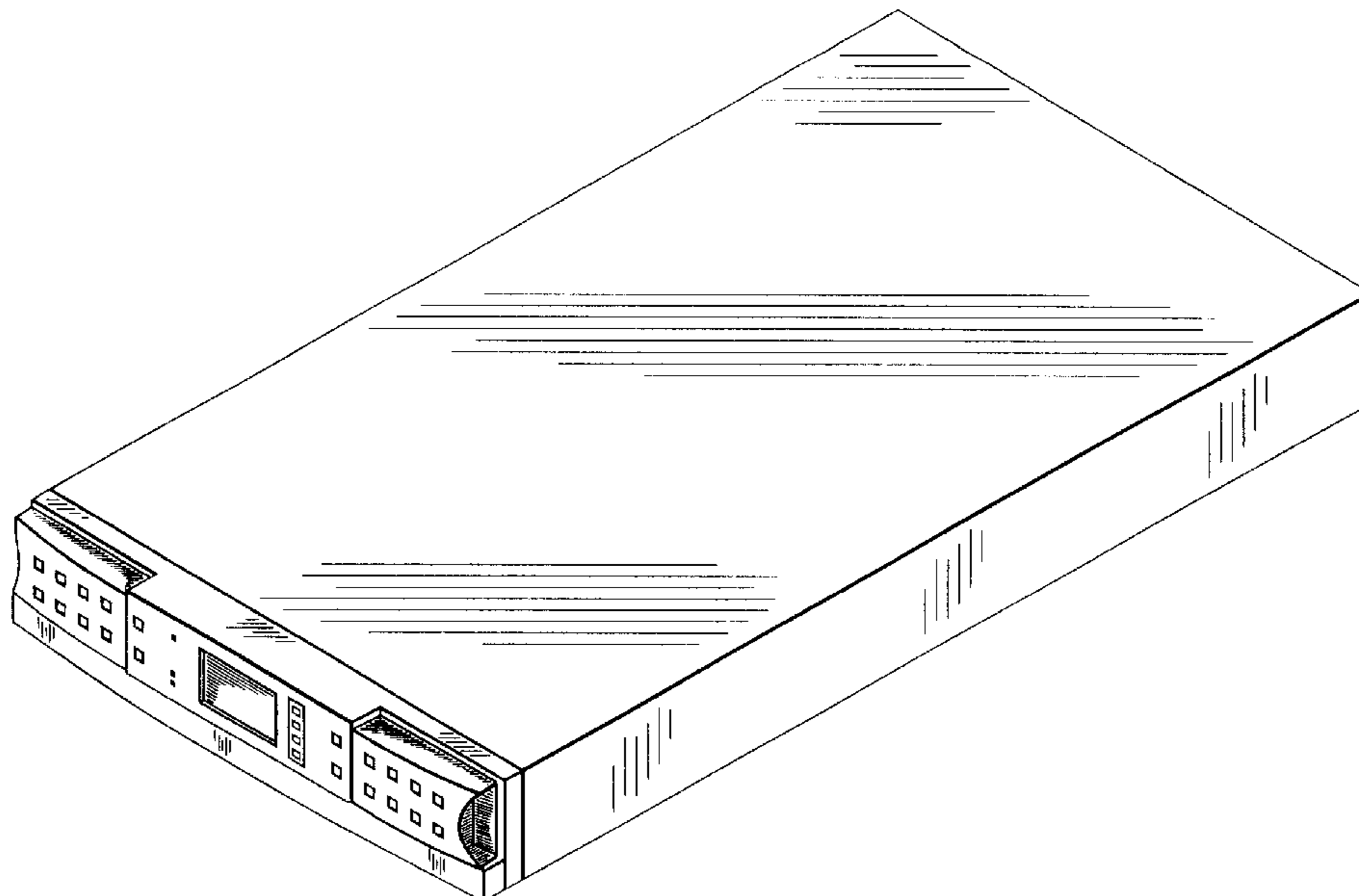


Fig. 1

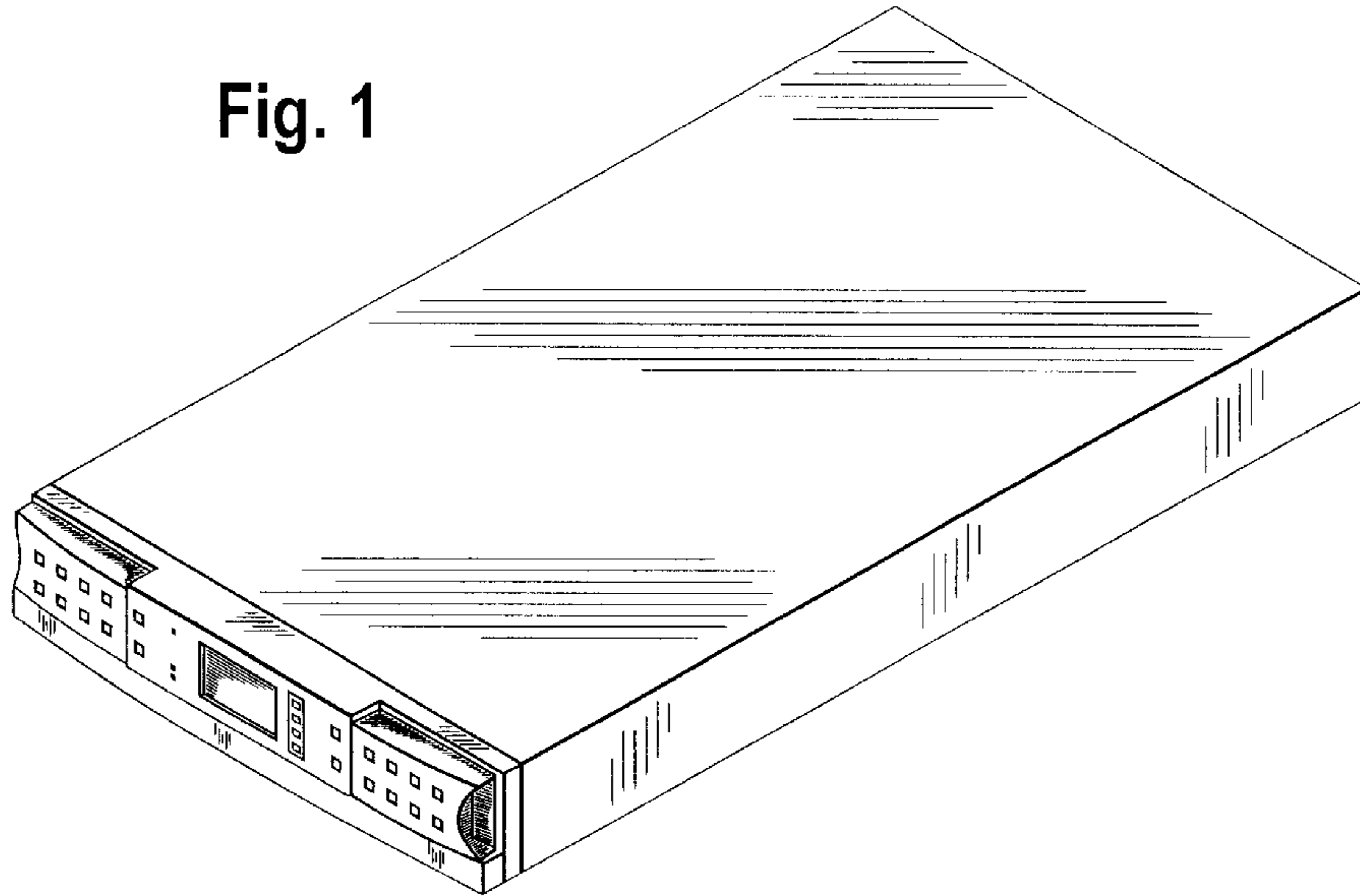


Fig. 2

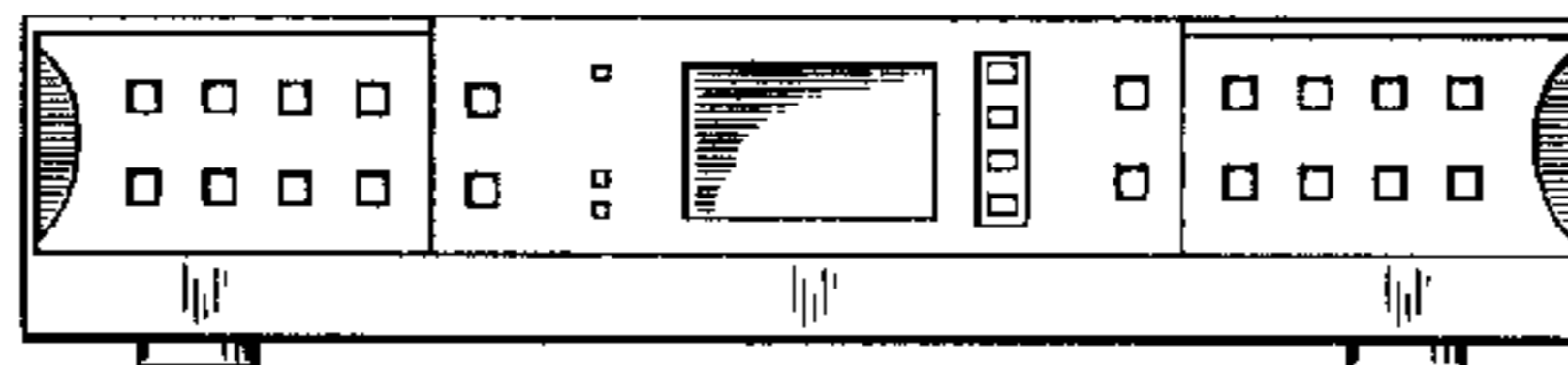


Fig. 3



Fig. 4

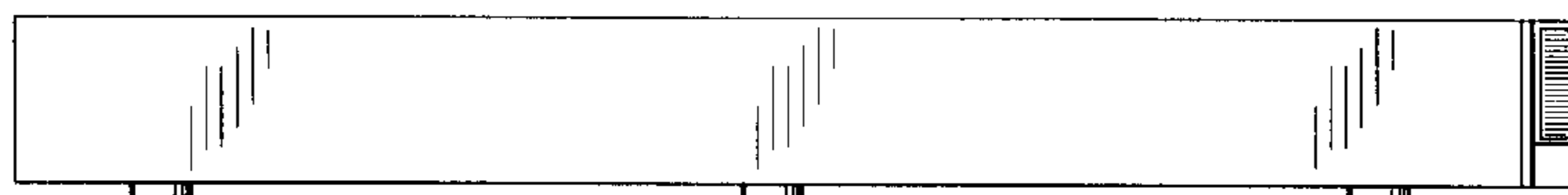


Fig. 5

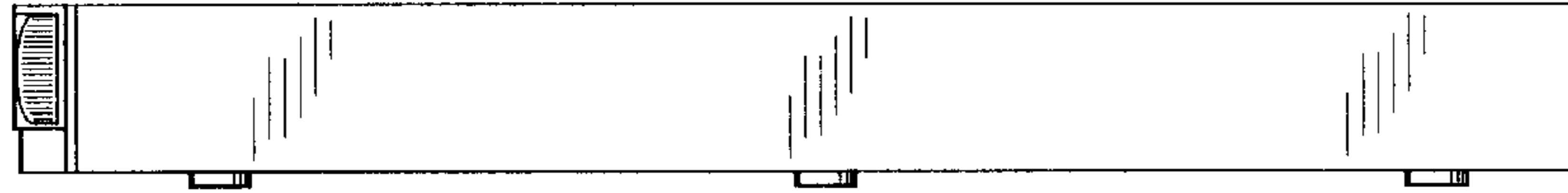


Fig. 6

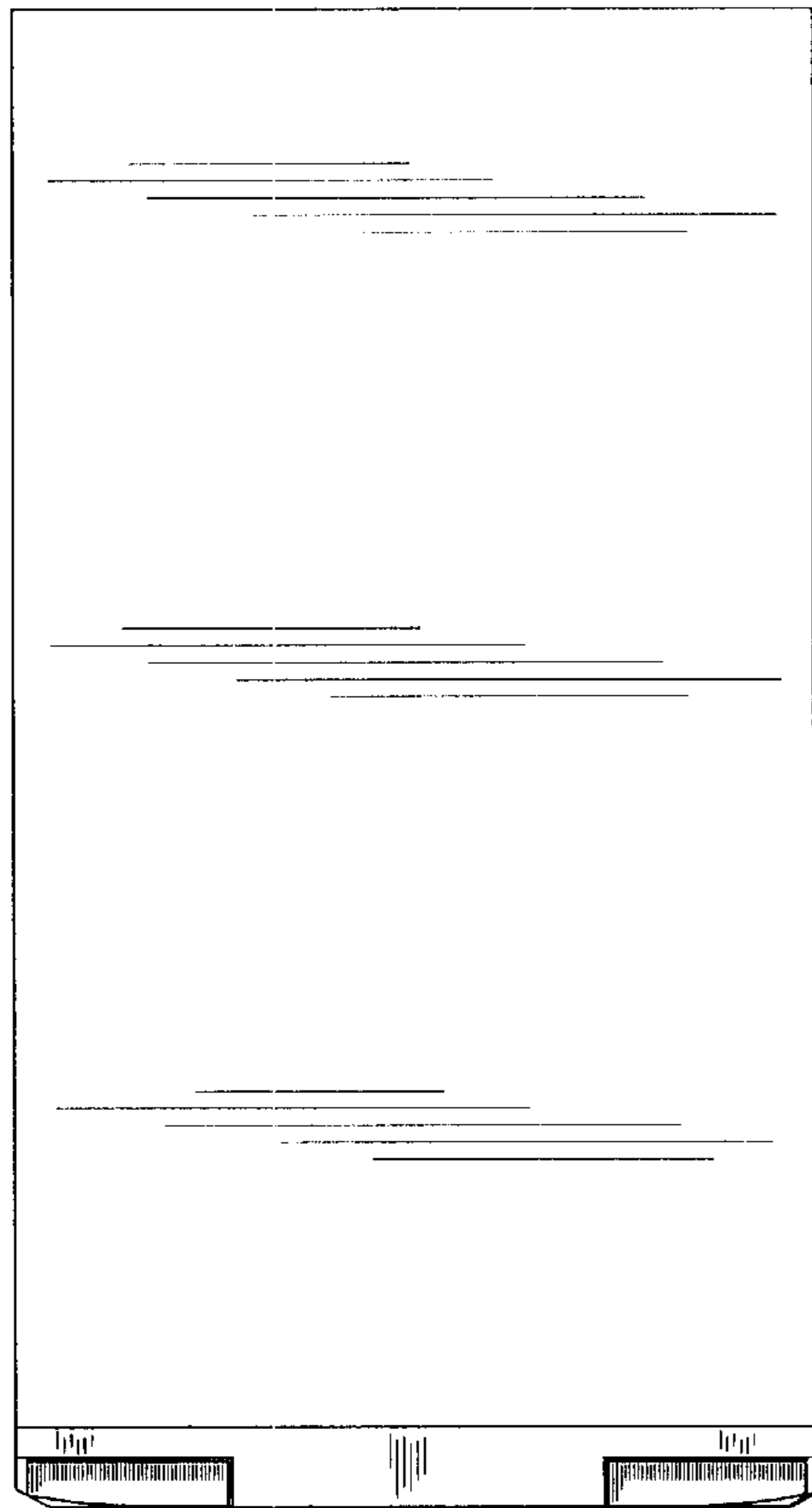


Fig. 7

