



US00D537075S

(12) **United States Design Patent** (10) **Patent No.:** **US D537,075 S**
Helin (45) **Date of Patent:** **** Feb. 20, 2007**

(54) **SET OF KEY BUTTONS FOR A COMMUNICATOR**
(75) Inventor: **Totti Helin**, Helsinki (FI)
(73) Assignee: **Nokia Corporation**, Espoo (FI)
(**) Term: **14 Years**

D498,752 S * 11/2004 Kagami et al. D14/248
D501,470 S * 2/2005 Yau et al. D14/248
D507,563 S * 7/2005 Moss D14/247
D514,539 S * 2/2006 Lai et al. D14/138
D514,555 S * 2/2006 Daw D14/247
D515,543 S * 2/2006 Shintani D14/138
D518,807 S * 4/2006 Choi et al. D14/138
D519,094 S * 4/2006 Helin D14/138
2005/0277435 A1 * 12/2005 Park et al. 455/550.1

(21) Appl. No.: **29/211,451**

FOREIGN PATENT DOCUMENTS

(22) Filed: **Aug. 17, 2004**

EM 000104328-0001 1/2004
EM 000104328-0002 1/2004
EM 000104328-0003 1/2004
EM 000104328-0004 1/2004
EM 000104328-0005 1/2004
WO DM/066460 * 3/2005

(30) **Foreign Application Priority Data**

Feb. 17, 2004 (FI) M20040021

(51) **LOC (8) Cl.** **14-03**
(52) **U.S. Cl.** **D14/247**
(58) **Field of Classification Search** D14/137,
D14/138, 147-148, 247-248, 144, 218, 341-347,
D14/455, 456; 379/433.01-433.13, 434;
455/575.1, 566, 556.1; D21/517, 329, 331;
345/169

See application file for complete search history.

* cited by examiner

Primary Examiner—Jeffrey Asch
(74) *Attorney, Agent, or Firm*—Banner & Witcoff, Ltd.

(57) **CLAIM**

The ornamental design for a set of key buttons for a communicator, thereof as shown and described.

(56) **References Cited**

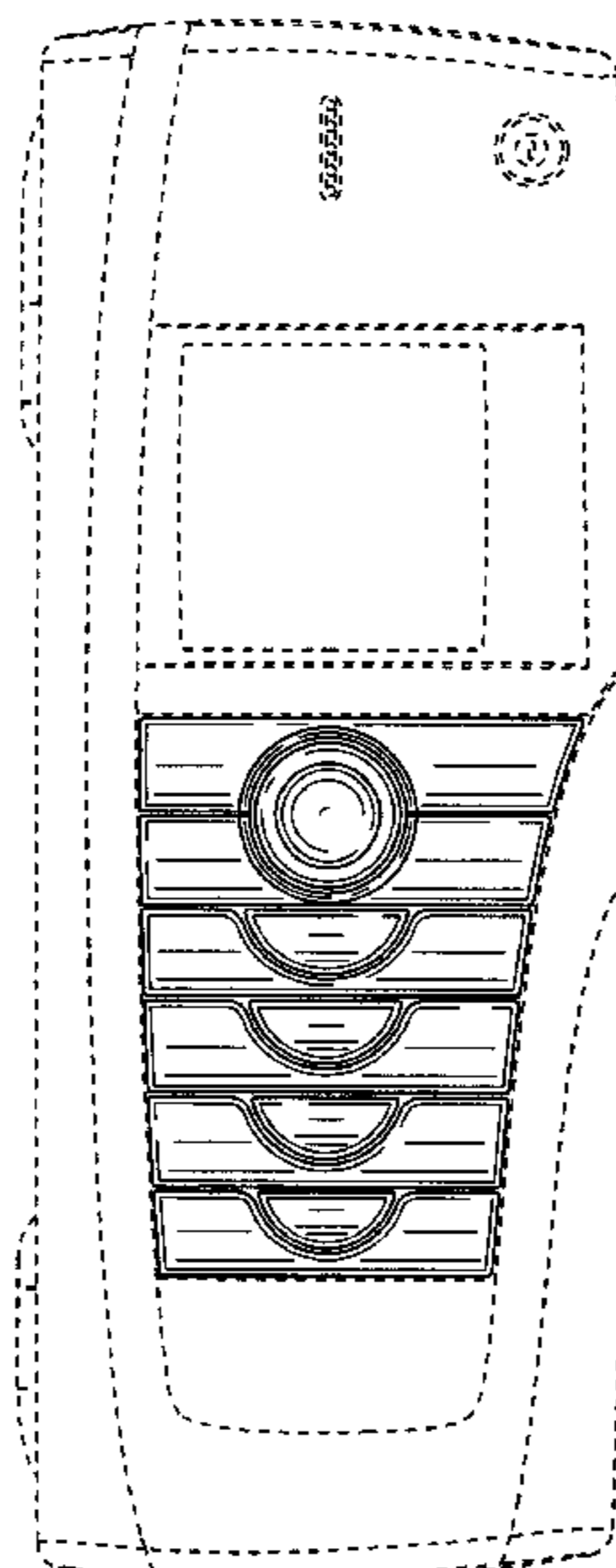
U.S. PATENT DOCUMENTS

D392,968 S 3/1998 Johansson
D408,397 S * 4/1999 Renard D14/138
D416,255 S 11/1999 Johansson
D447,740 S 9/2001 Johansson
D459,332 S * 6/2002 Peiker D14/147
D459,717 S 7/2002 Bohne
D480,057 S * 9/2003 Ho-Cheun et al. D14/138
D484,873 S * 1/2004 Salmi D14/247
D487,886 S * 3/2004 Ho-Cheun et al. D14/138
D491,930 S * 6/2004 Widiaman D14/247
D492,276 S * 6/2004 Walliser et al. D14/138
D492,298 S * 6/2004 Lee et al. D14/248
D498,223 S * 11/2004 Ho et al. D14/138
D498,473 S * 11/2004 Sheu D14/247

DESCRIPTION

FIG. 1 is a front view of a first embodiment of a key button arrangement for a communicator showing my new design; FIG. 2 is a perspective front view thereof; FIG. 3 is a front view of a second embodiment of a key button arrangement for a communicator showing my new design; and, FIG. 4 is a perspective front view thereof. The broken line showing of the remainder of the keypad in FIGS. 3-4 and the remainder of the communicator in FIGS. 1-2 is for illustrative purposes only and forms no part of the claimed design.

1 Claim, 3 Drawing Sheets



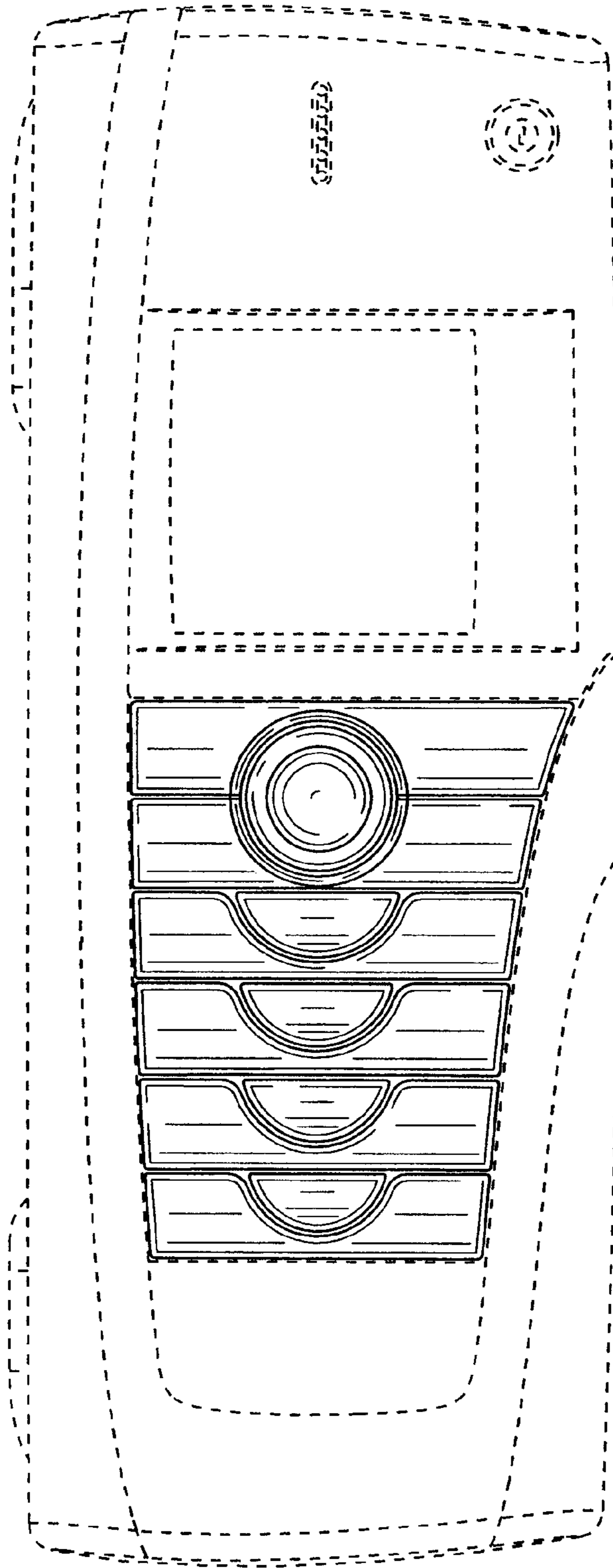


FIG. 1

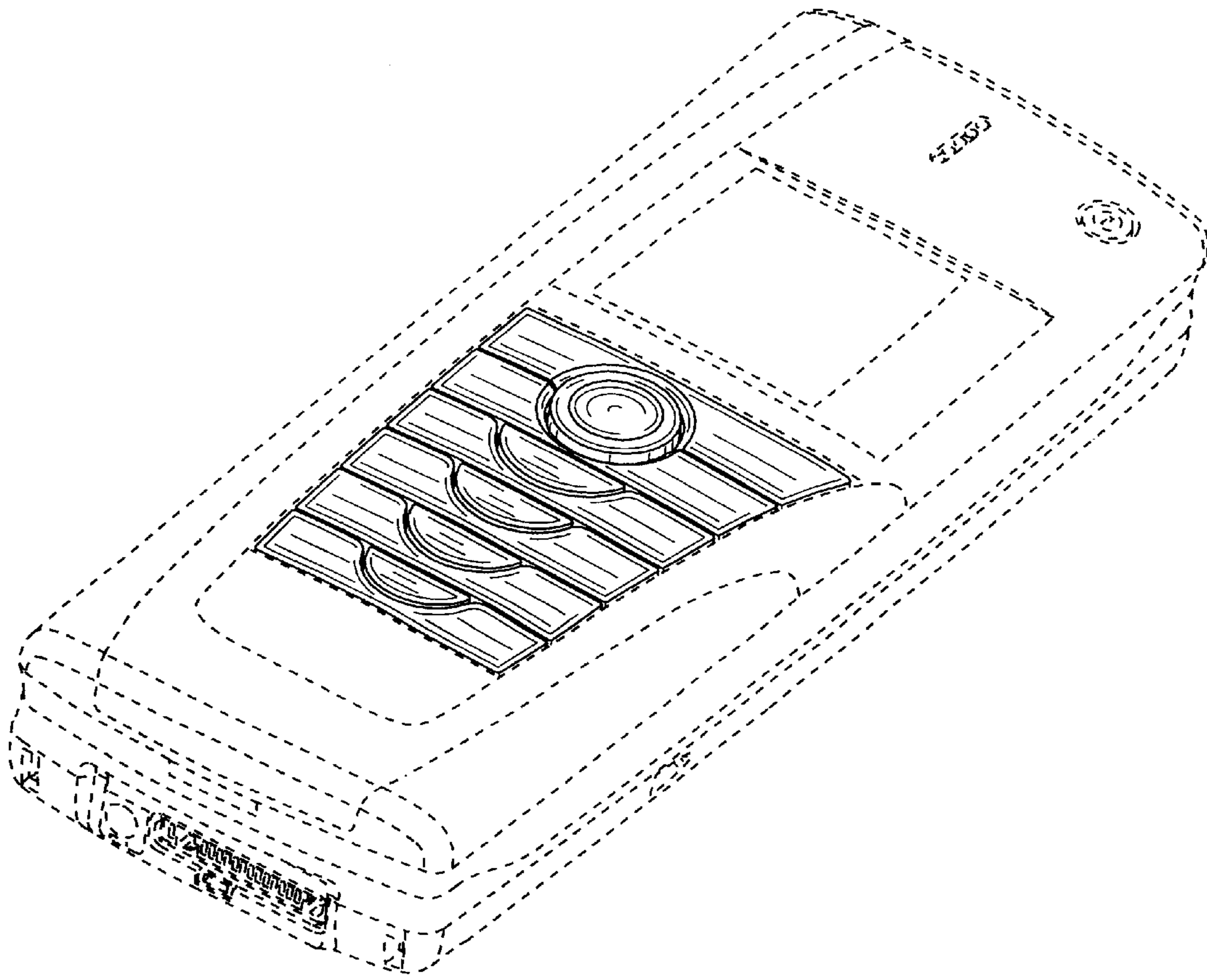


FIG. 2

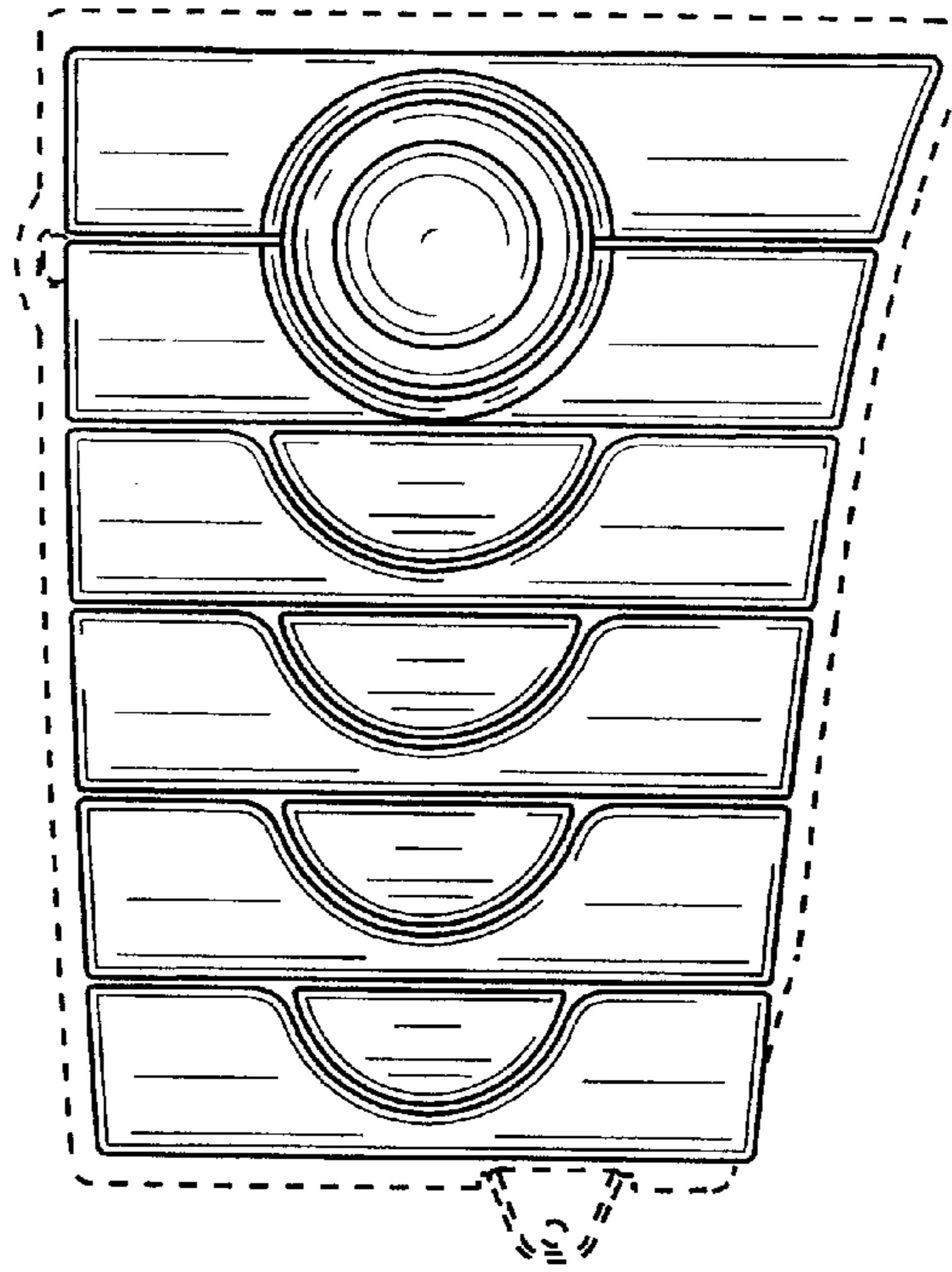


FIG. 3

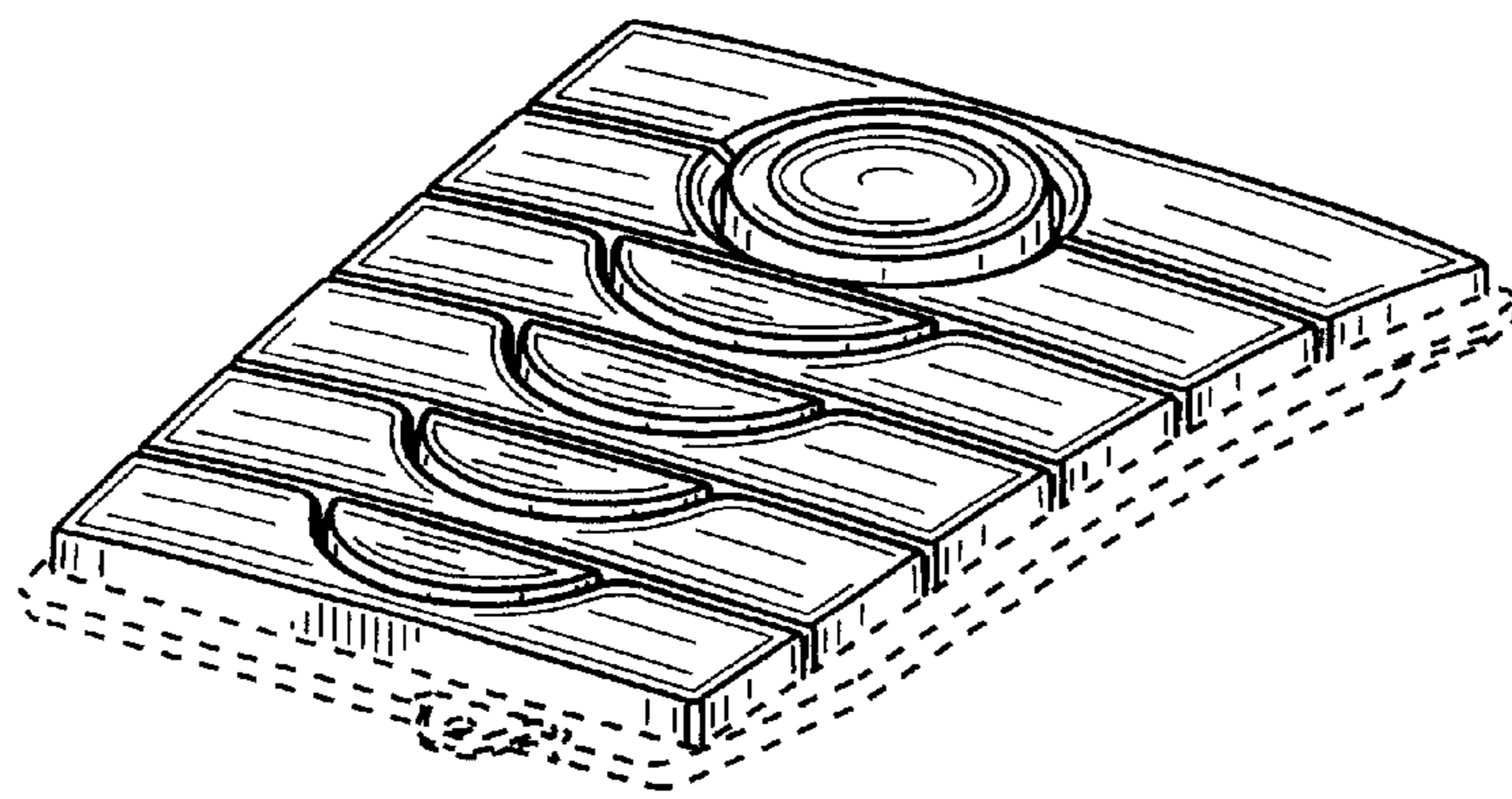


FIG. 4