



US00D537074S

(12) **United States Design Patent**  
**Andre et al.**

(10) **Patent No.:** **US D537,074 S**  
(45) **Date of Patent:** **\*\* Feb. 20, 2007**

(54) **DEVICE HARNESS**

(75) Inventors: **Bartley K. Andre**, Menlo Park, CA (US); **Daniel J. Coster**, San Francisco, CA (US); **Daniele De Iuliis**, San Francisco, CA (US); **Richard P. Howarth**, San Francisco, CA (US); **Jonathan P. Ive**, San Francisco, CA (US); **Duncan Robert Kerr**, San Francisco, CA (US); **Shin Nishibori**, San Francisco, CA (US); **Matthew Dean Rohrbach**, San Francisco, CA (US); **Douglas B. Satzger**, Menlo Park, CA (US); **Calvin Q. Seid**, Palo Alto, CA (US); **Christopher J. Stringer**, Portola Valley, CA (US); **Eugene Antony Whang**, San Francisco, CA (US)

(73) Assignee: **Apple Computer, Inc.**, Cupertino, CA (US)

(\*\*) Term: **14 Years**

(21) Appl. No.: **29/257,102**

(22) Filed: **Mar. 28, 2006**

**Related U.S. Application Data**

(62) Division of application No. 29/212,168, filed on Aug. 26, 2004, now Pat. No. Des. 527,723.

(51) **LOC (8) Cl.** ..... **14-03**

(52) **U.S. Cl.** ..... **D14/217; D14/496**

(58) **Field of Classification Search** ..... D14/496, D14/432, 433, 447, 454, 299, 217, 251, 224; 273/148 B, 148 A; 463/1, 29-35, 46, 47; 24/164, 165, 183; 224/901.2, 901.4, 901.8, 224/929, 930, 908, 578, 579, 279; D3/207, D3/327, 328, 318; D29/101.1, 101.2  
See application file for complete search history.

(56) **References Cited**

**U.S. PATENT DOCUMENTS**

4,419,794 A \* 12/1983 Horton et al. .... 24/667

4,649,570 A 3/1987 Terbrack et al.  
5,194,987 A 3/1993 Moore et al.  
5,379,491 A 1/1995 Solo  
5,640,459 A 6/1997 Hedeem  
D423,783 S 5/2000 Steurer  
6,059,156 A \* 5/2000 Lehtinen ..... 224/197  
6,135,450 A 10/2000 Huang et al.

(Continued)

*Primary Examiner*—Prabhakar Deshmukh  
(74) *Attorney, Agent, or Firm*—Beyer Weaver & Thomas, LLP

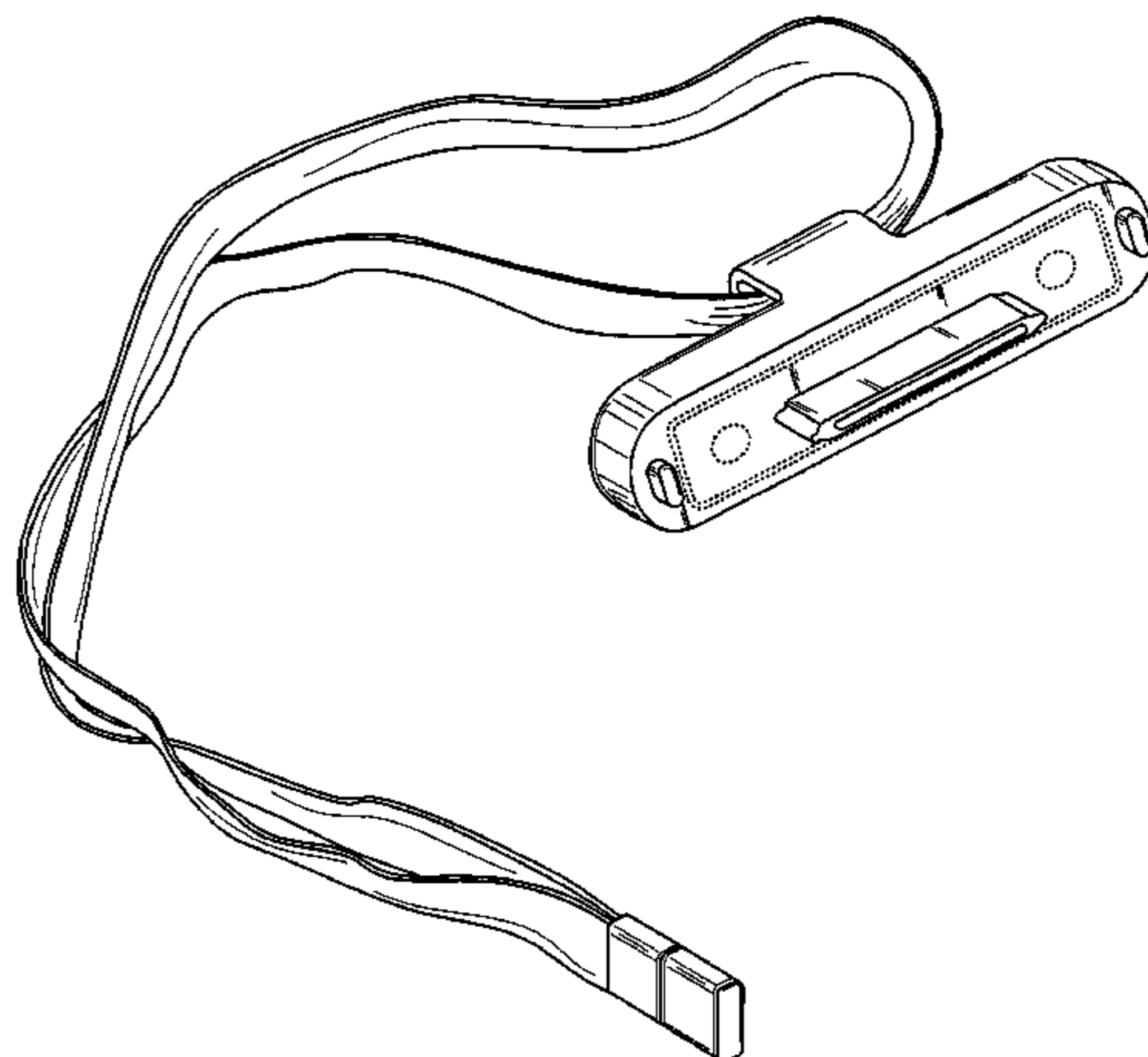
(57) **CLAIM**

We claim the ornamental design for a device harness, substantially as shown and described.

**DESCRIPTION**

FIG. 1 is a perspective view of a device harness showing our new design;  
FIG. 2 is a top plan view thereof, with an end portion of cord of the device harness being removed;  
FIG. 3 is a bottom plan view of FIG. 2;  
FIG. 4 is a front elevational view of FIG. 2;  
FIG. 5 is a rear elevational view of FIG. 2;  
FIG. 6 is a right side elevational view of FIG. 2;  
FIG. 7 is a left side elevational view of FIG. 2;  
FIG. 8 is a top view of an end portion of the cord of the device harness, the bottom plan view being a mirror image thereof;  
FIG. 9 is a rear elevational view of FIG. 8;  
FIG. 10 is a side elevational view of FIG. 8;  
FIG. 11 is an exploded front elevational view thereof, showing the device harness in it's environmental use, shown without cord; and,  
FIG. 12 is a front elevational view of FIG. 11, with device harness shown in attached condition with an electronic device.  
The broken lines showing of an electronic device is for illustrative purpose only and form no part of the claimed design. The length of the cord in FIGS. 2-10 has been shown in fragmentation for ease of illustration.

**1 Claim, 3 Drawing Sheets**



# US D537,074 S

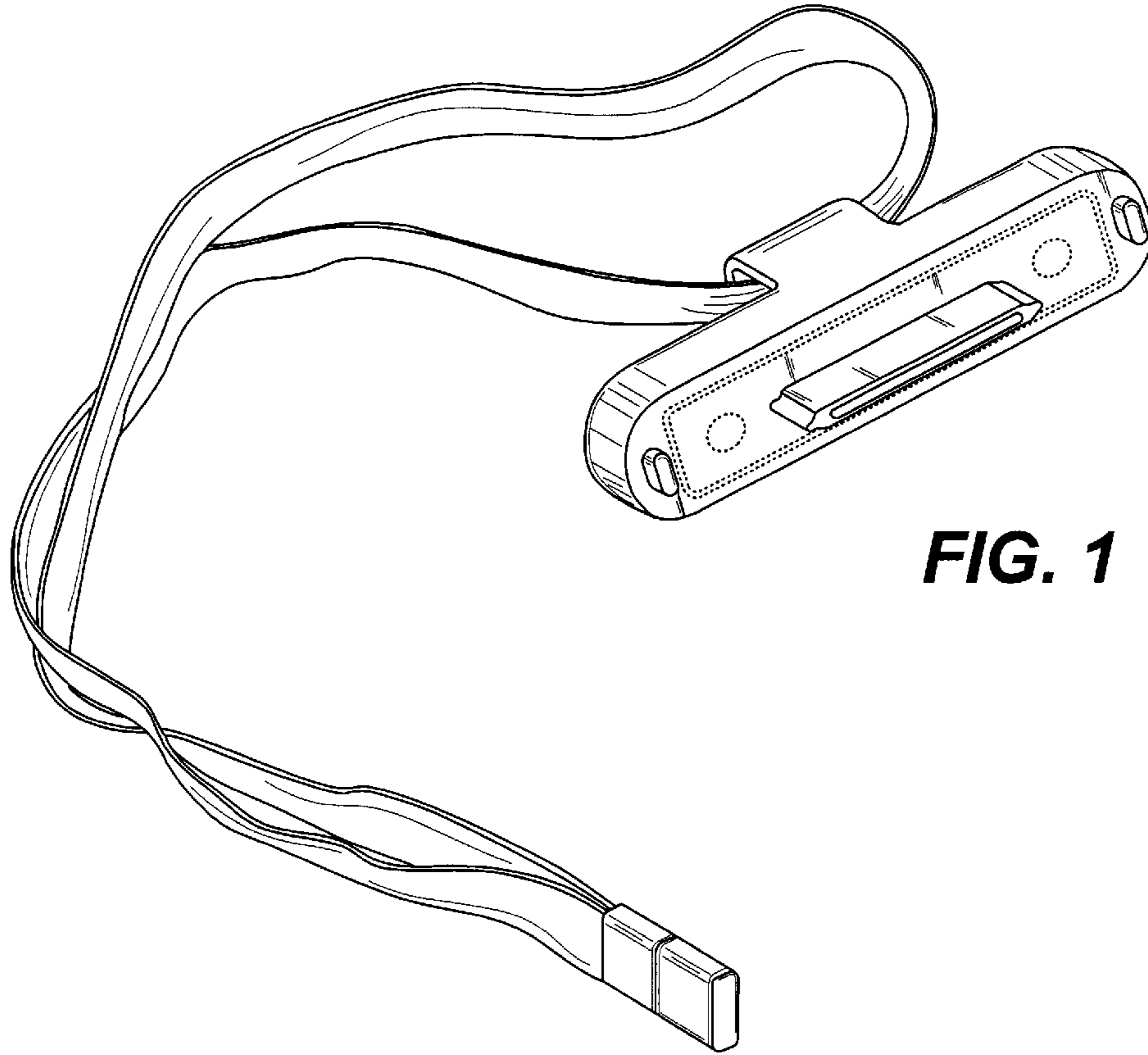
Page 2

---

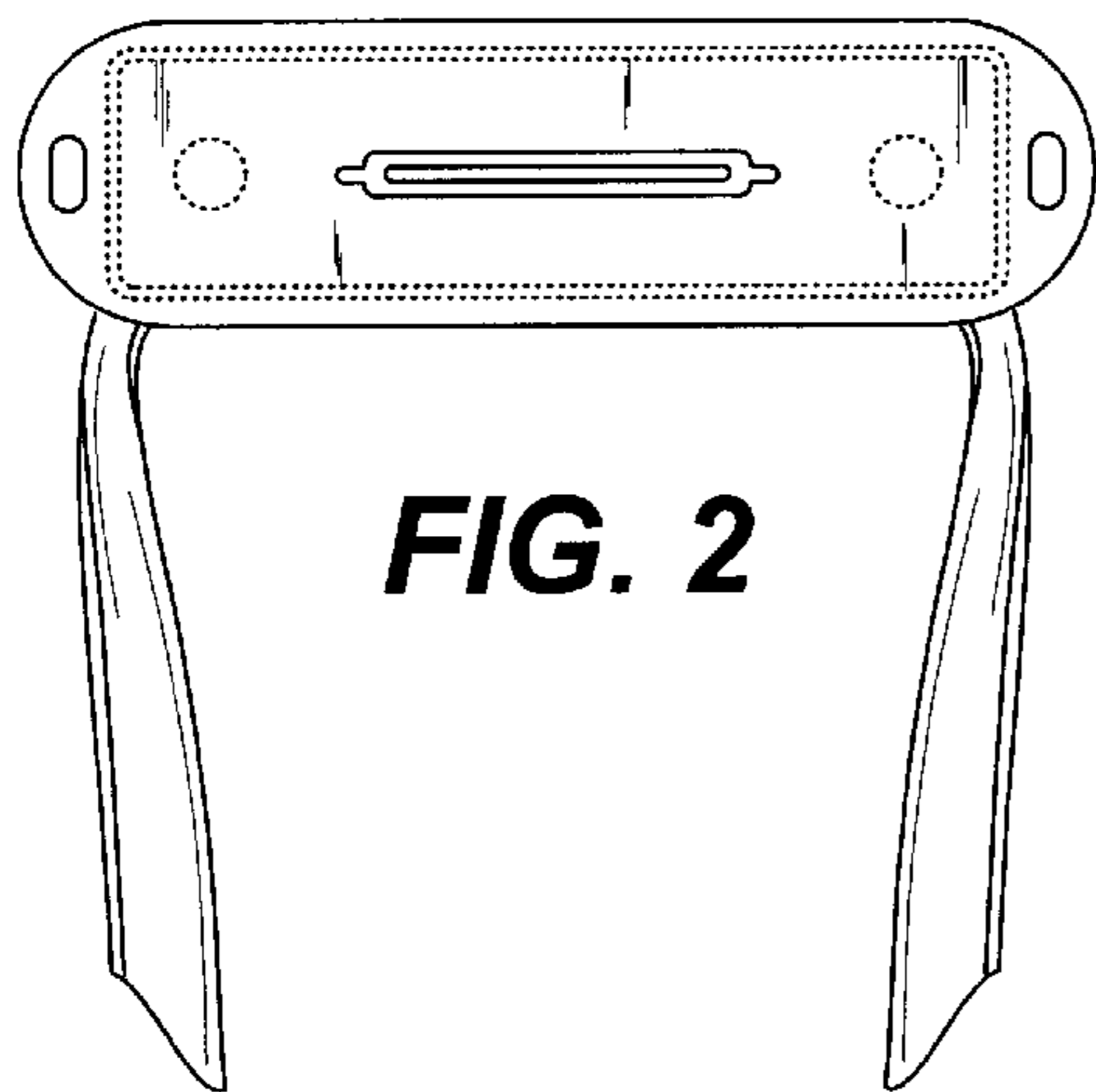
## U.S. PATENT DOCUMENTS

D437,485 S	2/2001	Hicks et al.	6,711,785 B1	3/2004	Hicks et al.	
D455,431 S	4/2002	Freitag et al.	D490,813 S	6/2004	Hussaini et al.	
D457,308 S *	5/2002	Infanti ..... D3/218	6,752,299 B2 *	6/2004	Shetler et al. ....	224/197
D462,523 S	9/2002	Kalbach	6,772,485 B2	8/2004	Alpert	
D467,416 S	12/2002	Kalbach	6,776,317 B1	8/2004	Parker	
D471,912 S	3/2003	Camarota et al.	6,834,621 B1 *	12/2004	O'Neill ..... 119/771	
6,550,108 B2	4/2003	Pratl	6,871,732 B2	3/2005	Flint et al.	
6,629,628 B1	10/2003	Canepari et al.	D507,273 S	7/2005	Ibuki	
6,675,446 B2	1/2004	Buettell	7,059,503 B2 *	6/2006	Andersen ..... 224/579	

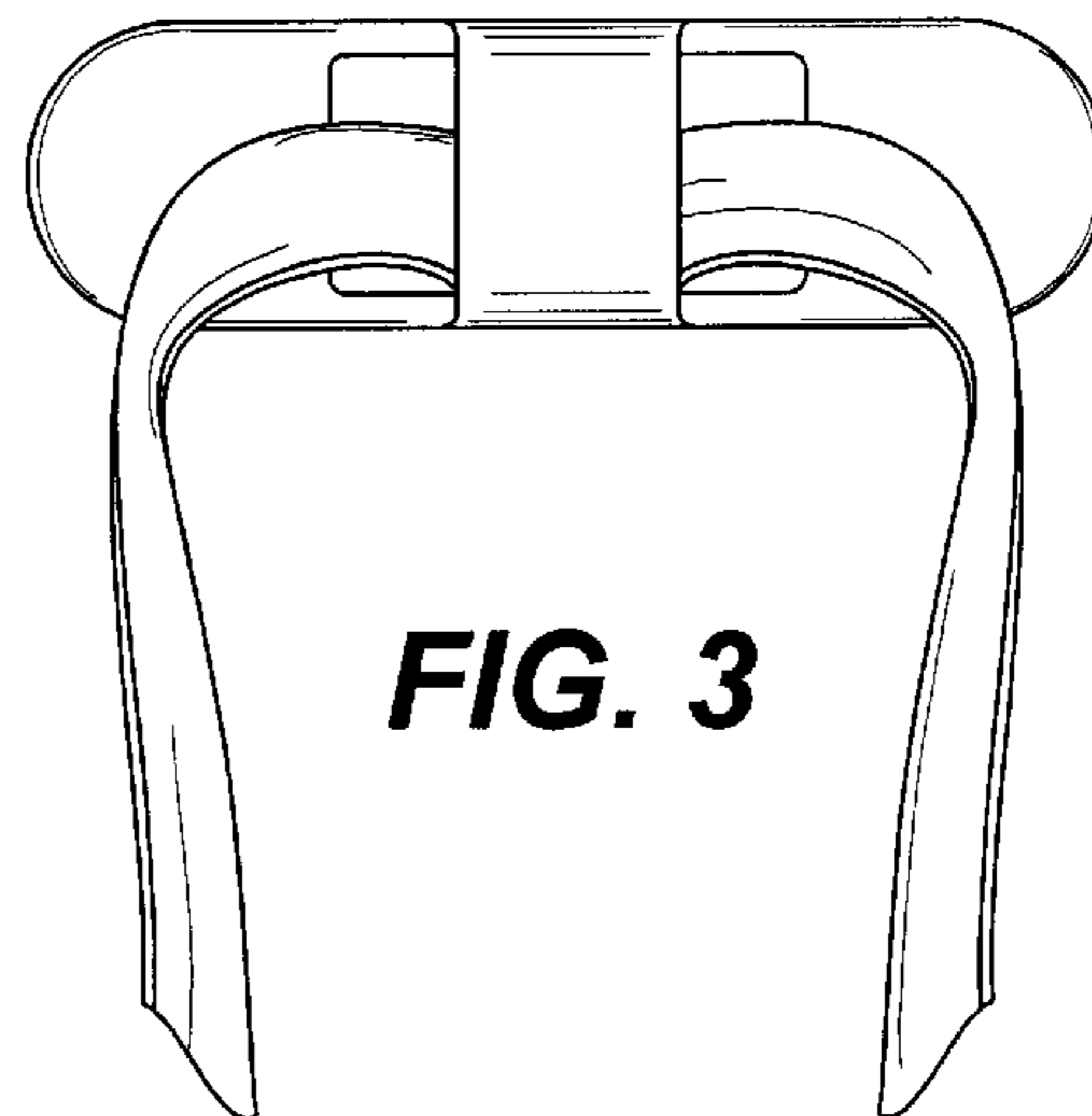
\* cited by examiner



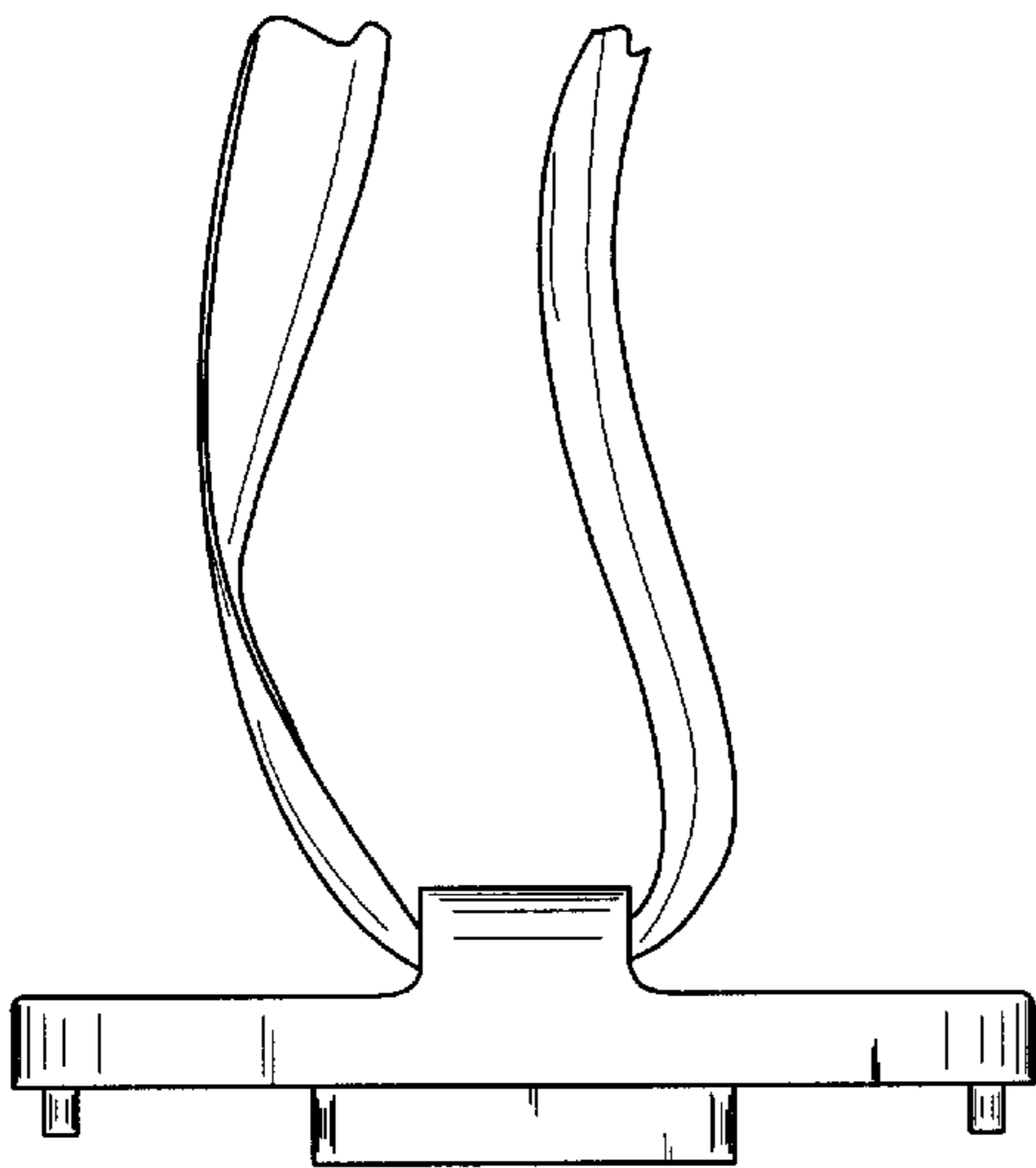
**FIG. 1**



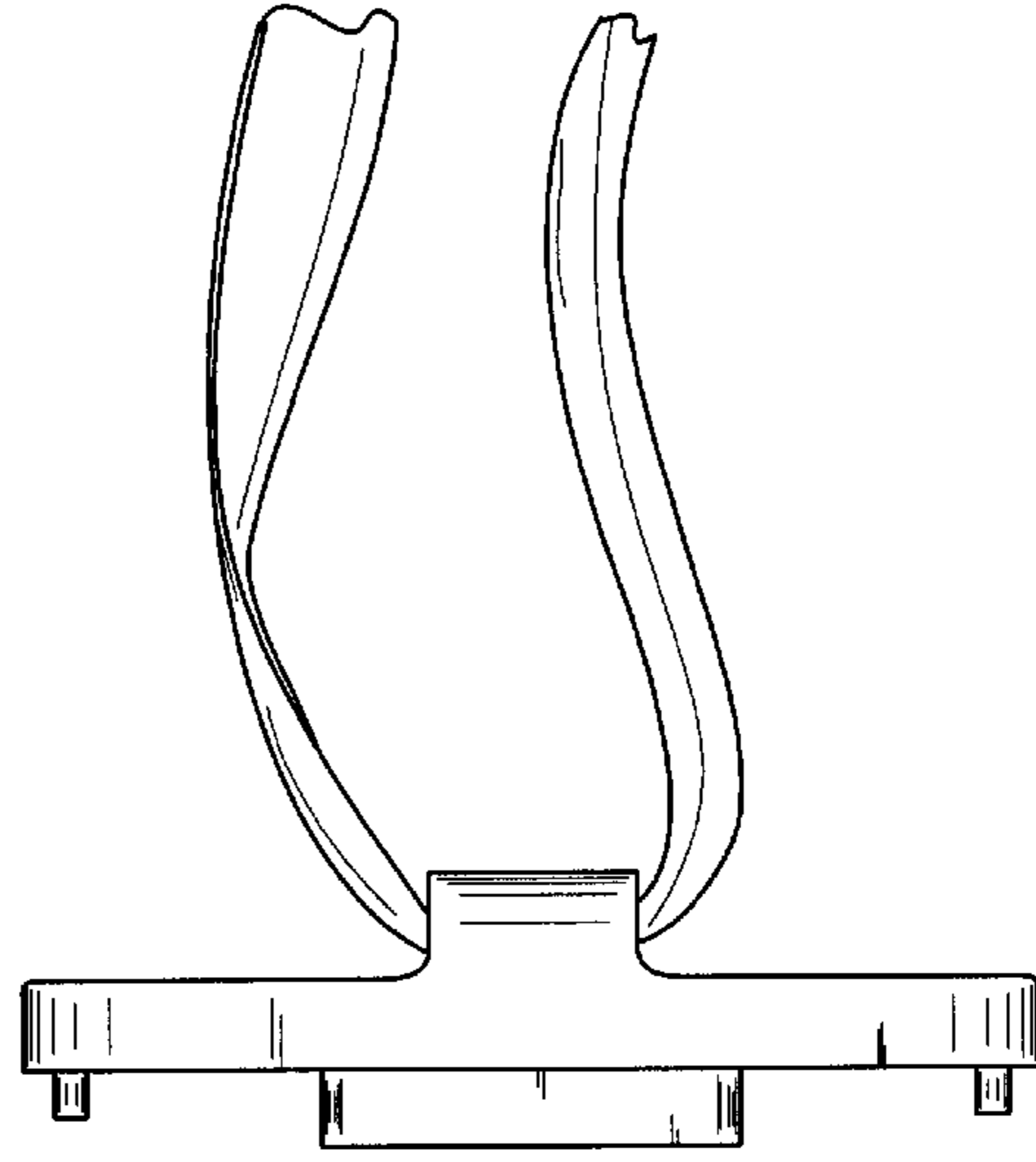
**FIG. 2**



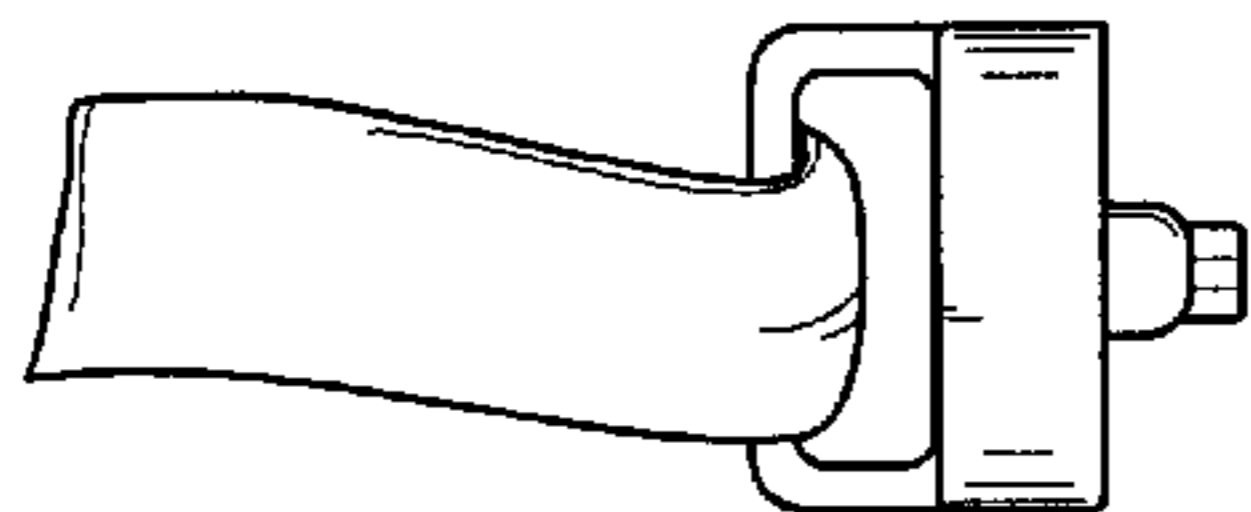
**FIG. 3**



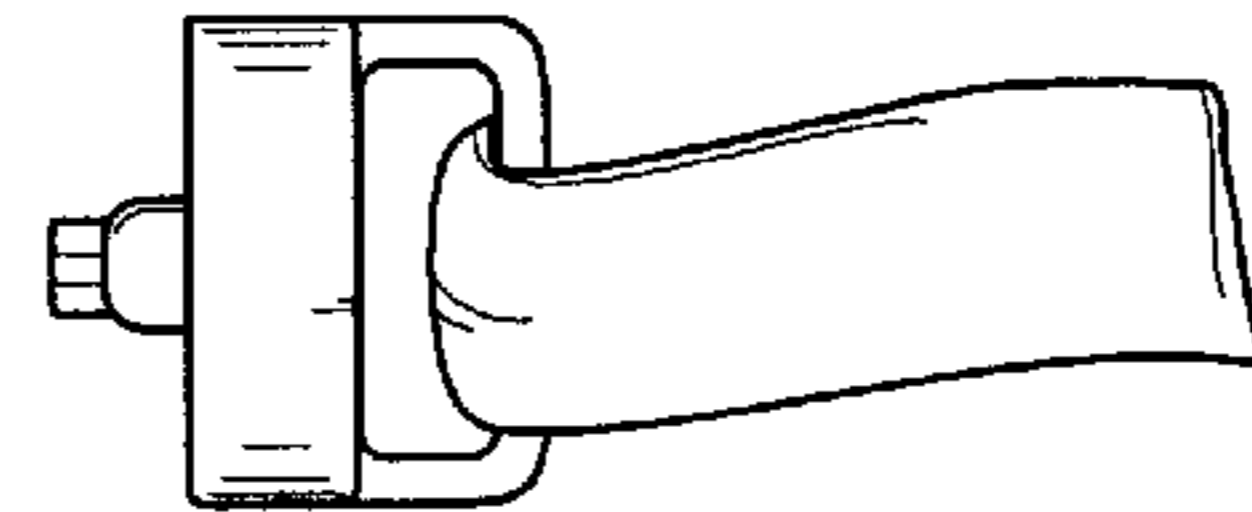
**FIG. 4**



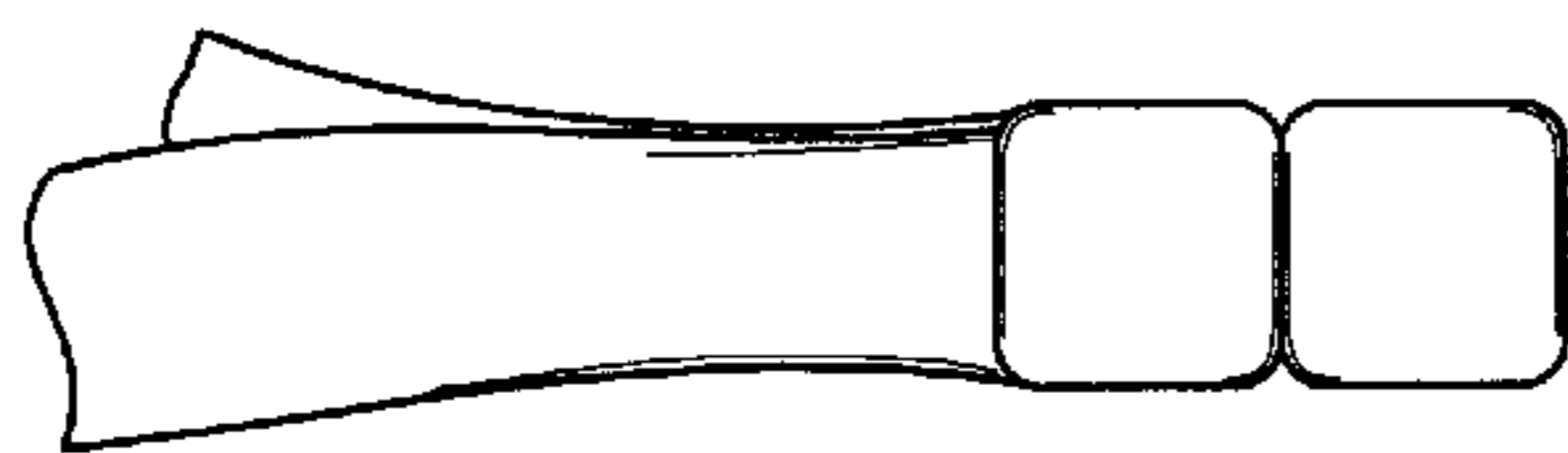
**FIG. 5**



**FIG. 6**



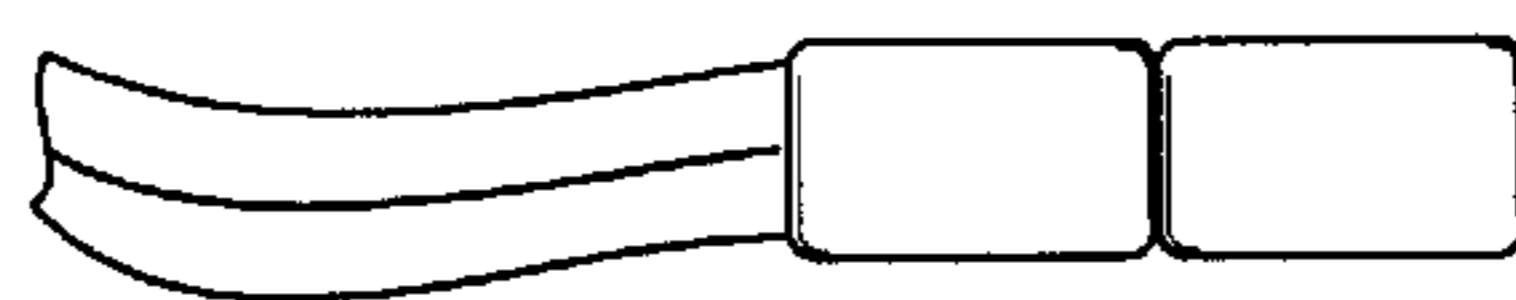
**FIG. 7**



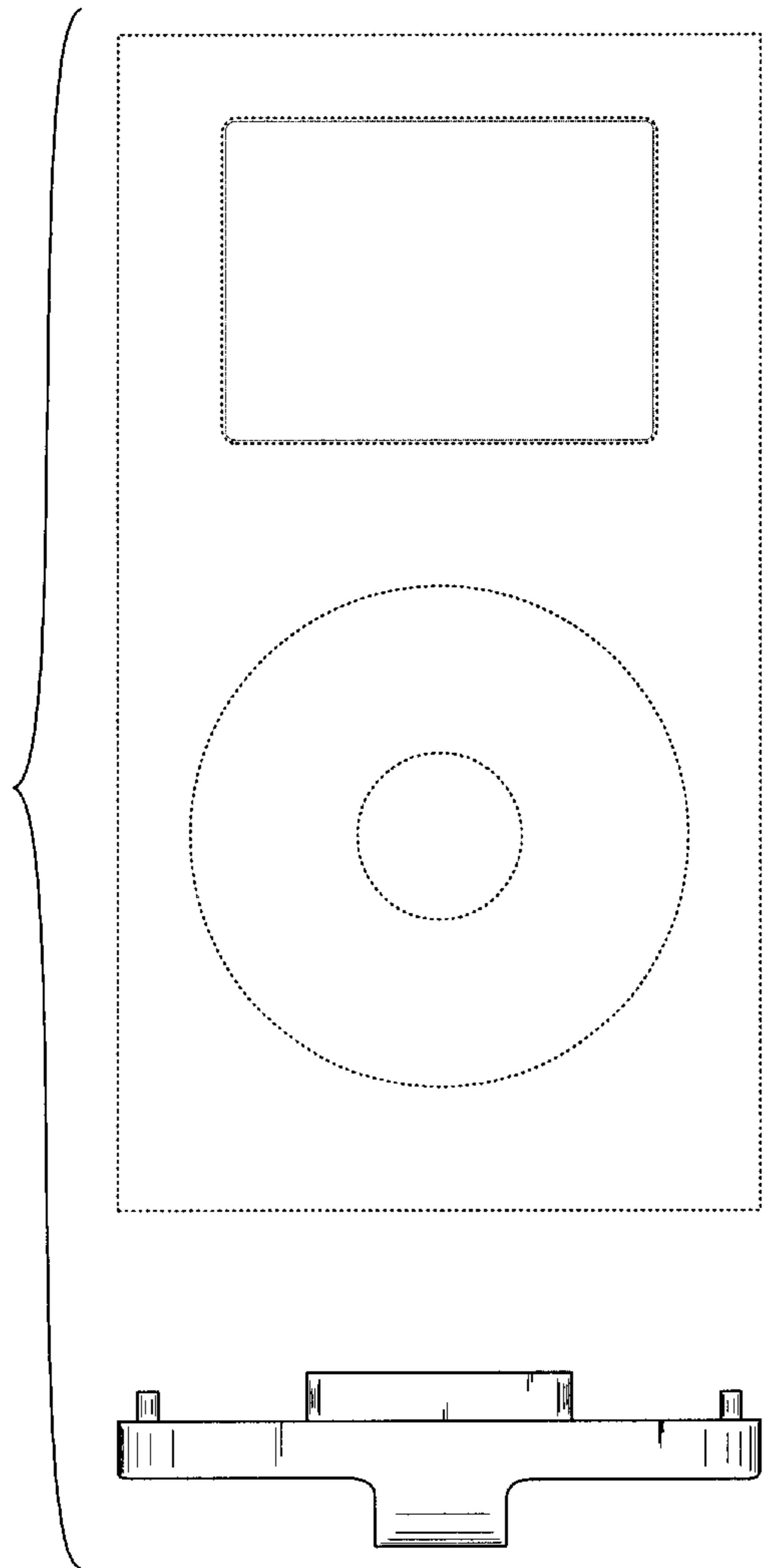
**FIG. 8**



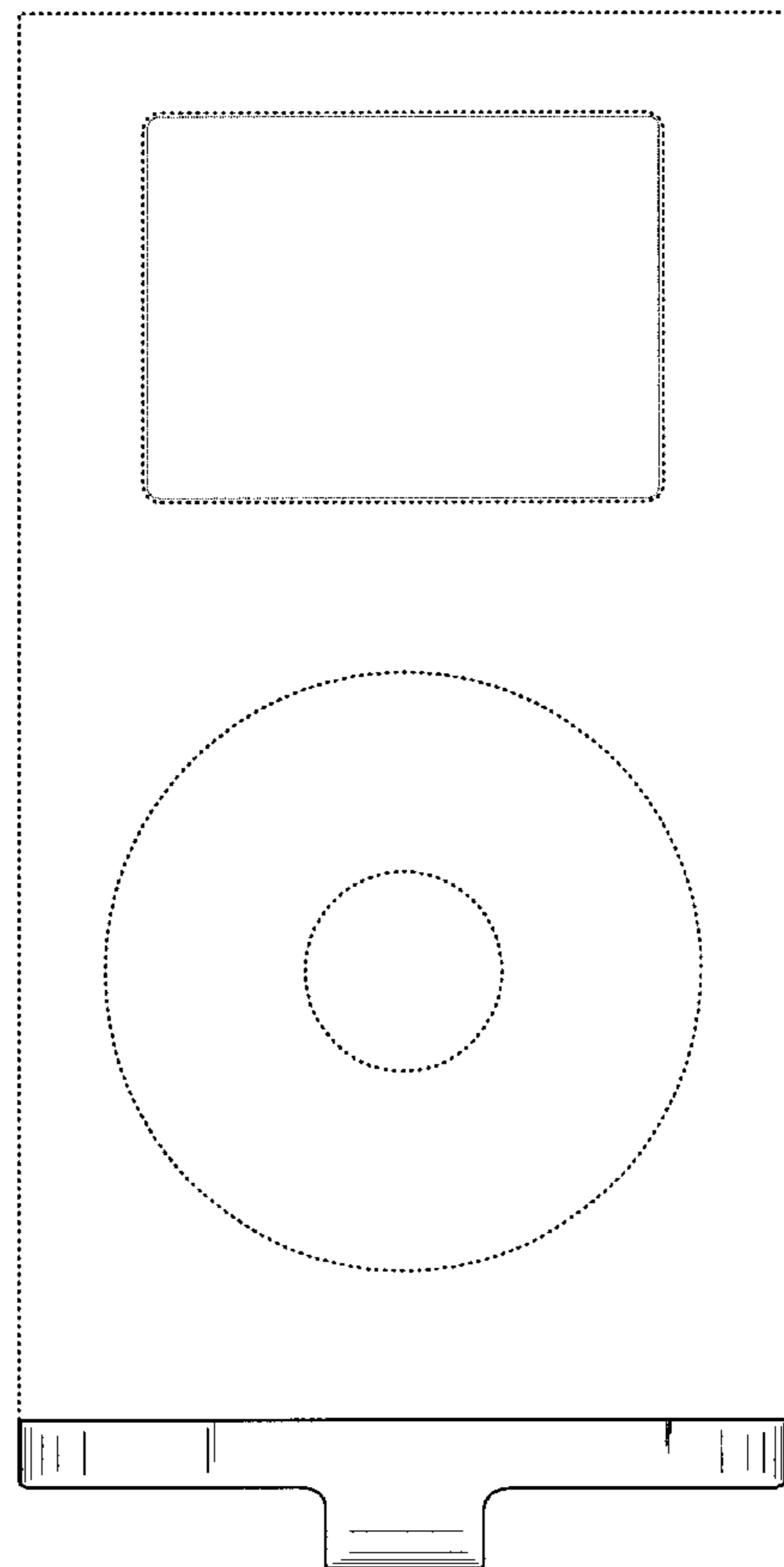
**FIG. 9**



**FIG. 10**



**FIG. 11**



**FIG. 12**