



US00D537072S

(12) **United States Design Patent**
Kim et al.

(10) **Patent No.: US D537,072 S**

(45) **Date of Patent: ** Feb. 20, 2007**

(54) **SPEAKER**

(75) Inventors: **Young-Soo Kim**, Goyang-si (KR);
Sung-Hoon Hong, Suwon-si (KR);
Beom-Ku Han, Seoul (KR);
Chang-Hwan Hwang, Goyang-si (KR)

(73) Assignee: **Samsung Electronics Co., Ltd.**,
Suwon-Si (KR)

(**) Term: **14 Years**

(21) Appl. No.: **29/245,749**

(22) Filed: **Dec. 29, 2005**

(30) **Foreign Application Priority Data**

Jul. 18, 2005 (KR) 30-2005-0024054

(51) **LOC (8) Cl.** **14-01**

(52) **U.S. Cl.** **D14/215**

(58) **Field of Classification Search** D14/204,
D14/207, 209–216, 137, 150, 240, 243; 181/143–144,
181/147–148, 150, 157, 198–199, 151, 153;
381/300–302, 306, 333, 345, 361–364, 386–388,
381/332, 336

See application file for complete search history.

(56) **References Cited**

U.S. PATENT DOCUMENTS

D288,560 S * 3/1987 Anderson D14/212

D315,562 S * 3/1991 Brown D14/213
D346,598 S * 5/1994 McCay et al. D14/137
D474,169 S * 5/2003 Fletcher D14/243
D482,020 S * 11/2003 Olson et al. D14/216
D495,676 S * 9/2004 Slevin et al. D14/150

* cited by examiner

Primary Examiner—Nanda Bondade

(74) *Attorney, Agent, or Firm*—Staas & Halsey LLP

(57) **CLAIM**

The ornamental design for the speaker, as shown and described.

DESCRIPTION

FIG. 1 is a perspective view of the speaker showing our design;

FIG. 2 is a front view thereof;

FIG. 3 is a rear view thereof;

FIG. 4 is a left side view thereof;

FIG. 5 is a right side view thereof;

FIG. 6 is a top plan view thereof; and,

FIG. 7 is a bottom plan view thereof.

1 Claim, 3 Drawing Sheets

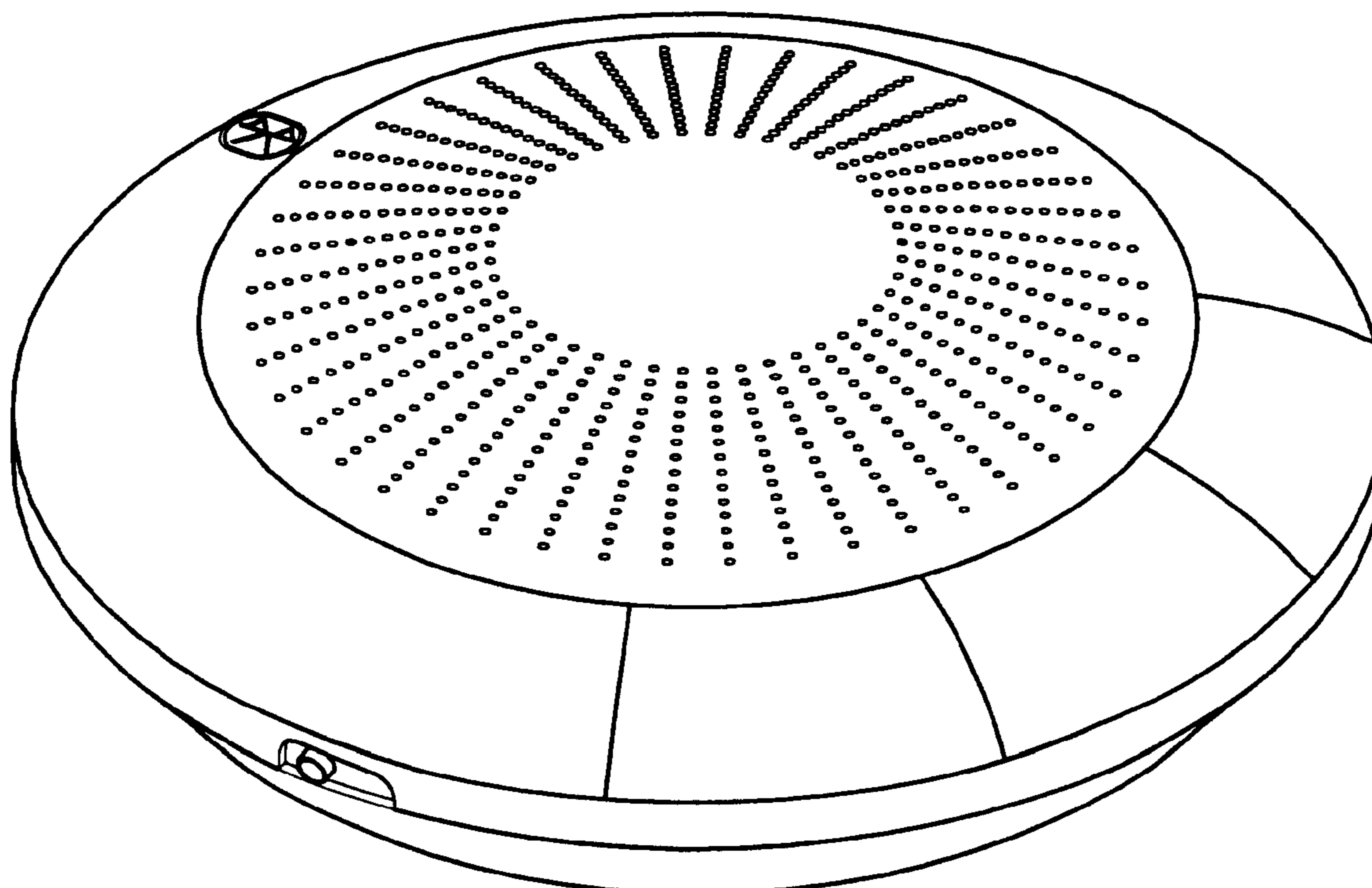


FIG. 1

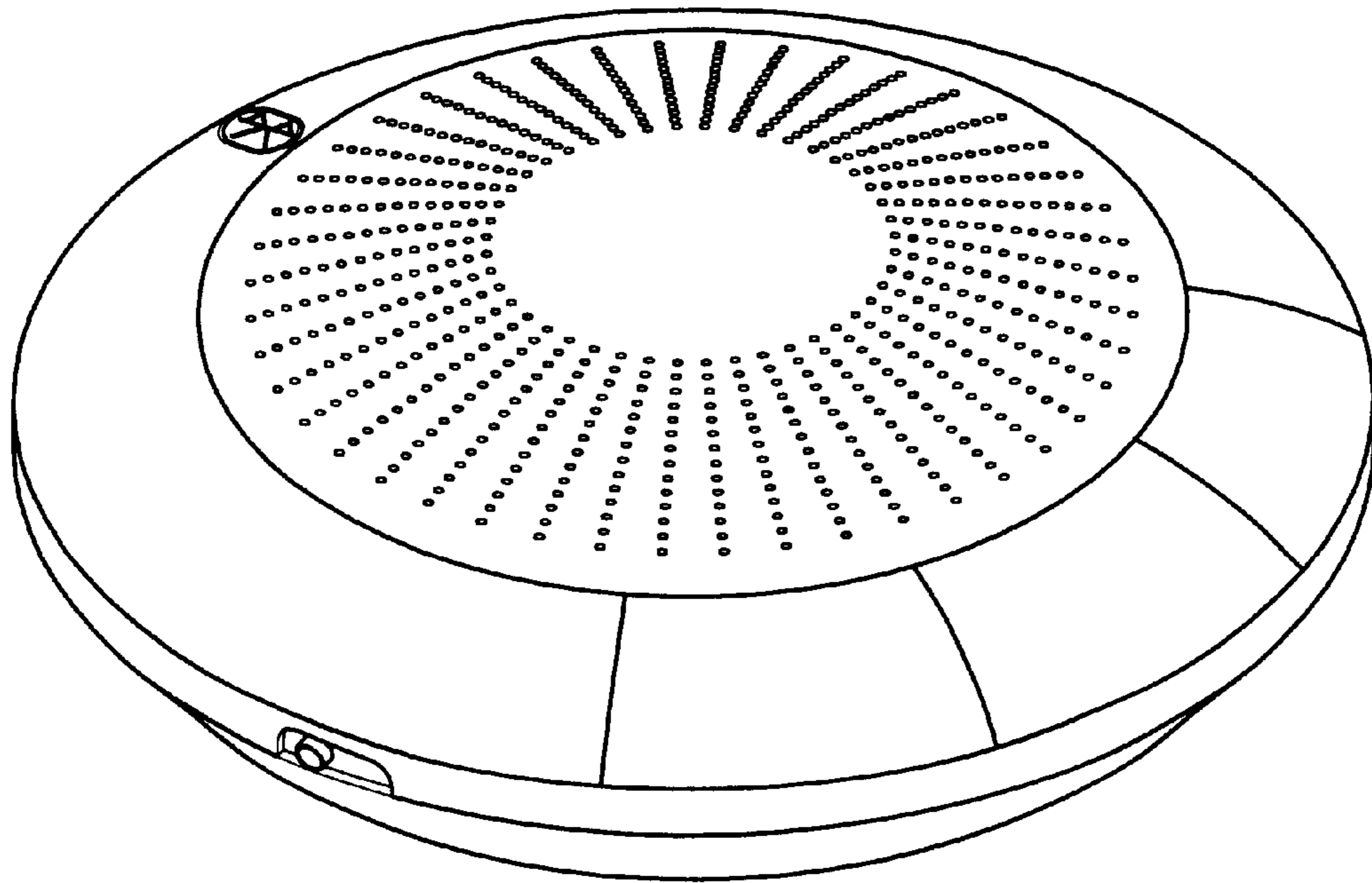


FIG. 2

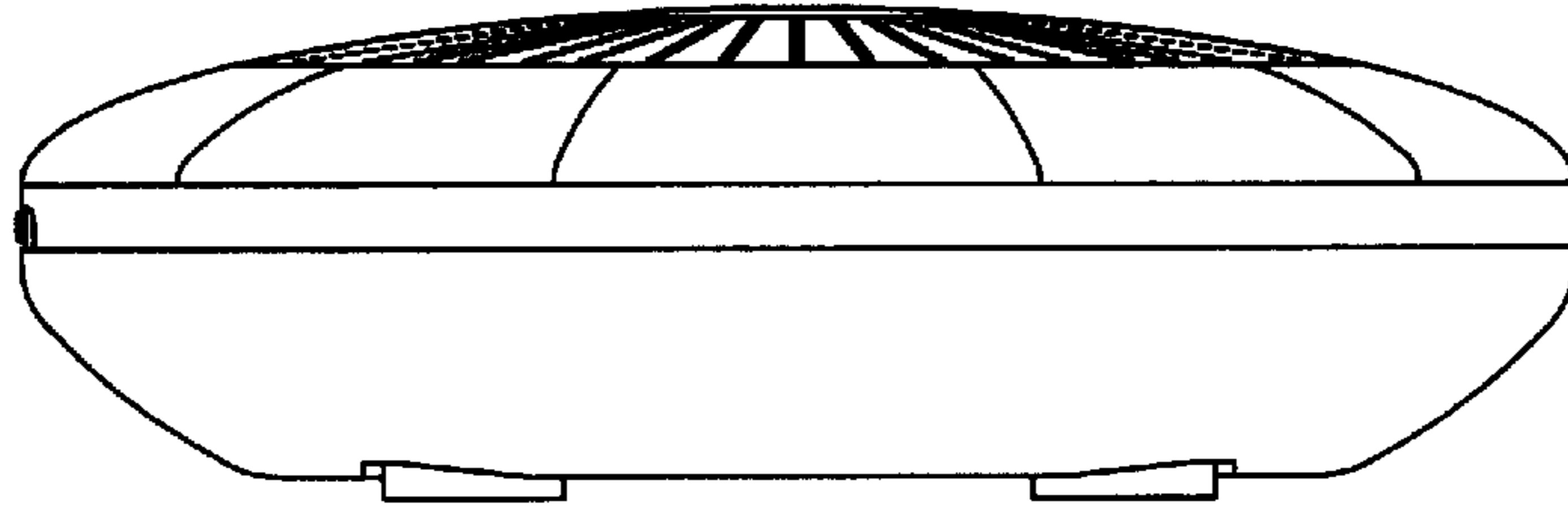


FIG. 3

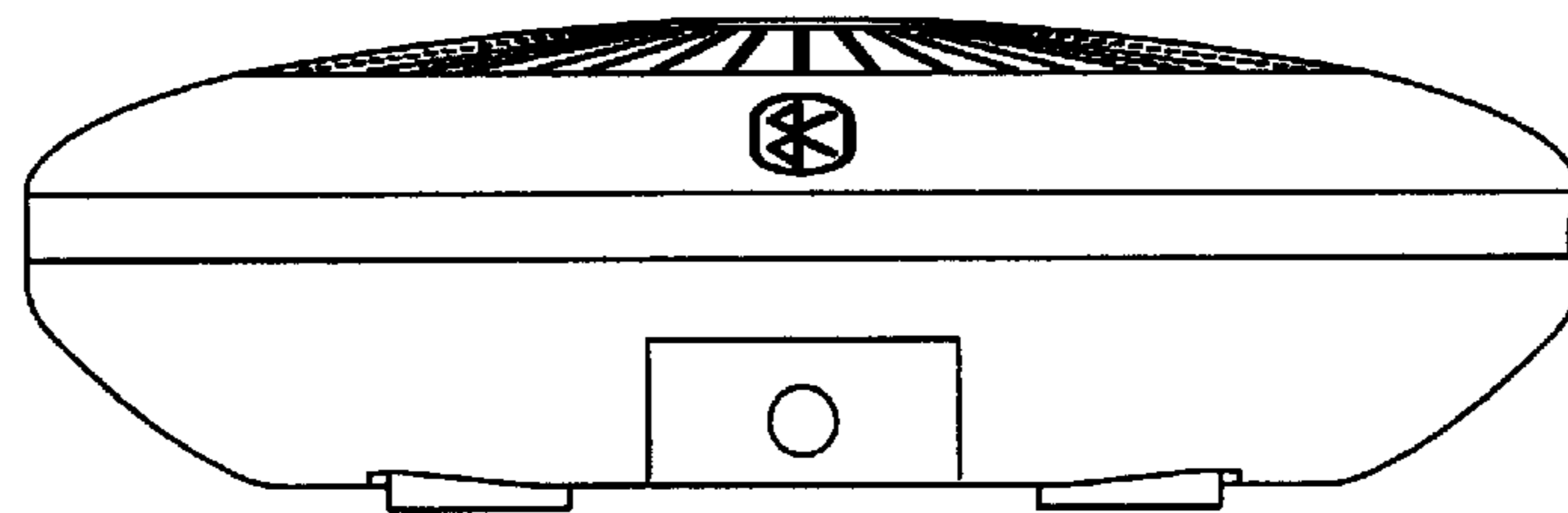


FIG. 4

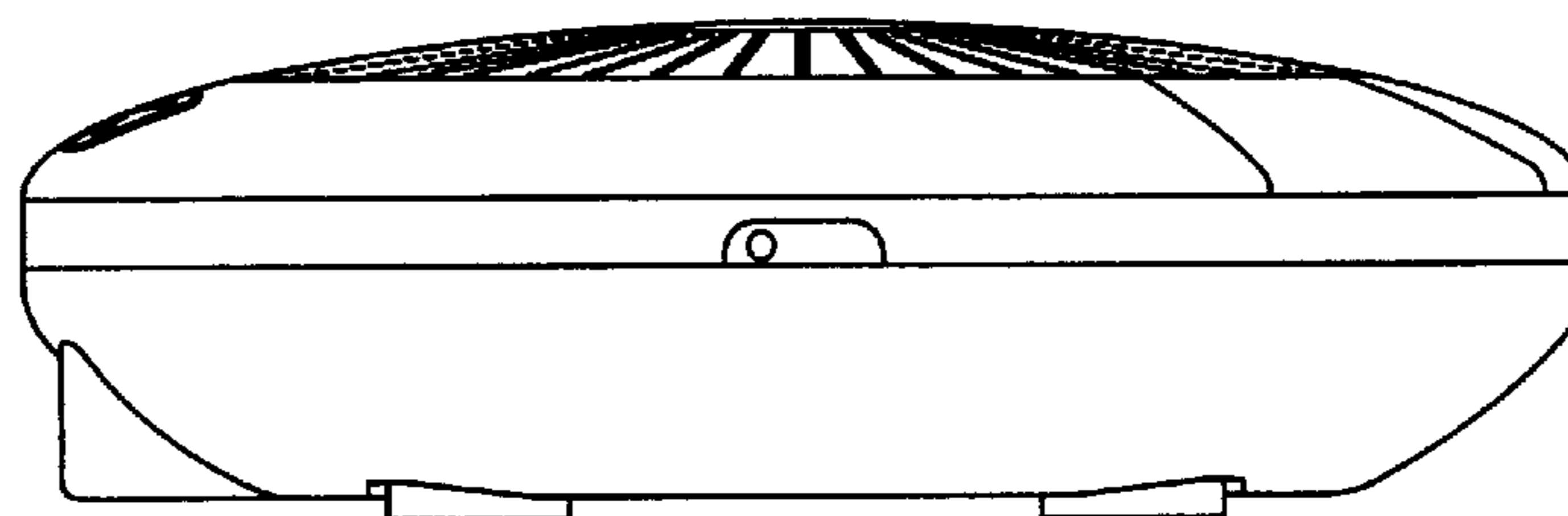


FIG. 5

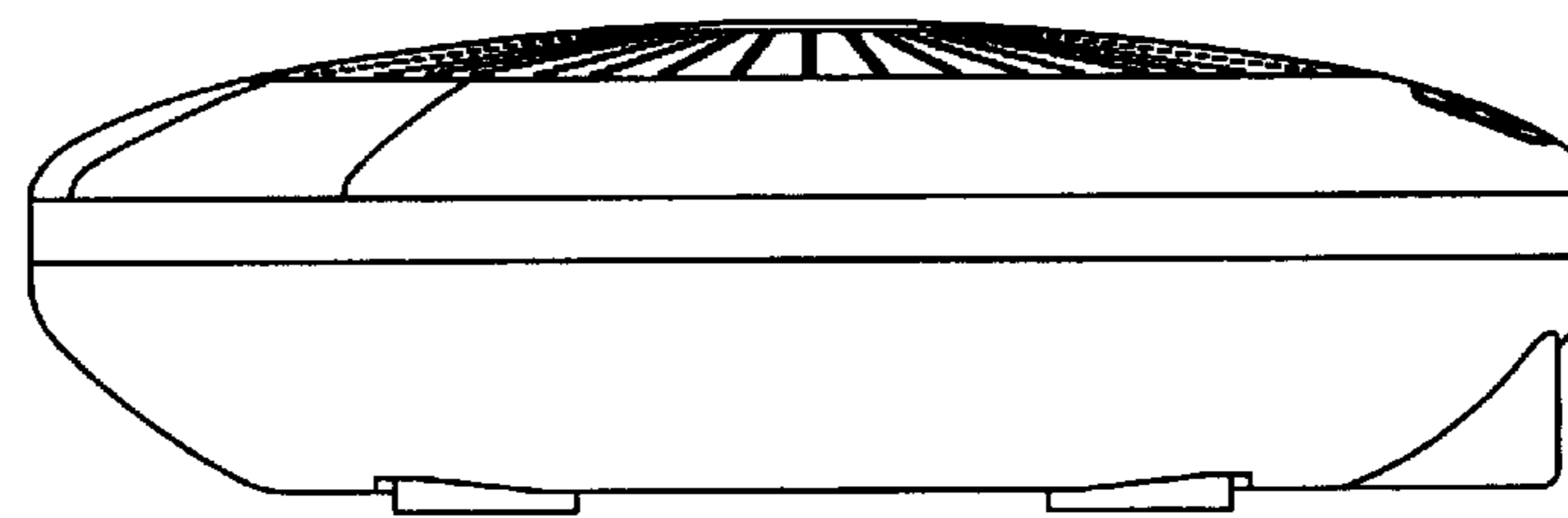


FIG. 6

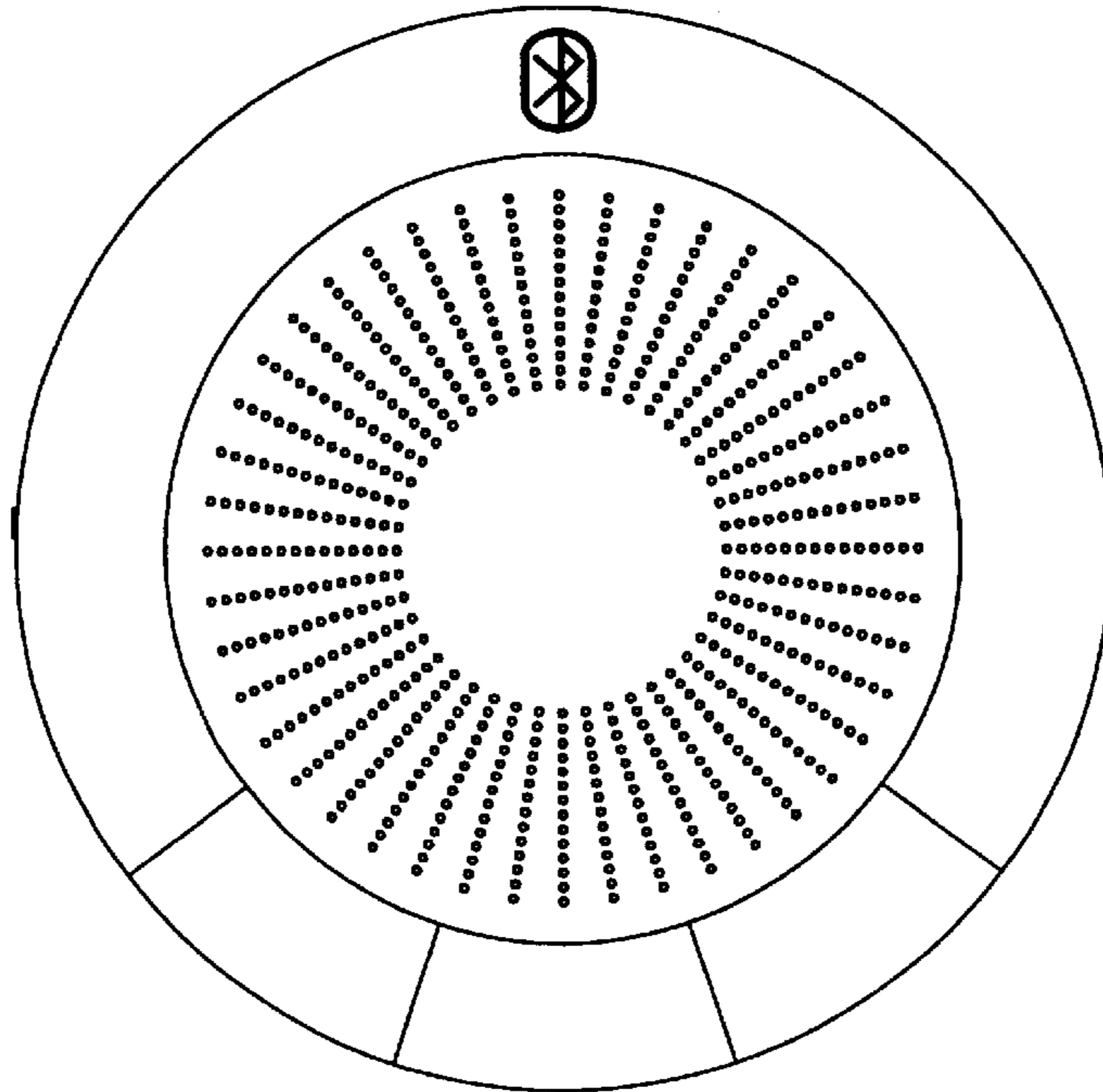


FIG. 7

