



US00D537071S

(12) **United States Design Patent**
Chen

(10) **Patent No.:** **US D537,071 S**

(45) **Date of Patent:** **** Feb. 20, 2007**

(54) **PORTABLE LOUDSPEAKER**

D491,167 S * 6/2004 Yokoyama D14/215
D497,897 S * 11/2004 Modschiedler D14/172

(76) Inventor: **Mike Chen**, 3F., No. 2, Lane 497,
Jhongheng Rd., Sindian City, Taipei
County (TW), 231

* cited by examiner

Primary Examiner—Nanda Bondade

(**) Term: **14 Years**

(57) **CLAIM**

(21) Appl. No.: **29/229,355**

The ornamental design for a portable loudspeaker, as shown
and described.

(22) Filed: **May 9, 2005**

DESCRIPTION

(51) **LOC (8) Cl.** **14-01**

(52) **U.S. Cl.** **D14/215**

(58) **Field of Classification Search** D14/204,
D14/207, 209–216, 356; 181/143–144, 147–148,
181/150, 157, 198–199, 151, 153; 381/300–302,
381/306, 333, 345, 361–364, 386–388, 332,
381/336

FIG. 1 is a perspective view of a portable loudspeaker
showing my new design;
FIG. 2 is a front view thereof;
FIG. 3 is a rear view thereof;
FIG. 4 is a right side view thereof;
FIG. 5 is a left side view thereof;
FIG. 6 is a top view thereof;
FIG. 7 is a bottom view thereof; and,
FIG. 8 is a reference showing the portable loudspeaker when
it is in use.

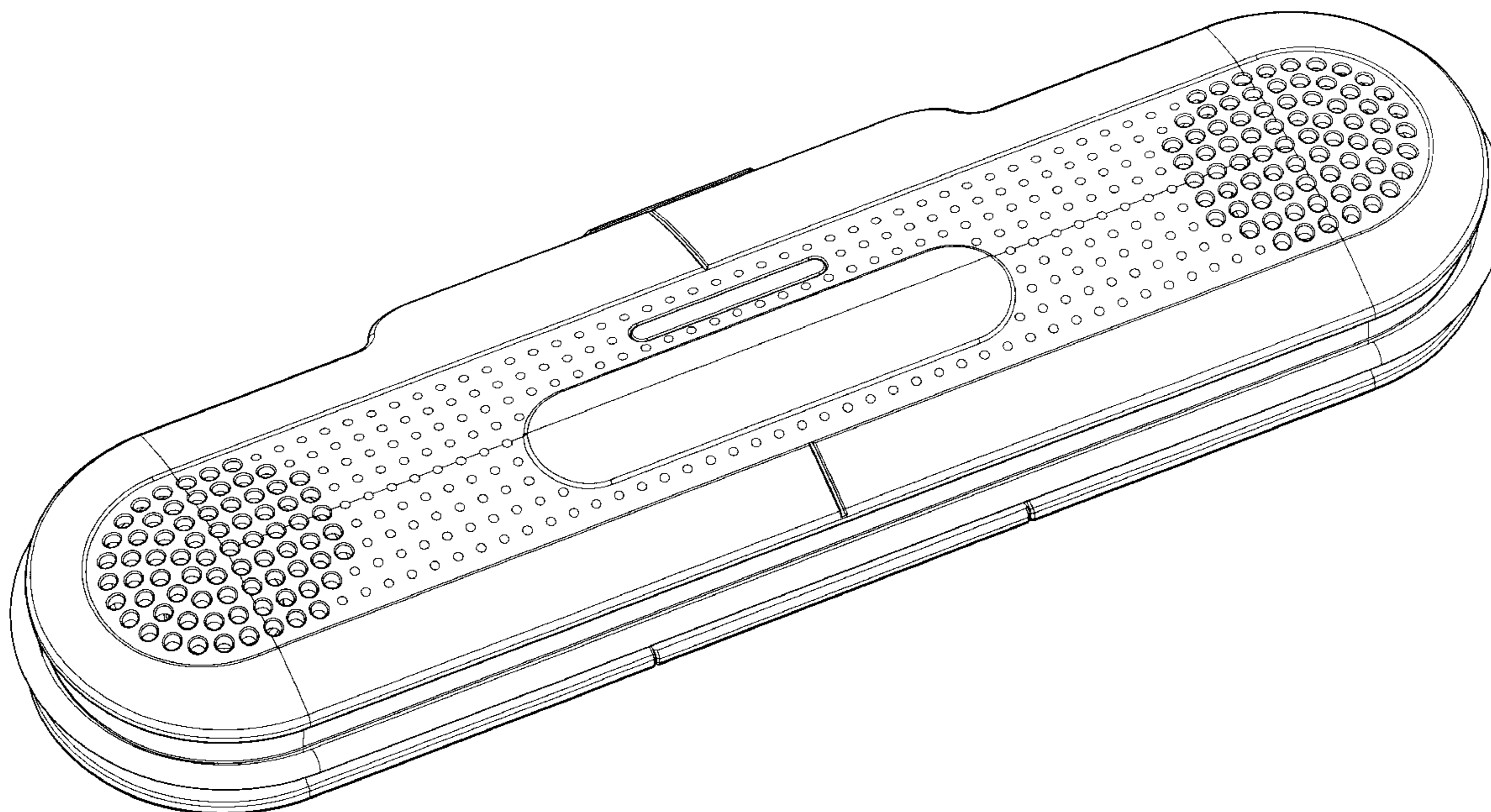
See application file for complete search history.

(56) **References Cited**

U.S. PATENT DOCUMENTS

D483,349 S * 12/2003 Murakami D14/215

1 Claim, 7 Drawing Sheets



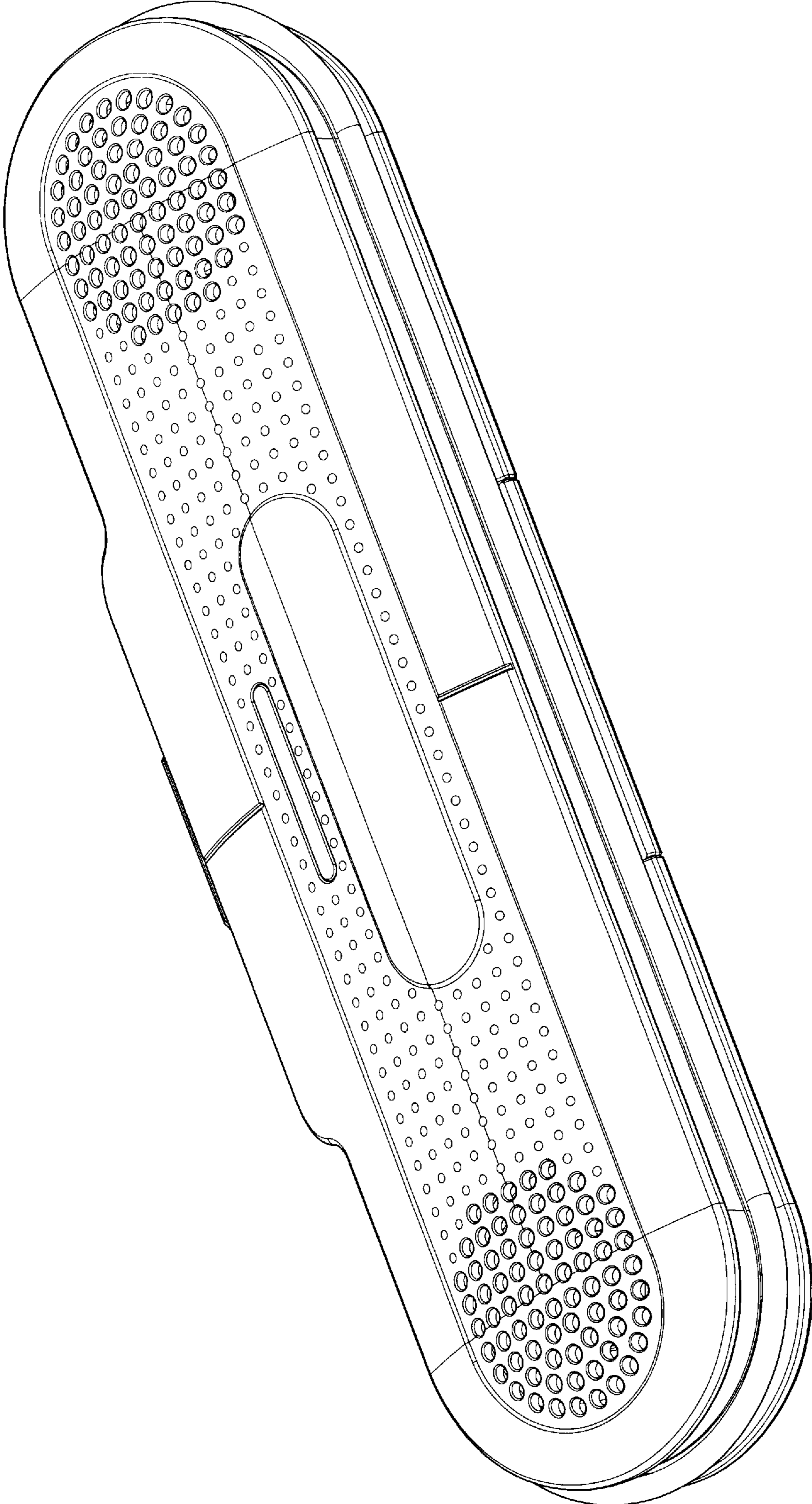


Fig. 1

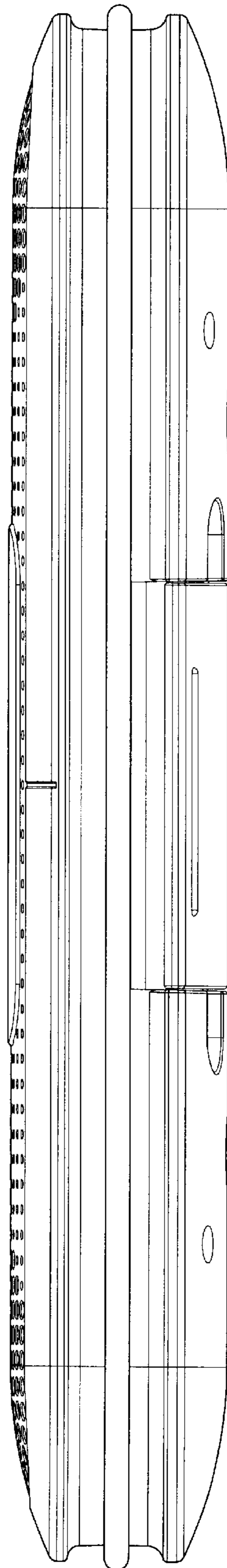


Fig. 2

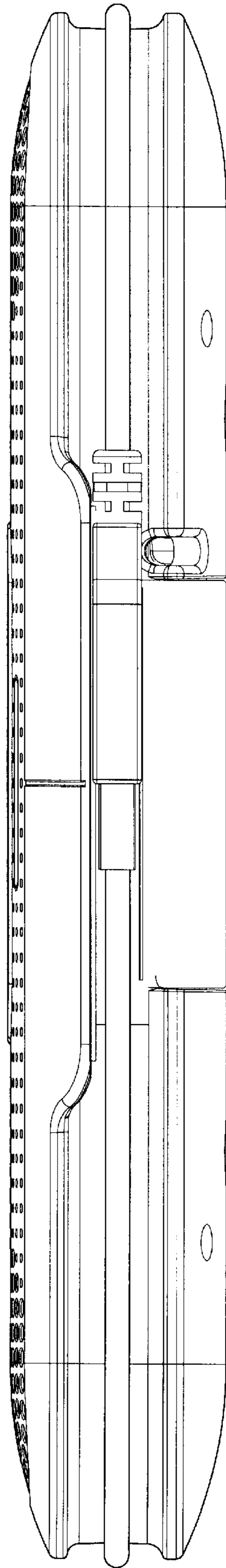


Fig. 3

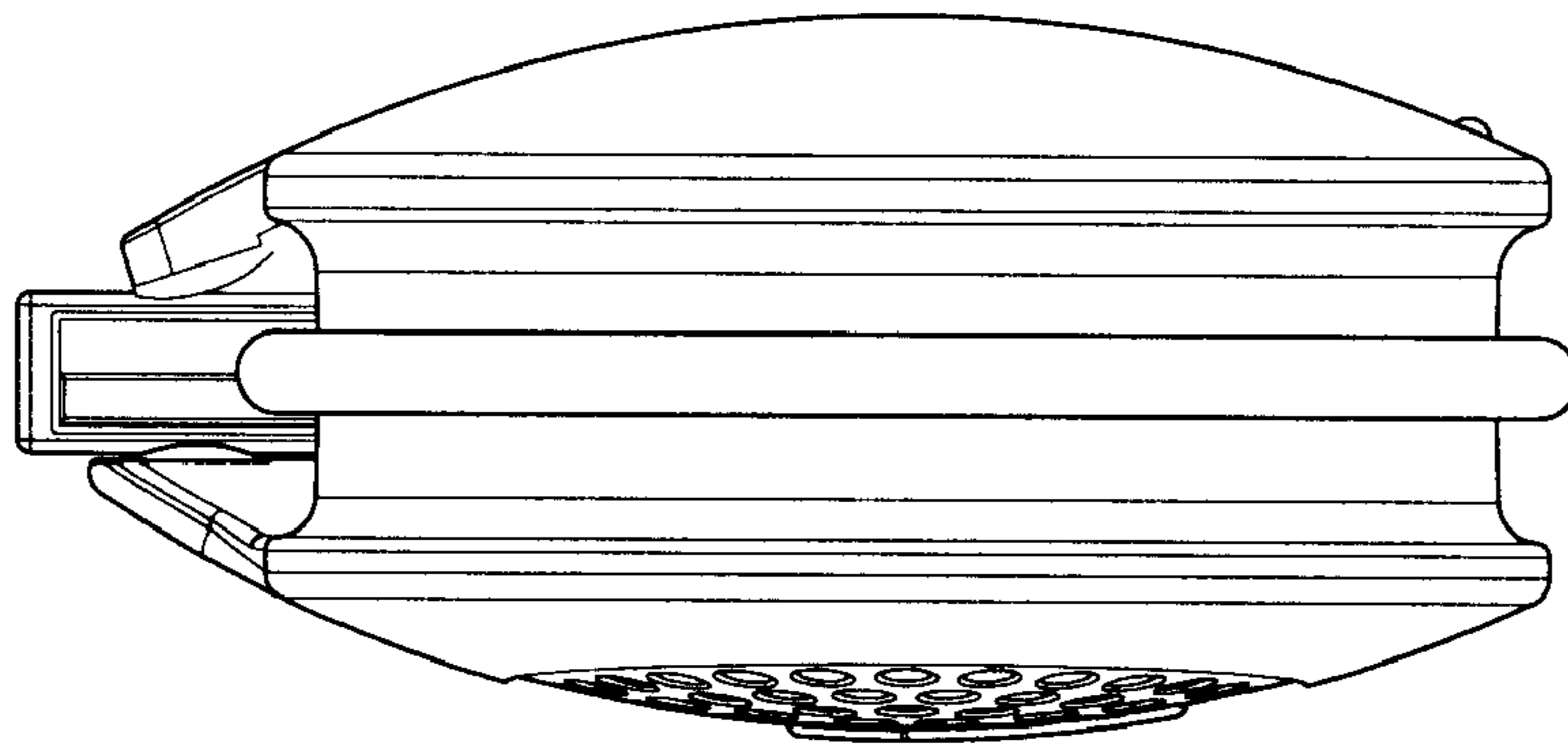


Fig. 4

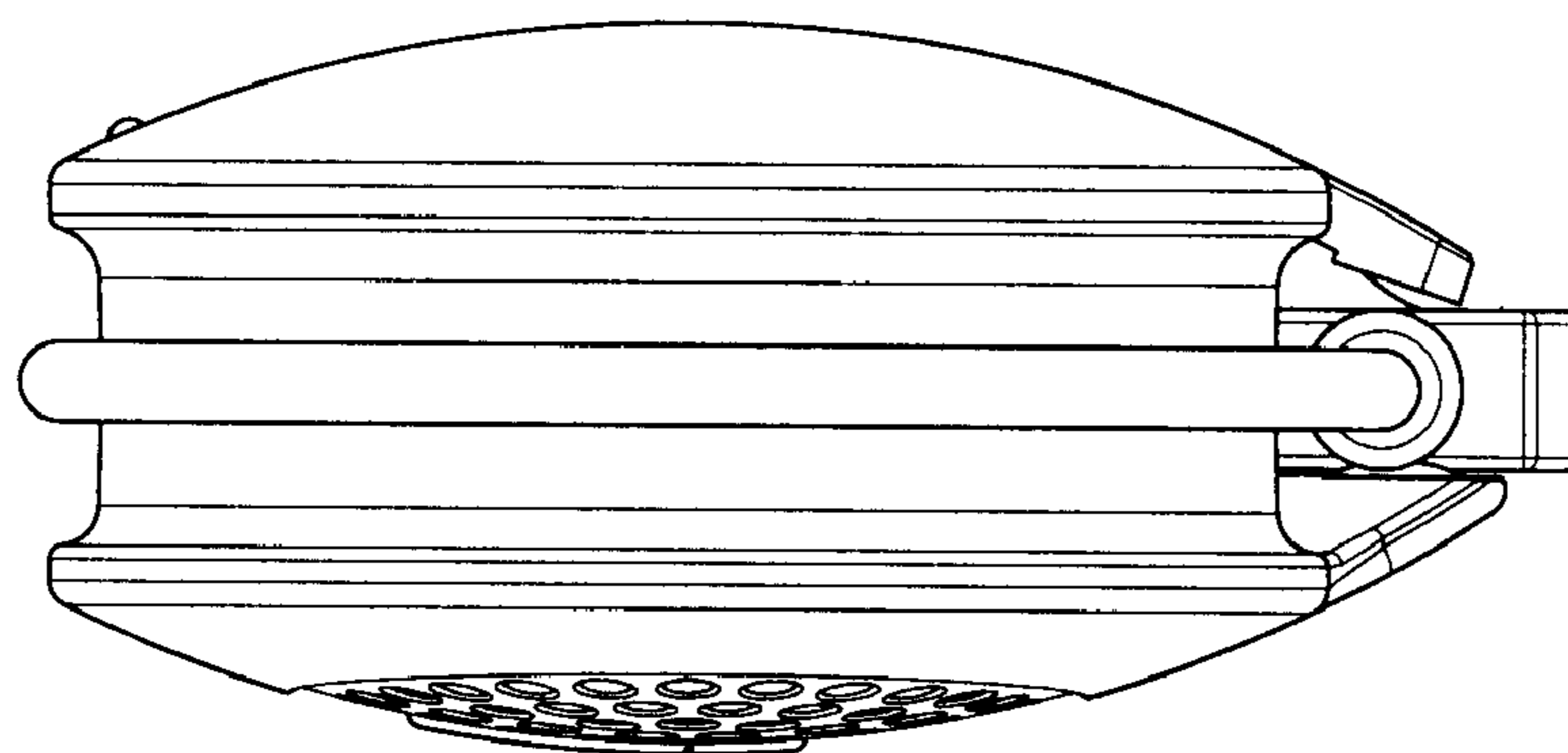


Fig. 5

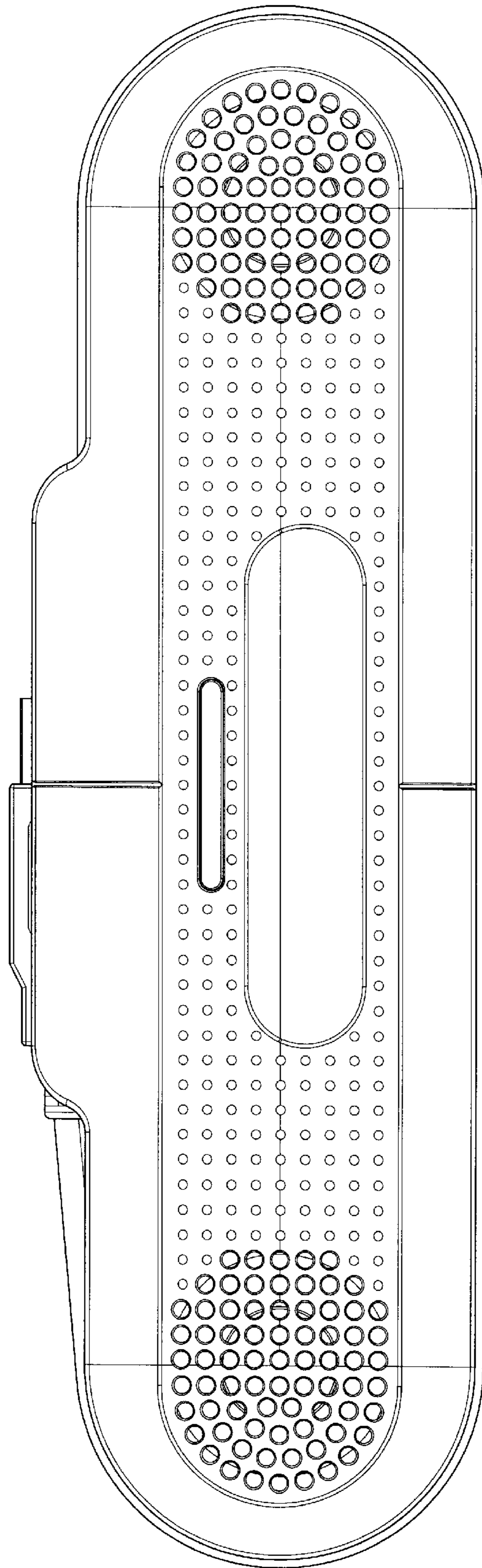


Fig. 6

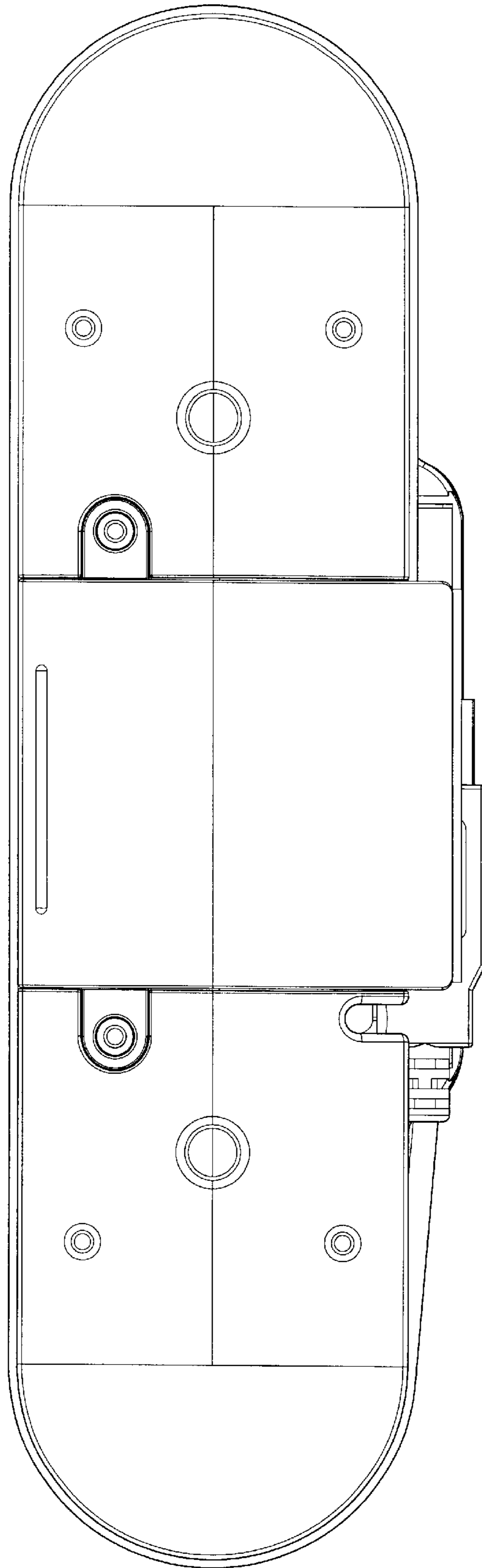


Fig. 7

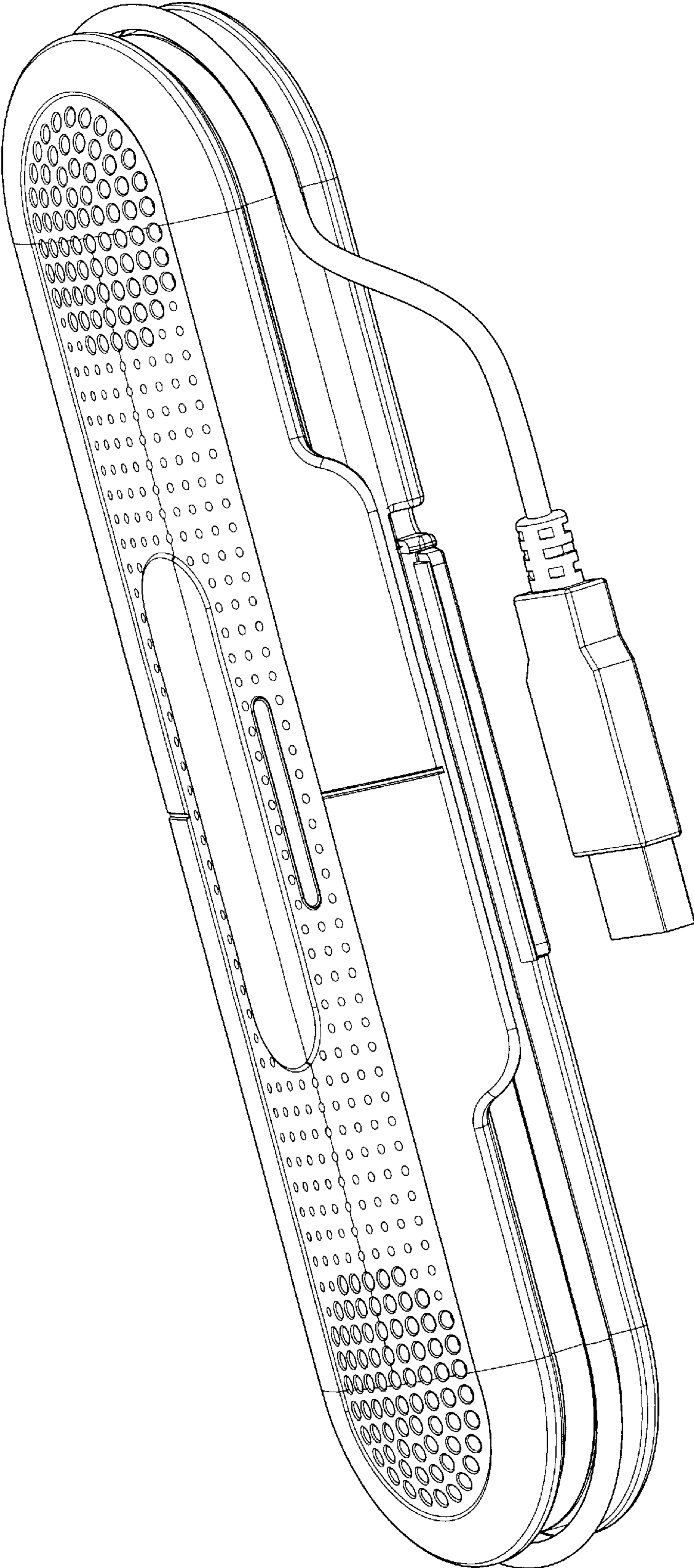


Fig. 8