



US00D537069S

(12) **United States Design Patent** (10) **Patent No.:** **US D537,069 S**  
**Ishibashi** (45) **Date of Patent:** **\*\* Feb. 20, 2007**

(54) **SPEAKER BOX**

(75) Inventor: **Yasuhiro Ishibashi**, Tokyo (JP)

(73) Assignee: **Sony Corporation**, Tokyo (JP)

(\*\*) Term: **14 Years**

(21) Appl. No.: **29/222,997**

(22) Filed: **Feb. 8, 2005**

(51) **LOC (8) Cl.** ..... **14-01**

(52) **U.S. Cl.** ..... **D14/214; D14/211**

(58) **Field of Classification Search** ..... D14/204,  
D14/207, 209–216, 356; 181/143–144, 147–148,  
181/150, 157, 198–199, 151, 153; 381/300–302,  
381/306, 333, 345, 361–364, 386–388, 332,  
381/336

See application file for complete search history.

(56) **References Cited**

**U.S. PATENT DOCUMENTS**

D260,390 S	*	8/1981	Bertagni	.....	D14/211
D319,242 S	*	8/1991	Furuno	.....	D14/204
D321,196 S	*	10/1991	Yamamoto	.....	D14/214
5,871,849 A	*	2/1999	Lepine	.....	428/542.8
5,877,905 A	*	3/1999	Schwartz	.....	359/846
D434,026 S	*	11/2000	Lewis	.....	D14/216
D471,891 S	*	3/2003	Oikawa	.....	D14/211
D475,991 S		6/2003	Hisatsune		
D485,255 S	*	1/2004	Christiansen	.....	D14/207
D491,552 S		6/2004	Niitsu		
D492,281 S		6/2004	Hakoda		

**OTHER PUBLICATIONS**

Web page “DAV–SR4W” [http://www/ecat.sony.co.jp/audio/hometheater/products/index.cfm?PD=18608&KM=DAV–S...](http://www/ecat.sony.co.jp/audio/hometheater/products/index.cfm?PD=18608&KM=DAV-S...), 1sheet, Sony (Dec. 2004).

Web page “HTZ–929DVR” [http://www.pioneer.co.jp/smarttheater/htz929dvr/htz929dvr\\_top.html](http://www.pioneer.co.jp/smarttheater/htz929dvr/htz929dvr_top.html), 1 sheet, Sony (Dec. 2004).

\* cited by examiner

*Primary Examiner*—Nanda Bondade

(74) *Attorney, Agent, or Firm*—Rader, Fishman & Grauer PLLC

(57) **CLAIM**

The ornamental design for a speaker box, as shown and described.

**DESCRIPTION**

FIG. 1 is a perspective view of a speaker box showing my new design;

FIG. 2 is a front elevational view thereof;

FIG. 3 is a rear elevational view thereof;

FIG. 4 is a left side elevational view thereof;

FIG. 5 is a right side elevational view thereof;

FIG. 6 is a top plan view thereof; and,

FIG. 7 is a bottom plan view thereof.

Even broken lines depicted in FIGS. 1–5 are for illustrative purpose only and form no part of the claimed design. The dot-dash broken lines depicted in FIGS. 1–5 define, but are not included in, the boundaries of the claimed design.

**1 Claim, 4 Drawing Sheets**

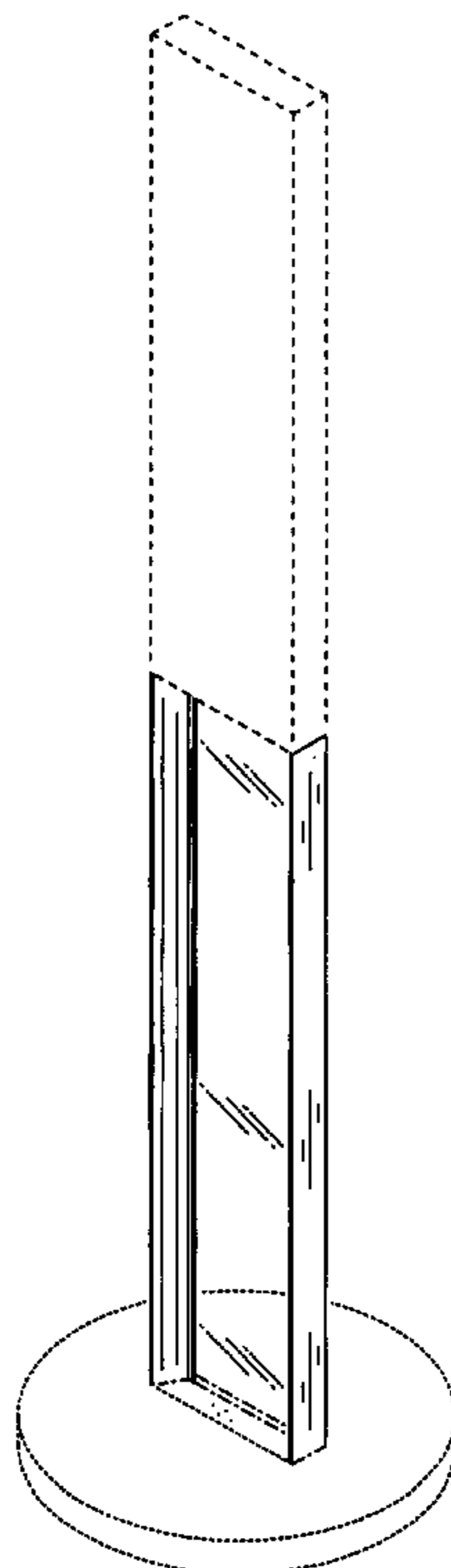


FIG. 1

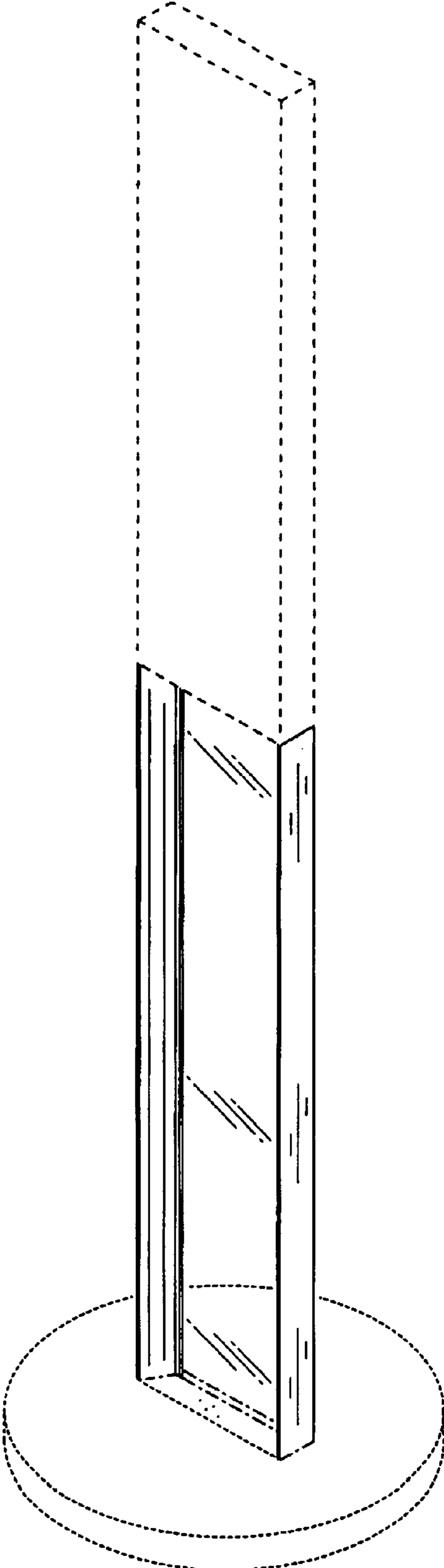


FIG.2

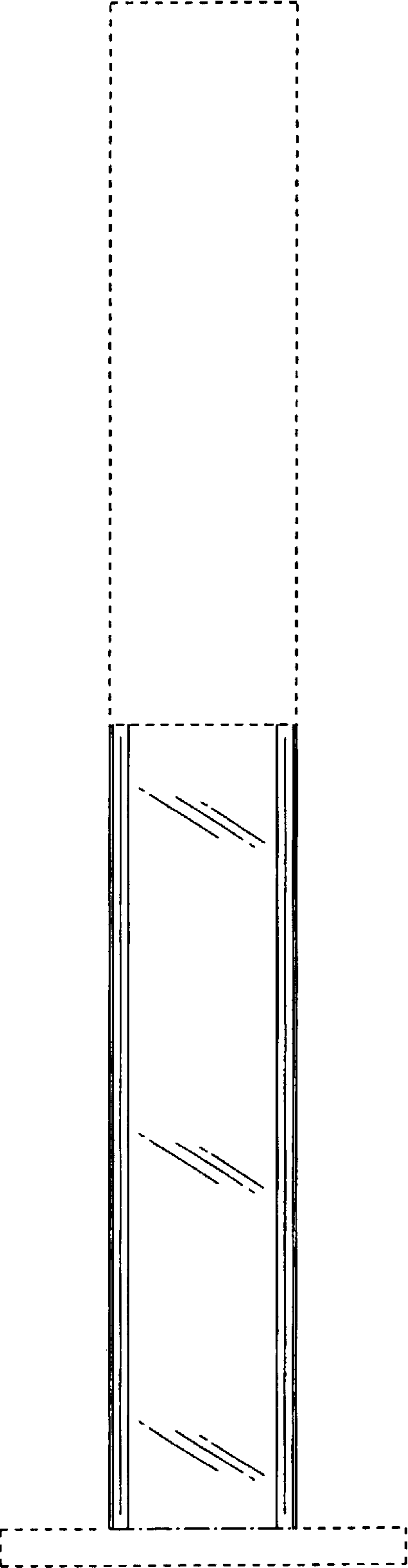


FIG.3

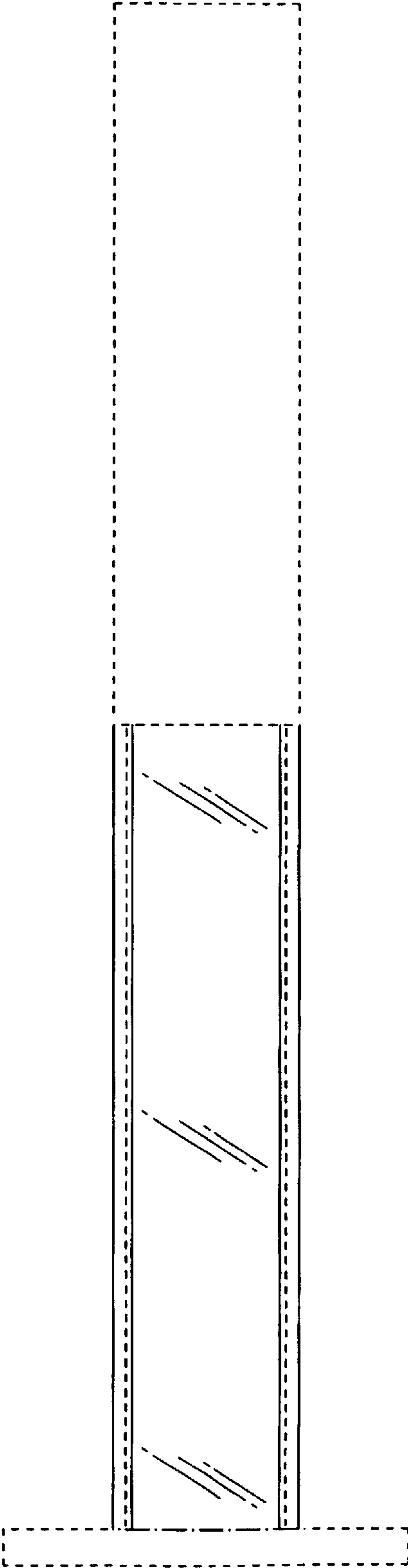


FIG.4

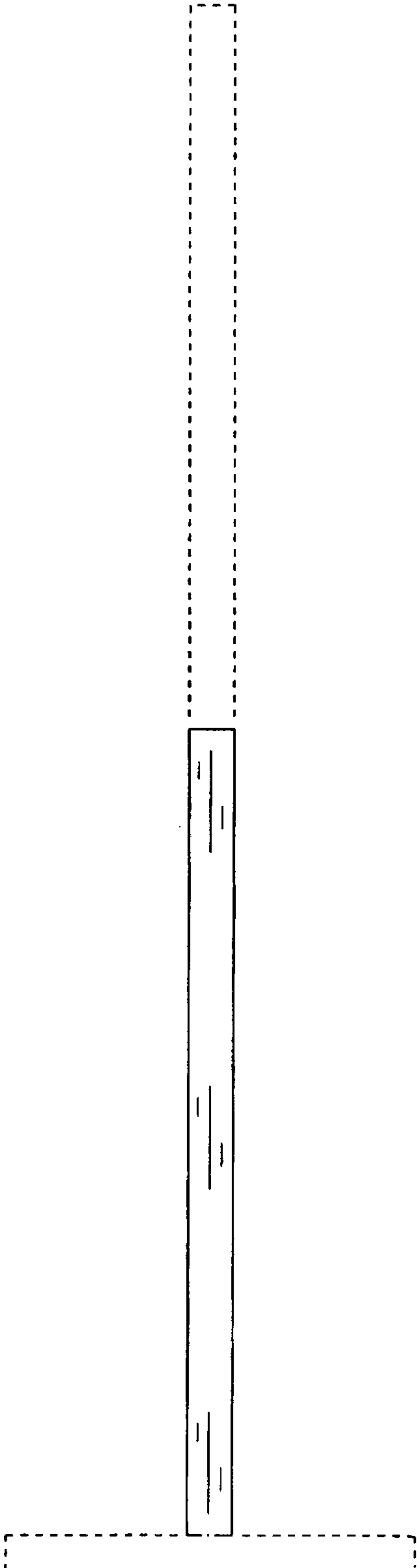


FIG.5

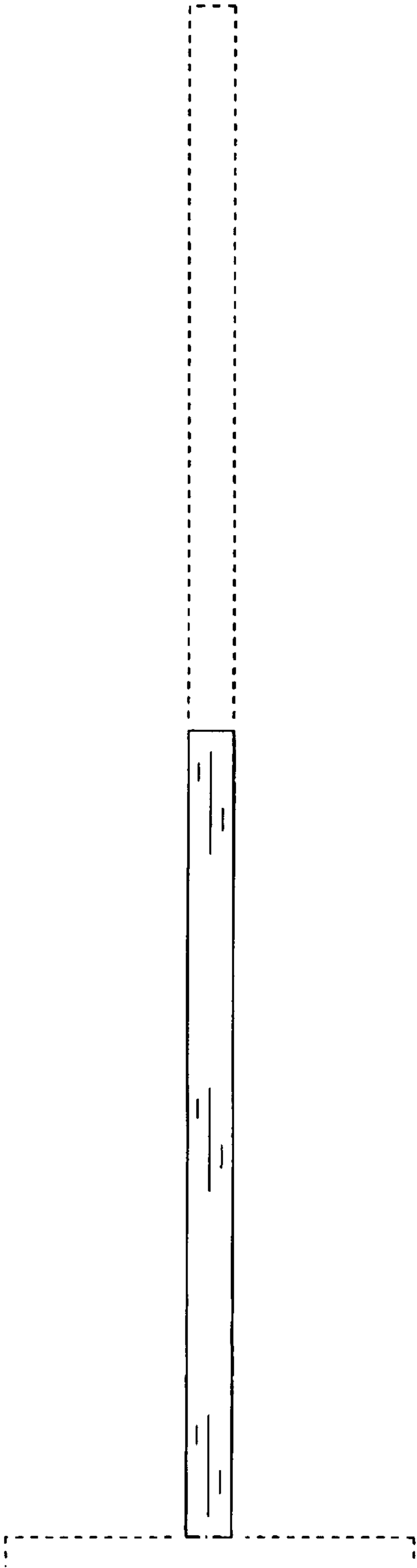


FIG.6

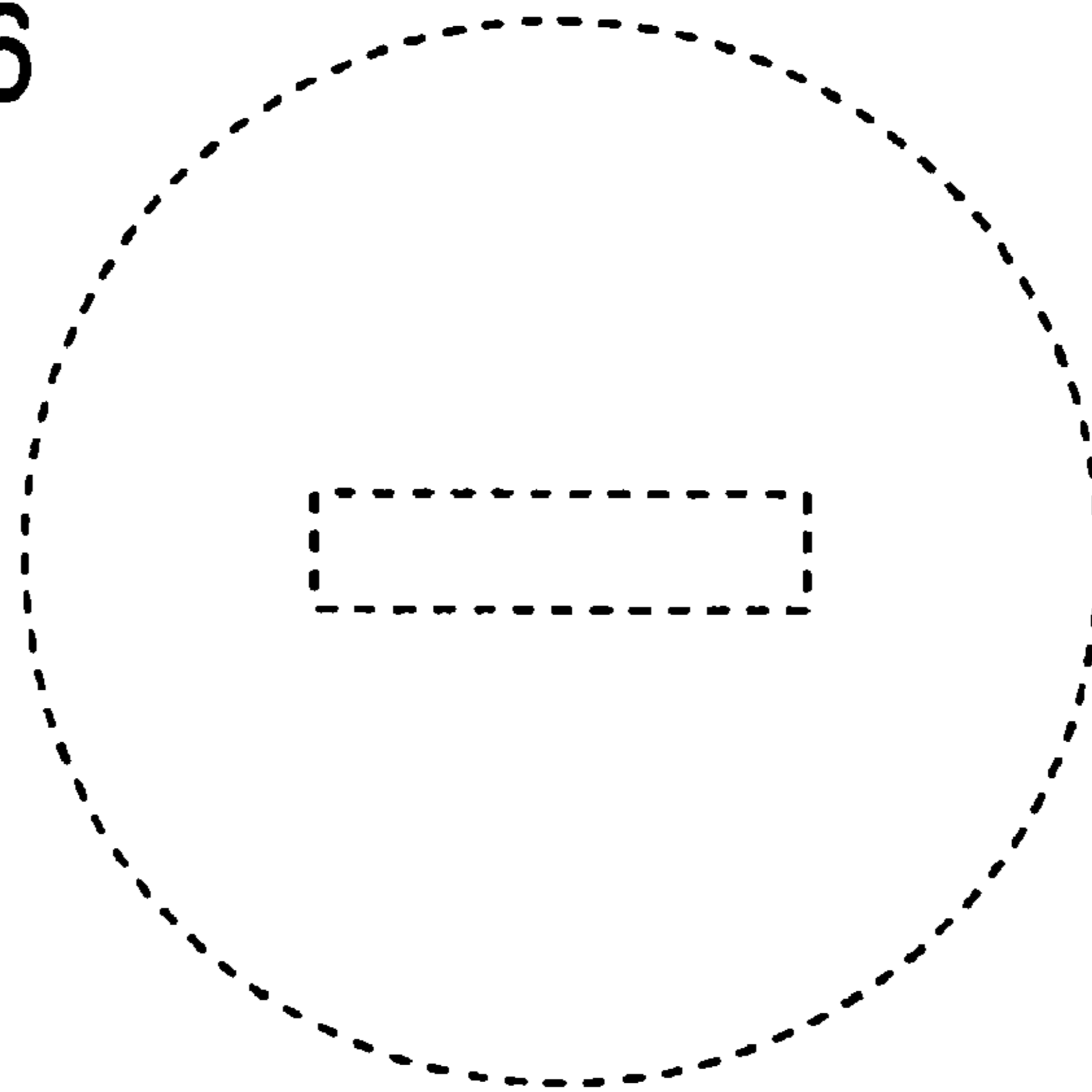


FIG.7

