



US00D537065S

(12) **United States Design Patent** (10) **Patent No.:** **US D537,065 S**
Chen (45) **Date of Patent:** **** Feb. 20, 2007**

(54) **TELEPHONE**

(75) Inventor: **Chung-Hui Chen**, Taipei (TW)
(73) Assignee: **Welltech Computer Co., LTD** (TW)
(**) Term: **14 Years**

(21) Appl. No.: **29/236,085**
(22) Filed: **Sep. 16, 2005**

(51) **LOC (8) Cl.** **14-03**
(52) **U.S. Cl.** **D14/151**
(58) **Field of Classification Search** D14/144,
D14/137-138, 140, 142, 147-151, 240, 248;
379/419, 440, 434-436, 454-455
See application file for complete search history.

(56) **References Cited**
U.S. PATENT DOCUMENTS

| | | | | |
|-------------------|--------|------------------|-------|------------|
| D427,985 S * | 7/2000 | Takayama et al. | | D14/151 |
| D428,000 S * | 7/2000 | Takayama et al. | | D14/140.9 |
| 6,445,793 B1 * | 9/2002 | Vassallo et al. | | 379/428.01 |
| D472,227 S * | 3/2003 | Takayama et al. | | D14/151 |
| D490,394 S * | 5/2004 | Taniguchi et al. | | D14/151 |
| 2005/0069126 A1 * | 3/2005 | Xue | | 379/454 |

OTHER PUBLICATIONS

“Linskys SPA-941 2 or 4-Line IP Telephone”, 3-p including photo, [online], <URL:http://voipstore.atacomm.com/Shops/ViewItem.aspx/27934028032-47512667392.htm>, site visited May 12, 2006.*

* cited by examiner

Primary Examiner—Ian Simmons
Assistant Examiner—Carla Jobe Wright

(57) **CLAIM**

The ornamental design for a telephone, as shown and described.

DESCRIPTION

FIG. 1 is a perspective view of a telephone showing my new design;
FIG. 2 is a front view thereof;
FIG. 3 is the rear view thereof;
FIG. 4 is a left side view thereof;
FIG. 5 is a right side view thereof;
FIG. 6 is a top view thereof; and,
FIG. 7 is a bottom view thereof.

1 Claim, 7 Drawing Sheets





FIG. 1

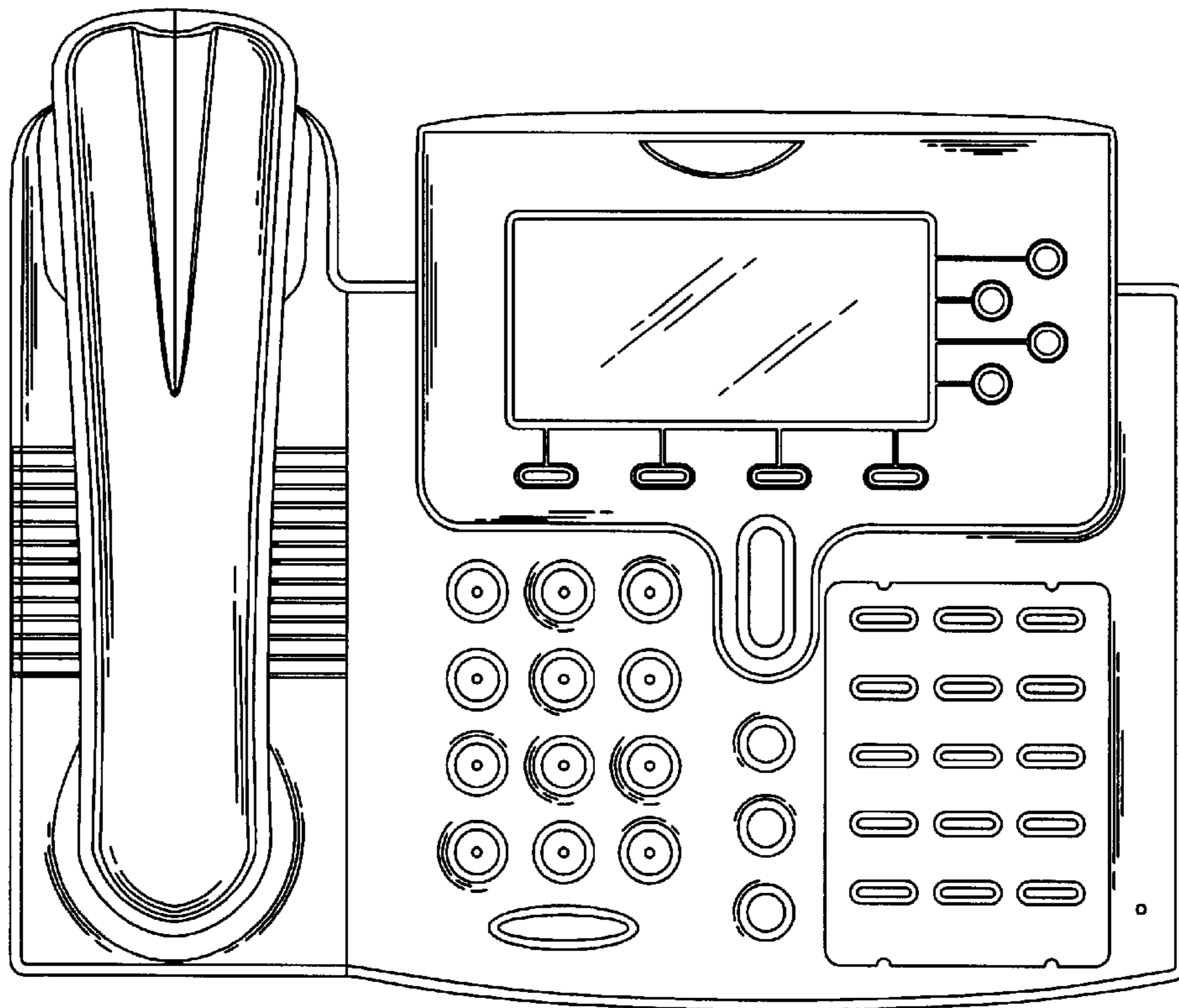


FIG. 2

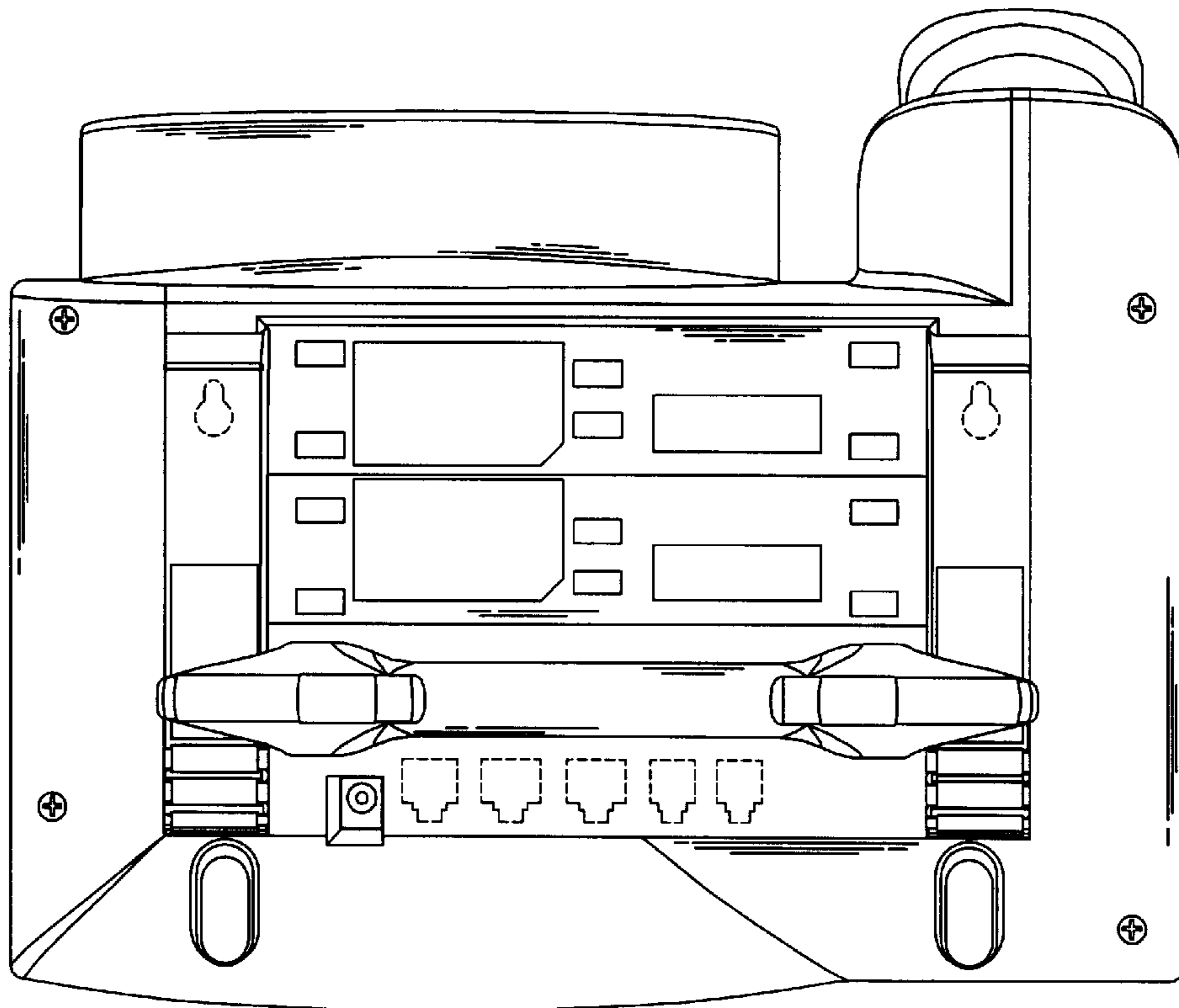


FIG. 3

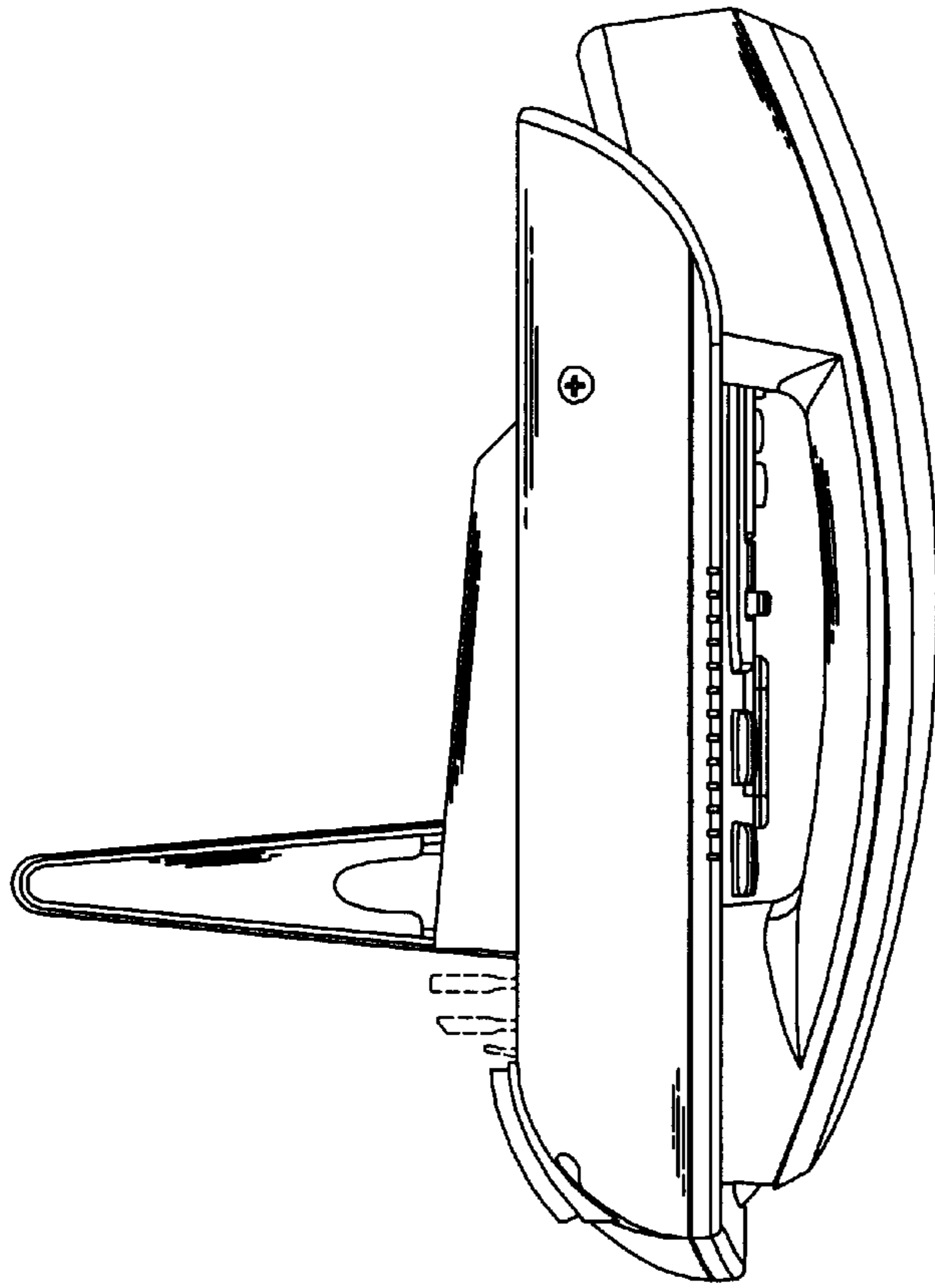


FIG. 4

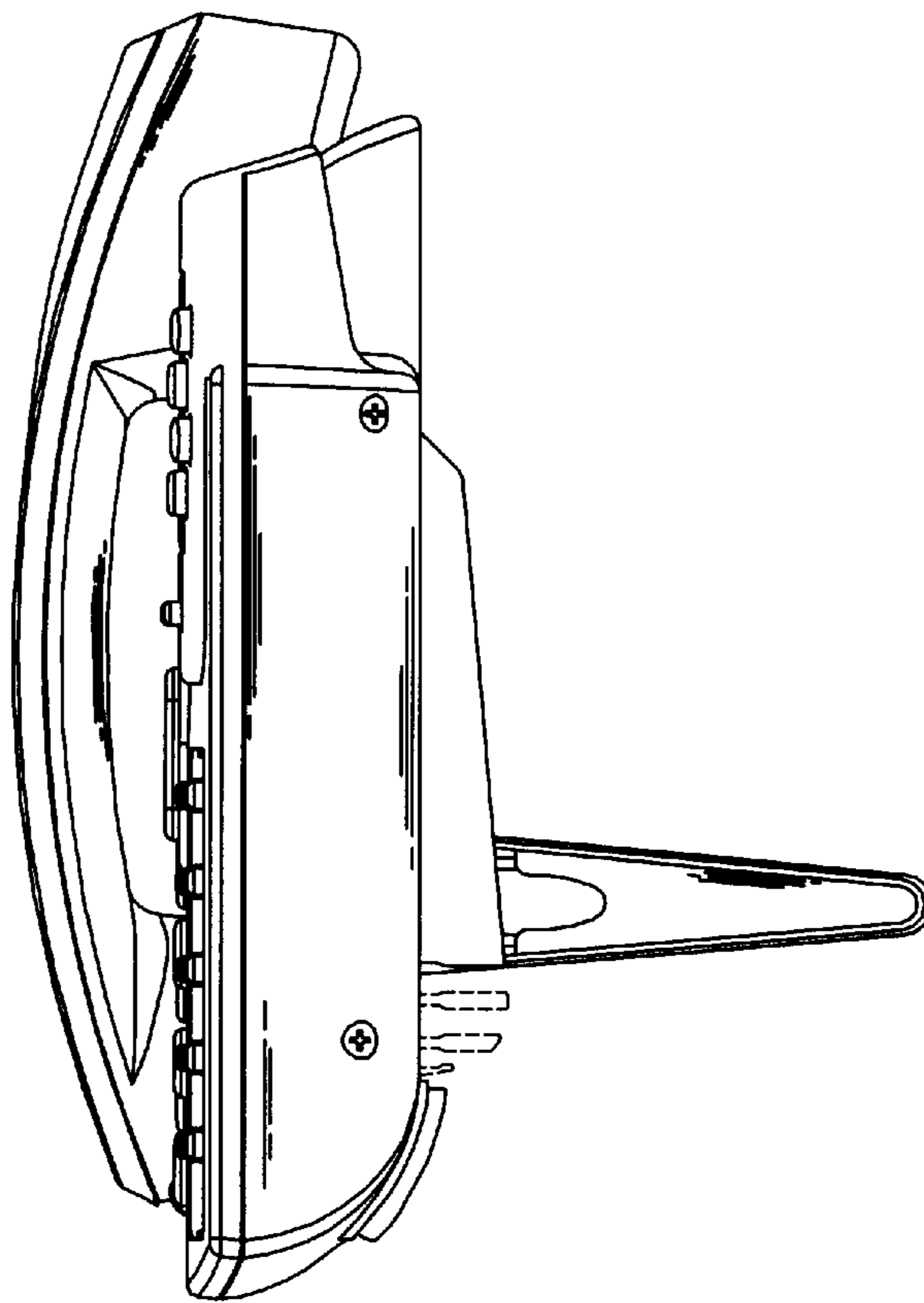


FIG. 5

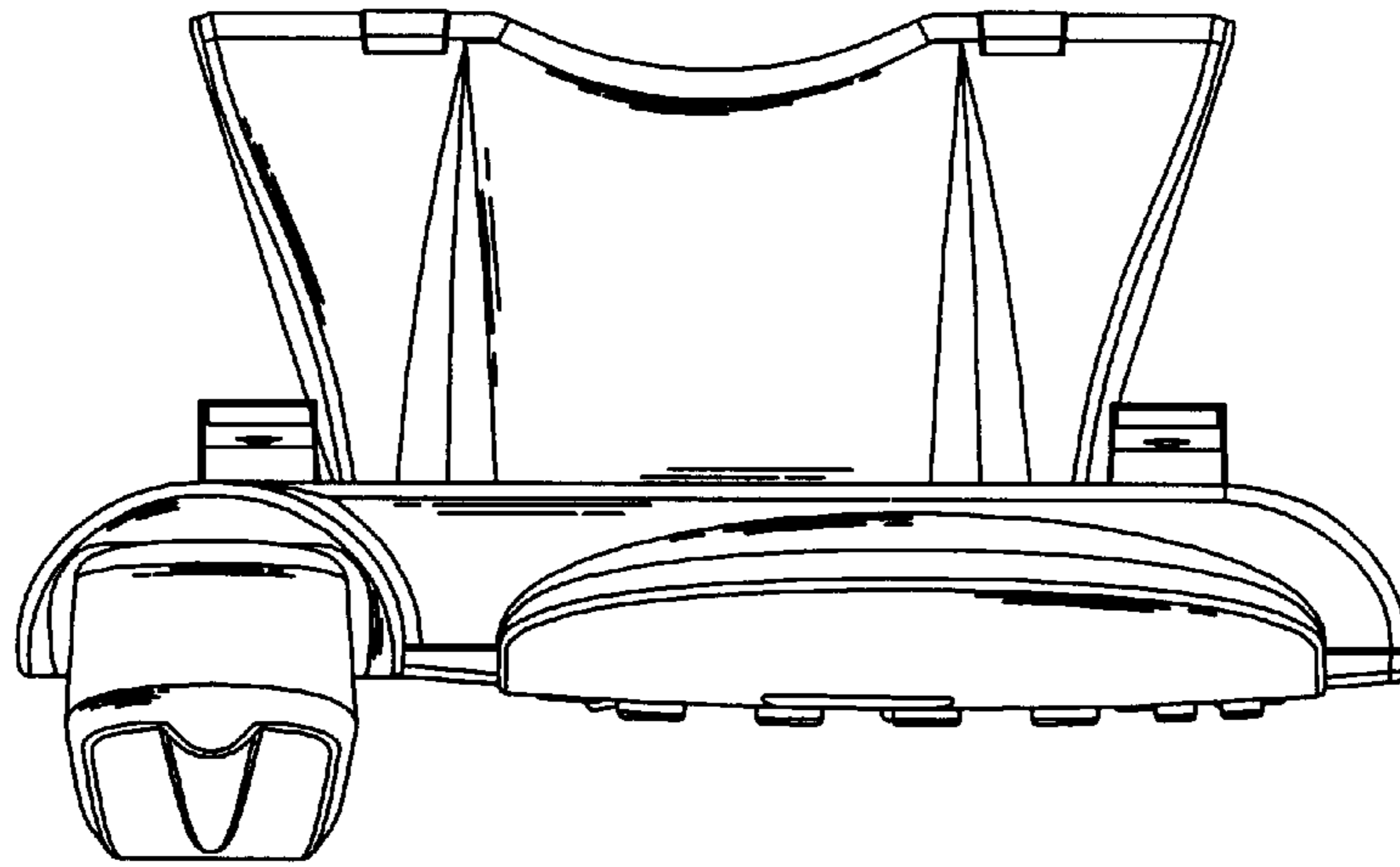


FIG. 6

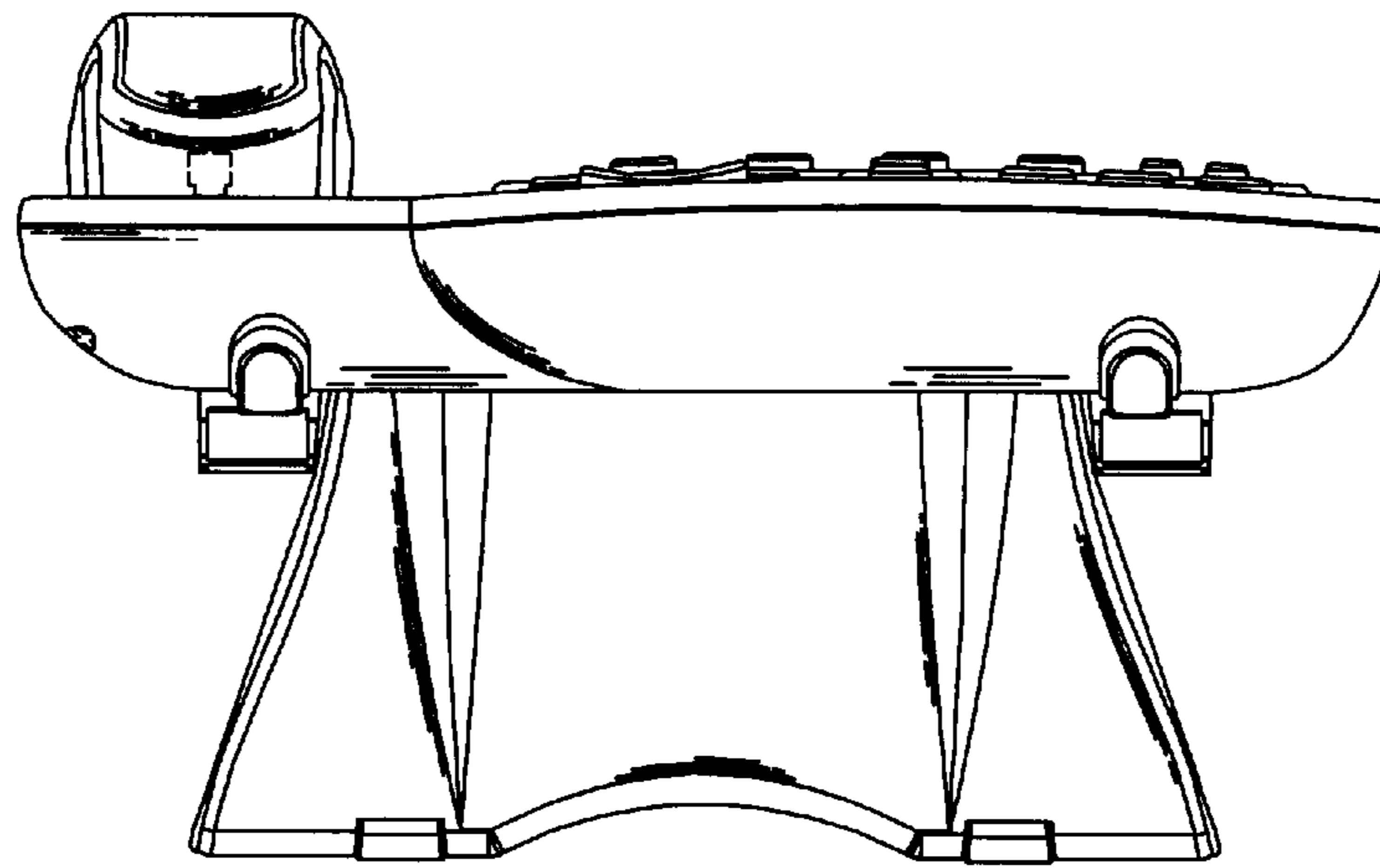


FIG. 7