



US00D537058S

(12) **United States Design Patent** (10) **Patent No.:** **US D537,058 S**
Chauhan et al. (45) **Date of Patent:** **** Feb. 20, 2007**

(54) **HANDSET**

(75) Inventors: **Tej Chauhan**, Edgware (GB); **Tanja Fisher**, Twickenham (GB)

(73) Assignee: **Nokia Corporation**, Espoo (FI)

(**) Term: **14 Years**

(21) Appl. No.: **29/223,996**

(22) Filed: **Feb. 23, 2005**

(30) **Foreign Application Priority Data**

Aug. 31, 2004 (FI) M20040135

(51) **LOC (8) Cl.** **14-03**

(52) **U.S. Cl.** **D14/138; D16/212**

(58) **Field of Classification Search** D14/137,
D14/138, 147-148, 247-248, 144, 218, 341-347,
D14/455, 456; 379/433.01-433.13, 434;
455/575.1, 566, 556.1; D21/517, 329, 331;
345/169; 396/348; D16/211-213, 208
See application file for complete search history.

(56) **References Cited**

U.S. PATENT DOCUMENTS

D167,828 S	*	9/1952	Florac	D14/194
D223,835 S	*	6/1972	Schmidt	D14/191
D230,514 S	*	2/1974	Emmerling	D16/213
D237,833 S	*	11/1975	Winkler et al.	D16/212
D237,834 S	*	11/1975	Winkler et al.	D16/212
3,938,170 A	*	2/1976	Winkler et al.	396/348
3,987,469 A	*	10/1976	Winkler et al.	396/348
4,032,940 A	*	6/1977	Chan	396/348
D250,121 S	*	10/1978	Waaske	D16/213
D259,492 S	*	6/1981	Swayze	D16/209
4,449,474 A	*	5/1984	Mariol	116/2
4,557,574 A	*	12/1985	Kohno et al.	396/448
4,601,562 A	*	7/1986	Yoneyama et al.	396/535
D306,853 S	*	3/1990	Mayo et al.	D13/168
D315,731 S	*	3/1991	Watanabe	D14/148
D330,023 S	*	10/1992	Kikuchi et al.	D14/138
D362,252 S	*	9/1995	Ansell et al.	D14/144
D364,616 S	*	11/1995	Oda et al.	D14/138

(Continued)

FOREIGN PATENT DOCUMENTS

WO	DM/066748	*	2/2005
WO	DM/067685	*	3/2006

OTHER PUBLICATIONS

Nokia 7380 telephone, announced Oct. 2005, [online], [retrieved on Jun. 23, 2006]. Retrieved from Internet ,URL: <http://www.gsmarena.com>.*

Minox Germany—"The 8×11 Subminiature Cameras" 9 pages published prior to Aug. 31, 2004.

Primary Examiner—Jeffrey Asch

(74) *Attorney, Agent, or Firm*—Banner & Witcoff, Ltd.

(57) **CLAIM**

The ornamental design for a handset, as shown and described.

DESCRIPTION

FIG. 1 is a bottom plan view of a handset showing our new design;

FIG. 2 is a left side view thereof;

FIG. 3 is a front view thereof;

FIG. 4 is a right side view thereof;

FIG. 5 is a top plan view thereof;

FIG. 6 is a rear view thereof;

FIG. 7 is a perspective front view thereof;

FIG. 8 is a perspective rear view thereof;

FIG. 9 is a perspective front view of the handset of FIGS. 1-8 in an in-use position;

FIG. 10 is a perspective rear view of the handset of FIGS. 1-8 in an in-use position;

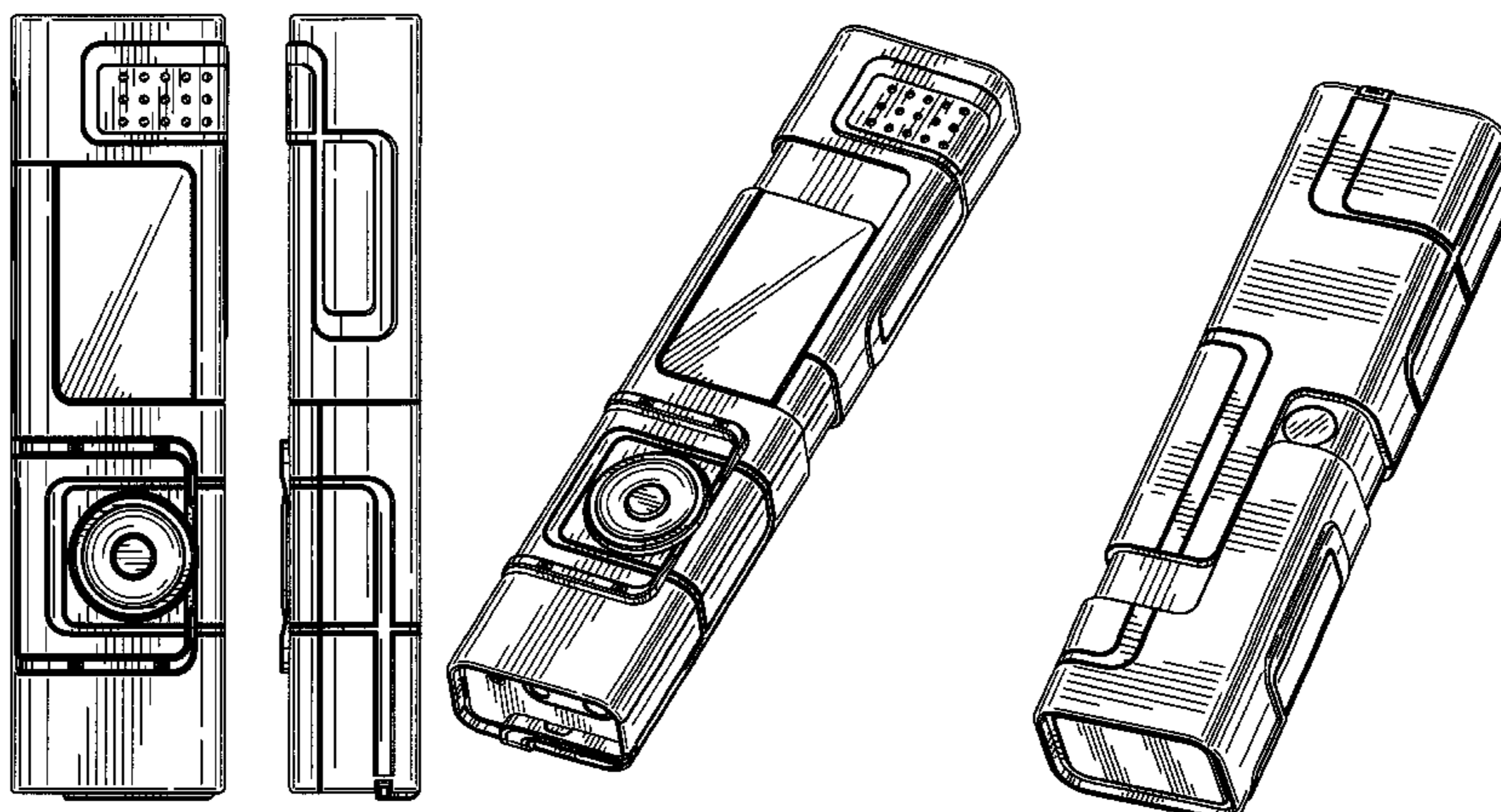
FIG. 11 is a front view of the handset of FIGS. 1-8 in an in-use position;

FIG. 12 is a rear view of the handset of FIGS. 1-8 in an in-use position;

FIG. 13 is a right side view of the handset of FIGS. 1-8 in an in-use position; and,

FIG. 14 is a left side view of the handset of FIGS. 1-8 in an in-use position.

1 Claim, 6 Drawing Sheets



US D537,058 S

Page 2

U.S. PATENT DOCUMENTS

D405,796 S *	2/1999	Uehara	D14/218	D491,542 S *	6/2004	Chai et al.	D14/138
6,173,194 B1 *	1/2001	Vanttila	455/566	D500,485 S *	1/2005	Deguchi	D14/167
D438,854 S *	3/2001	Badoual	D14/138	D512,404 S *	12/2005	Yang	D14/156
D450,675 S *	11/2001	Kim et al.	D14/138	6,980,735 B2 *	12/2005	Horiguchi	396/429
D466,541 S *	12/2002	Yang et al.	D16/218	D514,078 S *	1/2006	Rookard	D14/138
D473,207 S *	4/2003	Tanio	D14/168	D517,042 S *	3/2006	Byun et al.	D14/191
6,591,069 B2 *	7/2003	Horiguchi	396/429	2003/0020694 A1 *	1/2003	Kim et al.	345/169
D486,484 S *	2/2004	Bloomberg et al.	D14/248	2005/0282597 A1 *	12/2005	Park et al.	455/575.4
D491,155 S *	6/2004	Kawakami et al.	D14/138				

* cited by examiner

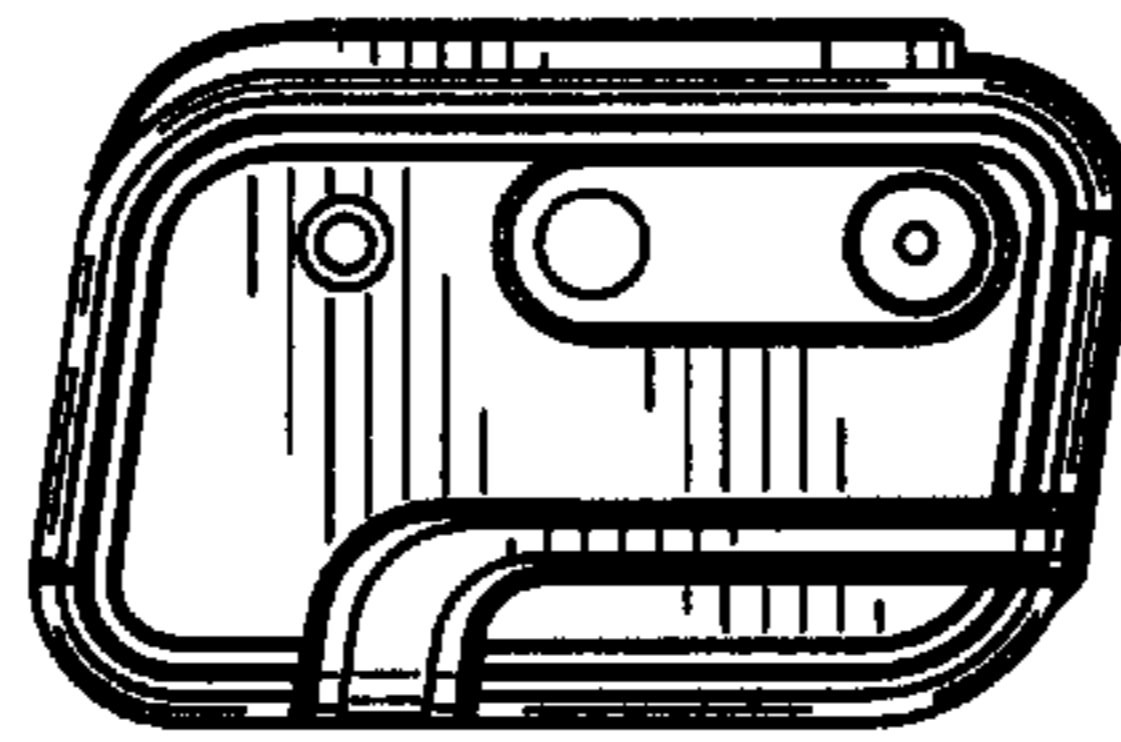


FIG. 1

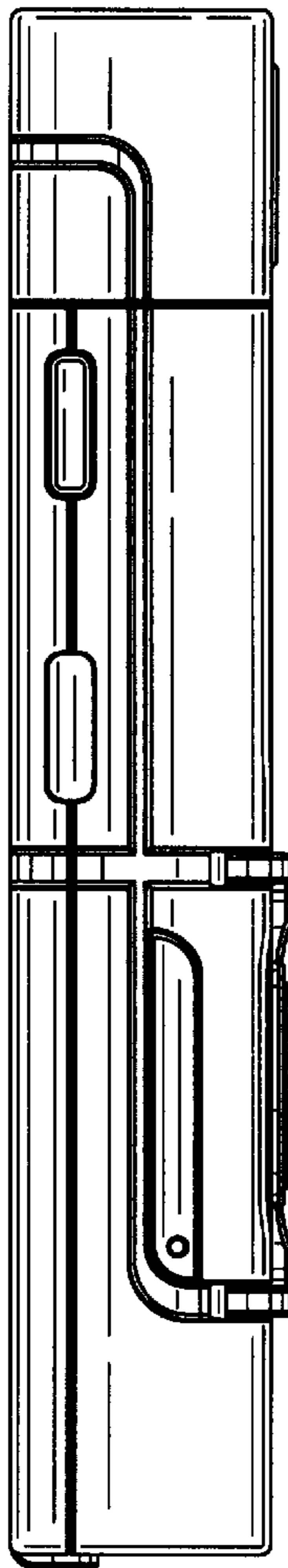


FIG. 2

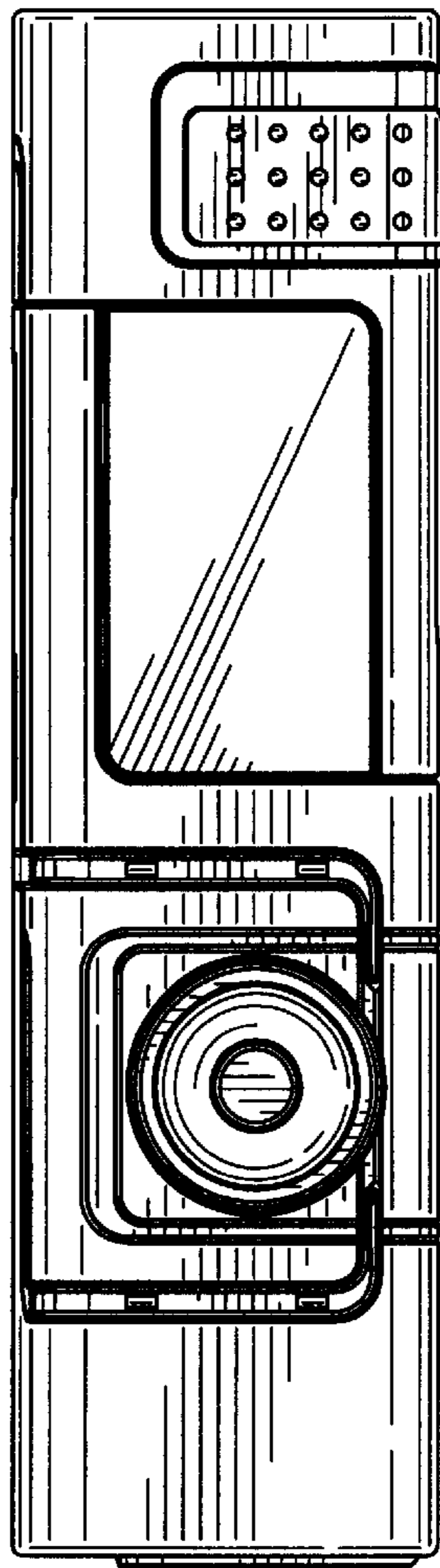


FIG. 3

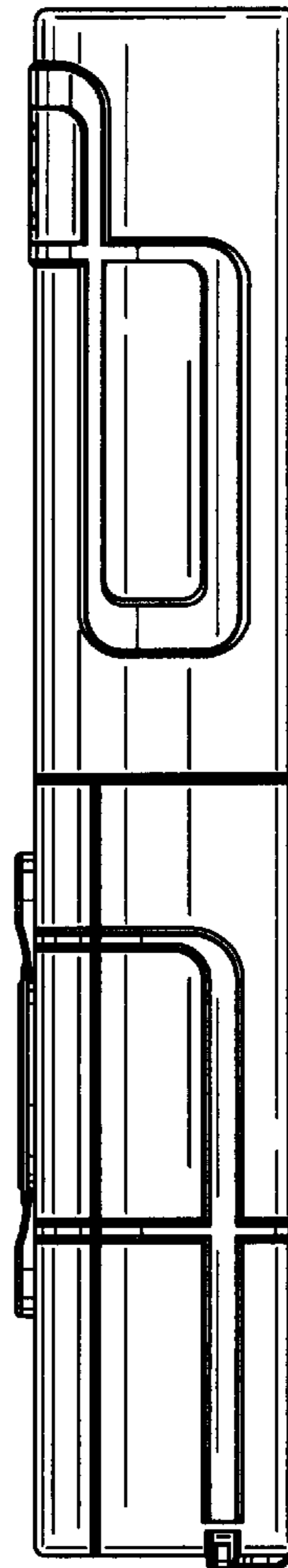


FIG. 4

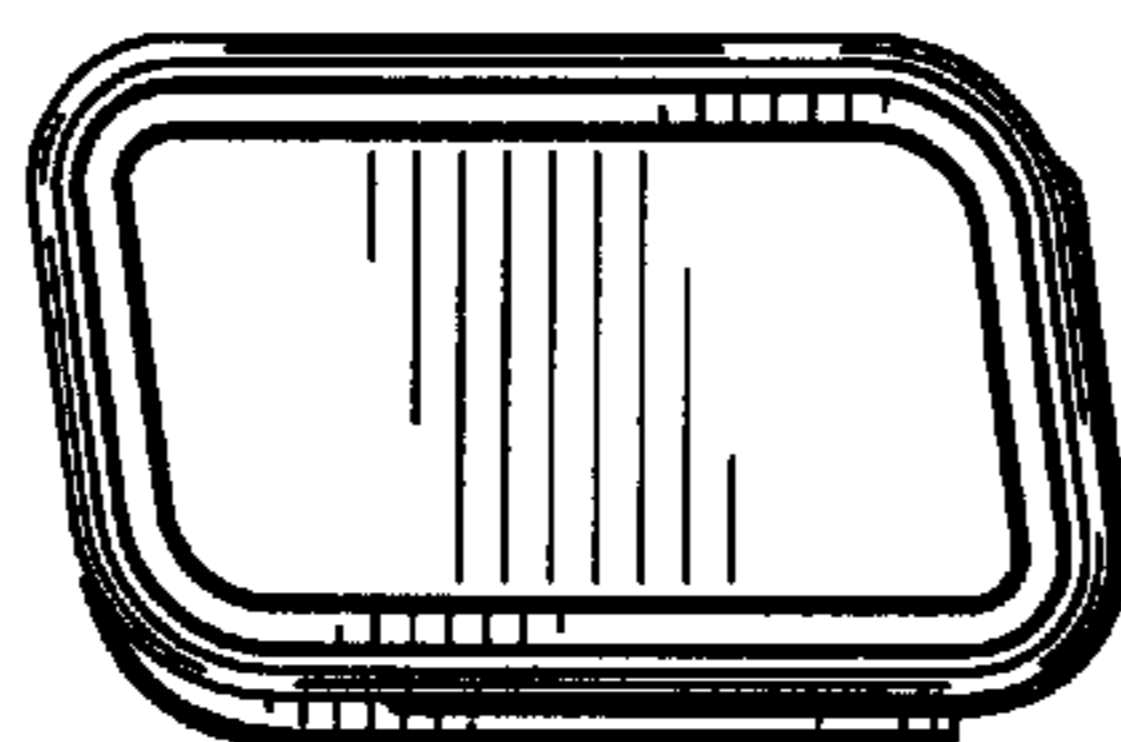


FIG. 5

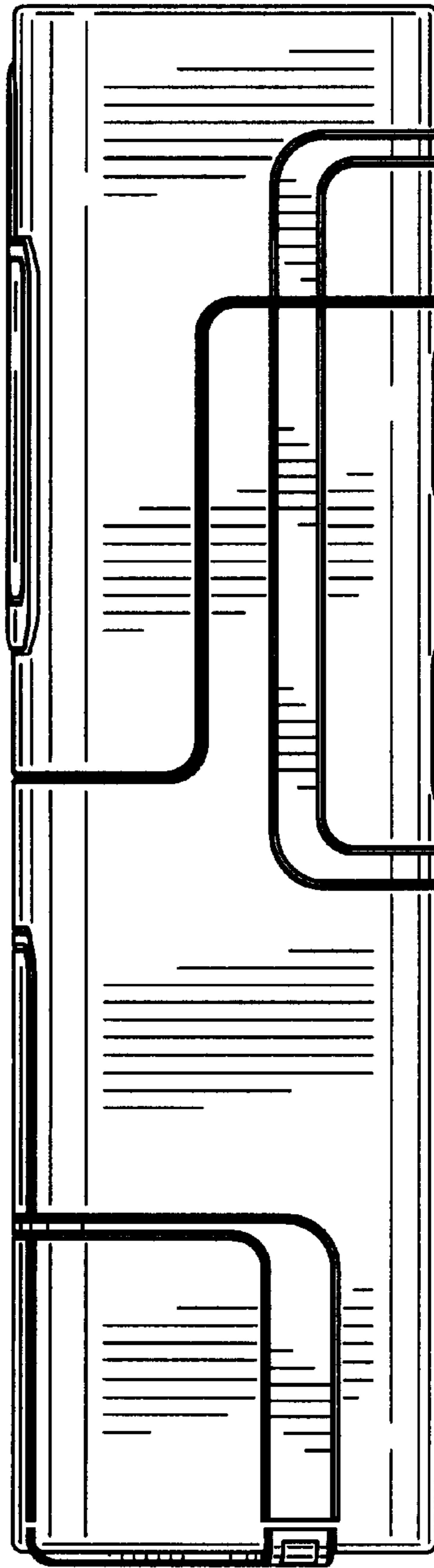


FIG. 6

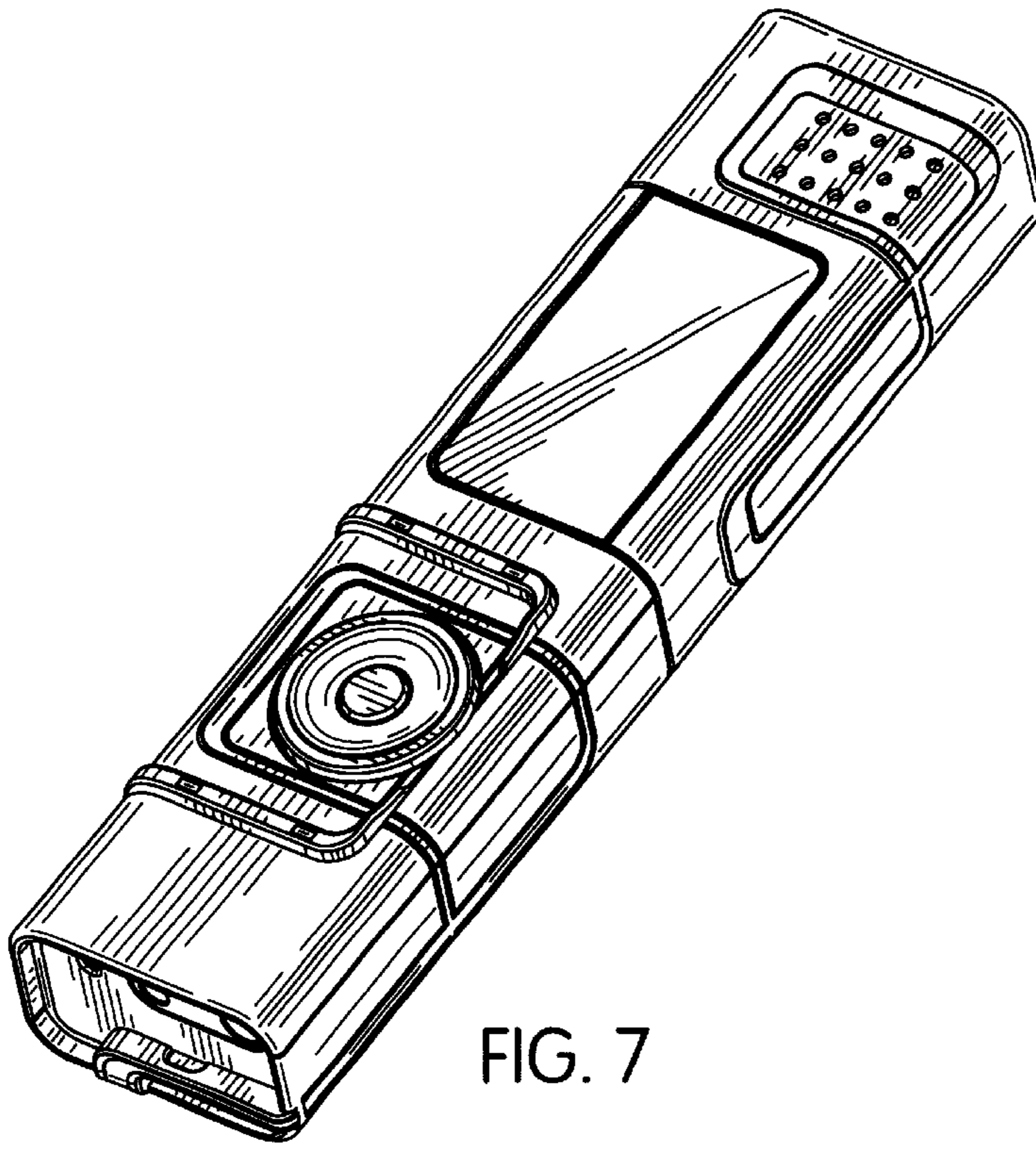


FIG. 7

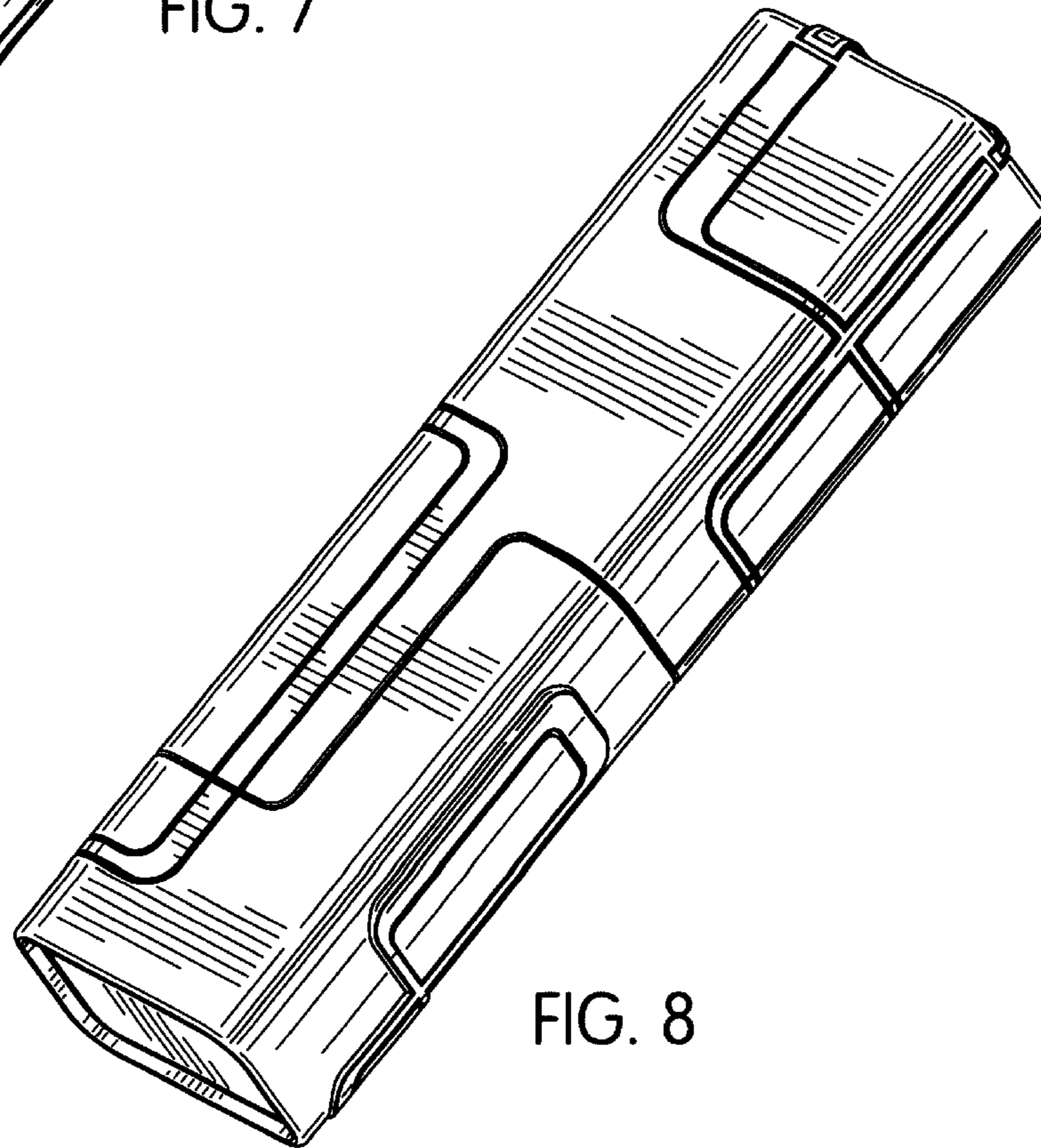


FIG. 8

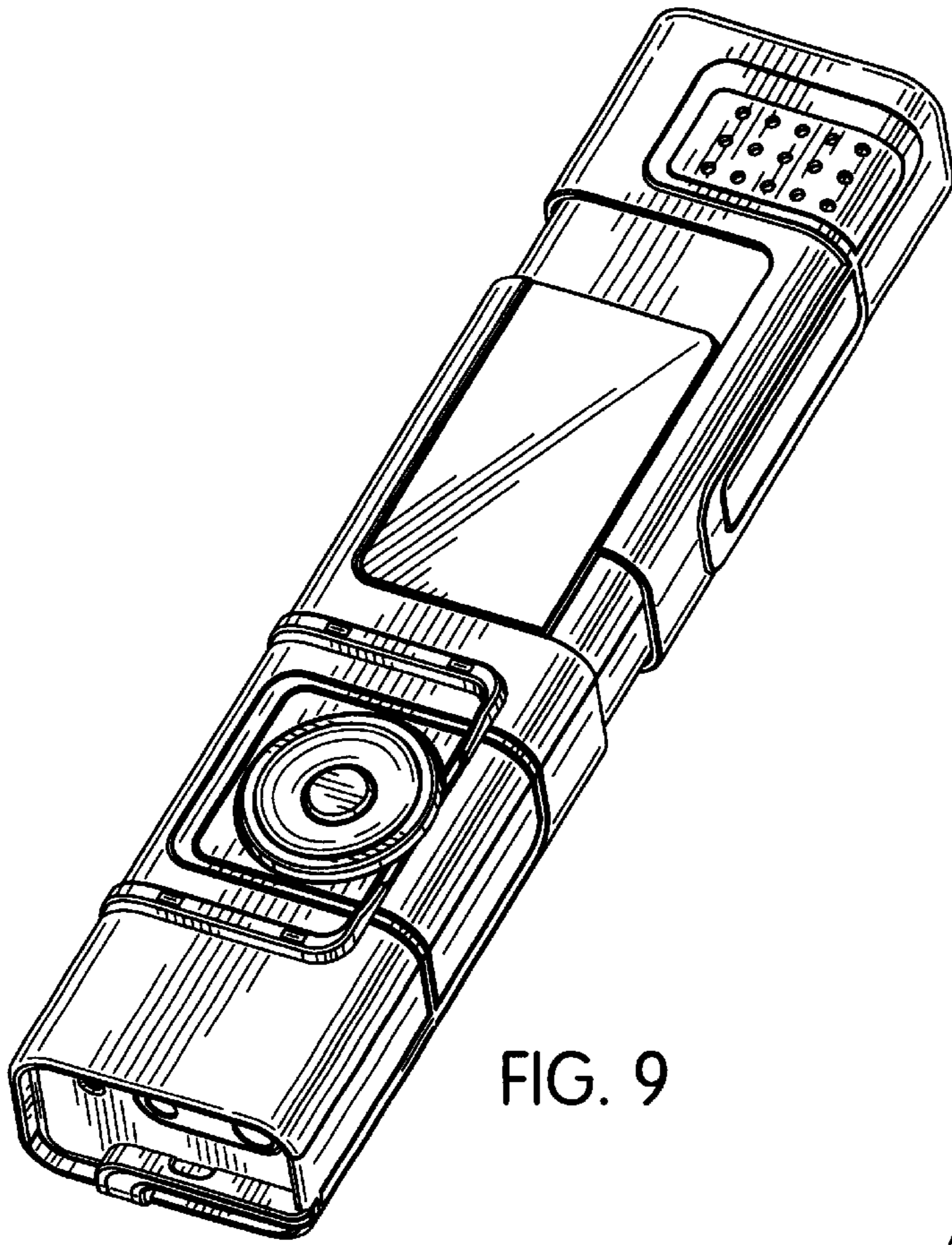


FIG. 9

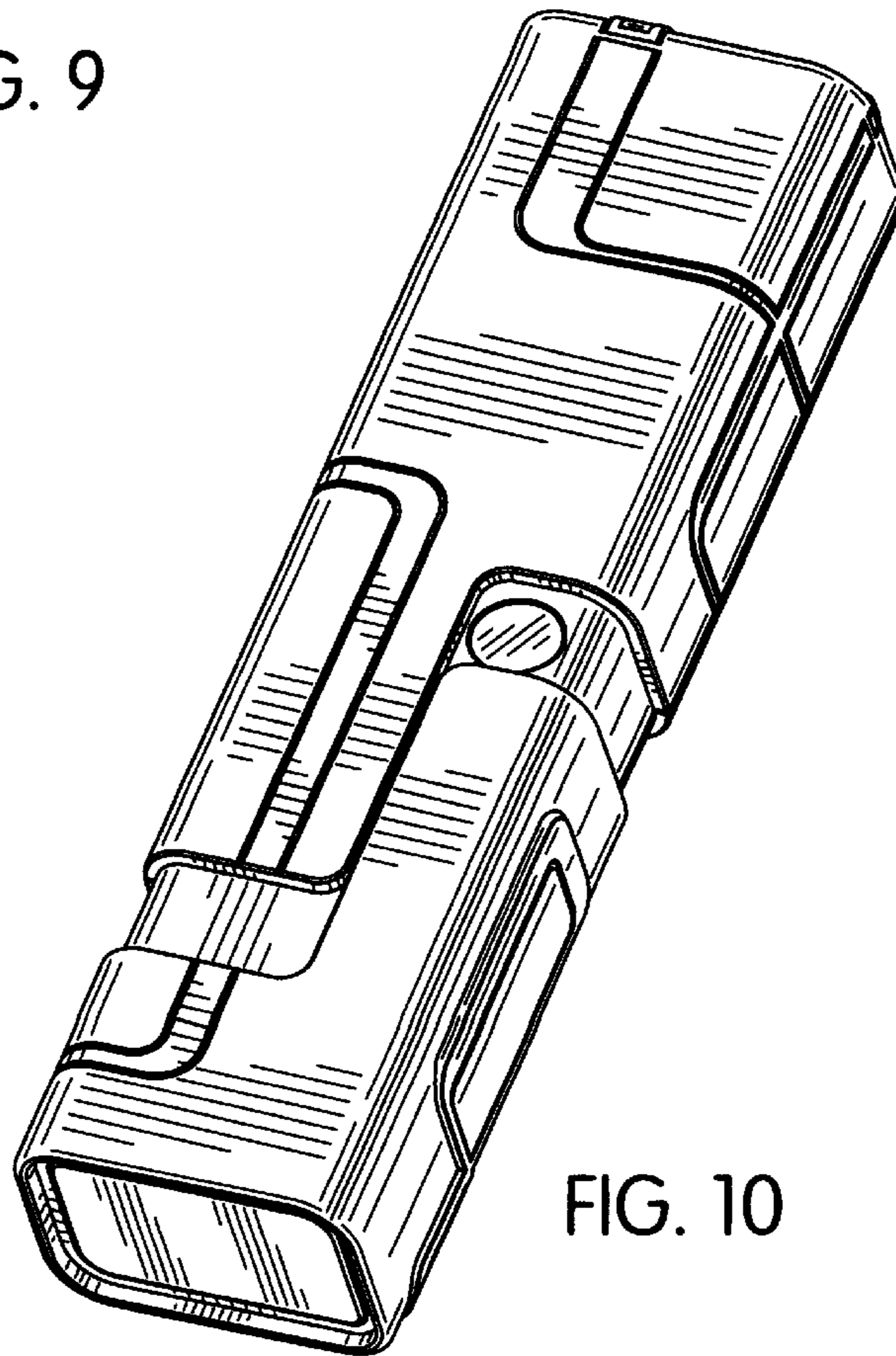


FIG. 10

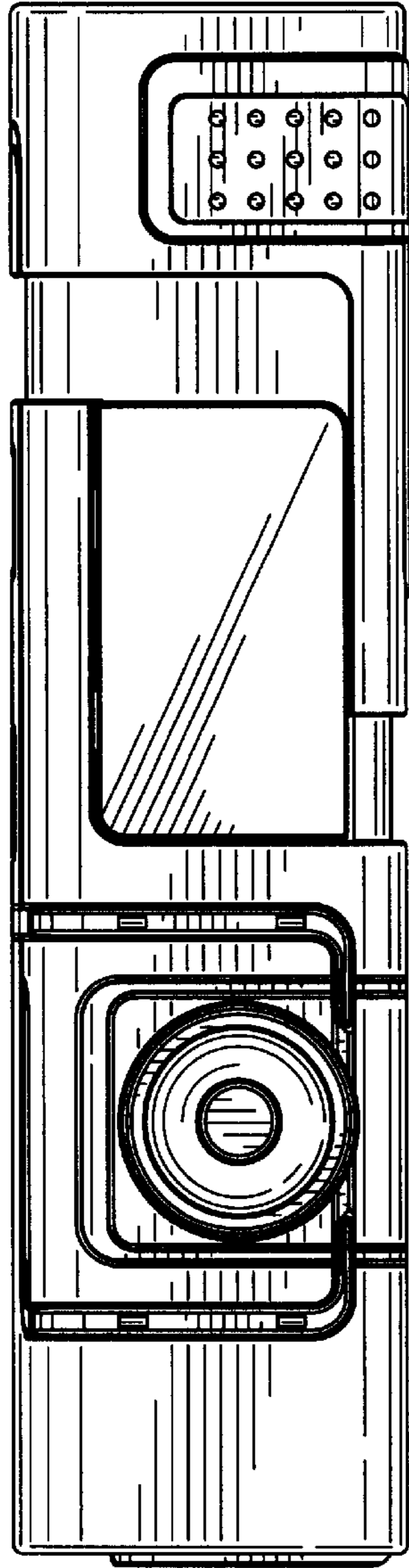


FIG. 11

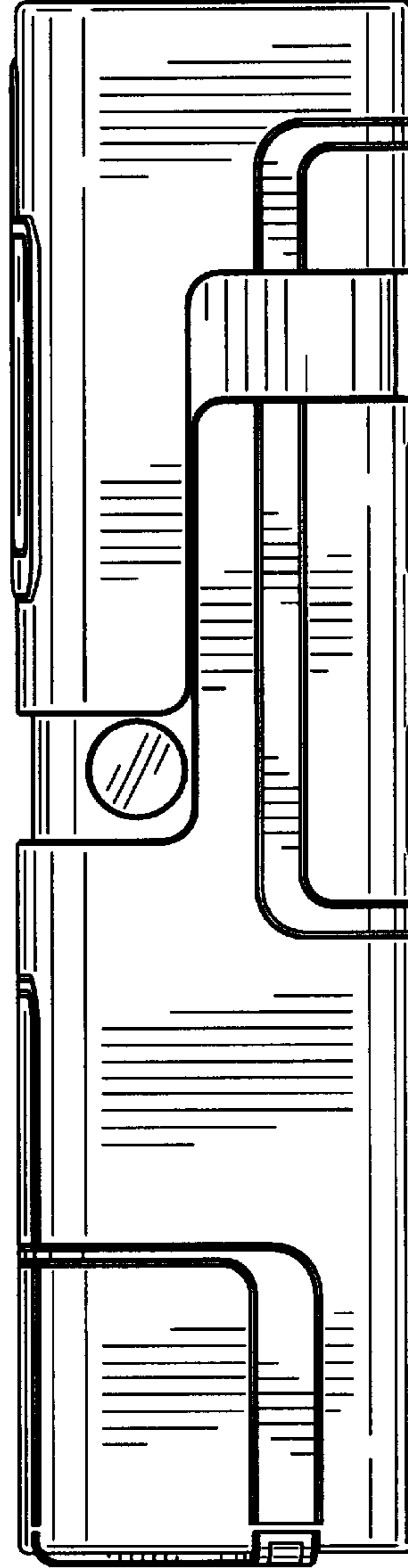


FIG. 12

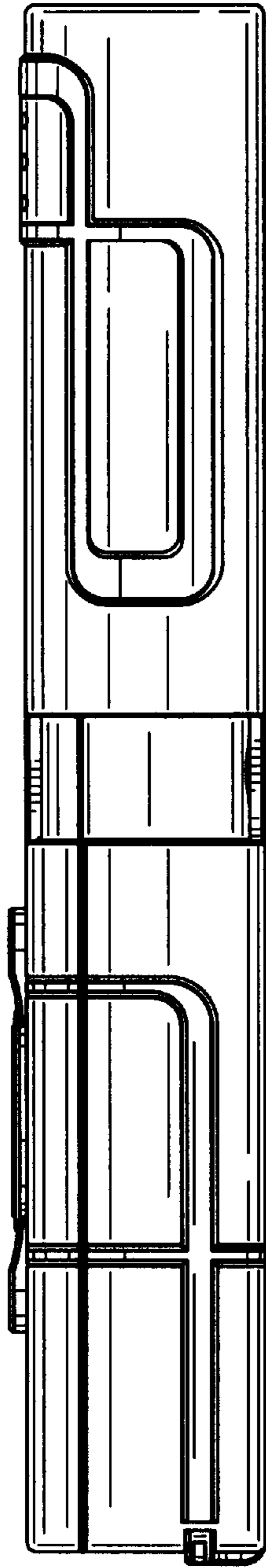


FIG. 13

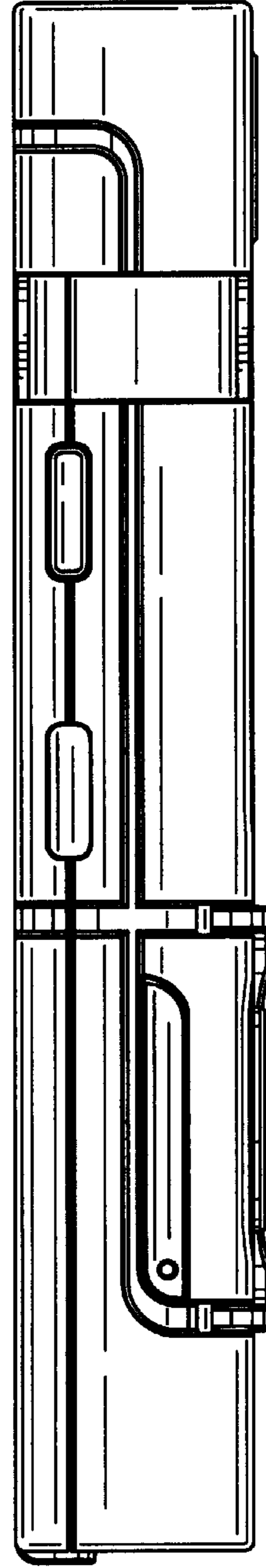


FIG. 14