



US00D537052S

(12) **United States Design Patent**
Villalobos et al.

(10) **Patent No.:** **US D537,052 S**

(45) **Date of Patent:** **** Feb. 20, 2007**

(54) **REAR PROJECTION TELEVISION**

(75) Inventors: **Ernesto Villalobos**, Chula Vista, CA
(US); **Sage Baker**, San Diego, CA
(US); **Masaaki Goto**, Niihama (JP)

(73) Assignee: **Matsushita Electrical Industrial Co., Ltd.**, Osaka (JP)

(**) **Term:** **14 Years**

(21) Appl. No.: **29/218,685**

(22) Filed: **Dec. 6, 2004**

(51) **LOC (8) Cl.** **14-03**

(52) **U.S. Cl.** **D14/128**

(58) **Field of Classification Search** D14/125-135,
D14/239, 379, 371, 374, 375, 376, 113; D13/151,
D13/153; 312/7.2; 348/836, 838, 180, 184,
348/325, 739; 341/12; 248/917-924; 345/104,
345/133, 156, 168, 87, 173; 349/1, 2, 11,
349/62

See application file for complete search history.

(56) **References Cited**

U.S. PATENT DOCUMENTS

- D244,052 S * 4/1977 Boldt et al. D14/126
- D354,486 S * 1/1995 Morita et al. D14/126
- D355,649 S * 2/1995 Gale et al. D14/128
- D368,087 S 3/1996 Gioscia
- D373,356 S * 9/1996 Boyd D14/133
- 5,584,595 A * 12/1996 Gantitano et al. 403/24
- D400,201 S * 10/1998 Tsuge et al. D14/133
- D418,832 S 1/2000 Tsuge
- D425,050 S * 5/2000 Tanigawa et al. D14/126
- D431,232 S 9/2000 Yokoyama et al.
- D441,732 S 5/2001 Ota
- D454,846 S * 3/2002 Goto D14/129

- D457,507 S 5/2002 Lim et al.
- D467,233 S 12/2002 Takemoto et al.
- D473,853 S 4/2003 Inoue et al.
- D485,538 S 1/2004 Goto et al.
- 6,851,810 B2 * 2/2005 Arai et al. 353/15

FOREIGN PATENT DOCUMENTS

- JP D1076543 6/2000
- JP D1121592 9/2001
- JP D1155167 10/2002

* cited by examiner

Primary Examiner—Philip Hyder
Assistant Examiner—Randall H. Gholson

(74) *Attorney, Agent, or Firm*—Brinks Hofer Gilson & Lione

(57) **CLAIM**

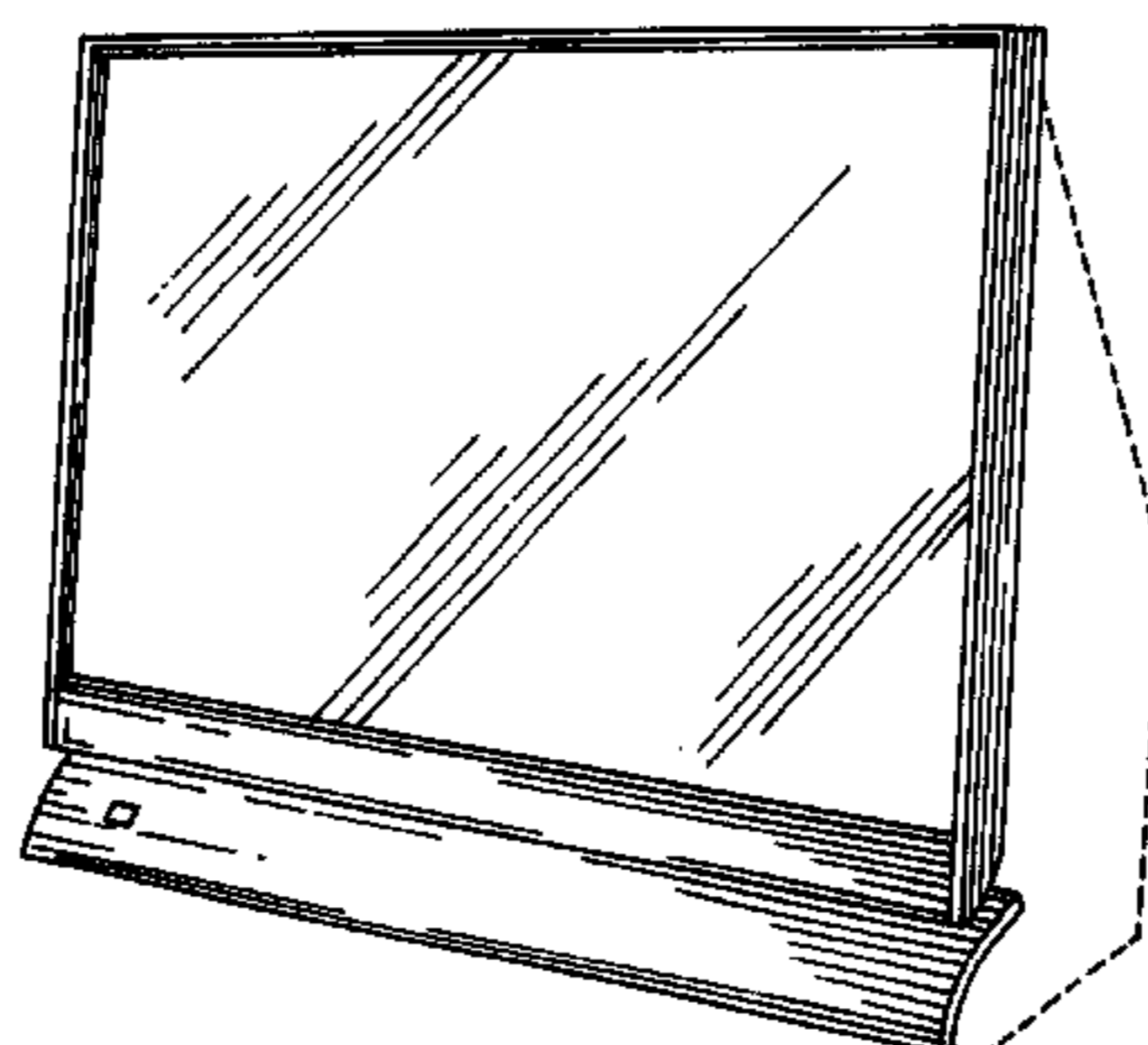
We claim the ornamental design for a rear projection television, as shown and described.

DESCRIPTION

FIG. 1 is a front perspective view of a rear projection television of the present invention;
FIG. 2 is a rear perspective view thereof;
FIG. 3 is a front view thereof;
FIG. 4 is a first side view thereof;
FIG. 5 is a rear view thereof;
FIG. 6 is a second side view thereof;
FIG. 7 is a top view thereof; and,
FIG. 8 is a bottom view thereof.

The ornamental design which is claimed is shown in solid lines in the drawings. Any broken lines in the drawings are for illustrative purposes only and form no part of the claimed design.

1 Claim, 4 Drawing Sheets



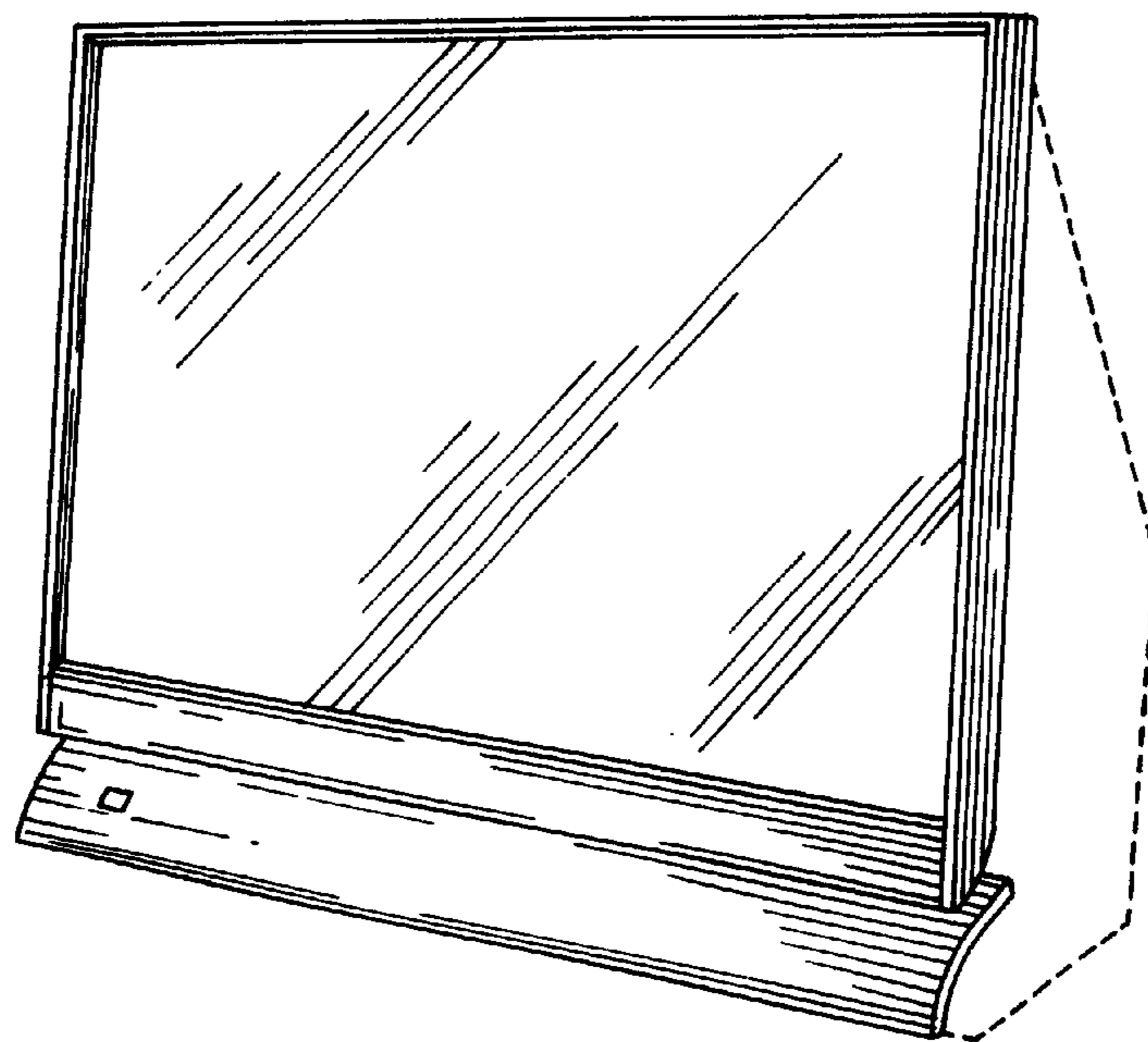


Fig. 1

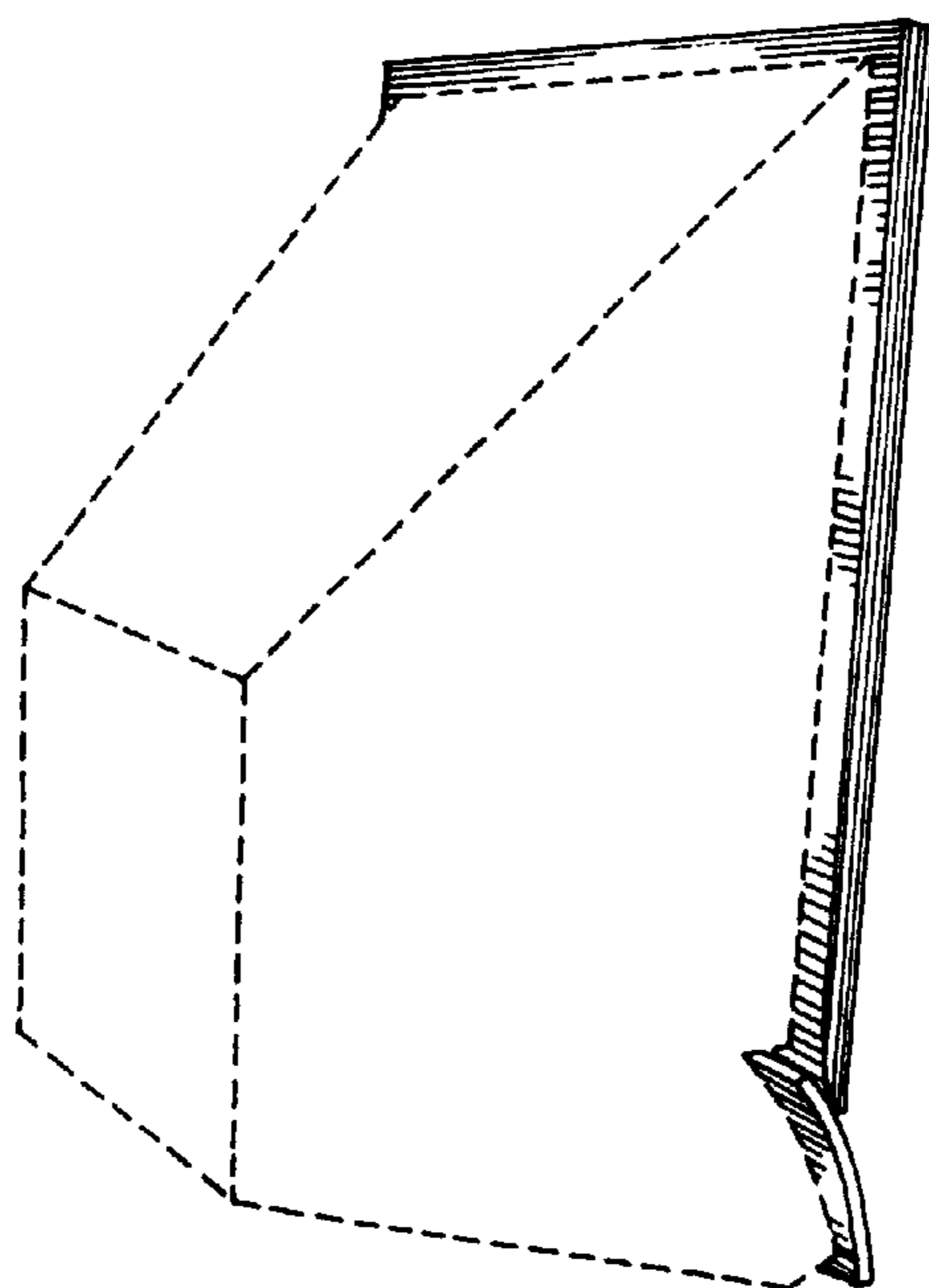


Fig. 2

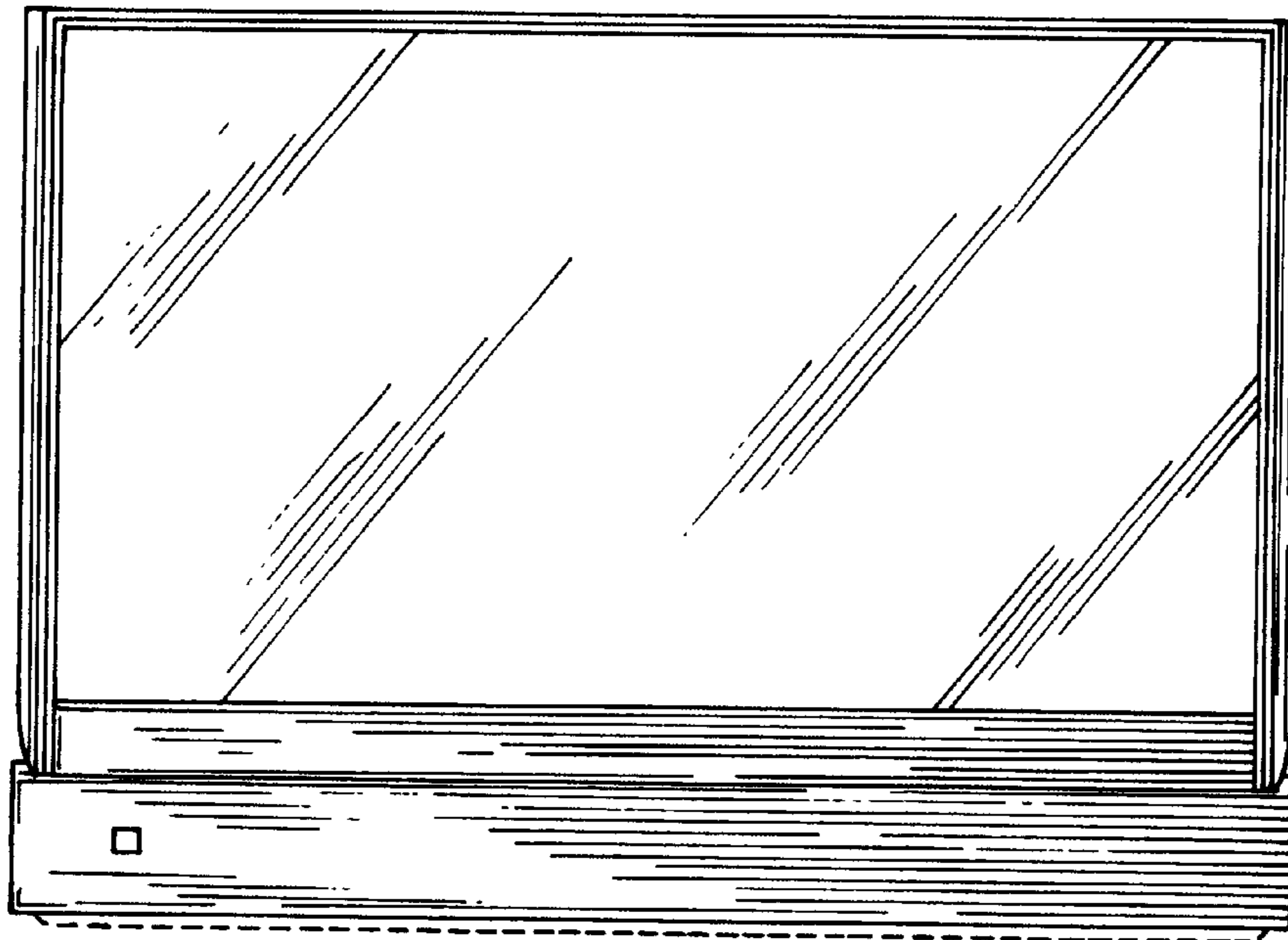


Fig. 3

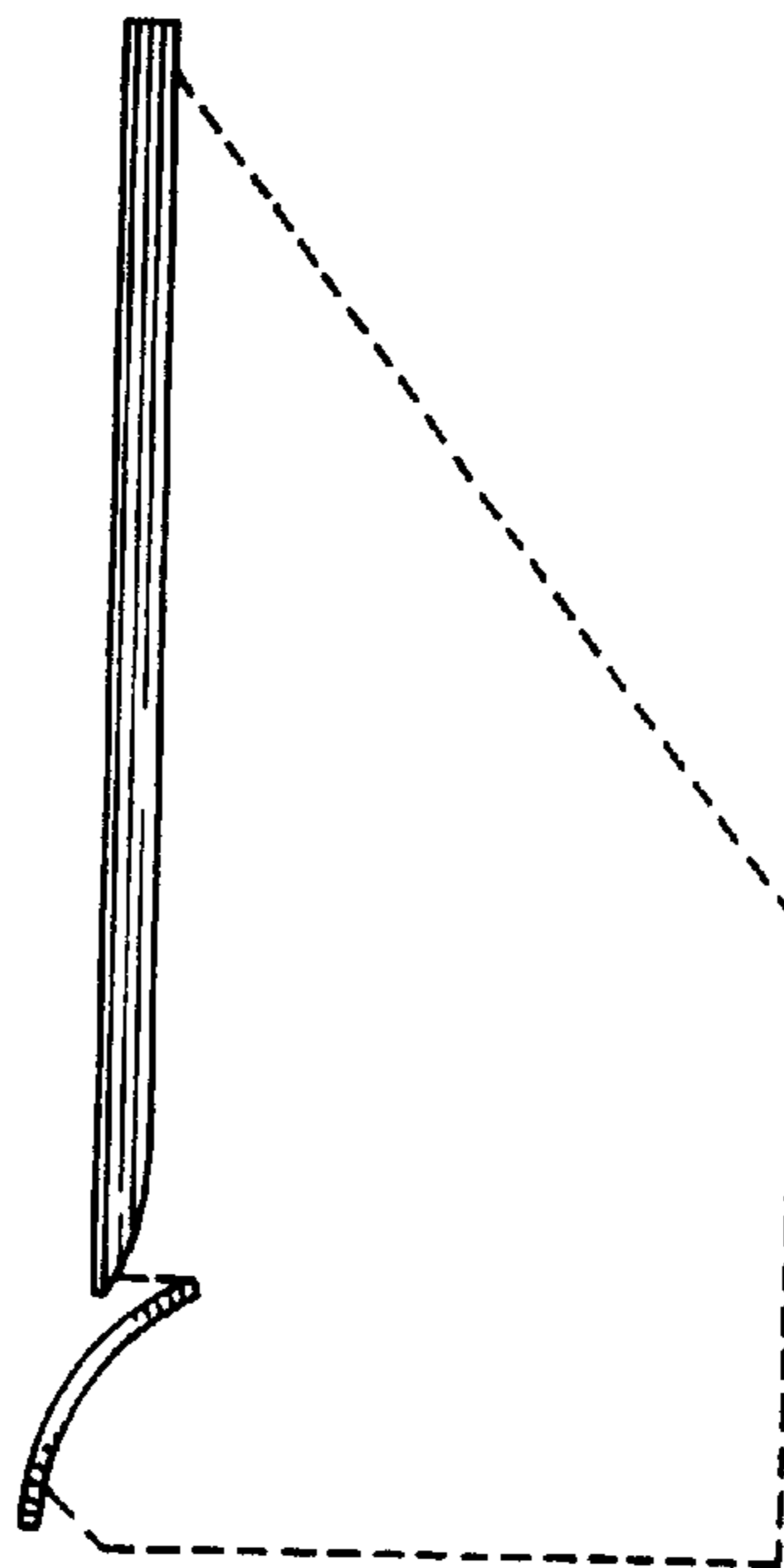


Fig. 4

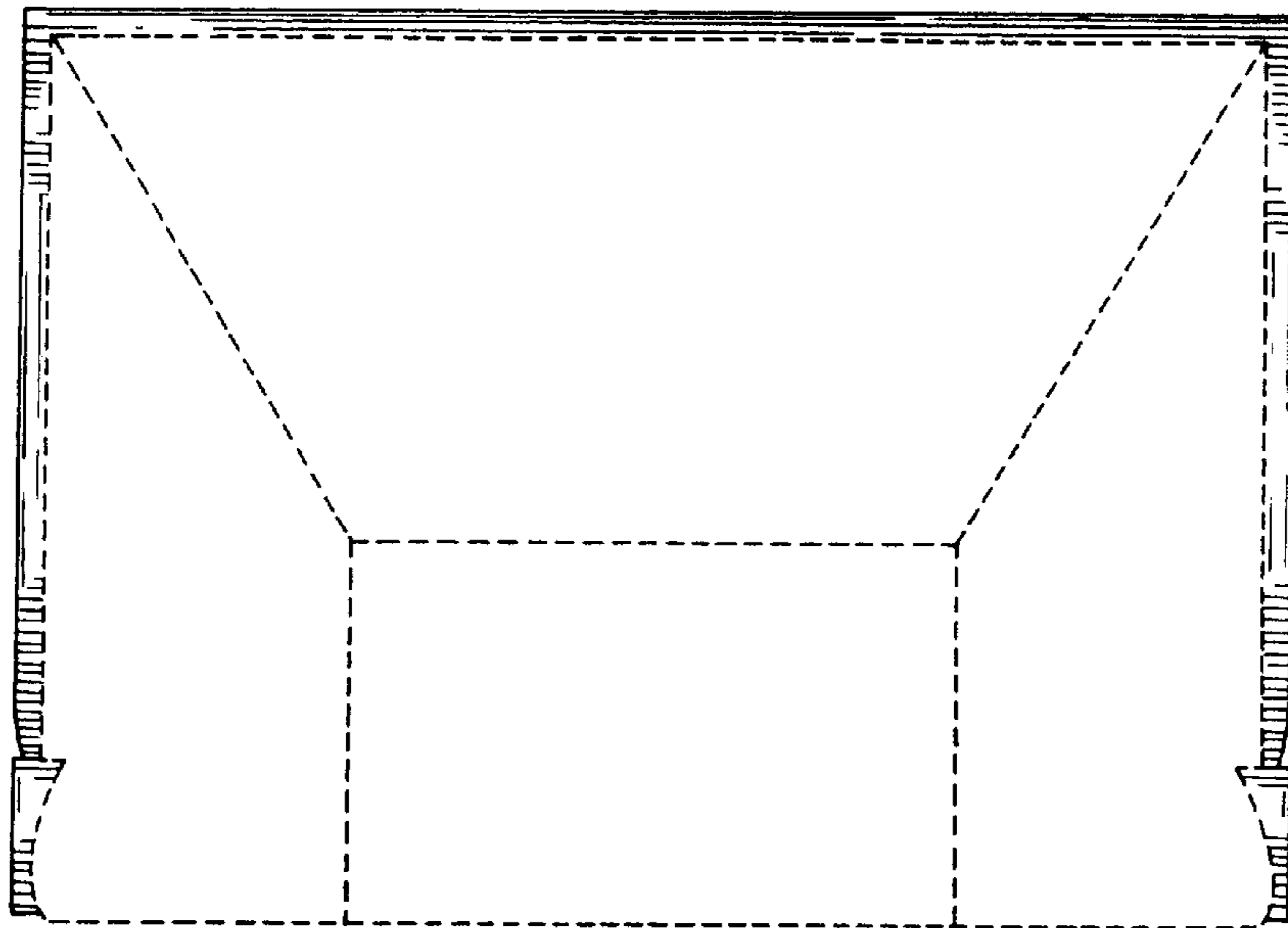


Fig. 5

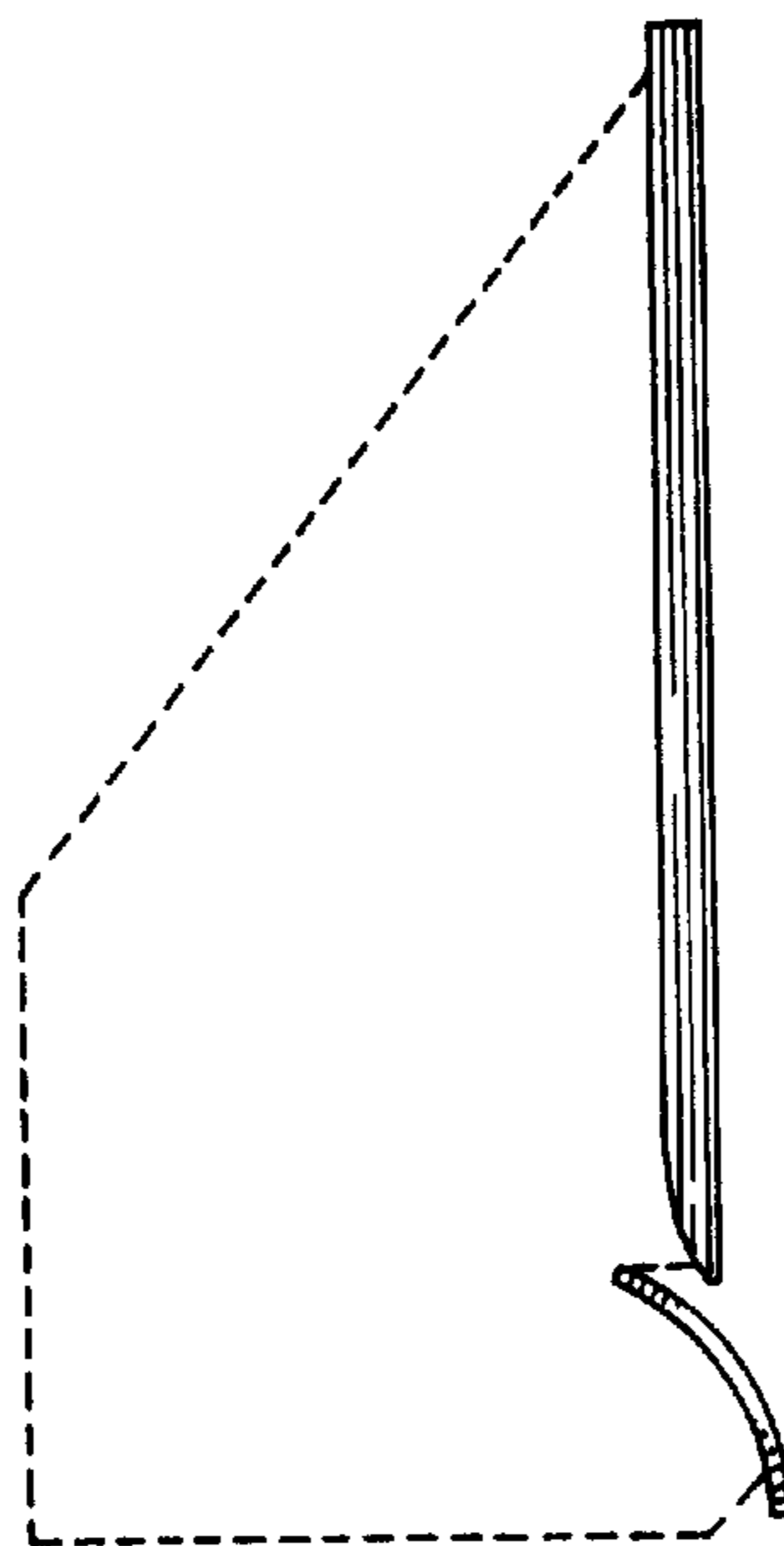


Fig. 6



Fig. 7

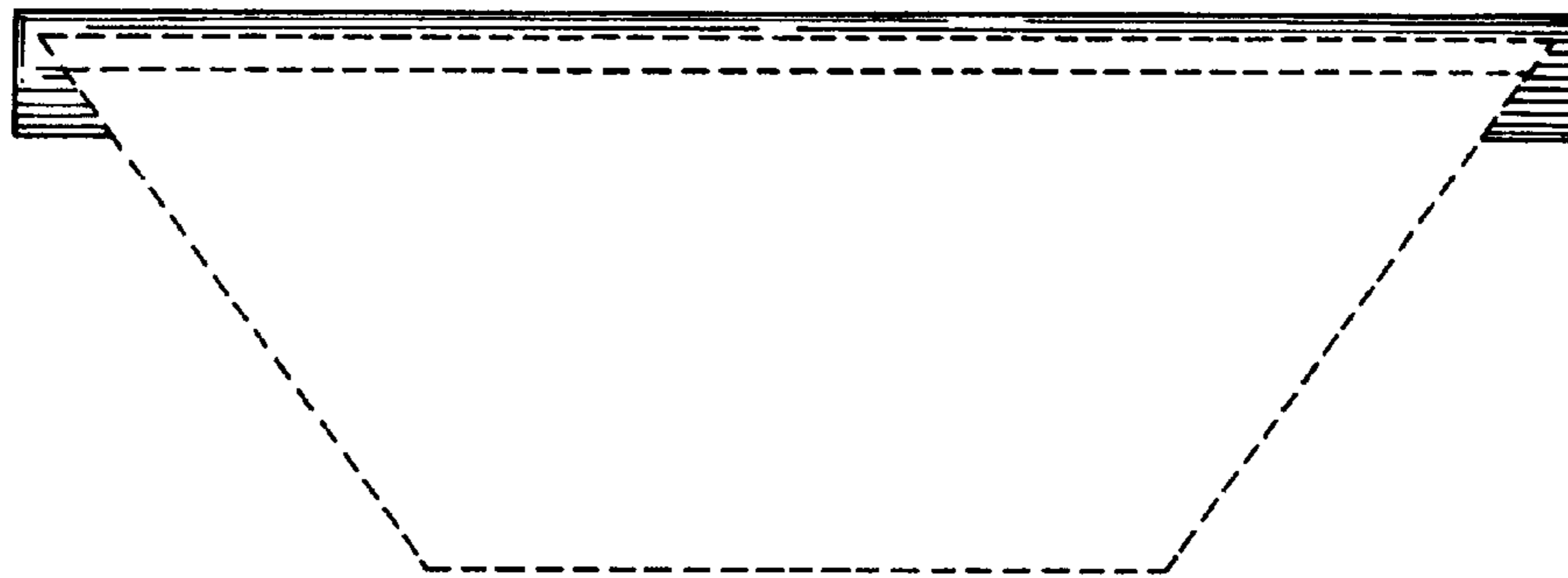


Fig. 8