



US00D537049S

(12) **United States Design Patent**
Peng

(10) **Patent No.:** **US D537,049 S**

(45) **Date of Patent:** **** Feb. 20, 2007**

(54) **PORTABLE LIQUID CRYSTAL DISPLAY**

(75) Inventor: **Juen Tien Peng, Chung Li (TW)**

(73) Assignee: **Action Electronics Co., Ltd, Chung Li (TW)**

(**) Term: **14 Years**

(21) Appl. No.: **29/237,526**

(22) Filed: **Sep. 2, 2005**

(51) **LOC (8) Cl.** **14-03**

(52) **U.S. Cl.** **D14/126**

(58) **Field of Classification Search** D14/125,
D14/126, 127, 128, 129, 133, 374, 375, 376;
348/836, 838, 180, 184, 325, 739; 248/917-924;
345/104, 133, 156, 168, 87, 173; 314/12;
349/1, 2, 11

See application file for complete search history.

(56) **References Cited**

U.S. PATENT DOCUMENTS

D313,431 S * 1/1991 Jaskiel et al. D20/10
D403,670 S * 1/1999 Liao D14/375

D517,508 S * 3/2006 Inaba D14/126
D518,008 S * 3/2006 Peng D14/129
D518,009 S * 3/2006 Peng D14/129
D518,799 S * 4/2006 Peng D14/126
D522,982 S * 6/2006 Rhoades et al. D14/126
D523,831 S * 6/2006 Brunner et al. D14/126

* cited by examiner

Primary Examiner—Philip S. Hyder

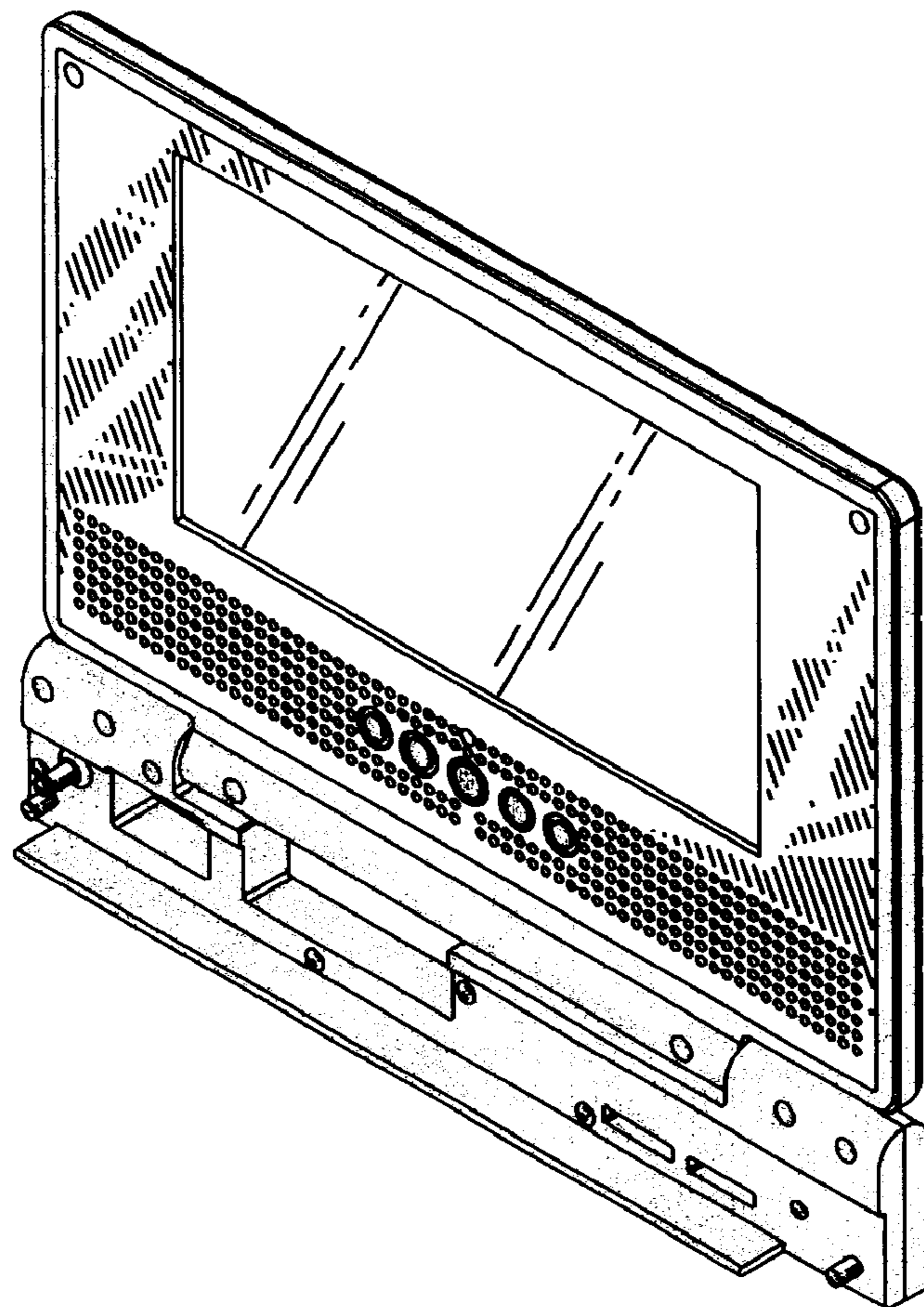
(57) **CLAIM**

The ornamental design for a portable liquid crystal display, as shown and described.

DESCRIPTION

FIG. 1 is a perspective view of a portable liquid crystal display showing the new design; FIG. 2 is a front view thereof; FIG. 3 is a rear view thereof; FIG. 4 is a left side view thereof; FIG. 5 is a right side view thereof; FIG. 6 is a top view thereof; and, FIG. 7 is a bottom view thereof.

1 Claim, 4 Drawing Sheets



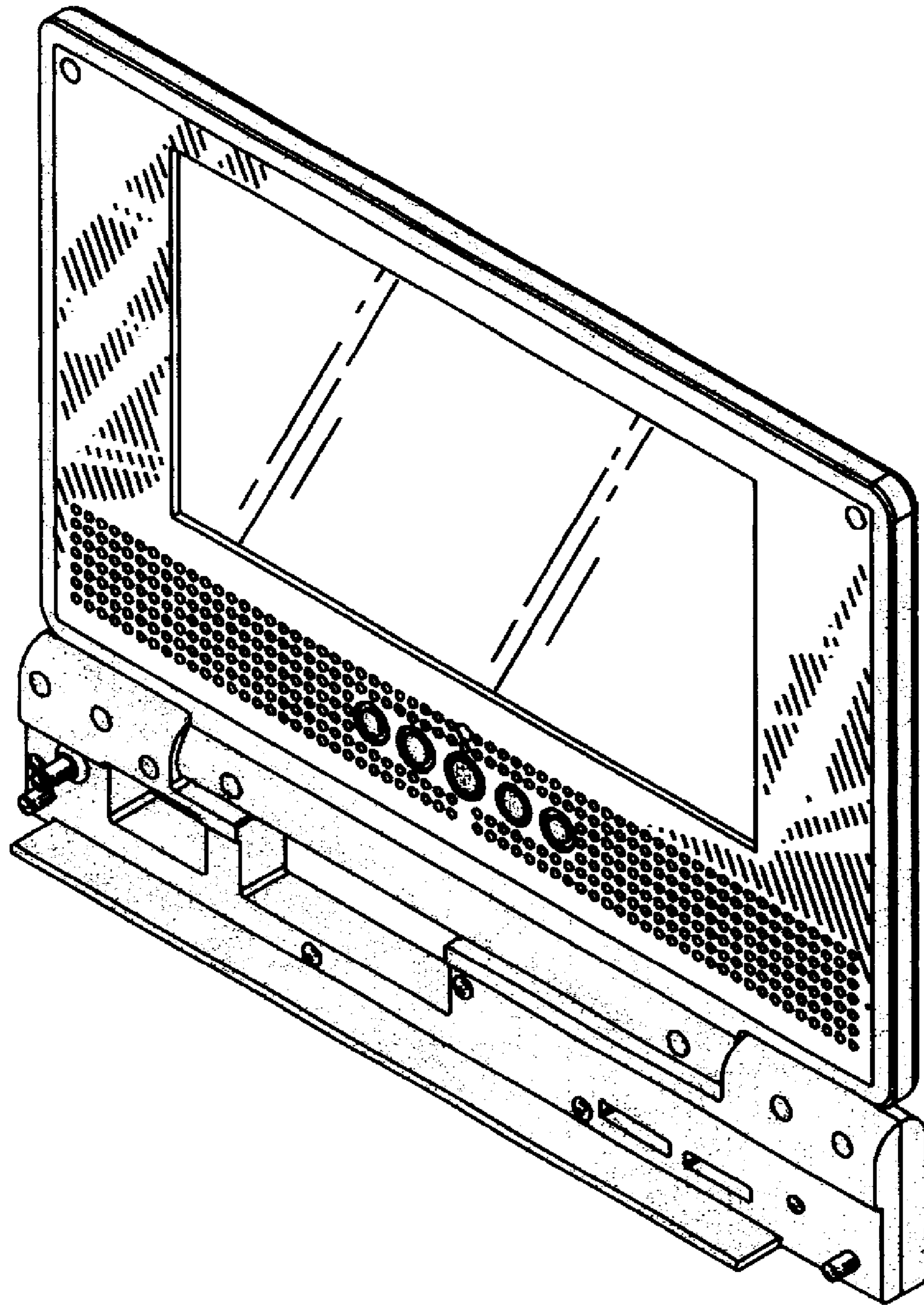


FIG. 1

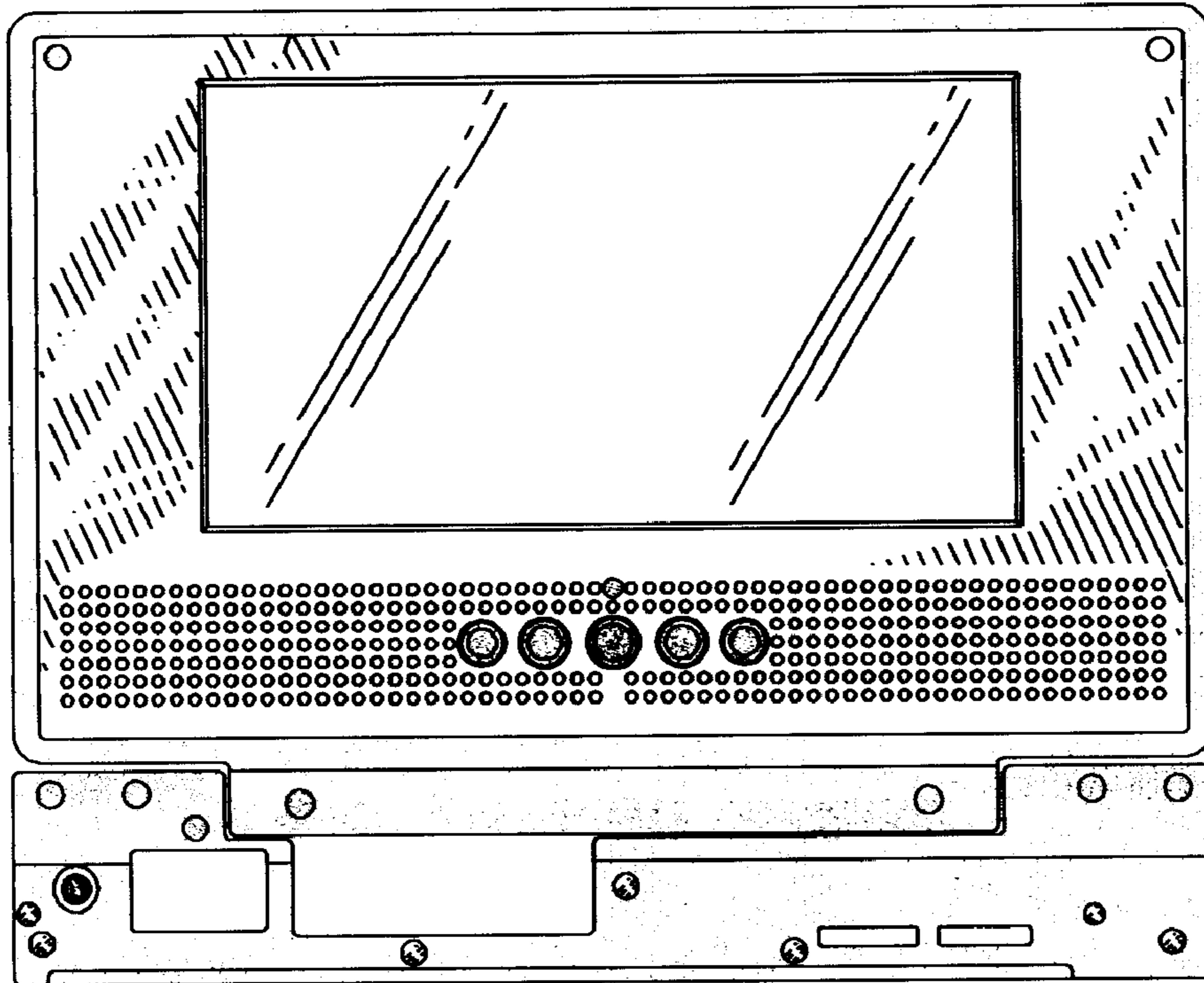


FIG. 2

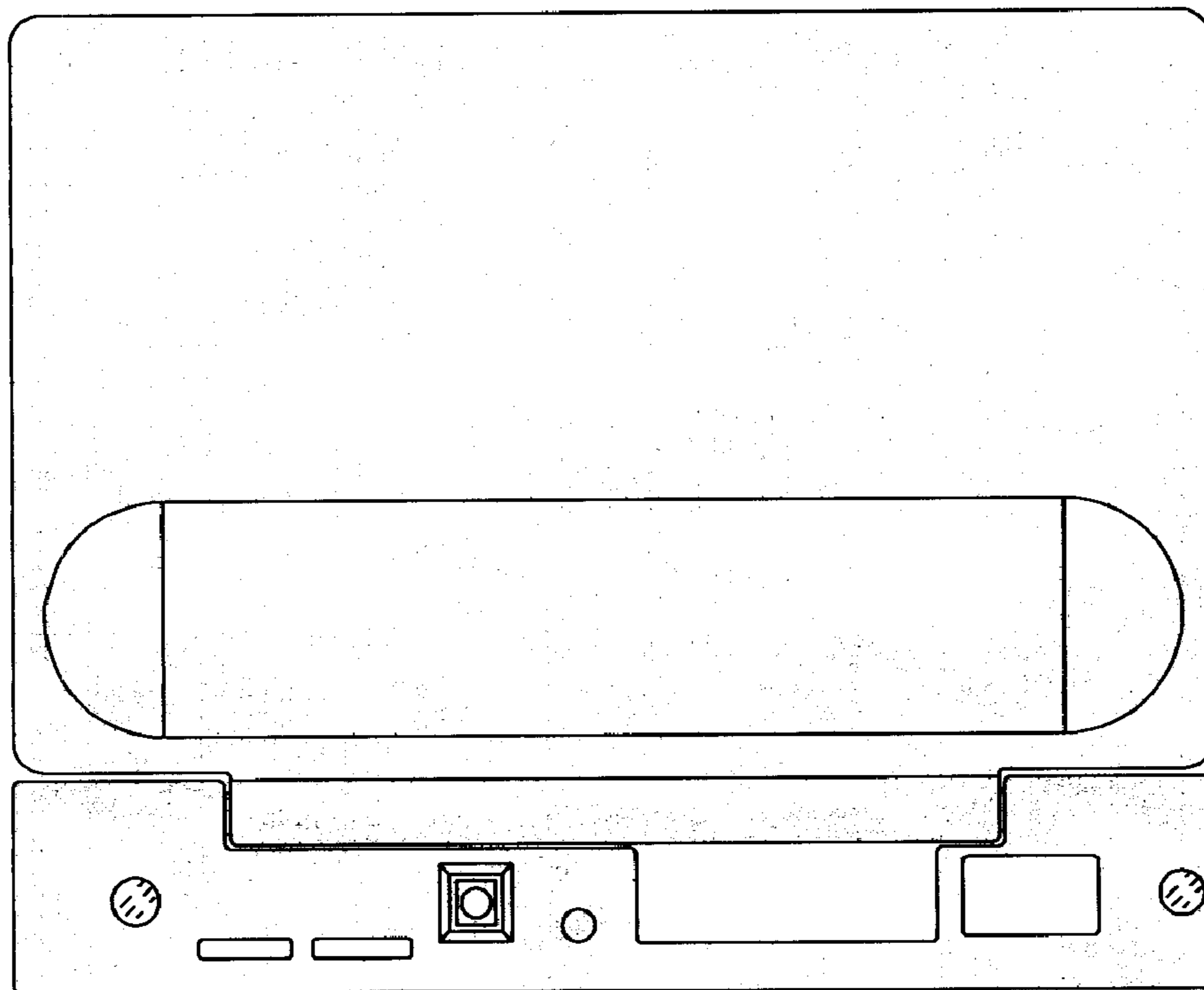


FIG. 3

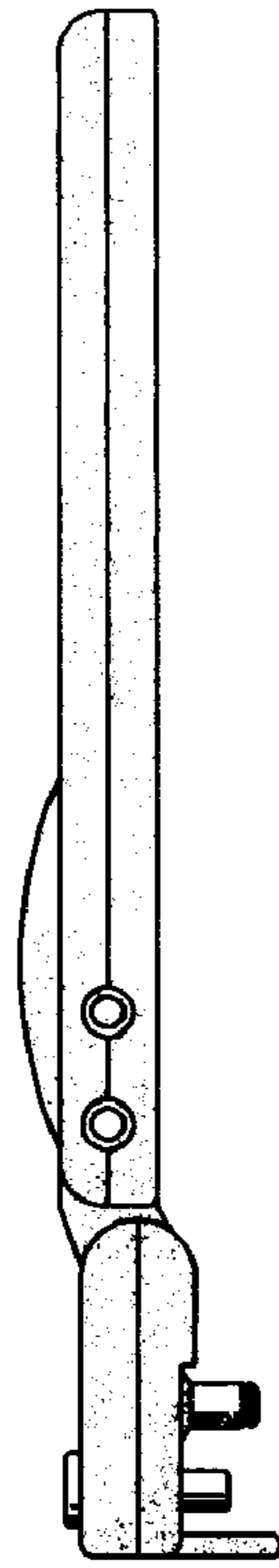


FIG. 4



FIG. 5

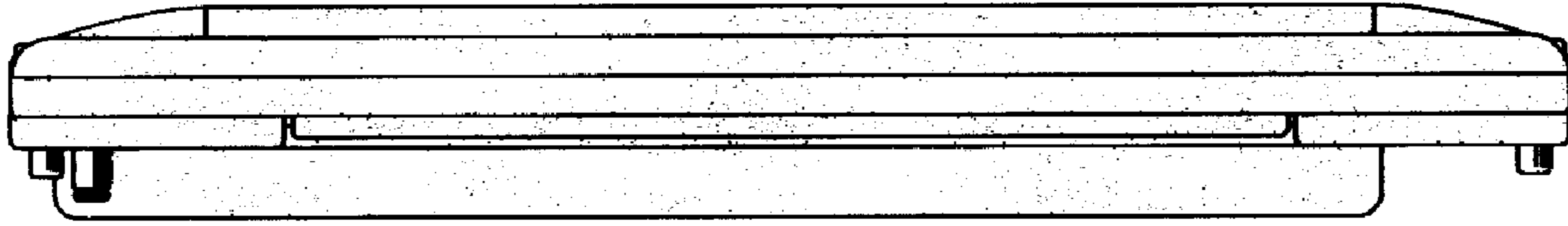


FIG. 6

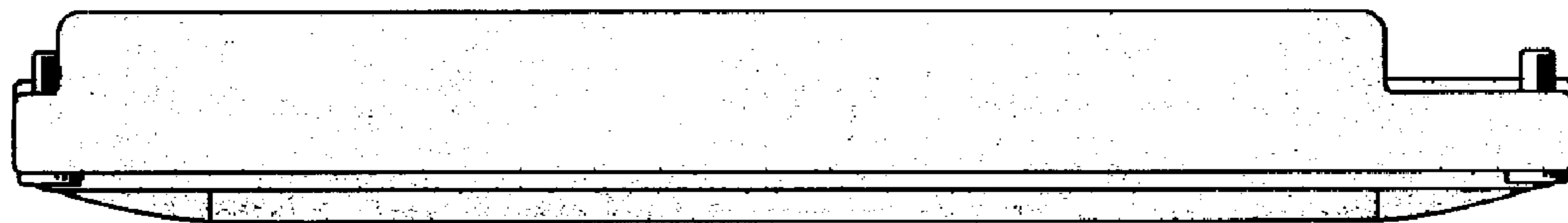


FIG. 7