



US00D537046S

(12) **United States Design Patent**
Blair et al.

(10) **Patent No.:** **US D537,046 S**

(45) **Date of Patent:** **** Feb. 20, 2007**

(54) **KEYPAD FOR CONTROL OF LIGHTS AND FANS**

(75) Inventors: **Edward J. Blair**, Lansdale, PA (US);
Elliot G. Jacoby, Glenside, PA (US);
Noel Mayo, Philadelphia, PA (US);
Jeremy R. Nearhoof, Conshohocken, PA (US); **Michael W. Pessina**, Allentown, PA (US)

(73) Assignee: **Lutron Electronics Co., Inc.**, Coopersburg, PA (US)

(**) Term: **14 Years**

(21) Appl. No.: **29/264,629**

(22) Filed: **Aug. 15, 2006**

Related U.S. Application Data

(62) Division of application No. 29/231,412, filed on Jun. 3, 2005.

(51) **LOC (8) Cl.** **13-03**

(52) **U.S. Cl.** **D13/162; D13/171**

(58) **Field of Classification Search** D13/162, D13/164, 169, 170, 171; D10/108, 116, 118; D8/353; 200/5 A, 293, 296, 297, 329, 333, 200/335, 339, 341, 520, 530, 537, 552; 220/241; 307/125, 139; 315/291-296

See application file for complete search history.

(56) **References Cited**

U.S. PATENT DOCUMENTS

D241,853 S 10/1976 Spira et al. D13/170

D350,531 S	9/1994	Tsuji	D13/164
D353,798 S	12/1994	Bryde et al.	D13/169
D384,646 S	10/1997	Miller et al.	D13/170
6,005,308 A	12/1999	Bryde et al.	307/157
6,120,262 A	9/2000	McDonough et al.	417/424.1
6,169,377 B1	1/2001	Bryde et al.	315/294
D437,585 S	2/2001	Mayo et al.	D13/174
D439,220 S	3/2001	Mayo et al.	D13/125
D450,043 S	11/2001	Mosebrook	D13/171
D481,365 S	10/2003	Mayo et al.	D13/171
D482,007 S	11/2003	Mayo et al.	D13/171
D496,335 S	9/2004	Spira	D13/168

Primary Examiner—Selina Sikder

(74) *Attorney, Agent, or Firm*—Drinker Biddle & Reath LLP

(57) **CLAIM**

The ornamental design for a keypad for control of lights and fans, as shown and described.

DESCRIPTION

FIG. 1 is a perspective view of a keypad for control of lights and fans showing our new design.

FIG. 2 is a front view thereof.

FIG. 3 is a left side view thereof.

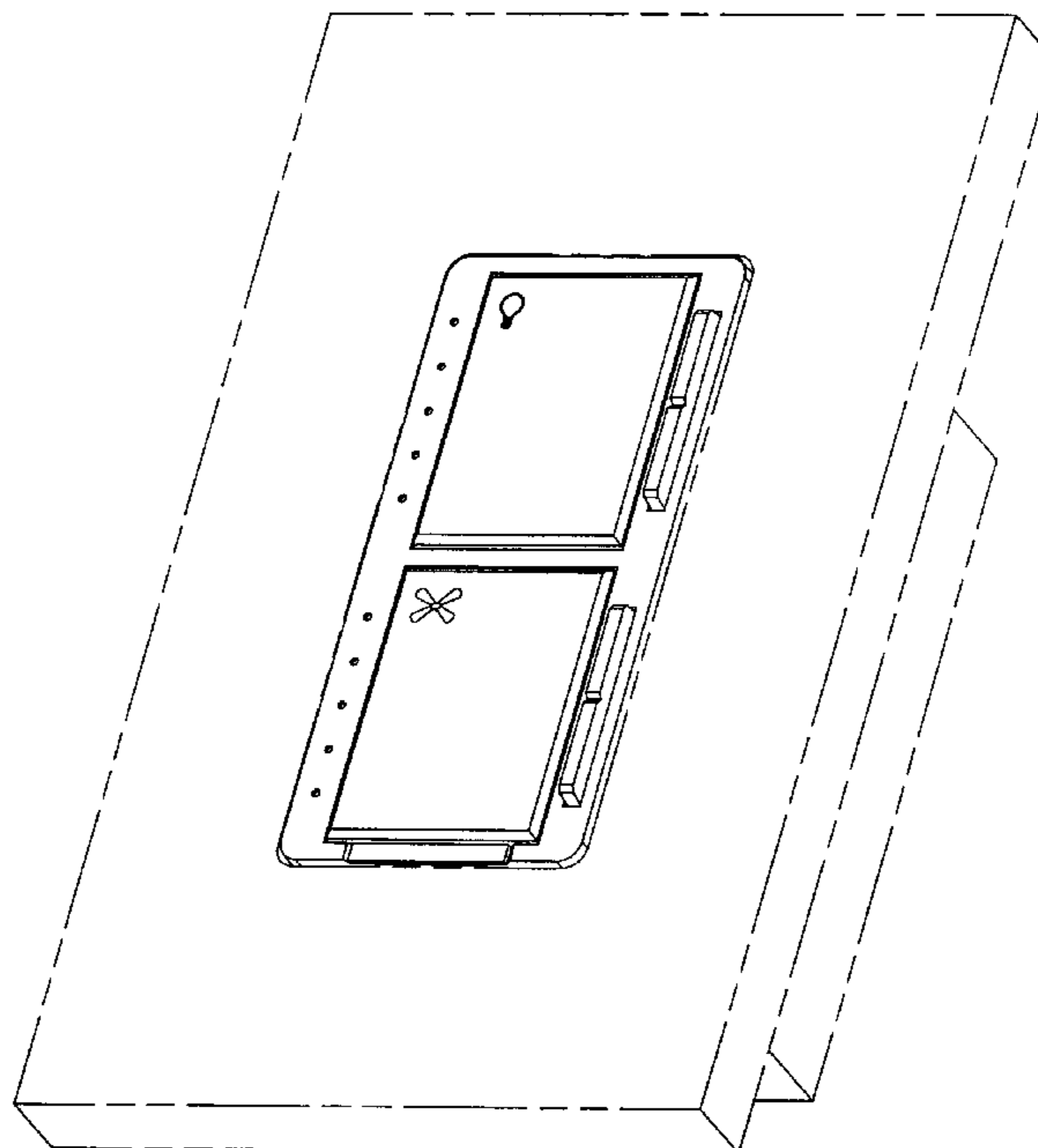
FIG. 4 is a right side view thereof.

FIG. 5 is a top view thereof; and,

FIG. 6 is a bottom view thereof.

The rear view forms no part of the design and is omitted. The portions of the drawings appearing in broken line are for environment only and do not form a part of the design.

1 Claim, 4 Drawing Sheets



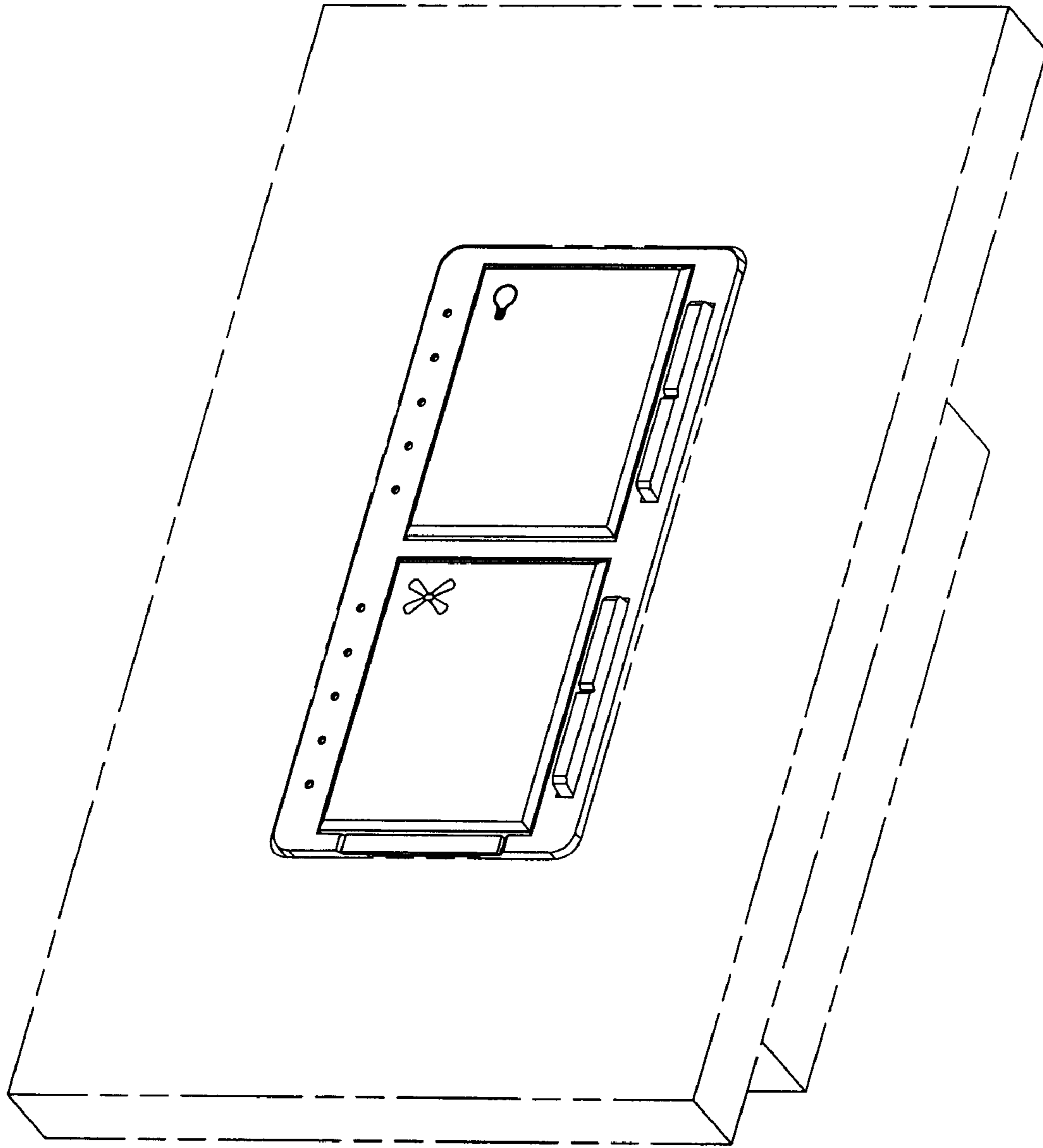


FIG. 1

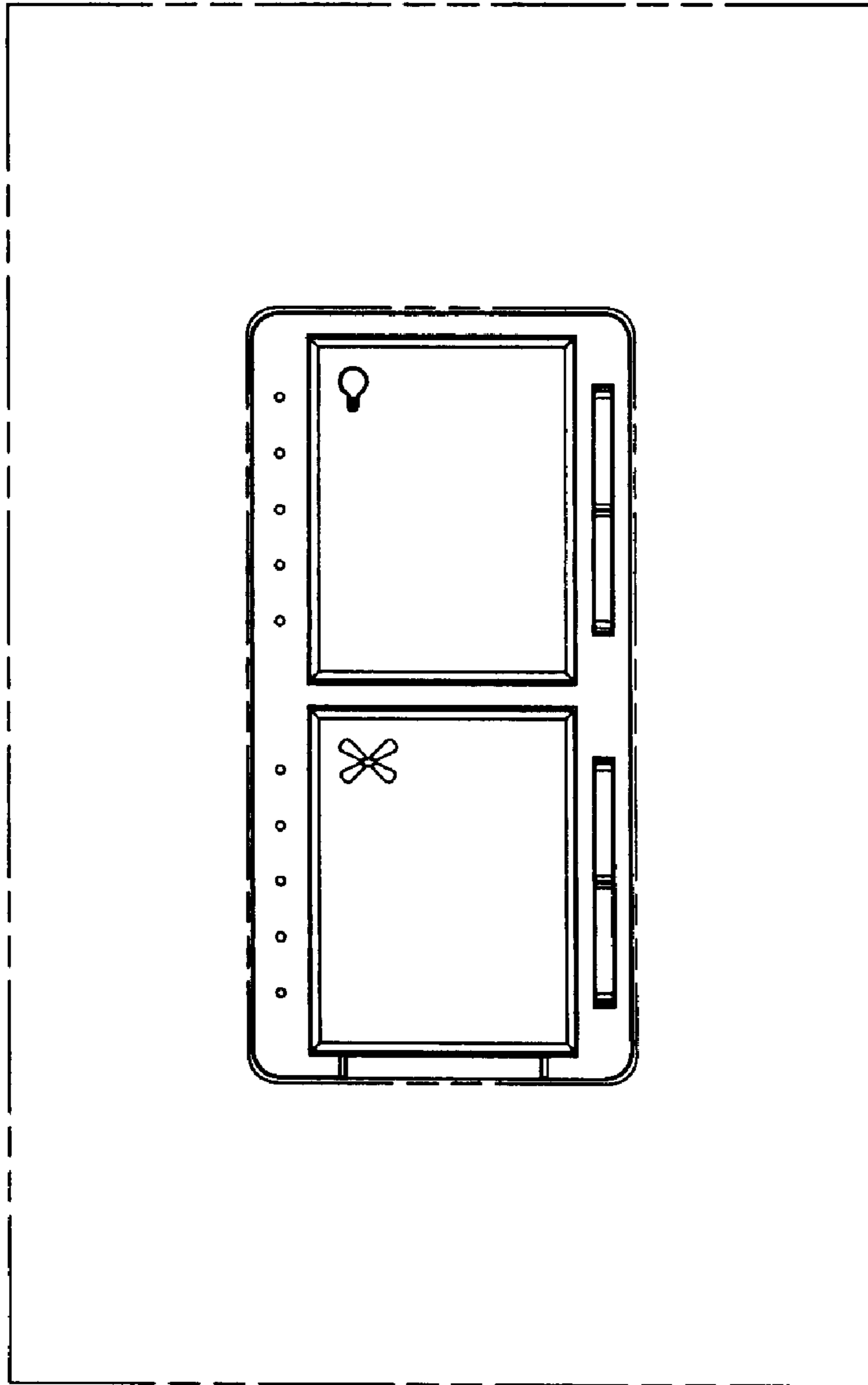


FIG. 2

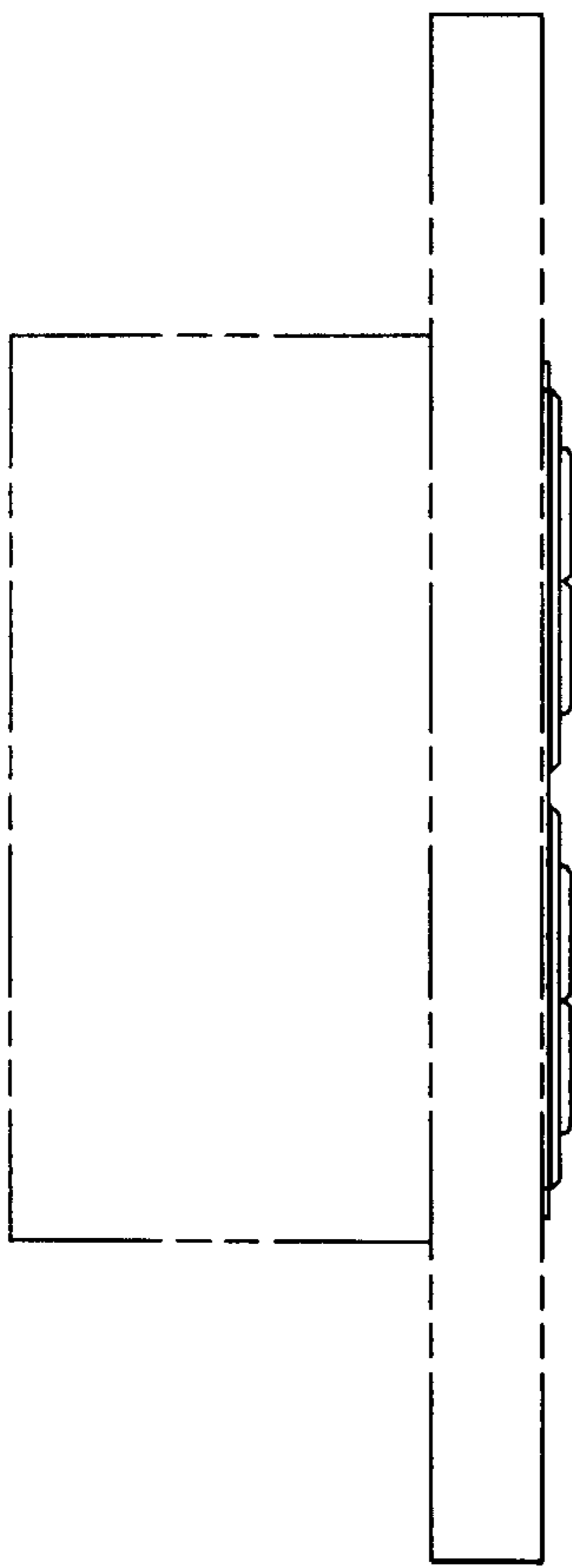


FIG. 3

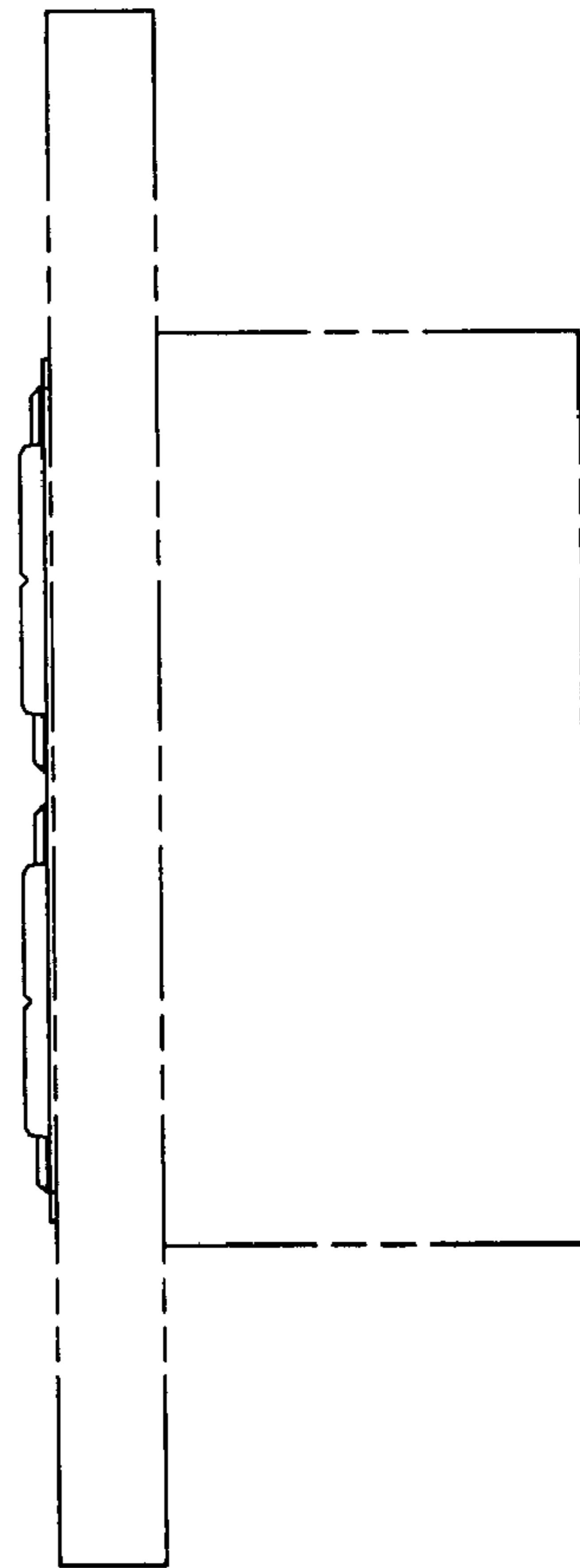


FIG. 4

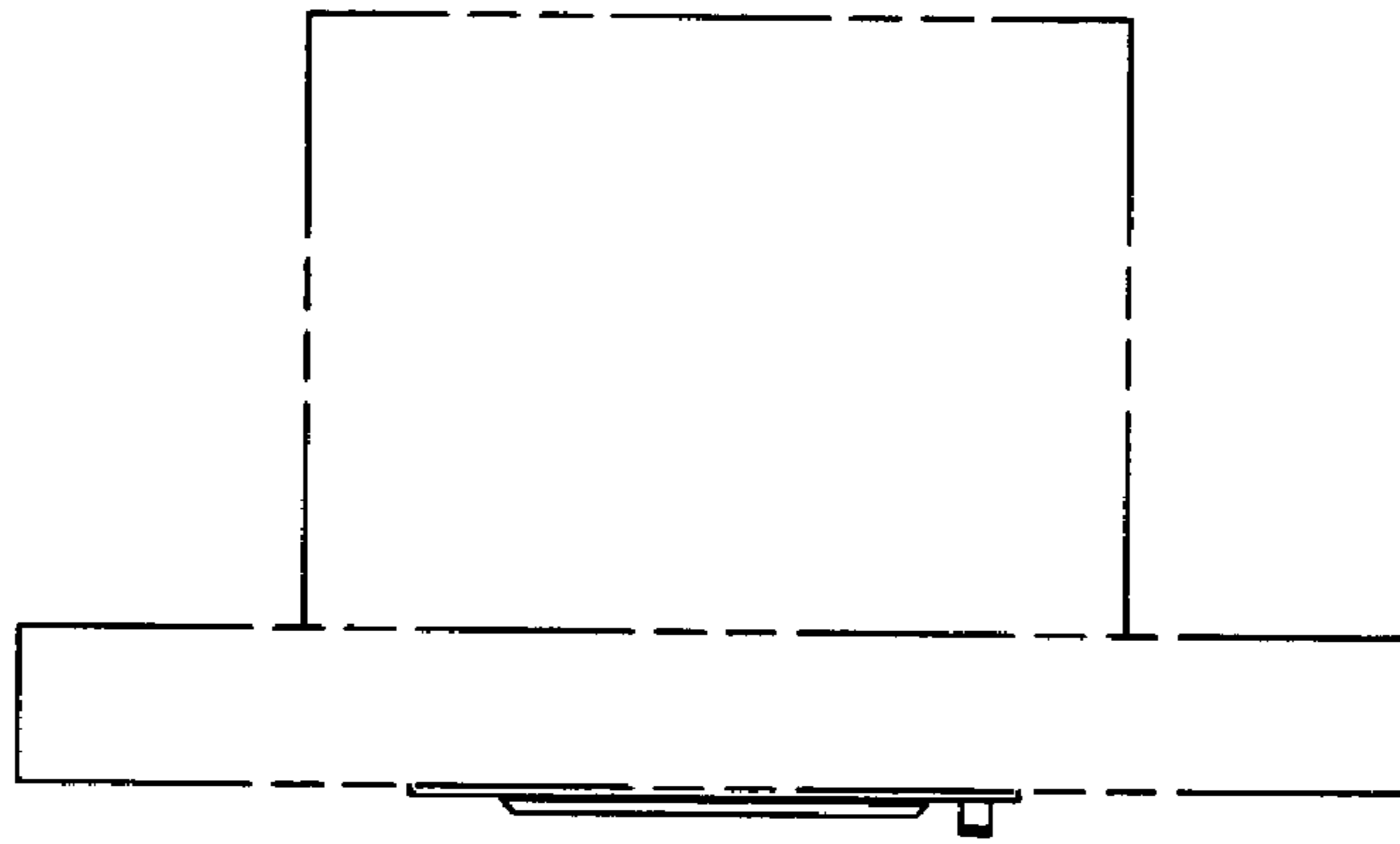


FIG. 5

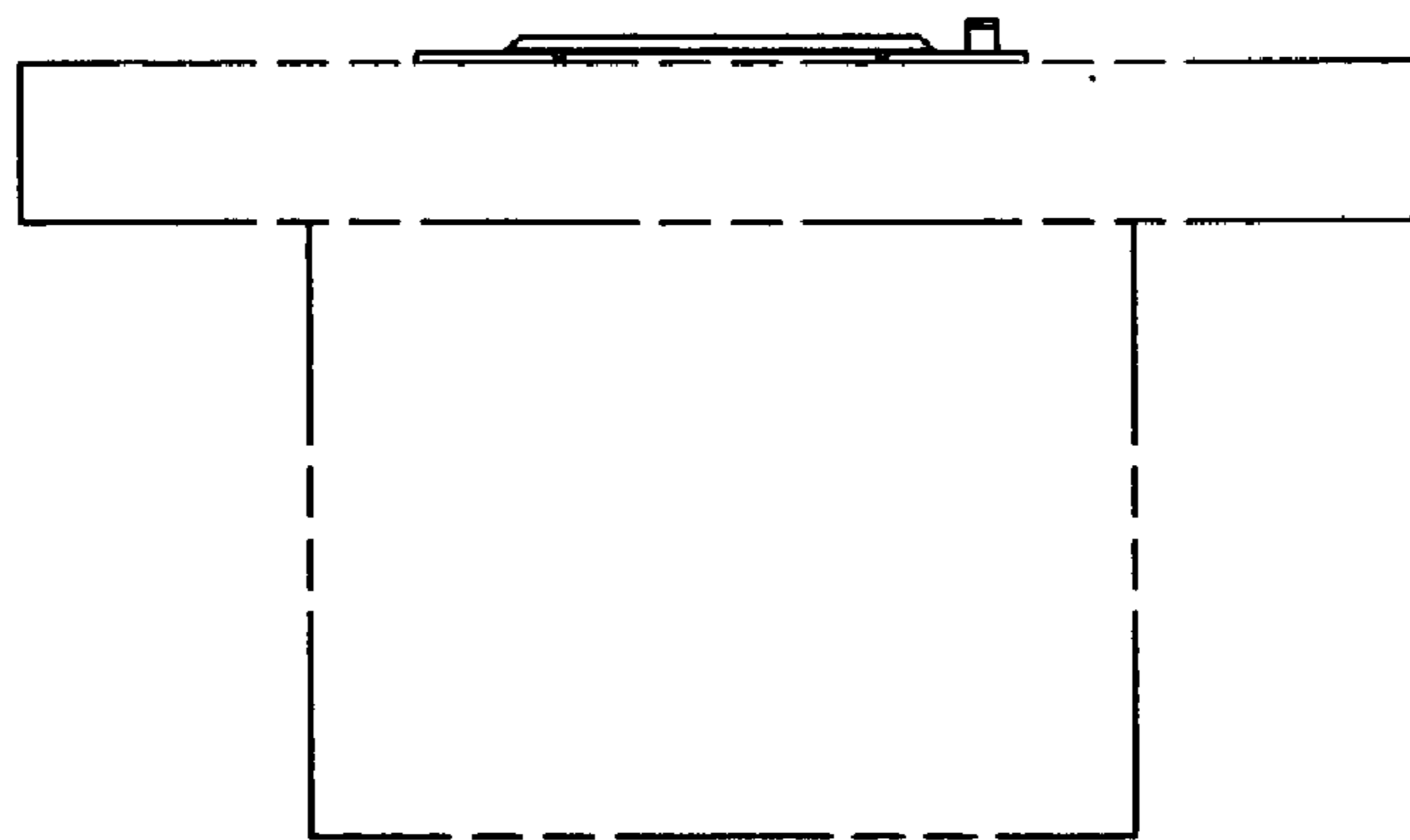


FIG. 6