



US00D537045S

(12) **United States Design Patent**
Park

(10) **Patent No.:** **US D537,045 S**

(45) **Date of Patent:** **** Feb. 20, 2007**

(54) **CONNECTOR OF THE TEMPERATURE
SENSOR FOR OVEN RANGE**

(75) **Inventor:** **James Ji-Hong Park, Seoul (KR)**

(73) **Assignee:** **James Tech Co., Ltd. (KR)**

(**) **Term:** **14 Years**

(21) **Appl. No.:** **29/240,820**

(22) **Filed:** **Oct. 19, 2005**

(30) **Foreign Application Priority Data**

Sep. 28, 2005 (KR) 30-2005-0032808

(51) **LOC (8) Cl.** **13-03**

(52) **U.S. Cl.** **D13/151**

(58) **Field of Classification Search** D13/133,
D13/151, 146-149, 154, 184; D23/386; 174/87,
174/74 R; 439/161, 259, 266, 270, 278, 374,
439/483-485, 527, 476.1, 519, 775, 784,
439/801, 892, 894

See application file for complete search history.

(56) **References Cited**

U.S. PATENT DOCUMENTS

- D184,995 S * 4/1959 Gibson D13/148
- D237,189 S * 10/1975 Lemke D13/148
- D240,933 S * 8/1976 Lemke D13/148
- D252,927 S * 9/1979 Harris et al. D13/148
- D296,547 S * 7/1988 Sachs D13/148

- 4,932,877 A * 6/1990 Zinn 439/839
- D314,814 S * 2/1991 Lubeck D23/262
- 5,342,222 A * 8/1994 Tanaka 439/708
- D390,191 S * 2/1998 Byfield, Jr. D13/147
- 5,975,964 A * 11/1999 Seko et al. 439/857
- 6,165,026 A * 12/2000 Sugie et al. 439/748
- D464,323 S * 10/2002 Harasawa et al. D13/154
- D469,742 S * 2/2003 Michon et al. D13/151
- D475,022 S * 5/2003 Kihira et al. D13/154
- D495,662 S * 9/2004 Chawgo D13/156
- 2001/0002350 A1 * 5/2001 Kashiya et al. 439/848
- 2001/0024913 A1 * 9/2001 Kitamura 439/852

* cited by examiner

Primary Examiner—Daniel Bui

(74) *Attorney, Agent, or Firm*—Irving Keschner

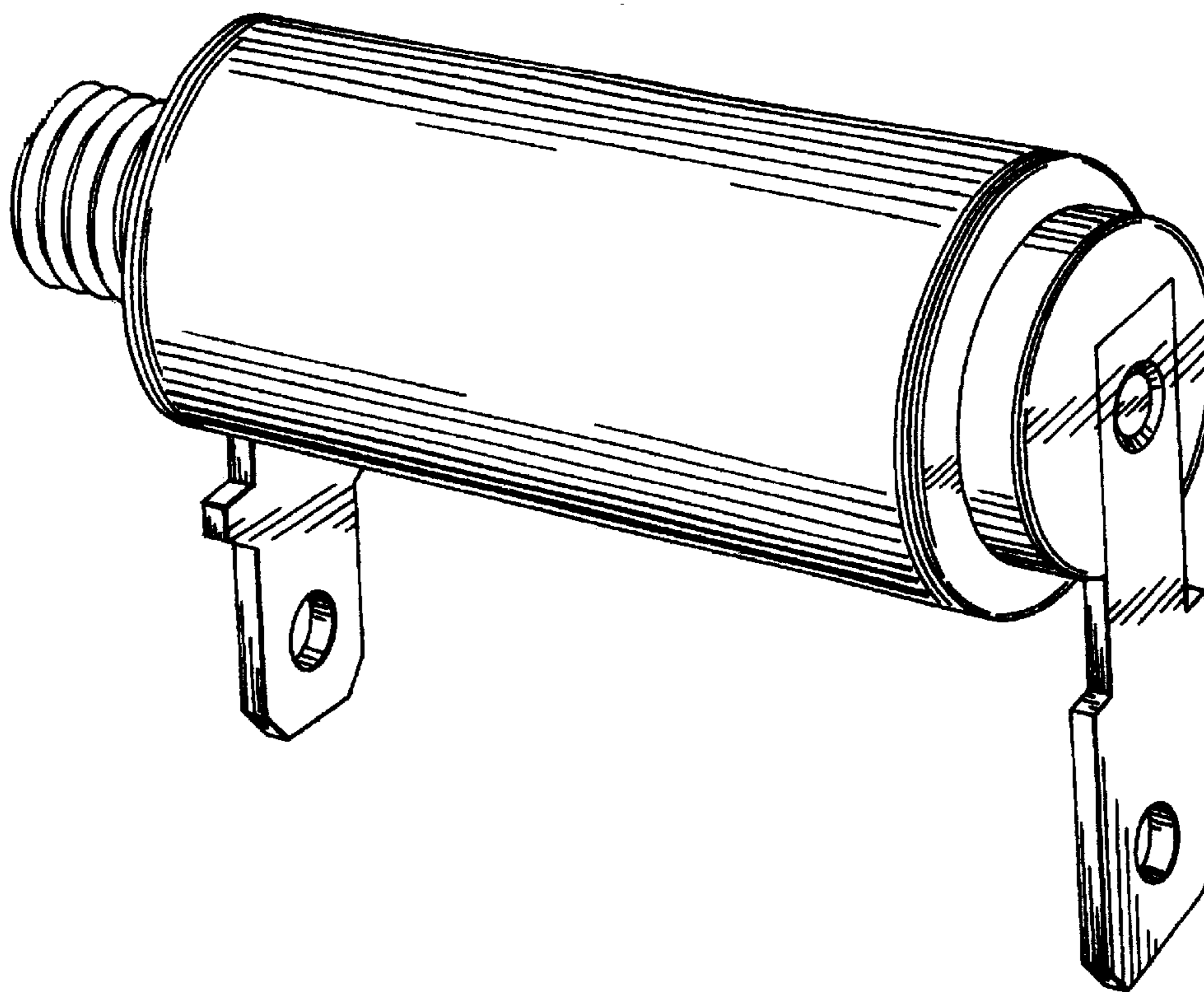
(57) **CLAIM**

The ornamental design for a connector of the temperature sensor for oven range, as shown.

DESCRIPTION

FIG. 1 is a perspective view of a connector of the temperature sensor for oven range, showing my new invention; FIG. 2 is a front elevational view thereof; FIG. 3 is a rear elevational view thereof; FIG. 4 is a left side elevational view thereof; FIG. 5 is a right side elevational view thereof; FIG. 6 is a top plan view thereof; and, FIG. 7 is a bottom view thereof.

1 Claim, 3 Drawing Sheets



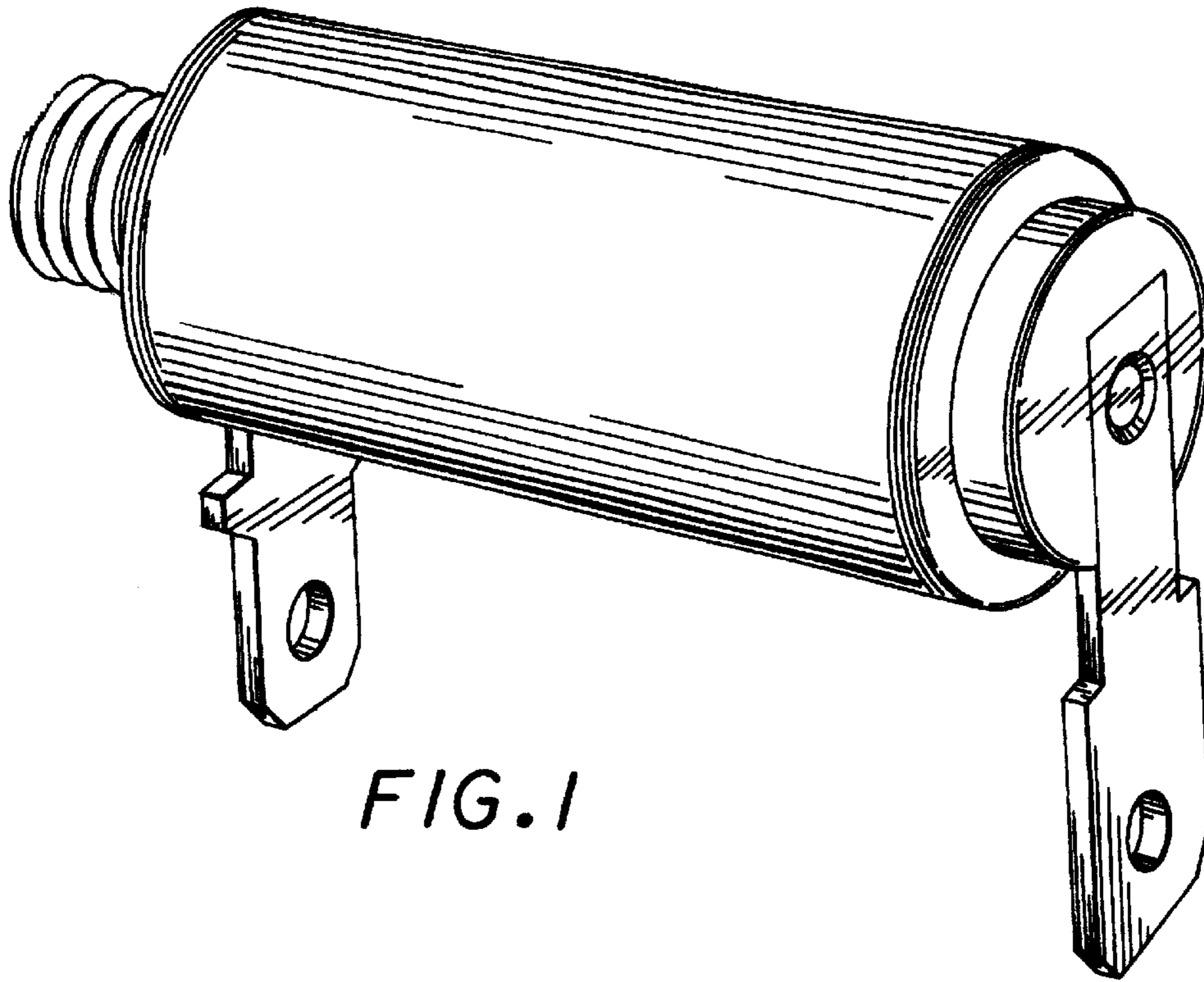


FIG. 1

FIG. 2

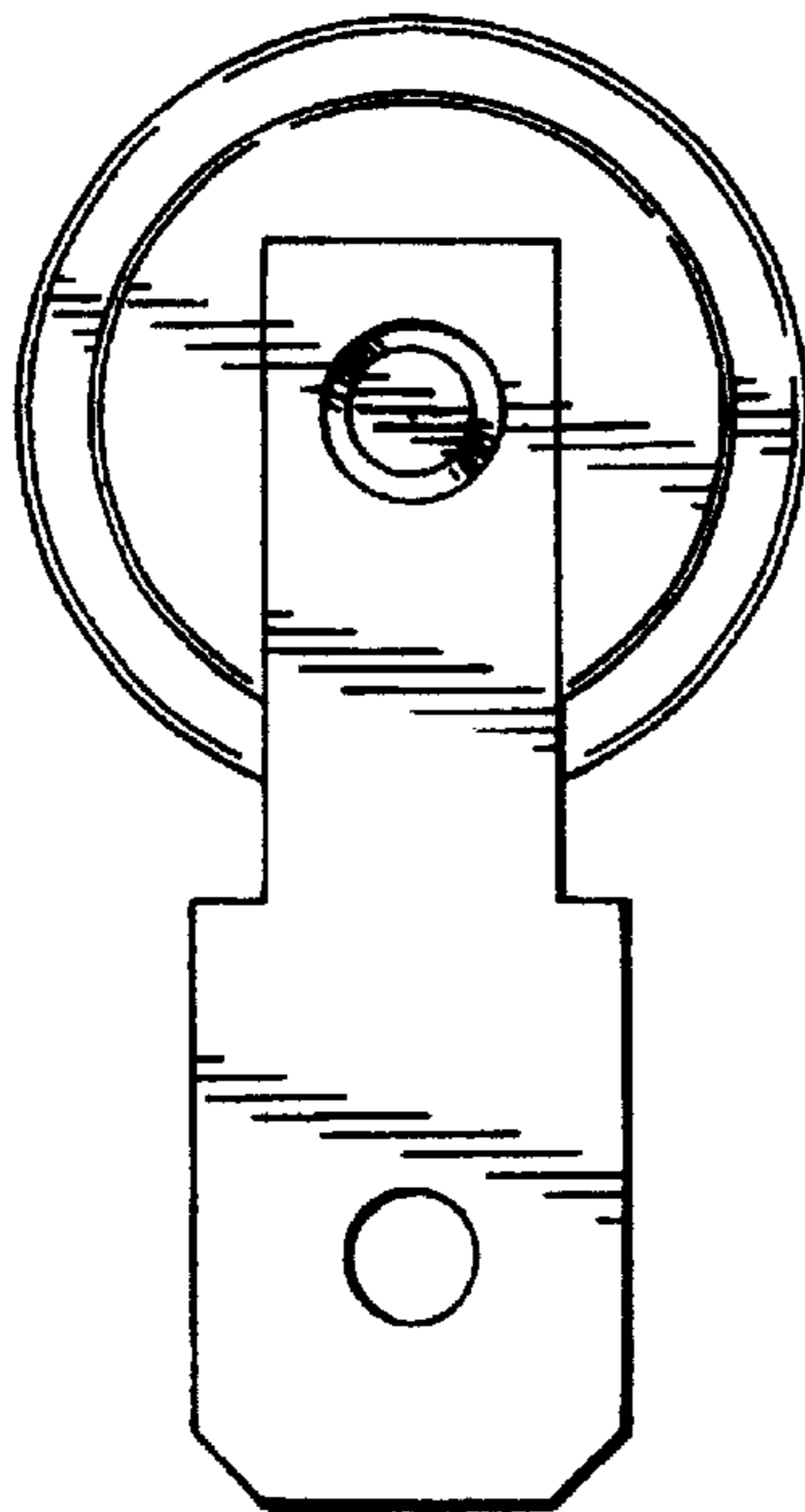


FIG. 3

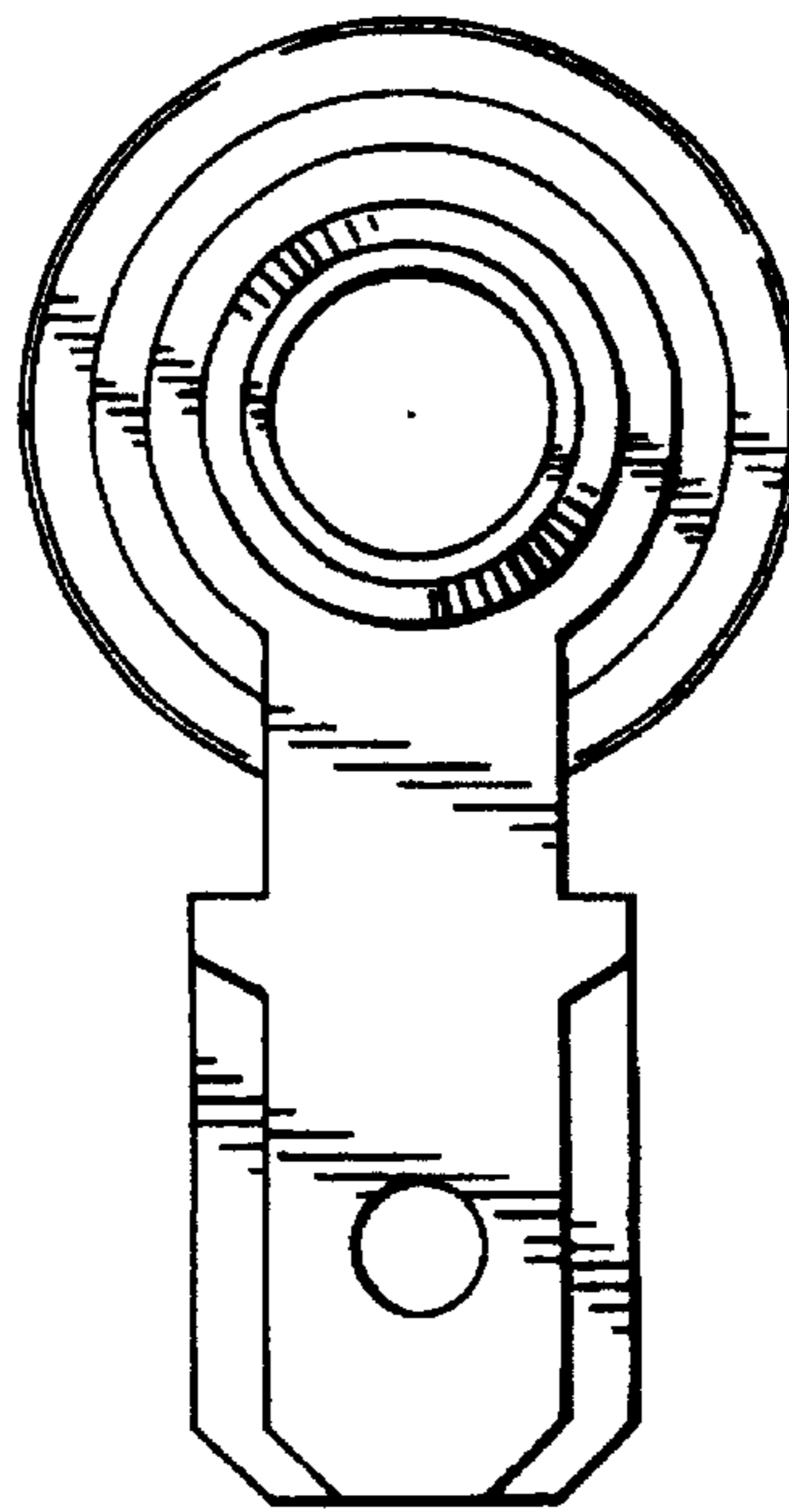


FIG. 4

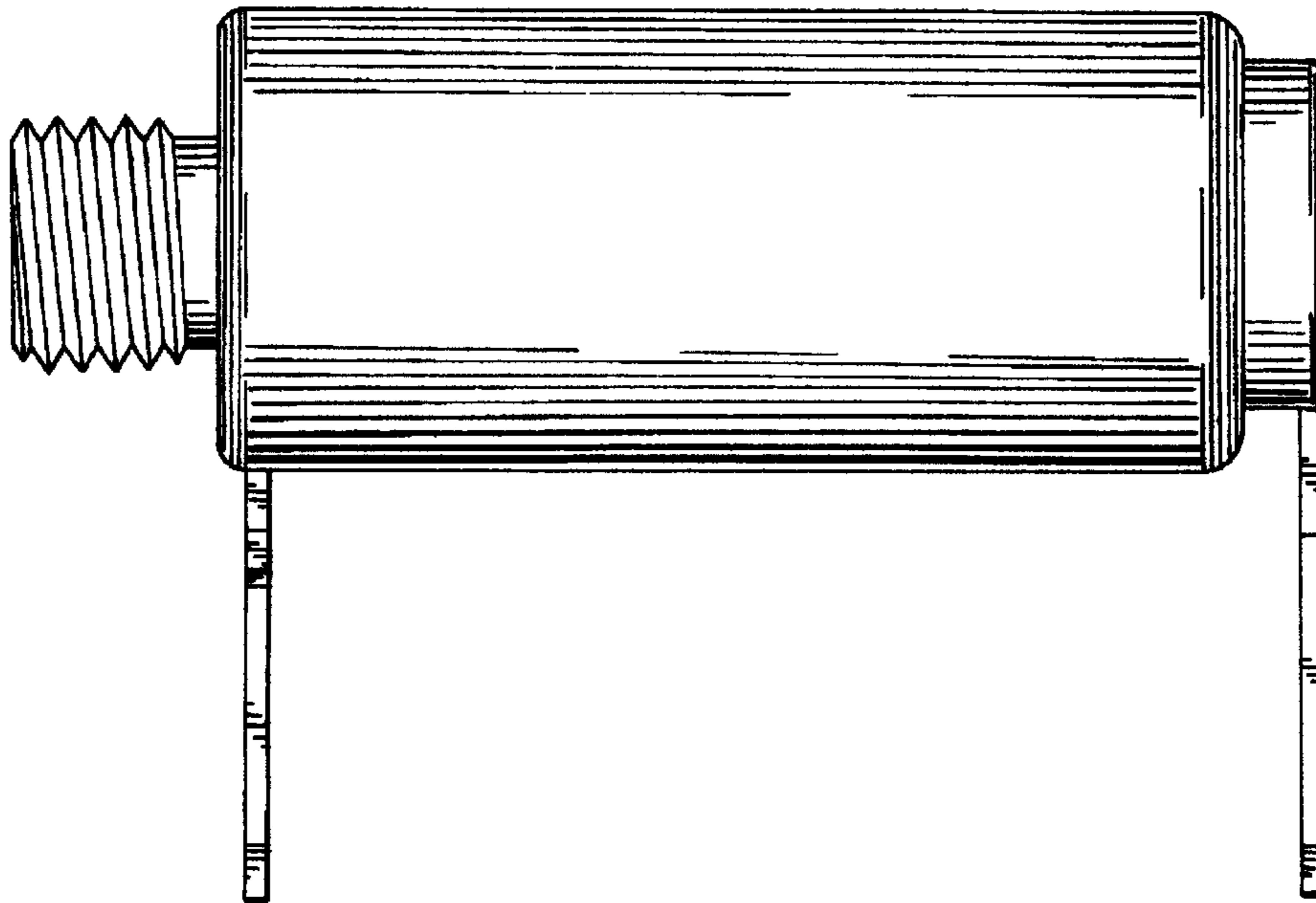


FIG. 5

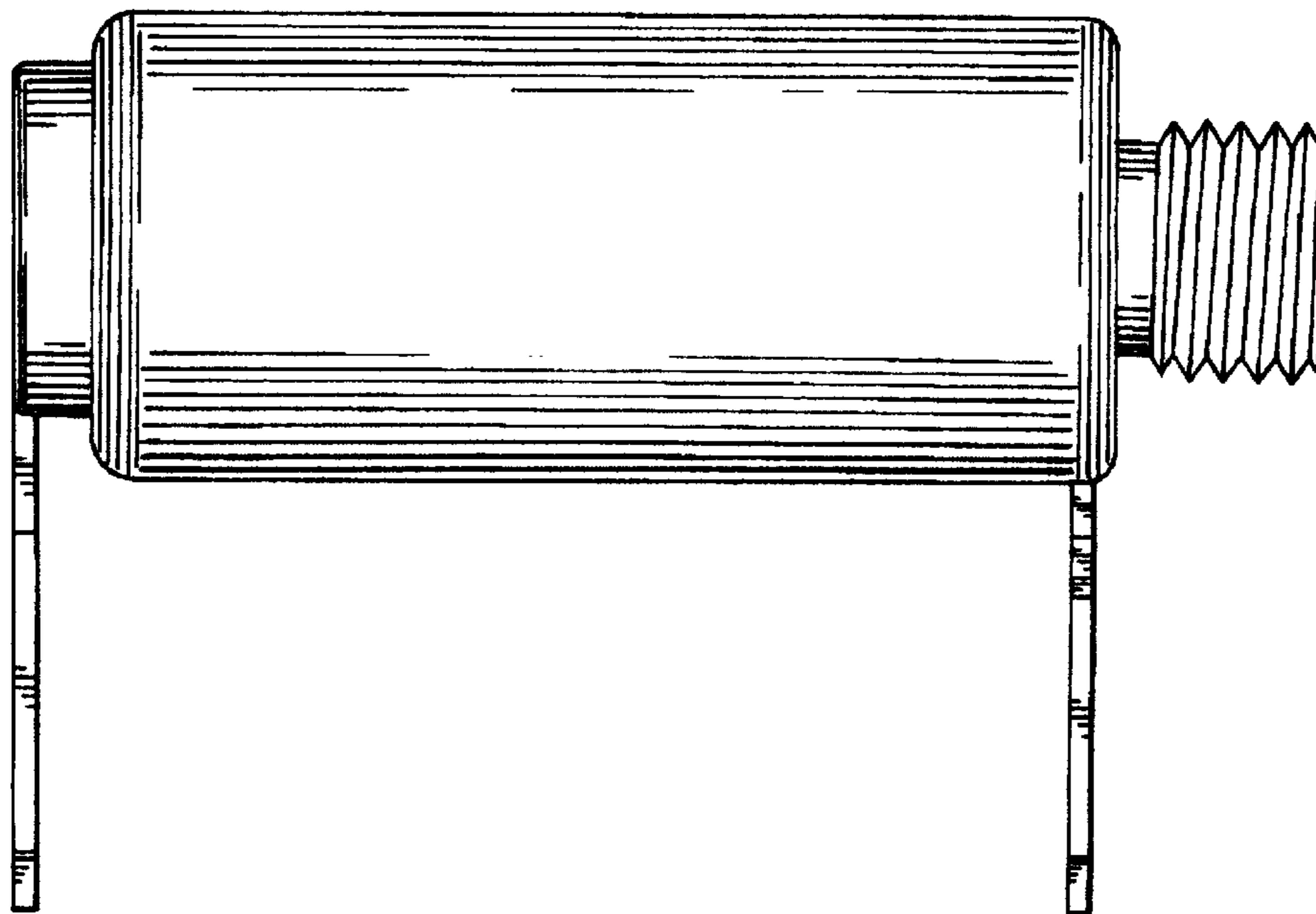


FIG. 6

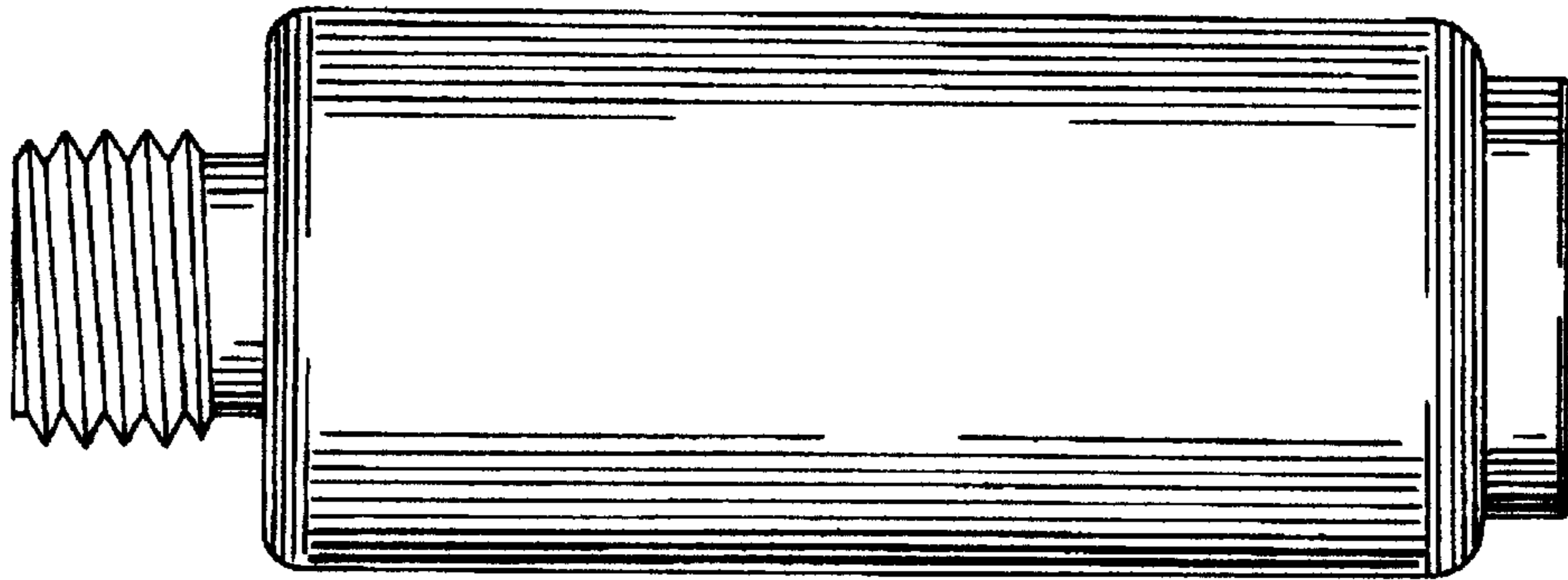


FIG. 7

