



US00D537043S

(12) **United States Design Patent**
Nagata

(10) **Patent No.:** **US D537,043 S**

(45) **Date of Patent:** **** Feb. 20, 2007**

(54) **CONNECTOR**

(75) Inventor: **Takayuki Nagata**, Higashiosaka (JP)

(73) Assignee: **Hosiden Corporation**, Yao (JP)

(**) Term: **14 Years**

(21) Appl. No.: **29/241,215**

(22) Filed: **Oct. 26, 2005**

(30) **Foreign Application Priority Data**

May 9, 2005 (JP) 2005-013196

(51) **LOC (8) Cl.** **13-03**

(52) **U.S. Cl.** **D13/147**

(58) **Field of Classification Search** D13/133,
D13/146-147, 149, 154, 184; D14/432-436,
D14/438; 439/64, 79, 159-160, 260, 325,
439/329, 395, 422, 492, 495, 607-610, 630,
439/862

See application file for complete search history.

(56) **References Cited**

U.S. PATENT DOCUMENTS

5,276,817	A	*	1/1994	Matschke et al.	439/61
D371,541	S	*	7/1996	Ezaki	D13/147
5,888,077	A	*	3/1999	Champion et al.	439/108
6,068,493	A	*	5/2000	Langridge	439/77
D470,109	S	*	2/2003	Yokoyama et al.	D13/147
D499,379	S	*	12/2004	Zhu et al.	D13/147
D500,738	S	*	1/2005	Obikane et al.	D13/147
6,945,823	B2	*	9/2005	Lee et al.	439/660
2002/0098722	A1	*	7/2002	Kameda	439/79
2003/0064621	A1	*	4/2003	Kobayashi	439/374
2006/0025007	A1	*	2/2006	Ono et al.	439/495

* cited by examiner

Primary Examiner—Daniel Bui

(74) *Attorney, Agent, or Firm*—Armstrong, Kratz, Qunitos, Hanson & Brooks, LLP

(57) **CLAIM**

The ornamental design for a connector, as shown and described.

DESCRIPTION

FIG. 1 is a front elevation view of a connector of the present invention;

FIG. 2 is a back elevation view thereof;

FIG. 3 is a right side elevation view thereof;

FIG. 4 is a top plan view thereof;

FIG. 5 is a bottom plan view thereof;

FIG. 6 is an enlarged cross-sectional view thereof, taken along line 6—6 in FIG. 4;

FIG. 7 is an enlarged cross-sectional view thereof, taken along line 7—7 in FIG. 4;

FIG. 8 is an enlarged cross-sectional view thereof, taken along line 8—8 in FIG. 4;

FIG. 9 is a top, front and right side perspective view thereof, on an enlarged scale;

FIG. 10 is a partially enlarged perspective view taken at the top, front and left side corner of FIG. 9;

FIG. 11 is a partially enlarged perspective view taken at the bottom, front and left side corner of FIG. 9; and,

FIG. 12 is a top, front and right side perspective view, in use condition.

The broken line showing of the environment is for illustrative purposes only and forms no part of the claimed design.

1 Claim, 6 Drawing Sheets

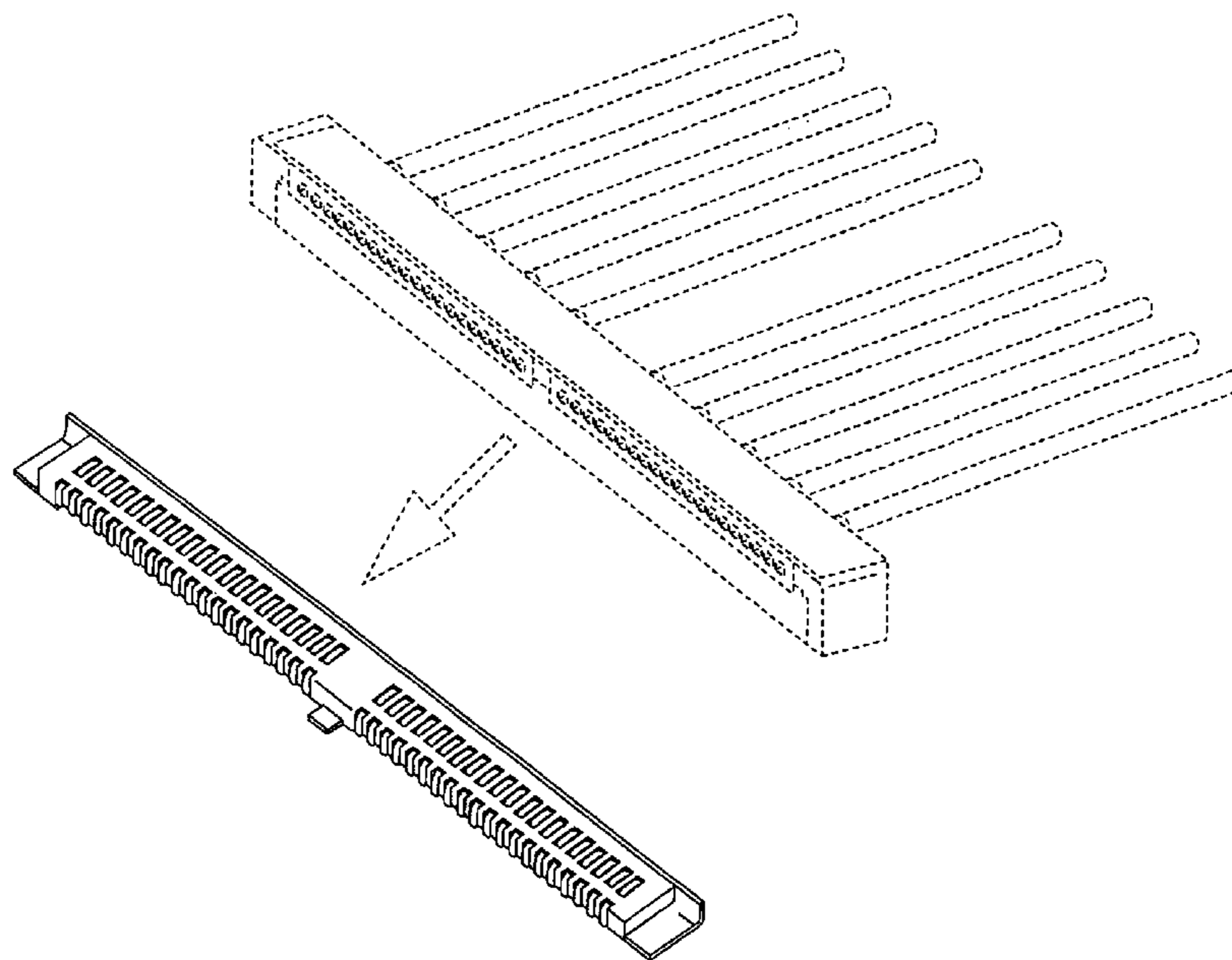


FIG.1

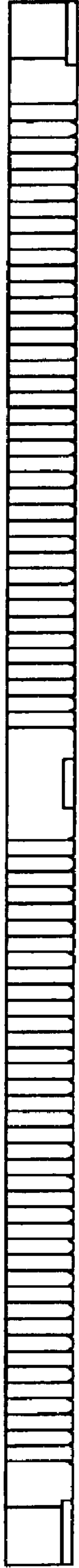


FIG.2

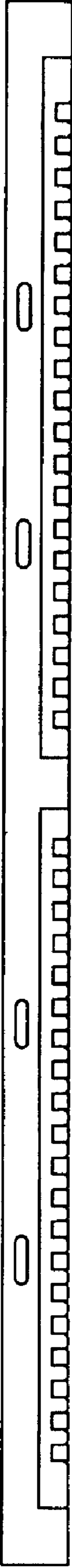


FIG.3



FIG.4

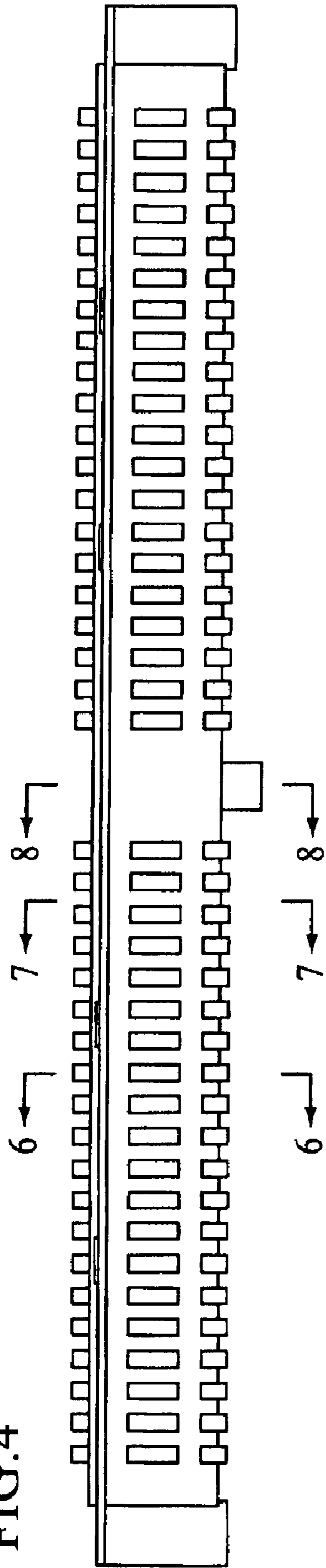


FIG.5

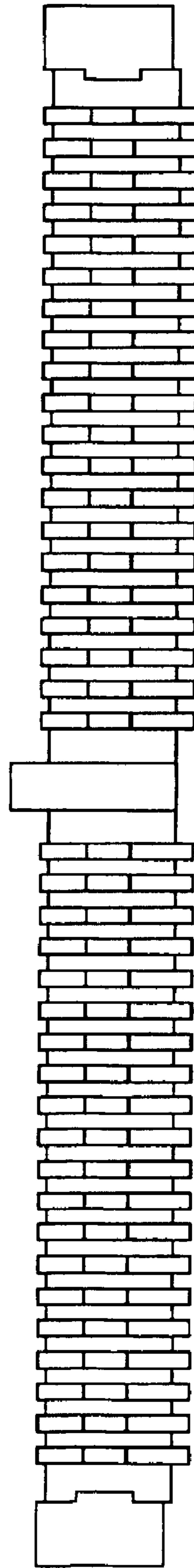


FIG.6

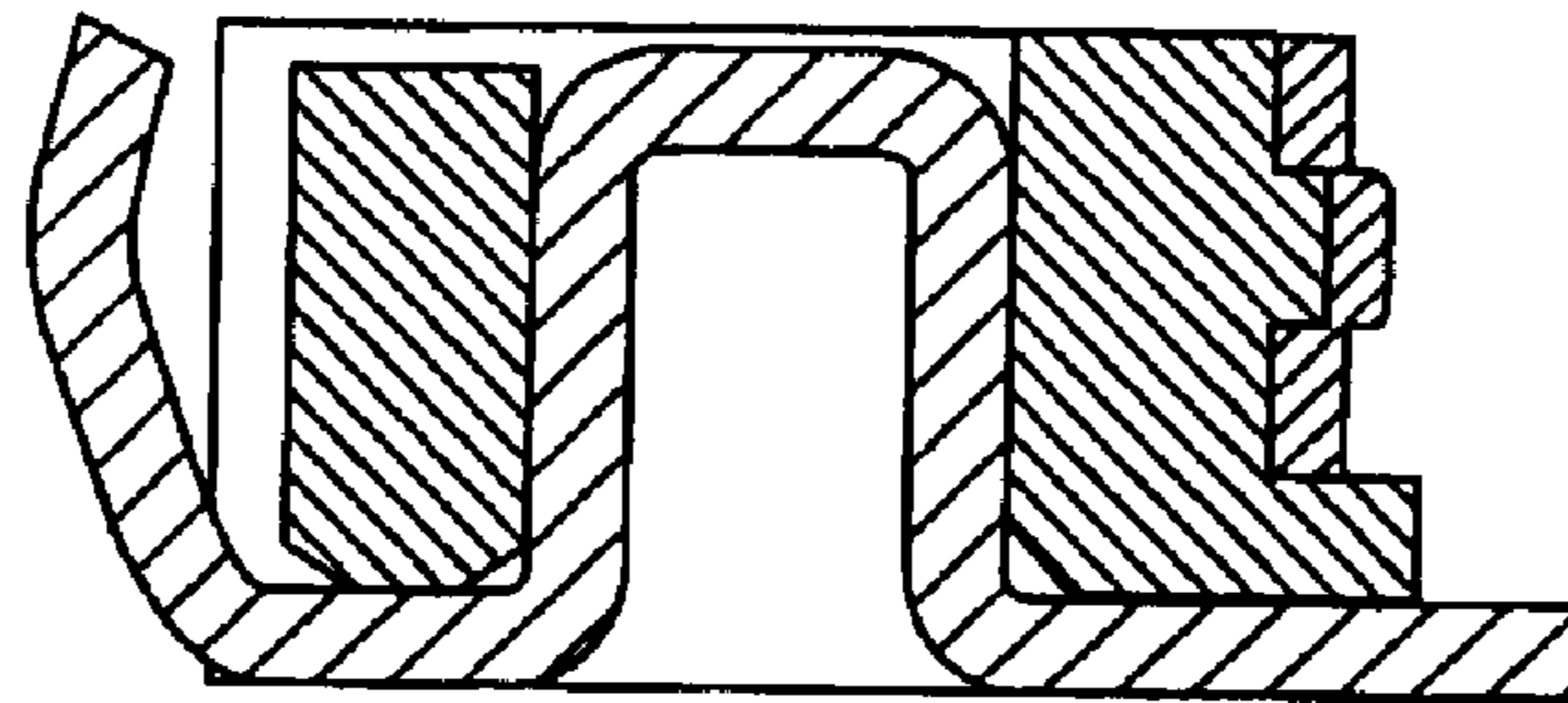


FIG.7

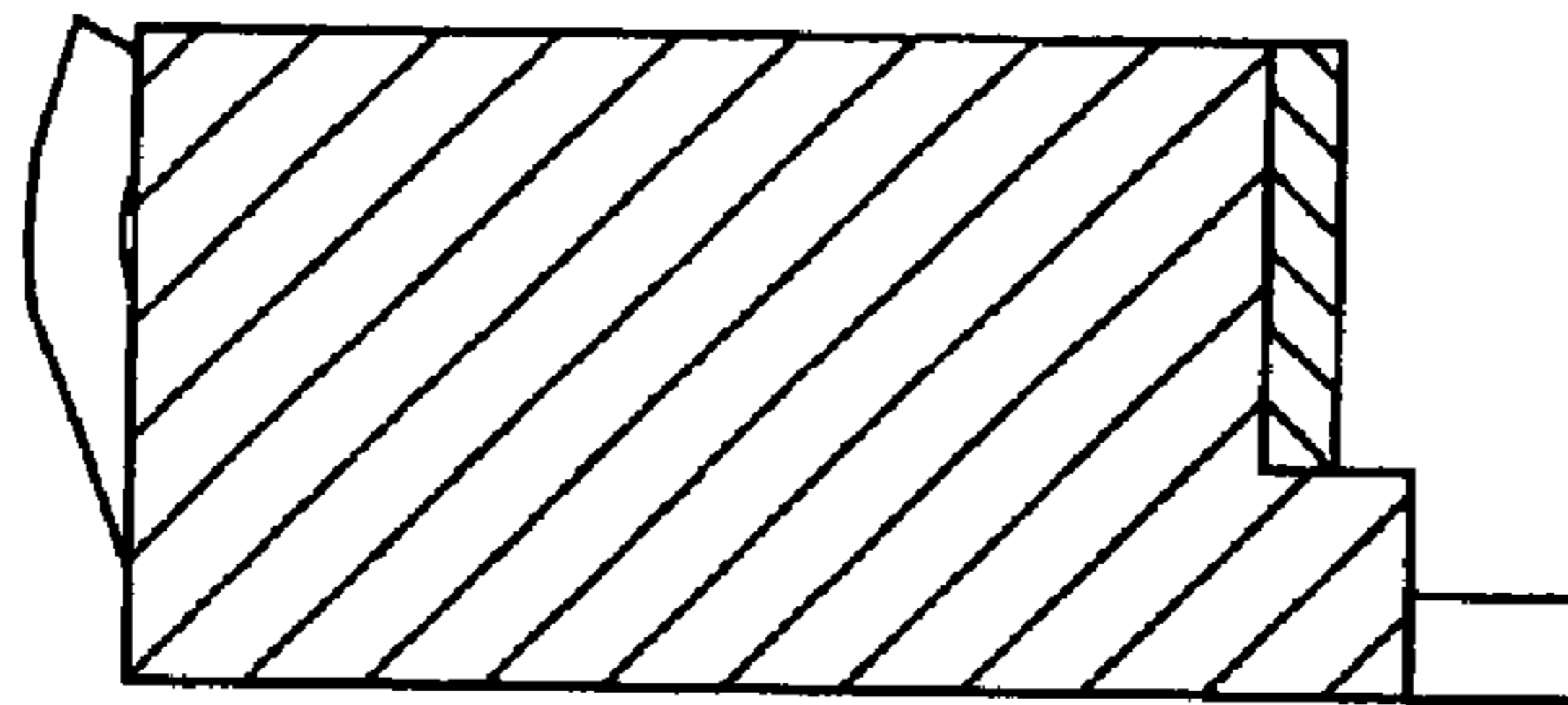


FIG.8

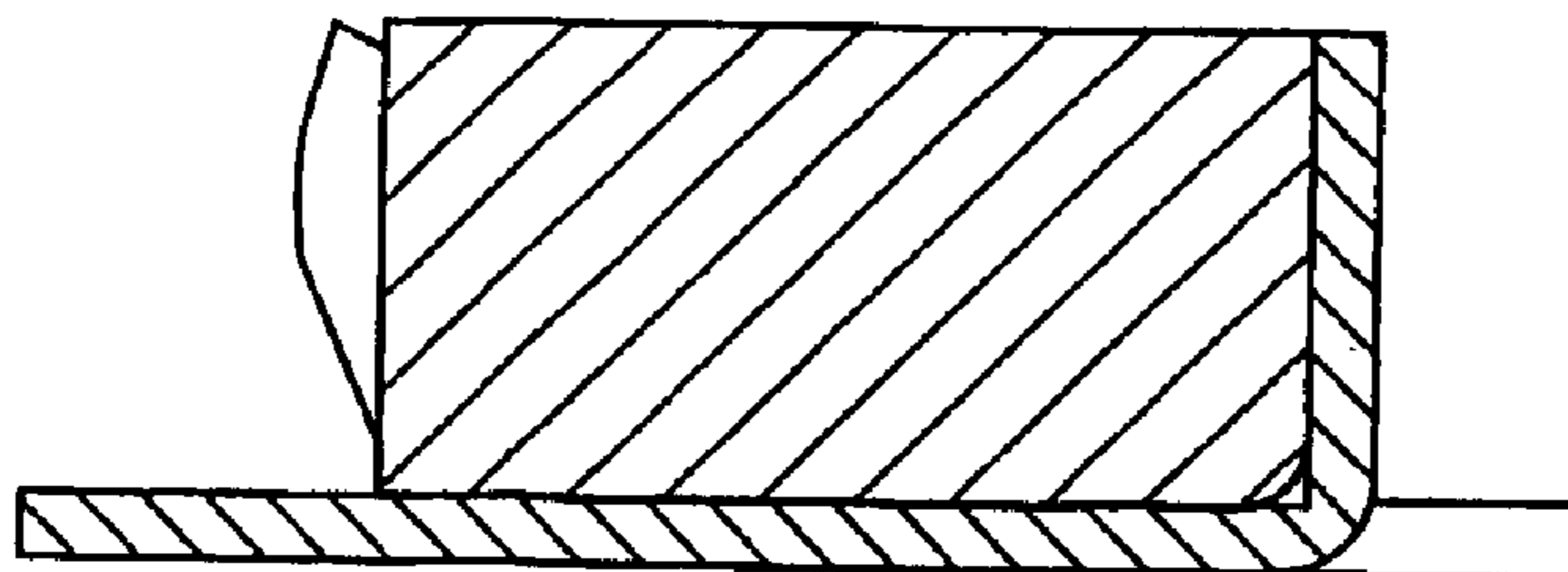


FIG. 9

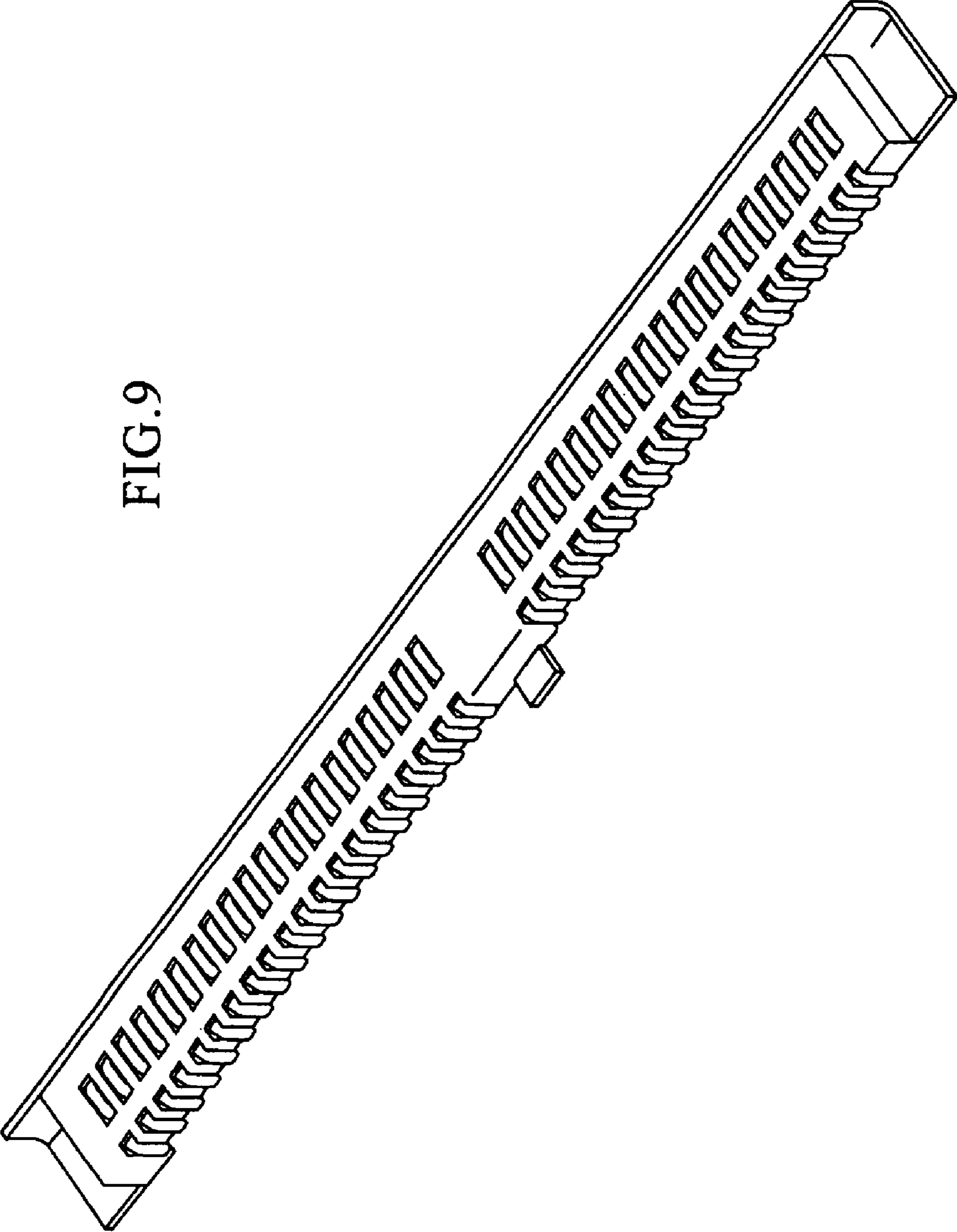


FIG. 10

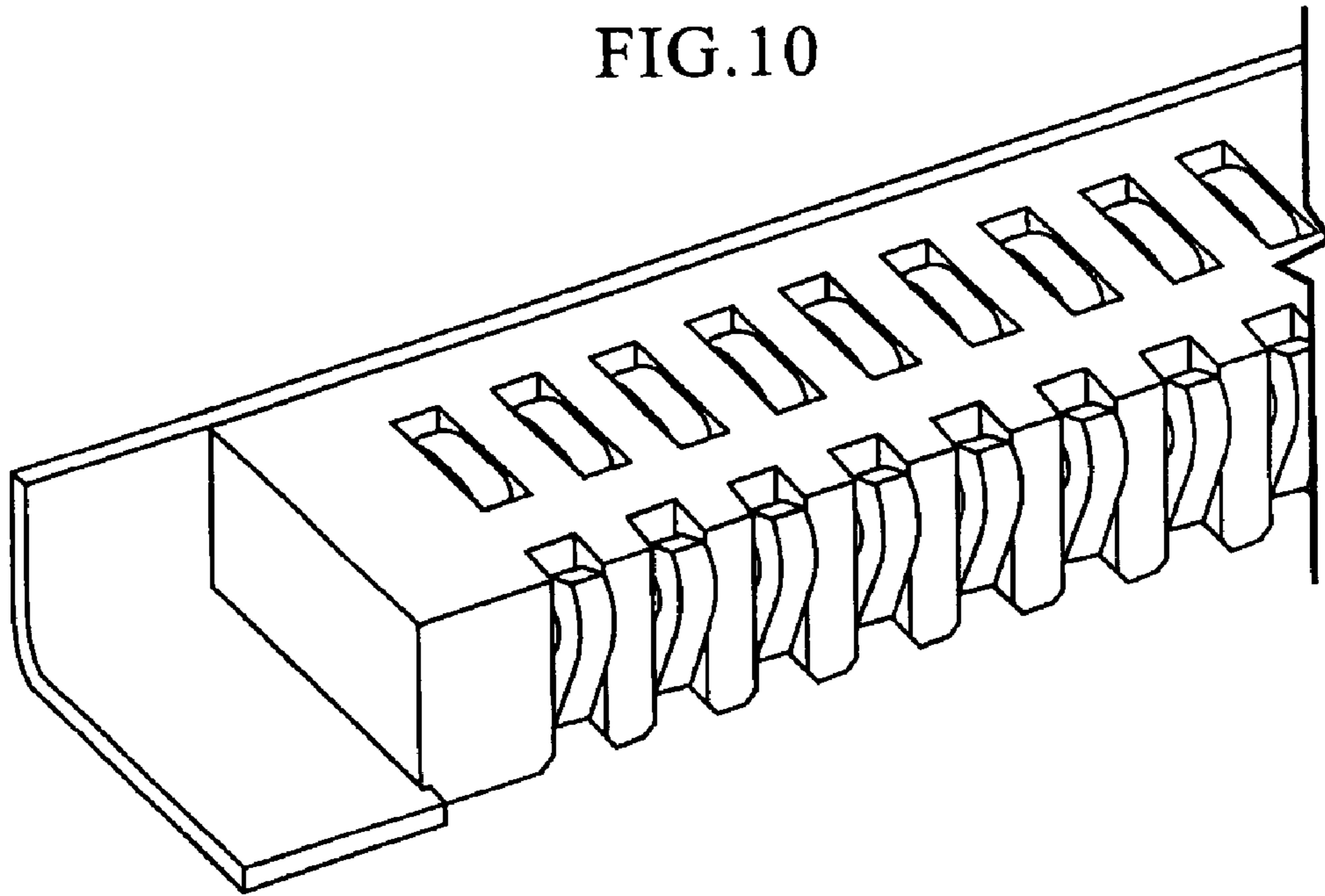
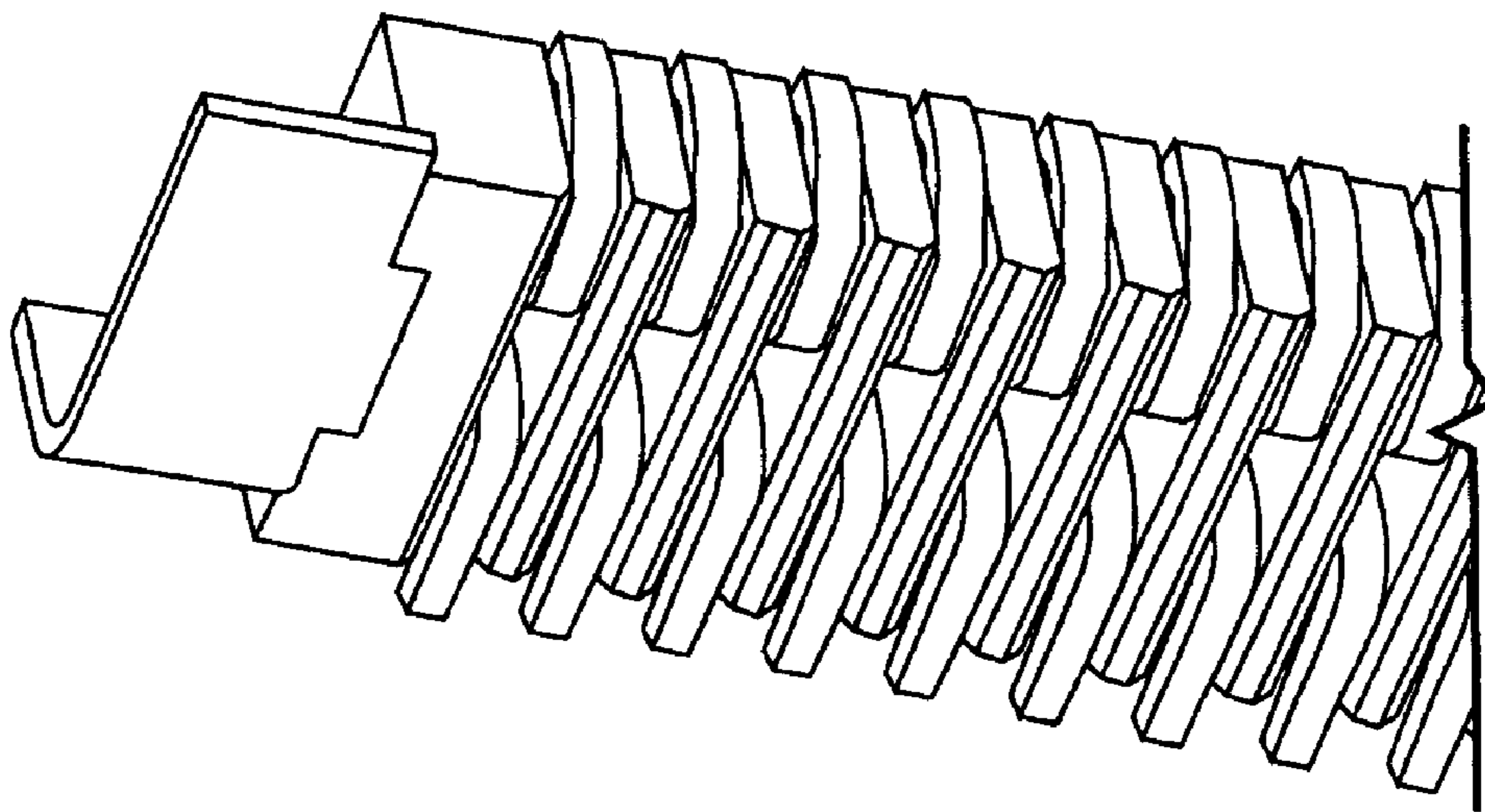


FIG. 11



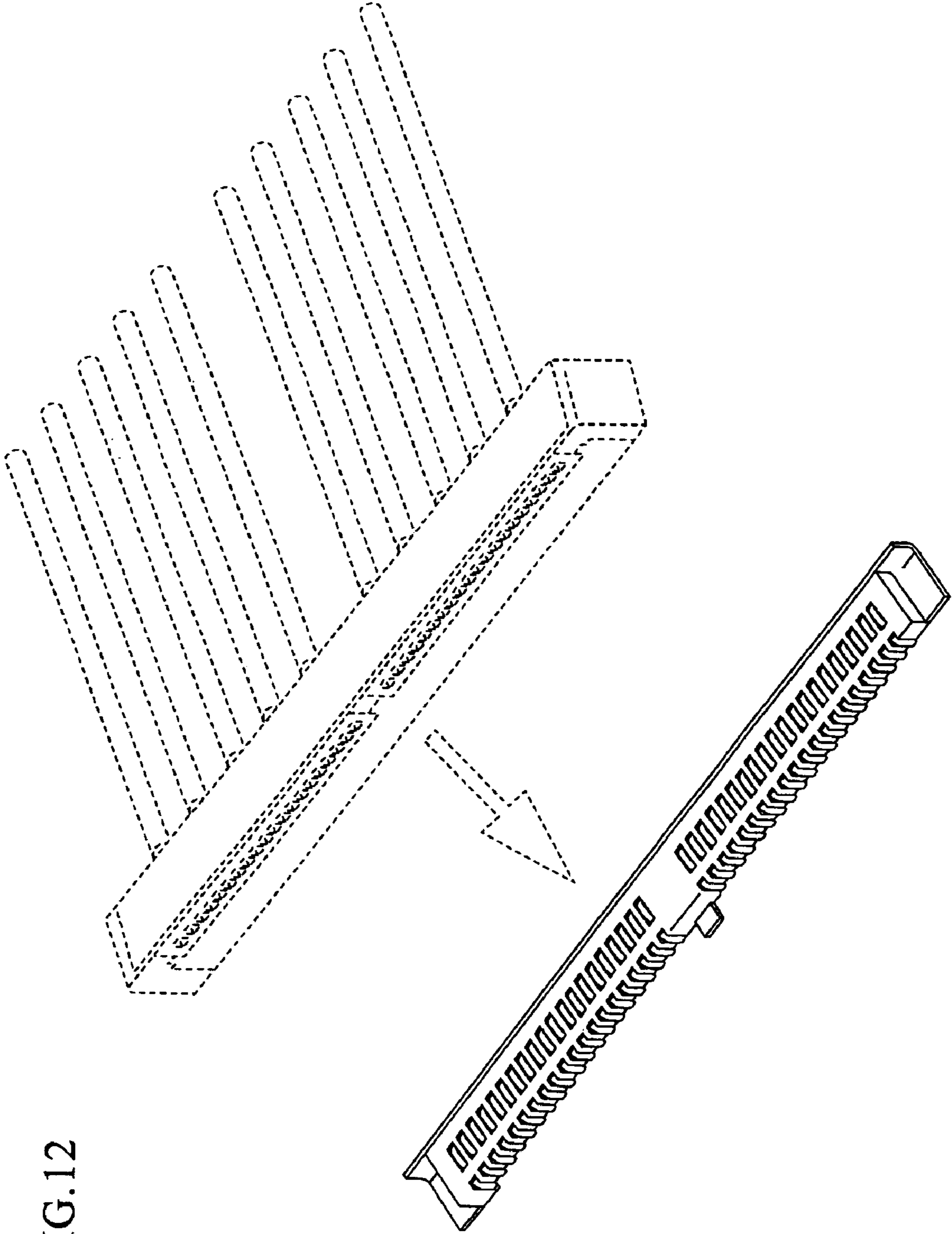


FIG.12