



US00D537042S

(12) **United States Design Patent**
Sasaki

(10) **Patent No.:** **US D537,042 S**

(45) **Date of Patent:** **** Feb. 20, 2007**

(54) **ELECTRICAL CONNECTOR FOR USE WITH ELECTRICAL CARD**

(75) Inventor: **Masamichi Sasaki**, Tokyo (JP)

(73) Assignee: **Japan Aviation Electronics Industry, Limited**, Tokyo (JP)

(**) Term: **14 Years**

(21) Appl. No.: **29/237,595**

(22) Filed: **Sep. 2, 2005**

(30) **Foreign Application Priority Data**

Mar. 4, 2005 (JP) 2005-009946

(51) **LOC (8) Cl.** **13-03**

(52) **U.S. Cl.** **D13/147**

(58) **Field of Classification Search** D13/133,
D13/146-147, 149, 154, 184; D14/432-436,
D14/438; 439/64, 79, 159-160, 492, 496,
439/607-610

See application file for complete search history.

(56) **References Cited**

U.S. PATENT DOCUMENTS

6,394,838 B1 * 5/2002 Yen 439/492
D472,219 S * 3/2003 Miura D13/147
6,676,449 B2 * 1/2004 Ji et al. 439/607

D489,335 S * 5/2004 Ko D13/147
D517,489 S * 3/2006 Kawase et al. D13/147
D517,492 S * 3/2006 Nakamura et al. D13/147
D517,995 S * 3/2006 Nakamura et al. D13/147

* cited by examiner

Primary Examiner—Prabhakar Deshmukh

Assistant Examiner—Daniel Bui

(74) *Attorney, Agent, or Firm*—Collard & Roe, P.C.

(57) **CLAIM**

The ornamental design for an electrical connector for use with electrical card, as shown and described.

DESCRIPTION

FIG. 1 is a front elevational view of an electrical connector for use with electrical card, showing my new design;

FIG. 2 is a top plan view thereof;

FIG. 3 is a rear elevational view thereof;

FIG. 4 is a bottom plan view thereof;

FIG. 5 is a left side elevational view thereof;

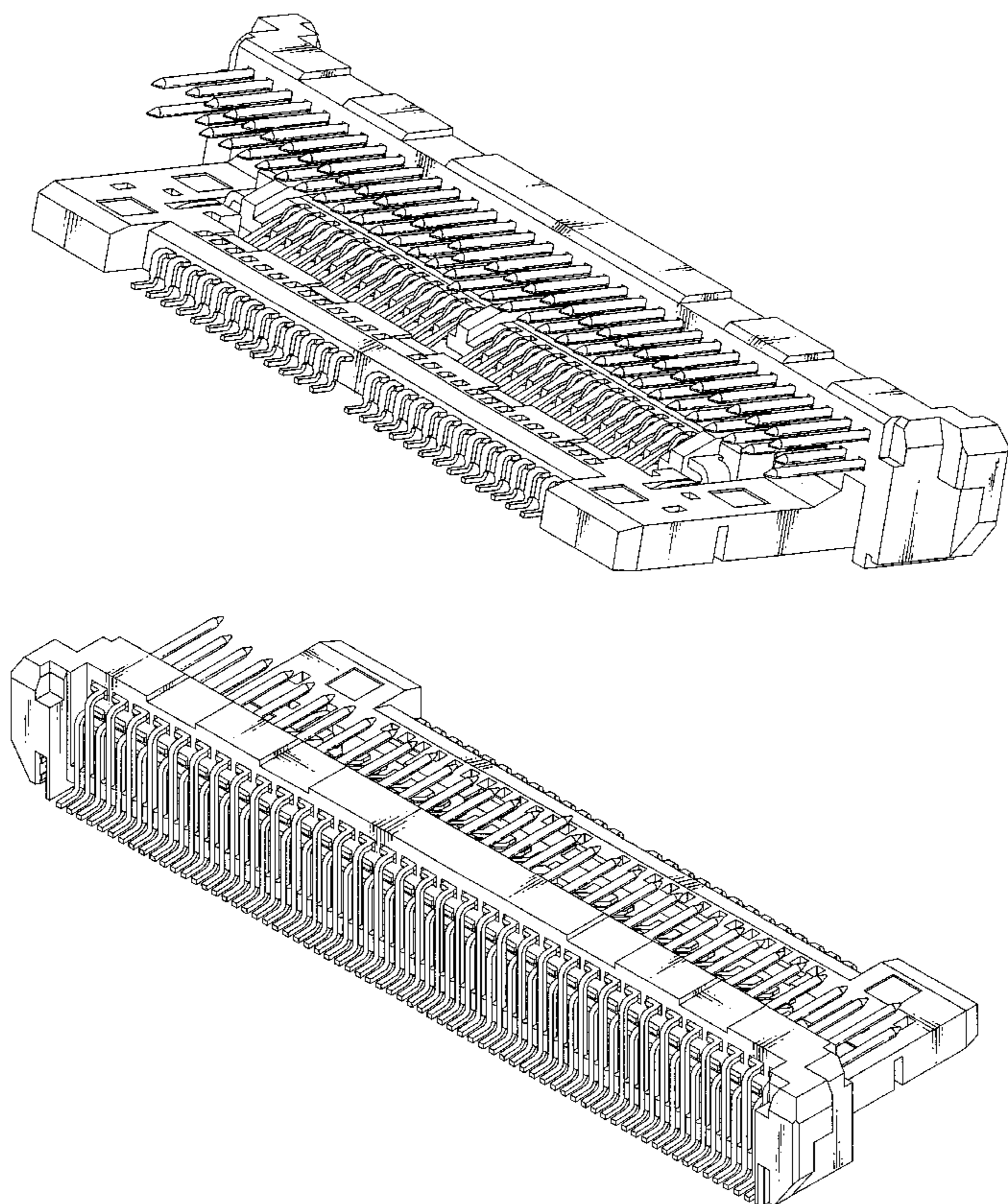
FIG. 6 is a right side elevational view thereof;

FIG. 7 is a cross-sectional view thereof, taken along line 7—7 in FIG. 1;

FIG. 8 is a front, right, and top-side perspective view thereof; and,

FIG. 9 is a rear, left, and top-side perspective view thereof.

1 Claim, 5 Drawing Sheets



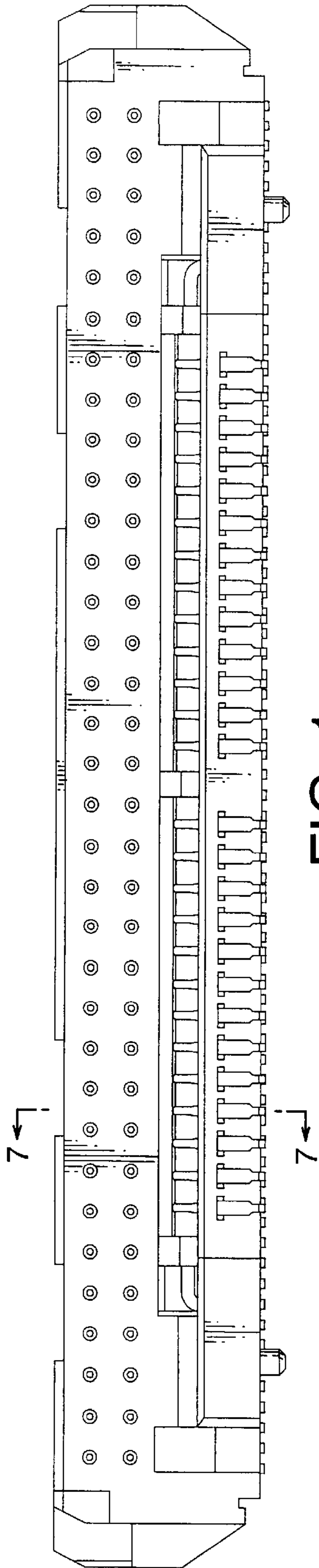


FIG. 1

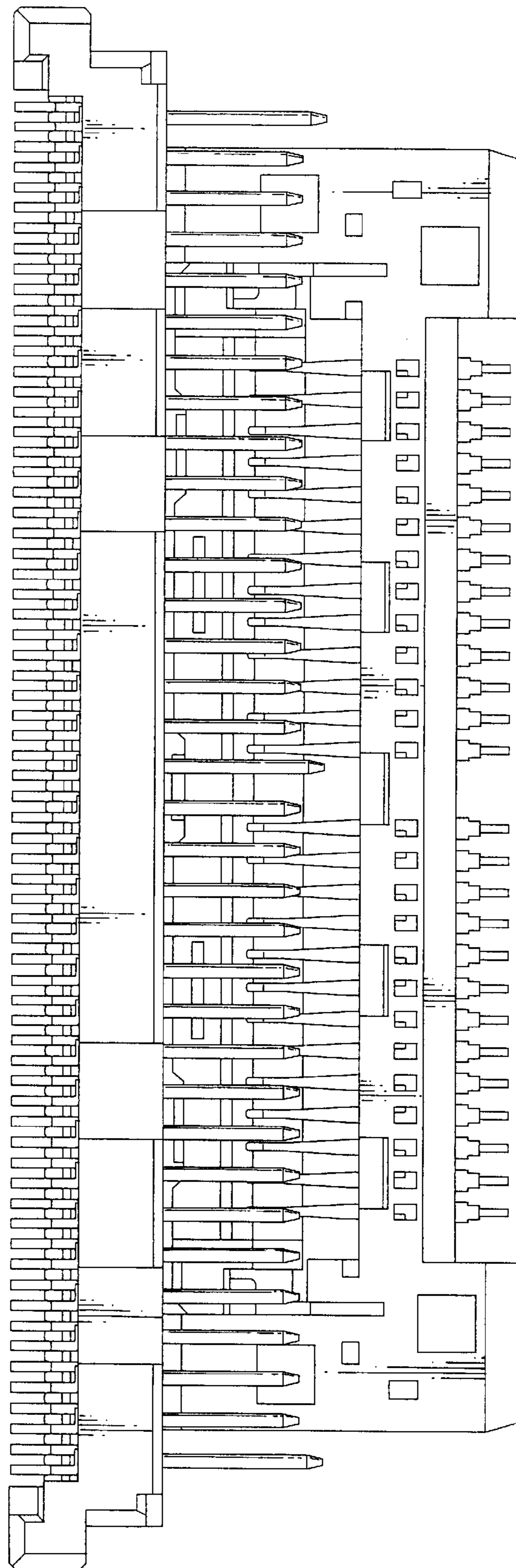


FIG. 2

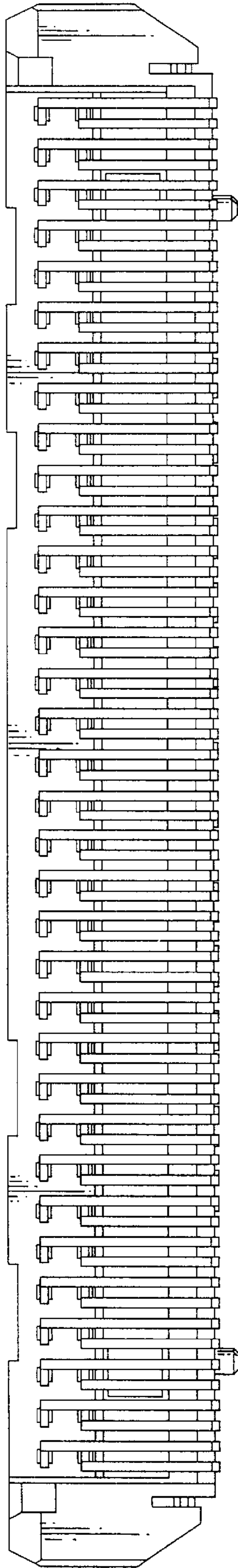


FIG. 3

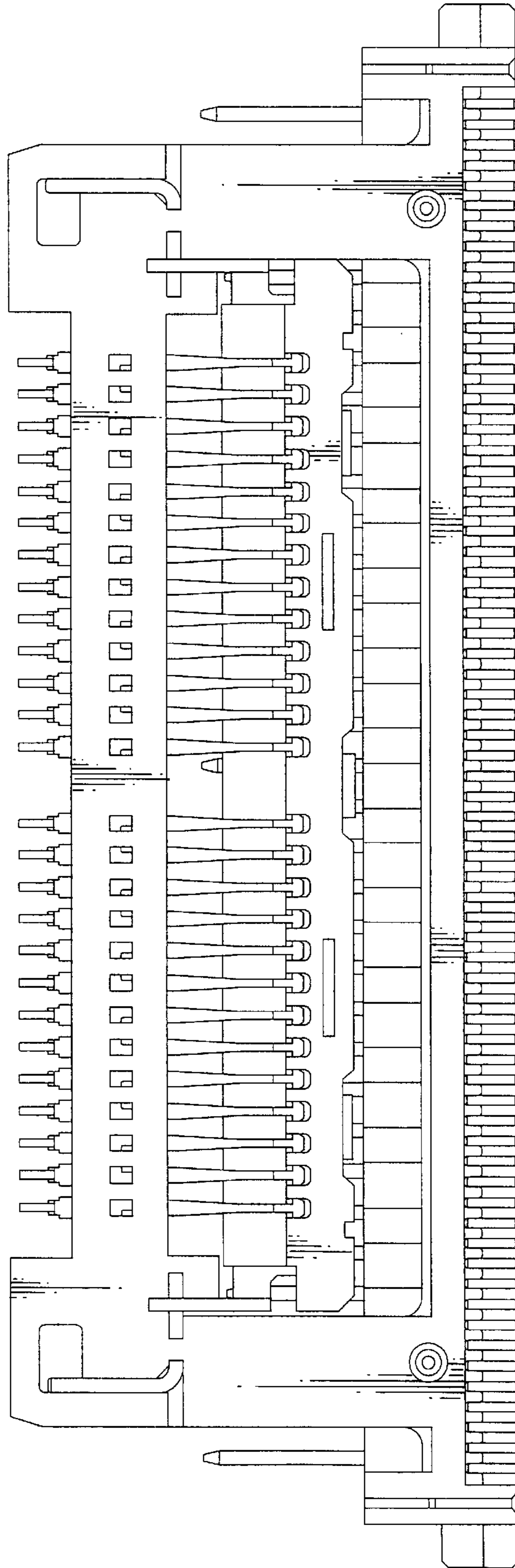


FIG. 4

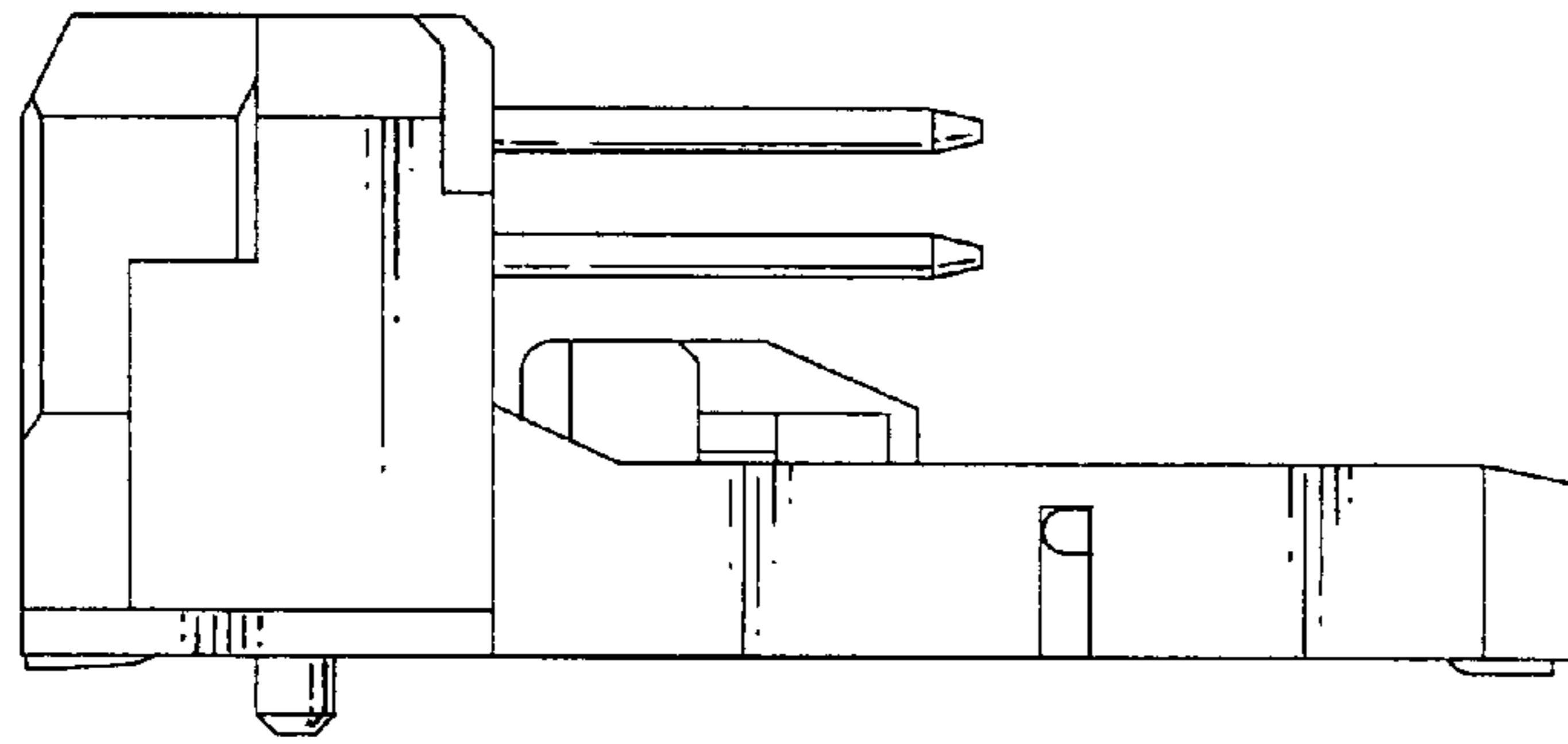


FIG. 5

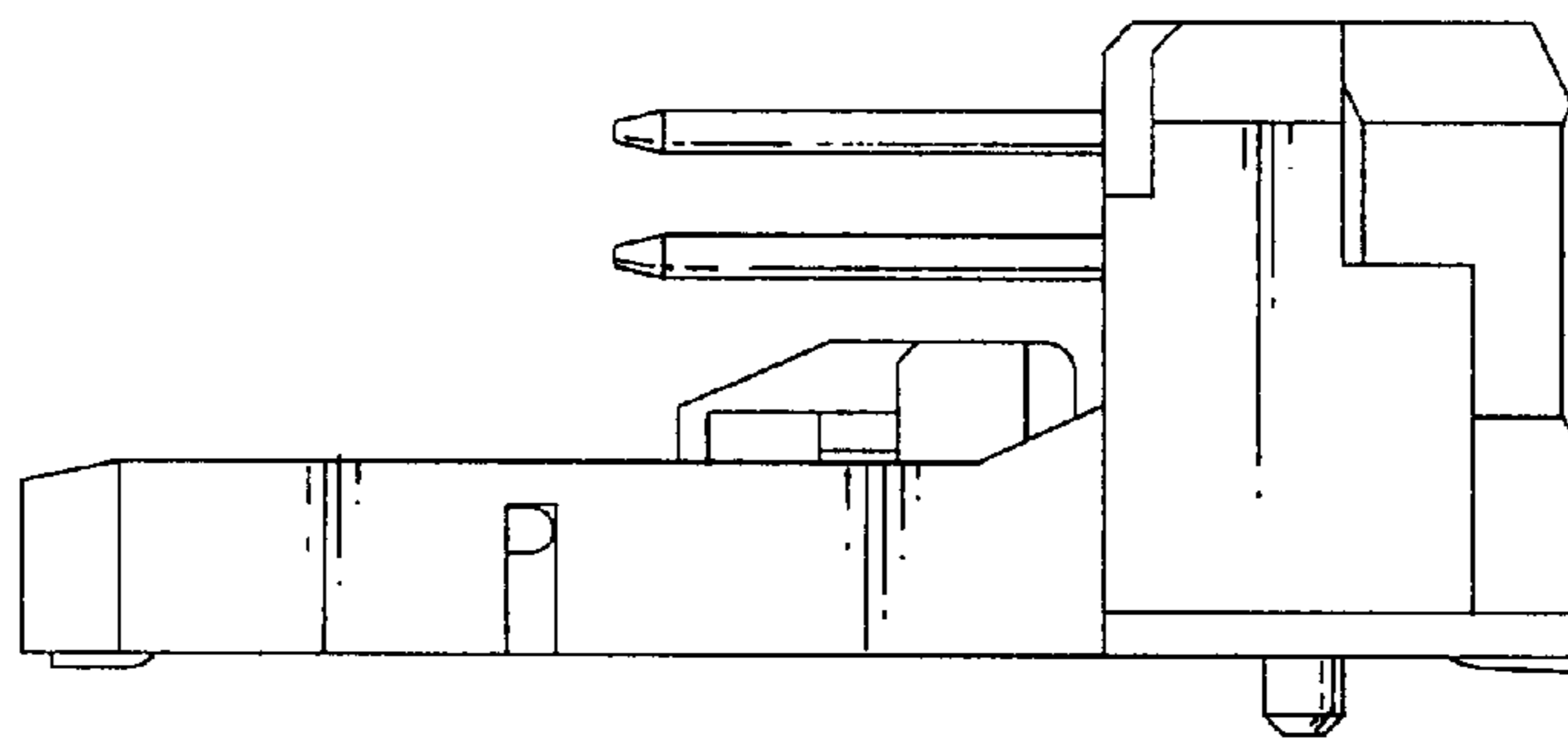


FIG. 6

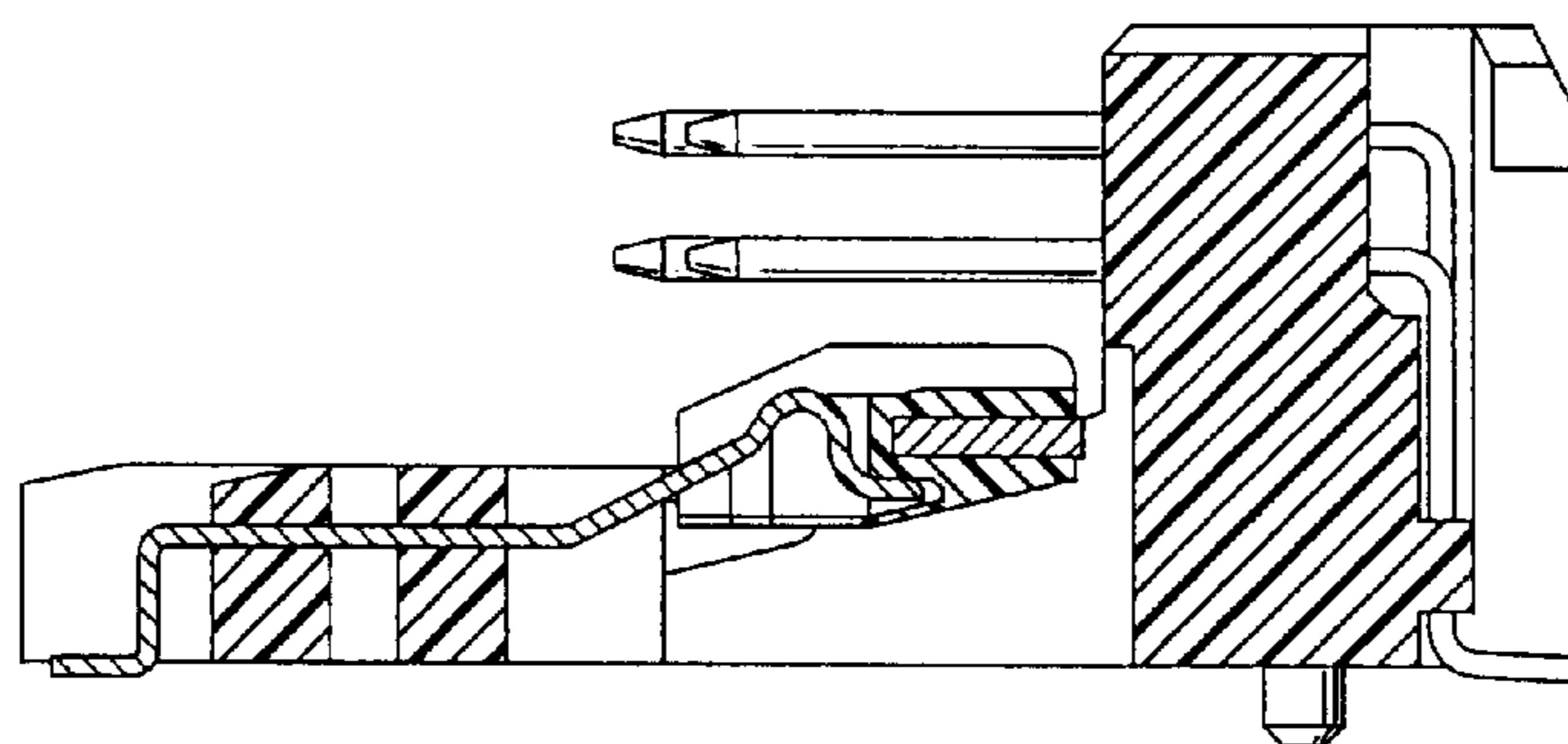


FIG. 7

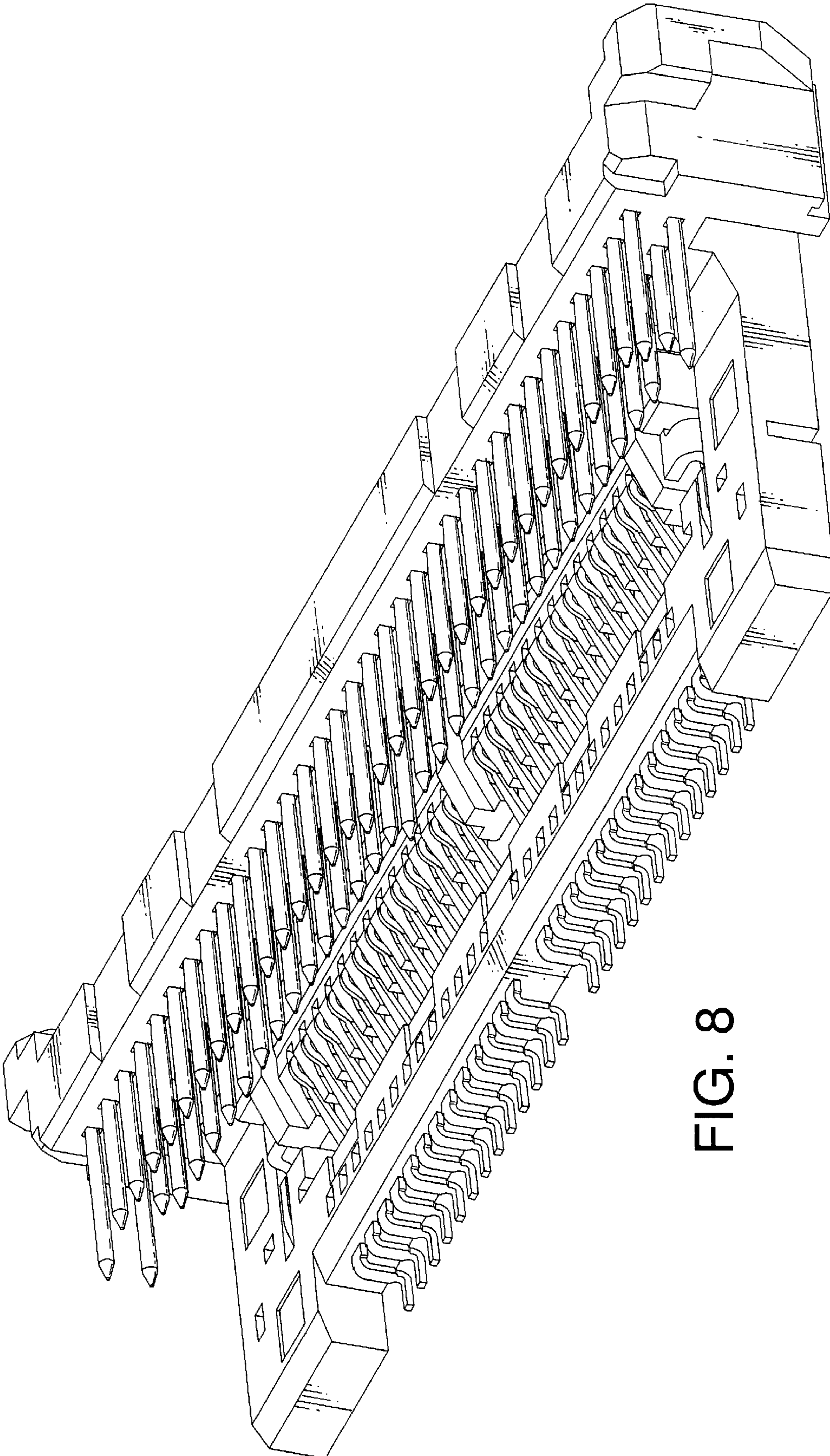


FIG. 8

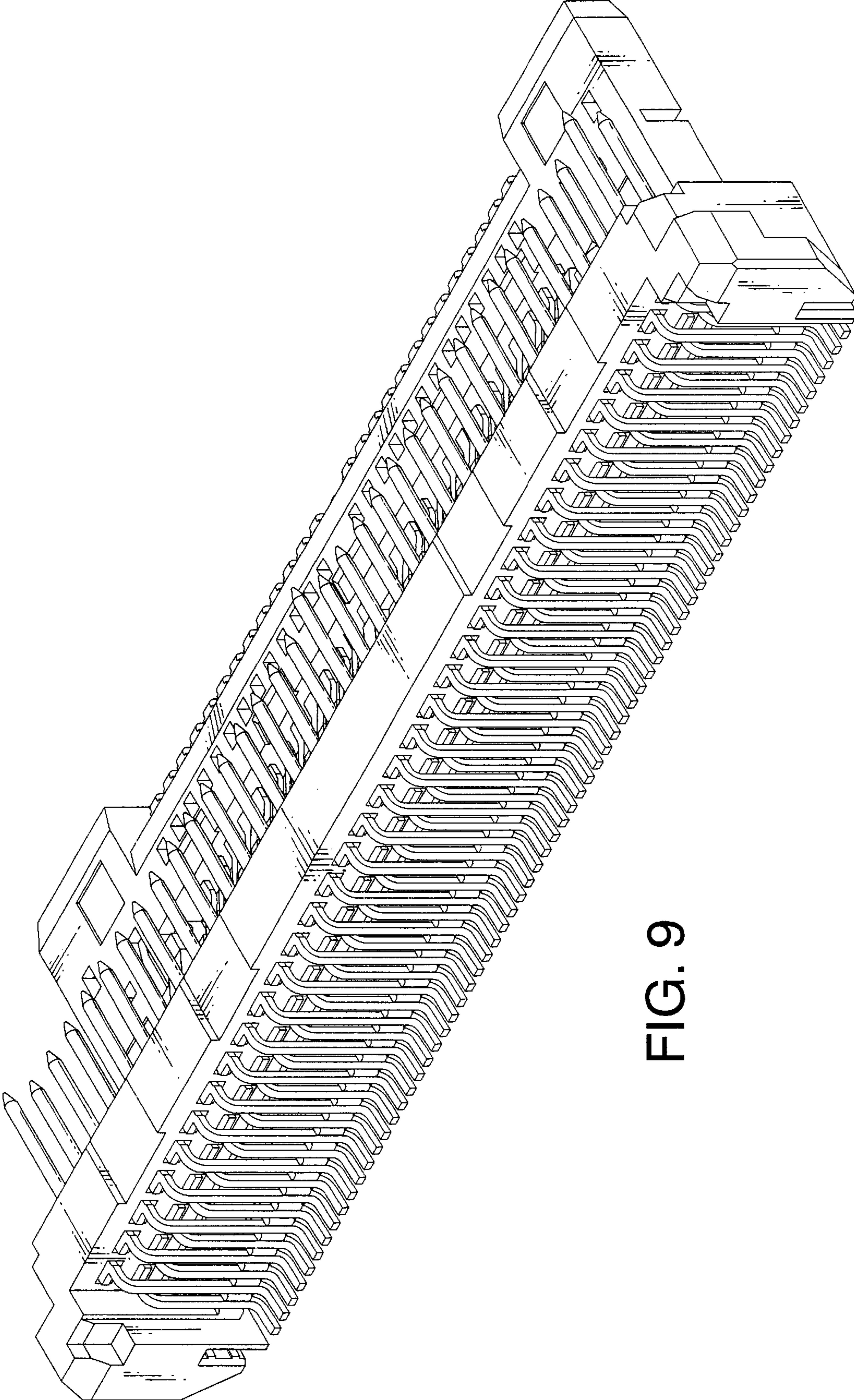


FIG. 9