



US00D537040S

(12) **United States Design Patent**
Chesebro et al.

(10) **Patent No.:** **US D537,040 S**

(45) **Date of Patent:** **** *Feb. 20, 2007**

(54) **SURGE PROTECTOR**

(75) Inventors: **Stephen Barry Chesebro**, Sheridan, IN (US); **John Dan Mabry**, Seattle, WA (US)

(73) Assignee: **Thomson Licensing, S.A.**, Indianapolis, IN (US)

(*) Notice: This patent is subject to a terminal disclaimer.

(**) Term: **14 Years**

(21) Appl. No.: **29/234,817**

(22) Filed: **Jul. 22, 2005**

(51) **LOC (8) Cl.** **13-03**

(52) **U.S. Cl.** **D13/139.8**

(58) **Field of Classification Search** .. D13/137.1-139.8, D13/124, 160, 162, 164, 178; 361/118, 119; 439/106-108, 188, 535, 650-654

See application file for complete search history.

(56) **References Cited**

U.S. PATENT DOCUMENTS

| | | | | | |
|------------|---|---------|---------------|-------|-----------|
| D270,629 S | * | 9/1983 | Drew | | D13/139.7 |
| D356,544 S | * | 3/1995 | Fladung | | D13/139.8 |
| D368,467 S | * | 4/1996 | Parshad | | D13/139.8 |
| D401,220 S | * | 11/1998 | Dwight et al. | | D13/139.6 |
| D401,221 S | * | 11/1998 | Dwight et al. | | D13/139.6 |
| D402,963 S | * | 12/1998 | Parshad | | D13/139.6 |
| D443,591 S | * | 6/2001 | Tong et al. | | D13/139.8 |

| | | | | | |
|------------|---|---------|---------------|-------|-----------|
| D445,091 S | * | 7/2001 | Tong et al. | | D13/139.8 |
| D458,225 S | * | 6/2002 | Stekelenburg | | D13/139.8 |
| D466,079 S | * | 11/2002 | Stekelenburg | | D13/139.8 |
| D467,875 S | * | 12/2002 | Barger et al. | | D13/139.8 |
| D484,098 S | * | 12/2003 | Lee | | D13/139.8 |
| D489,685 S | * | 5/2004 | Yu | | D13/139.8 |

* cited by examiner

Primary Examiner—Alan P. Douglas

Assistant Examiner—Rosemary K. Tarcza

(74) *Attorney, Agent, or Firm*—Fletcher Yoder

(57) **CLAIM**

The ornamental design for a surge protector, as shown and described.

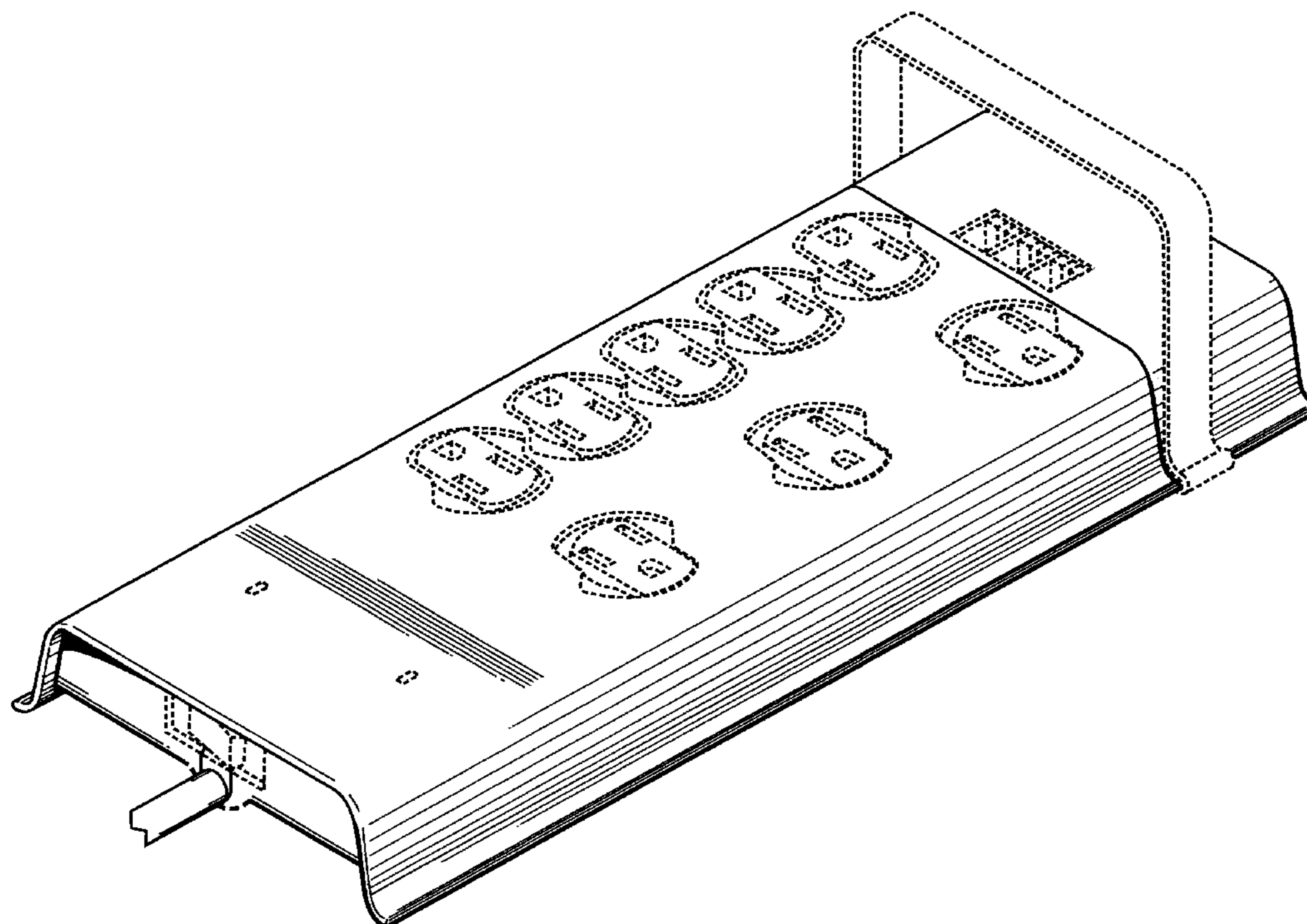
DESCRIPTION

FIG. 1 is a top perspective view of the design of the surge protector having a number of environmental features, including a power switch, a plurality of LED indicators, a plurality of electrical outlets, a cord management structure and a plurality of telephone jacks; and,

FIG. 2 is a top view of the surge protector having a number of environmental features, including the plurality of LED indicators, the plurality of electrical outlets and the core management structure illustrated in FIG. 1 and further having additional environmental features, including a plurality of coaxial connectors.

The broken lines provided in the above views are used to indicate environmental structures and form no part of the claimed design.

1 Claim, 2 Drawing Sheets



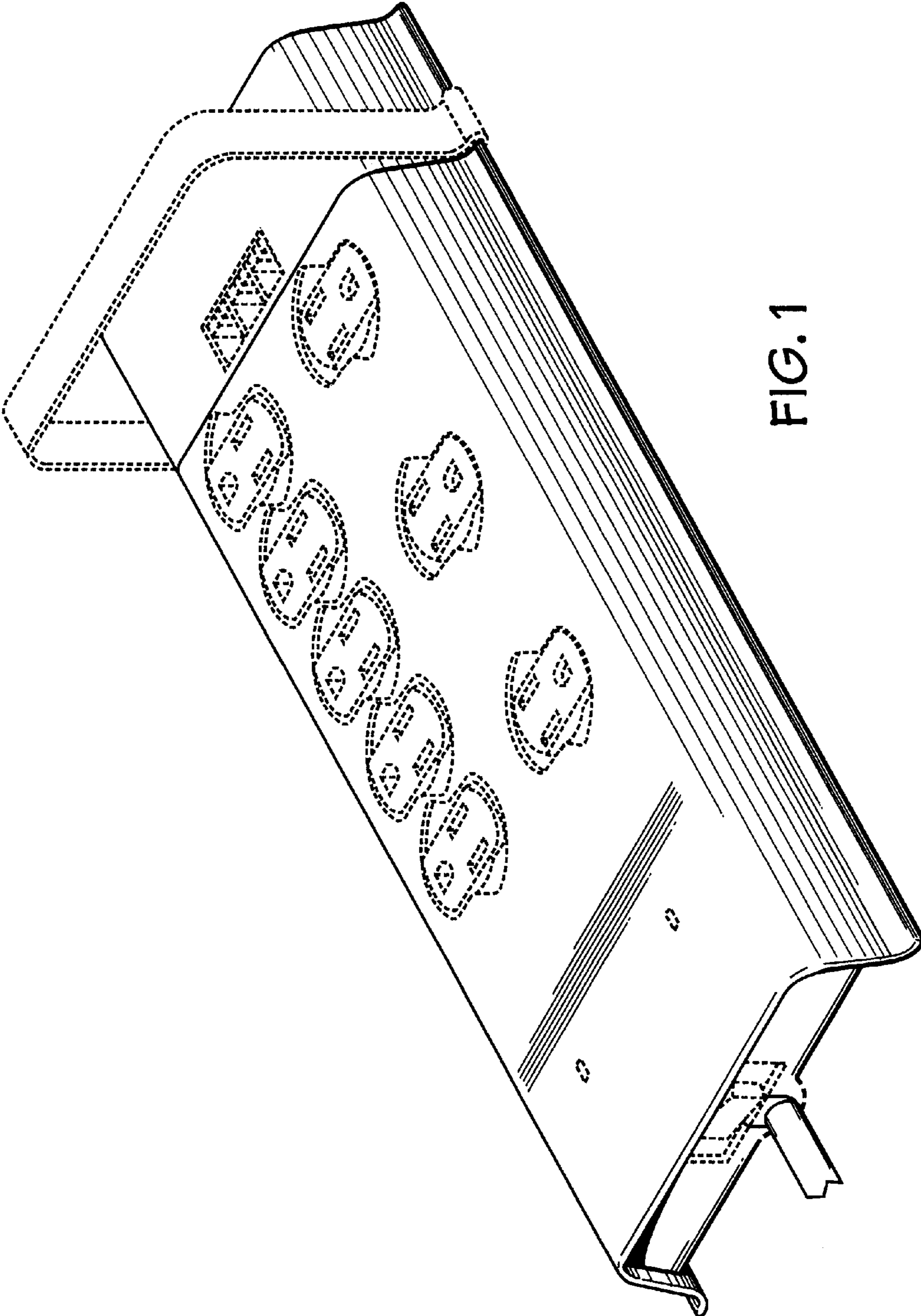


FIG. 1

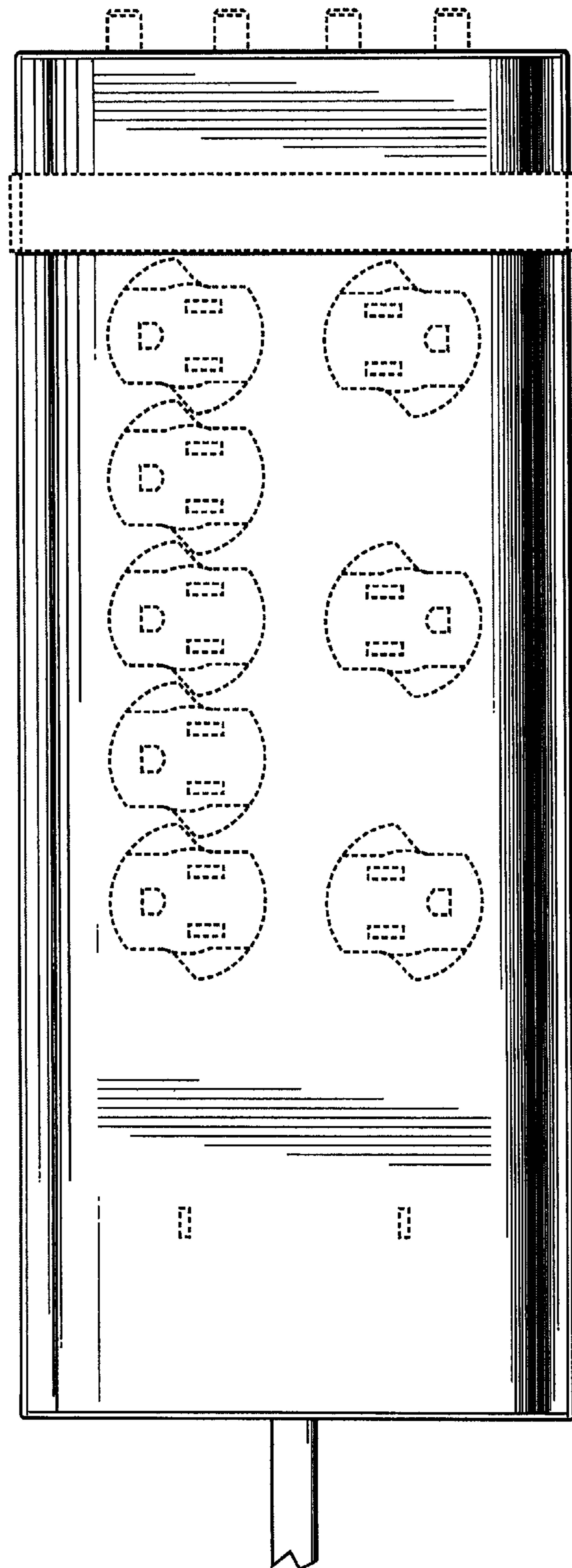


FIG. 2