



US00D537038S

(12) **United States Design Patent**
Campolo et al.

(10) **Patent No.:** **US D537,038 S**
(45) **Date of Patent:** **** Feb. 20, 2007**

(54) **DOUBLE LAMP HOLDER WITH GROUND
FAULT CIRCUIT INTERRUPTER
RECEPTACLE**

D171,490 S * 2/1954 Borowitz D26/106
D408,355 S * 4/1999 Welsh et al. D13/139.4
2005/0275982 A1 * 12/2005 Campolo et al. 361/42
2006/0126235 A1 * 6/2006 Campolo et al. 361/42

(75) Inventors: **Steve Campolo**, Malverne, NY (US);
Lawrence S. Leopold, Floral Park, NY
(US); **James Richter**, Bethpage, NY
(US); **James A. Porter**, Farmingdale,
NY (US)

FOREIGN PATENT DOCUMENTS

DE DM/051313 * 2/2000
DE DM/064242 * 4/2003

* cited by examiner

(73) Assignee: **Leviton Manufacturing Co., Inc.**,
Little Neck, NY (US)

Primary Examiner—Daniel Bui
(74) *Attorney, Agent, or Firm*—Paul J. Sutton

(**) Term: **14 Years**

(57) **CLAIM**

(21) Appl. No.: **29/226,500**

The ornamental design for a double lamp holder with ground
fault circuit interrupter receptacle, as shown and described.

(22) Filed: **Mar. 30, 2005**

DESCRIPTION

(51) **LOC (8) Cl.** **13-03**

(52) **U.S. Cl.** **D13/136; D26/138**

(58) **Field of Classification Search** D13/133,
D13/136, 146-147, 160, 184, 199; D26/93,
D26/102, 106, 138; 313/1, 51, 238-239,
313/243, 281, 358; 361/42; 439/248, 254,
439/890, 894

FIG. 1 is a top perspective view of a double lamp holder with
ground fault circuit interrupter receptacle, showing our new
design;

FIG. 2 is a top plan view thereof;

FIG. 3 is a front elevation view thereof, a rear view being a
mirror image of thereof;

FIG. 4 is a left side elevation view thereof, a right side view
being a mirror image of thereof; and,

FIG. 5 is a bottom plan view thereof.

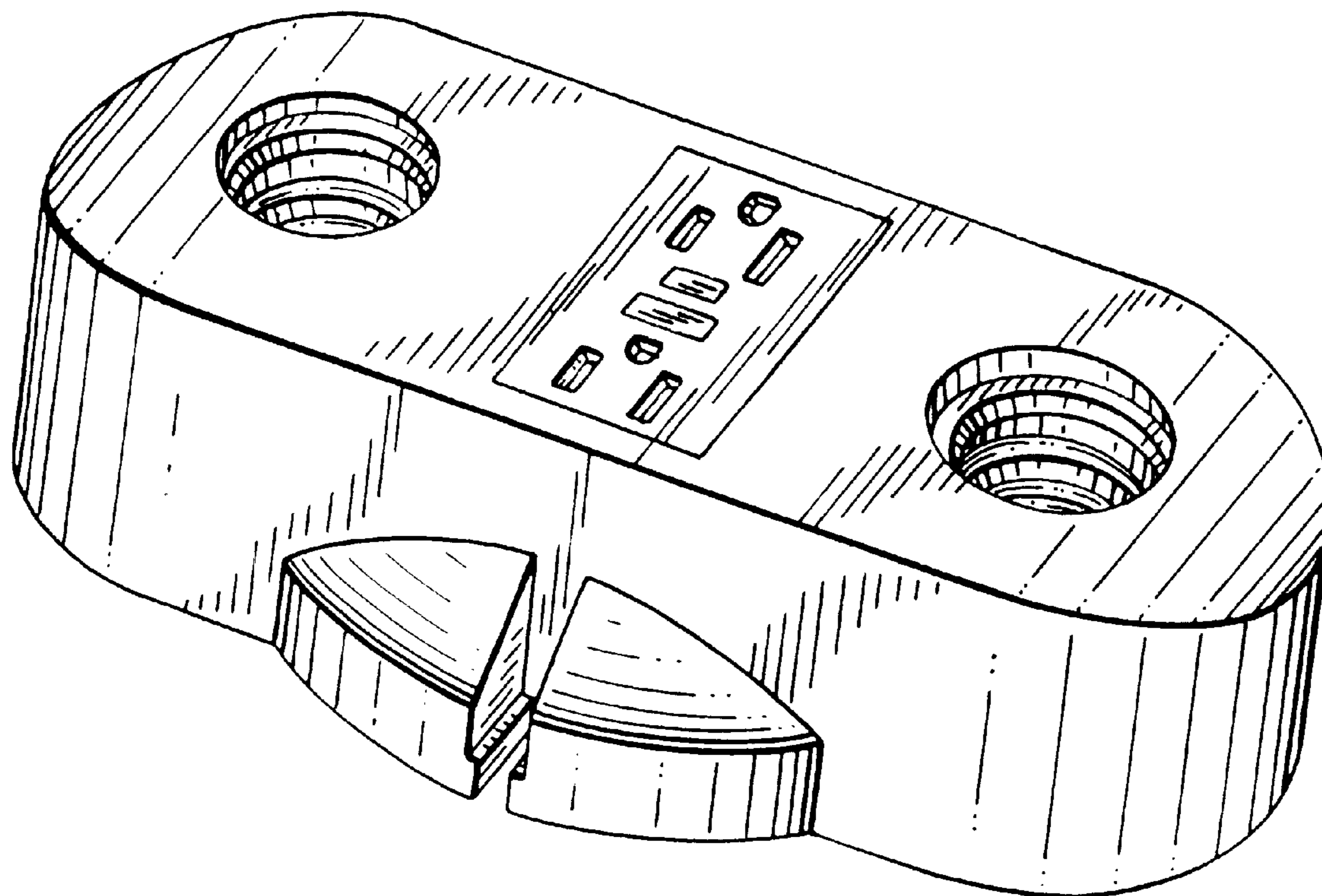
See application file for complete search history.

(56) **References Cited**

U.S. PATENT DOCUMENTS

D53,375 S * 5/1919 O'Donnell D13/136

1 Claim, 2 Drawing Sheets



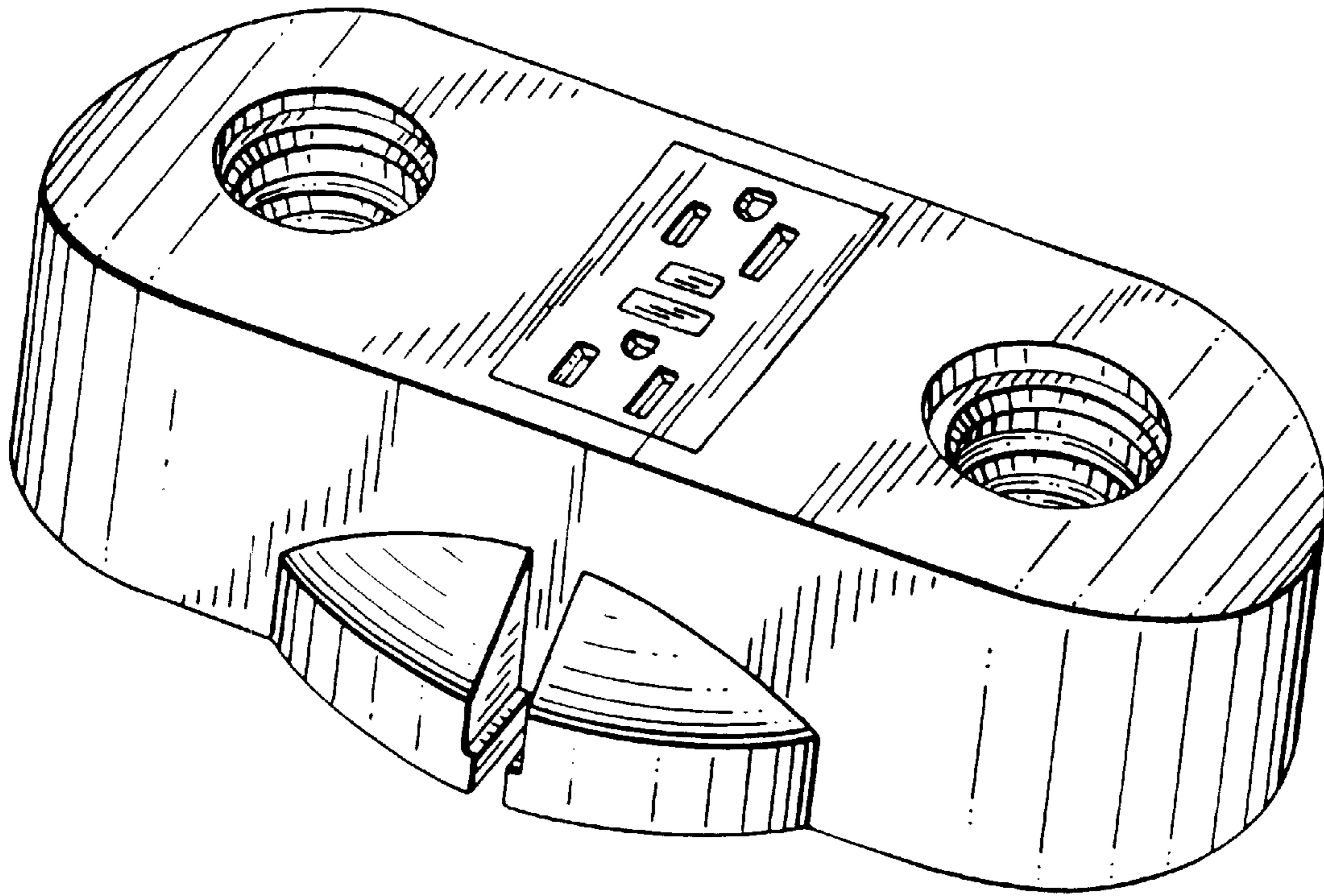


FIG. 1

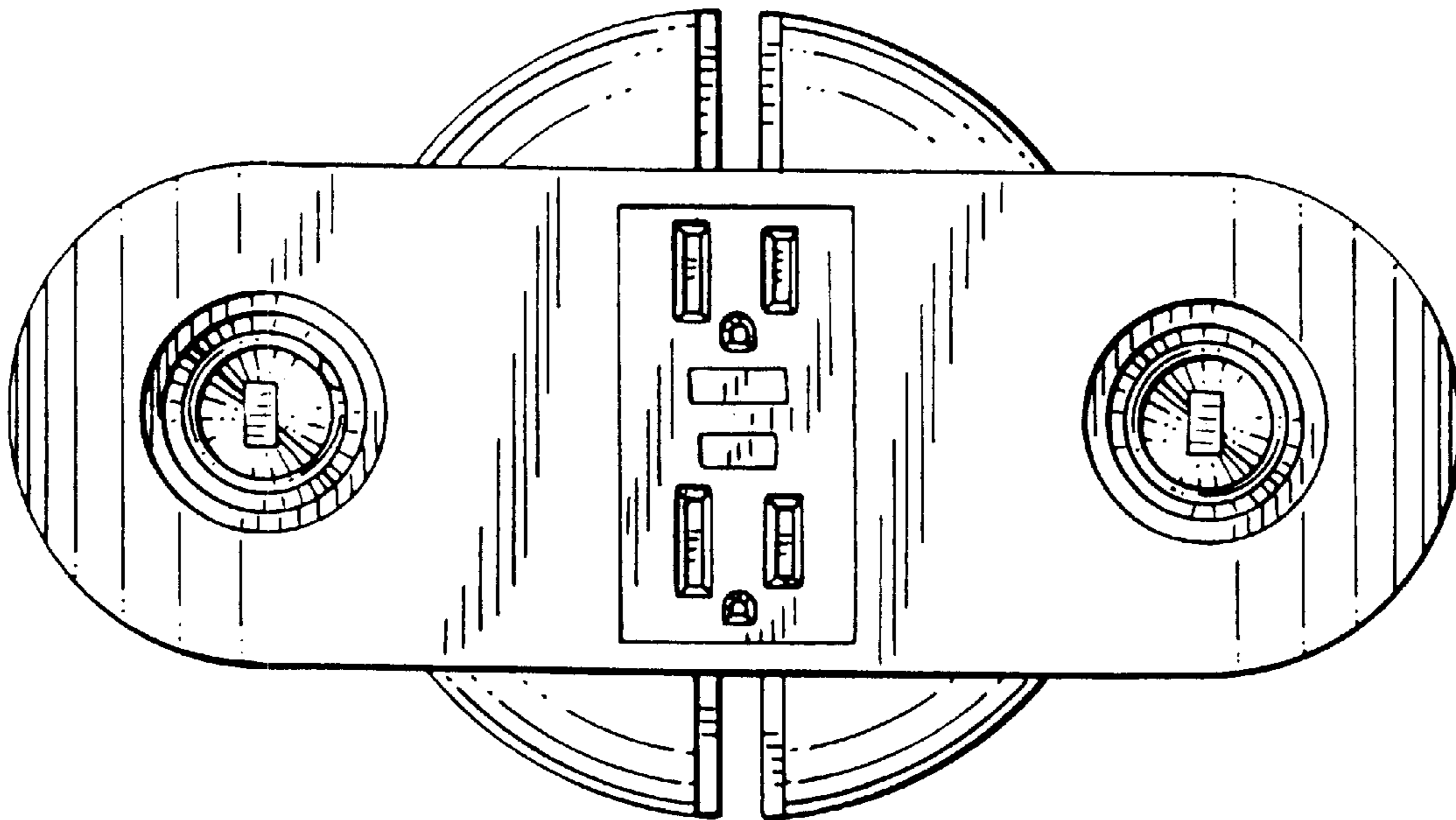


FIG. 2

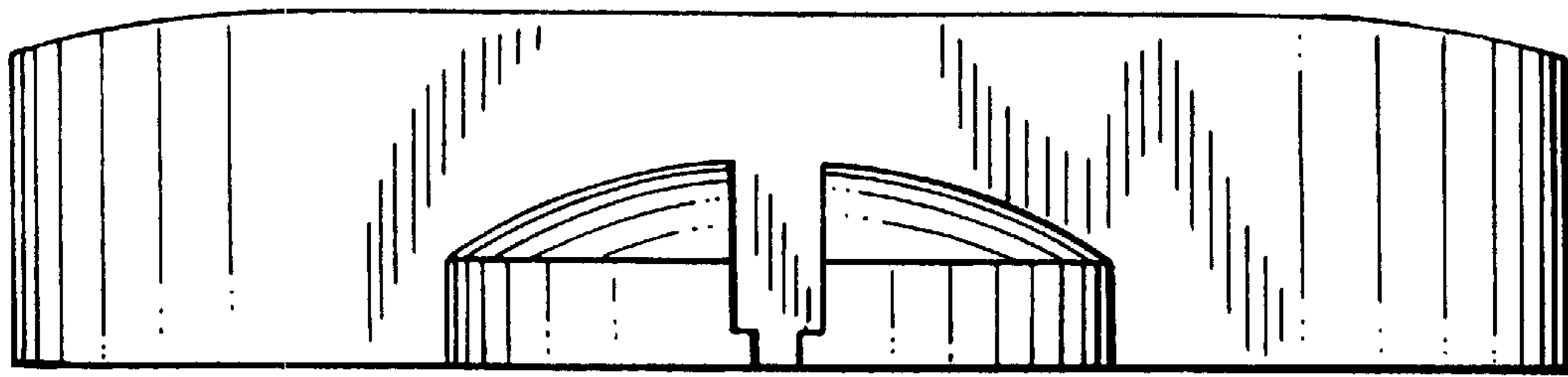


FIG. 3

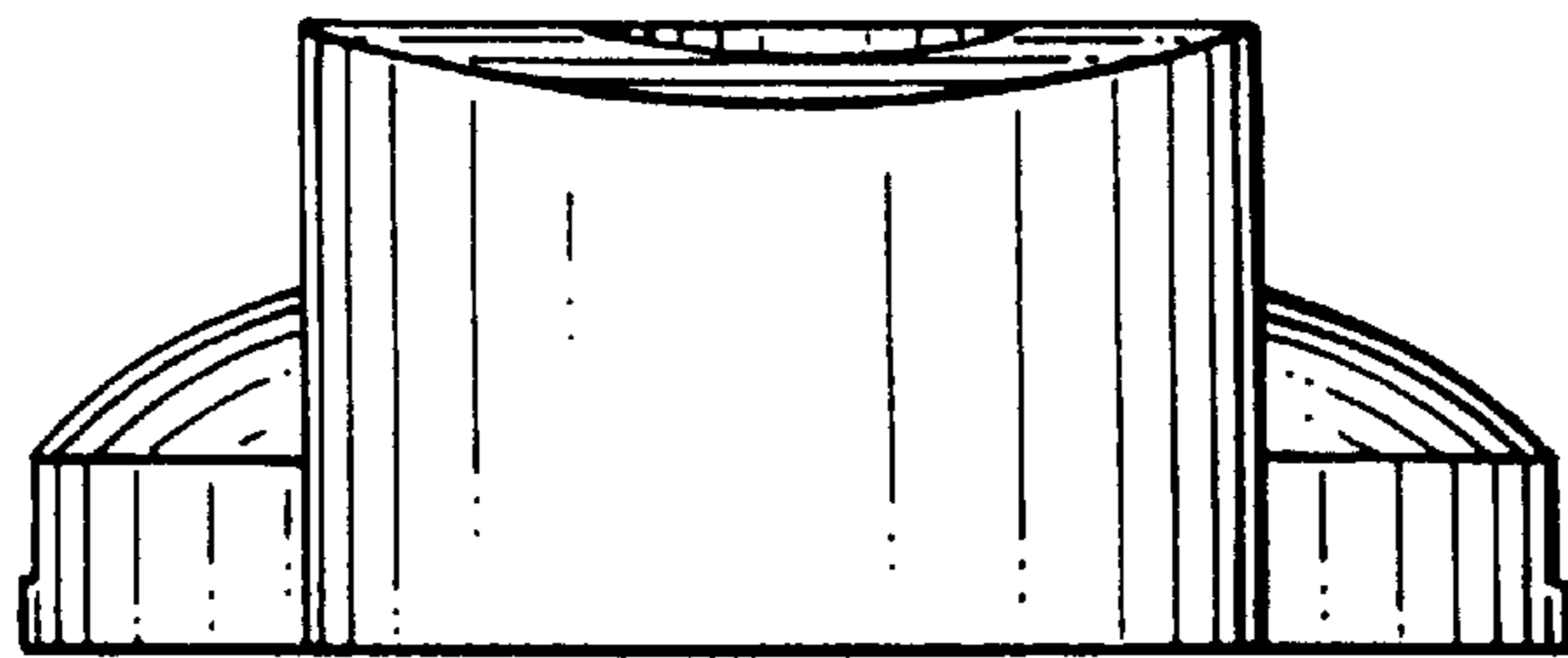


FIG. 4

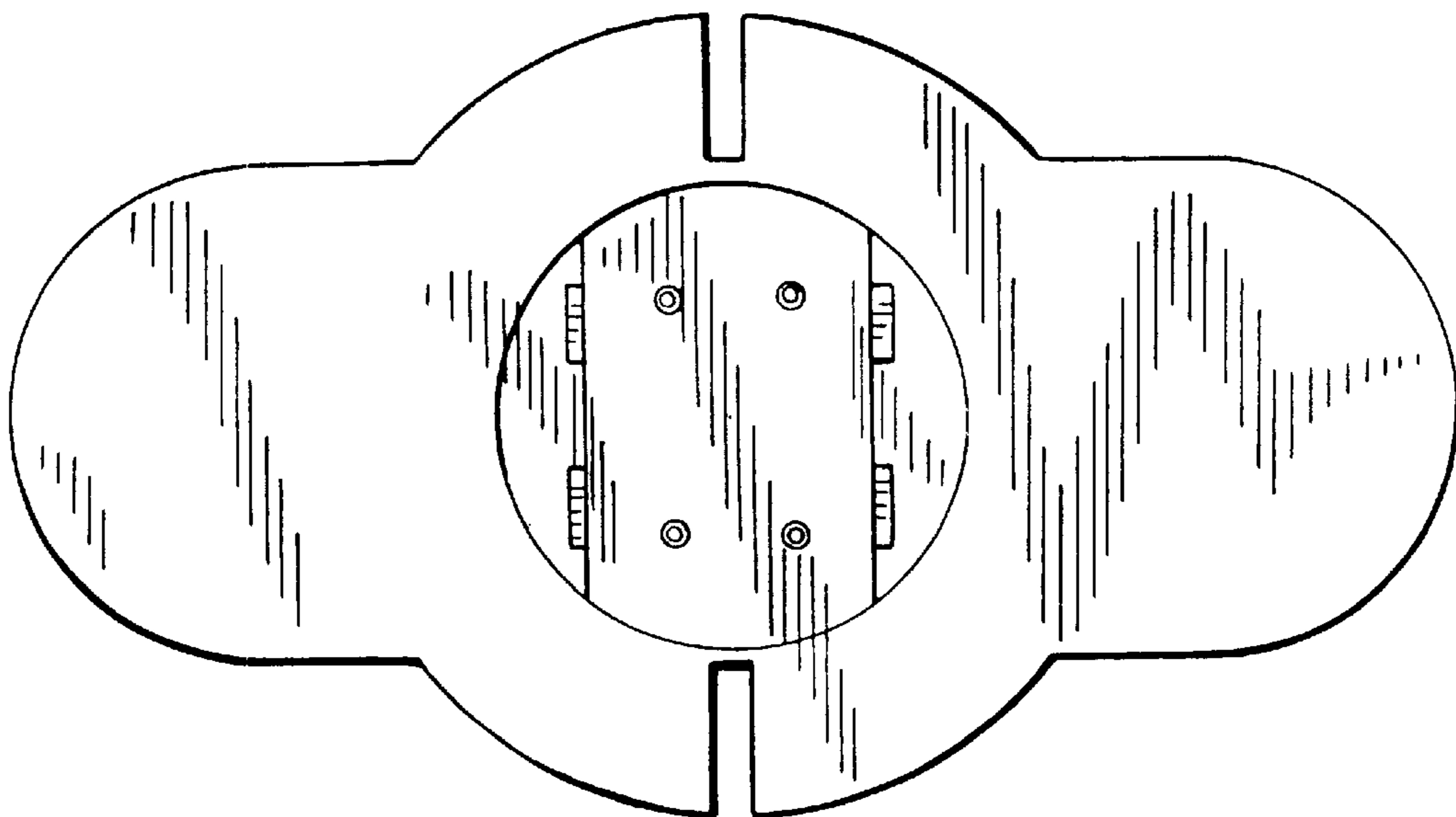


FIG. 5