



US00D537035S

(12) **United States Design Patent**  
**Tomoe**

(10) **Patent No.:** **US D537,035 S**

(45) **Date of Patent:** **\*\* Feb. 20, 2007**

(54) **VIBRATION GENERATOR**

5,850,110 A \* 12/1998 Kroger ..... 310/81  
D480,359 S \* 10/2003 Yamada et al. .... D13/114

(75) Inventor: **Shintarou Tomoe**, Itami (JP)

\* cited by examiner

(73) Assignee: **IMV Corporation**, Osaka (JP)

*Primary Examiner*—Prabhakar Deshmukh

(\*\*) Term: **14 Years**

*Assistant Examiner*—Derrick Holland

(21) Appl. No.: **29/229,805**

(74) *Attorney, Agent, or Firm*—Armstrong, Kratz, Quintos,  
Hanson & Brooks, LLP

(22) Filed: **May 12, 2005**

(57) **CLAIM**

(51) **LOC (8) Cl.** ..... **13-01**

The ornamental design for a vibration generator, as shown  
and described.

(52) **U.S. Cl.** ..... **D13/114**

(58) **Field of Classification Search** ..... D13/114,  
D13/112, 122, 199; 173/49; 310/51, 81, 89,  
310/154.24, 322

**DESCRIPTION**

See application file for complete search history.

FIG. 1 is a front view of the vibration generator of the  
present invention;

(56) **References Cited**

**U.S. PATENT DOCUMENTS**

- 3,529,188 A \* 9/1970 Gearing ..... 310/27
- 3,640,508 A \* 2/1972 Reibig ..... 366/116
- 4,113,034 A \* 9/1978 Carlson ..... 173/49
- D249,788 S \* 10/1978 Nanjo ..... D13/116
- 5,406,152 A \* 4/1995 Fechner et al. .... 310/15
- 5,818,135 A \* 10/1998 Riedl et al. .... 310/81

FIG. 2 is a rear view thereof;

FIG. 3 is a right side view thereof;

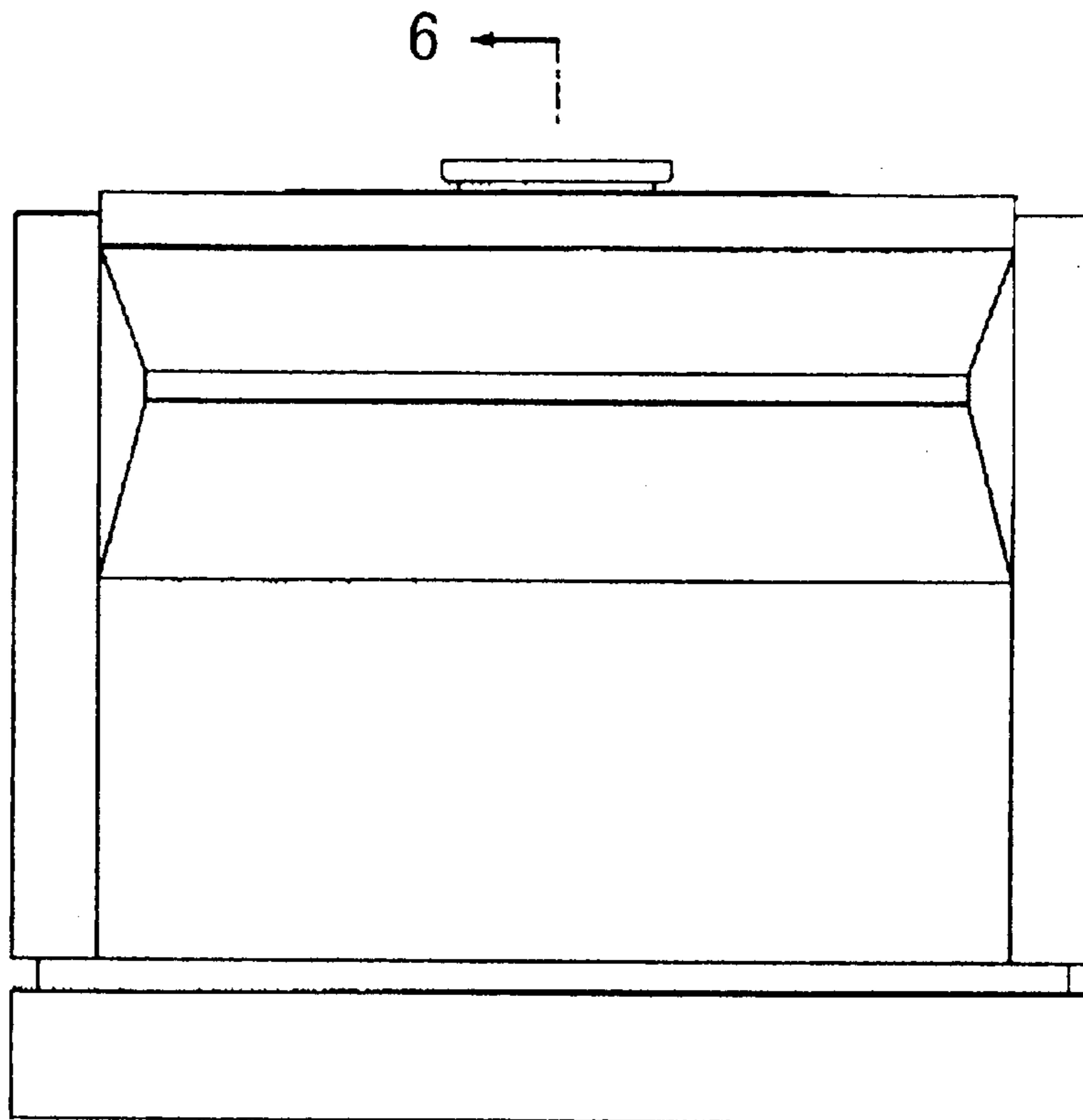
FIG. 4 is a plan view thereof;

FIG. 5 is a bottom view thereof;

FIG. 6 is a cross-sectional view taken along line 6—6 of  
FIG. 1; and,

FIG. 7 is a prospective view thereof.

**1 Claim, 4 Drawing Sheets**



6

FIG. 1

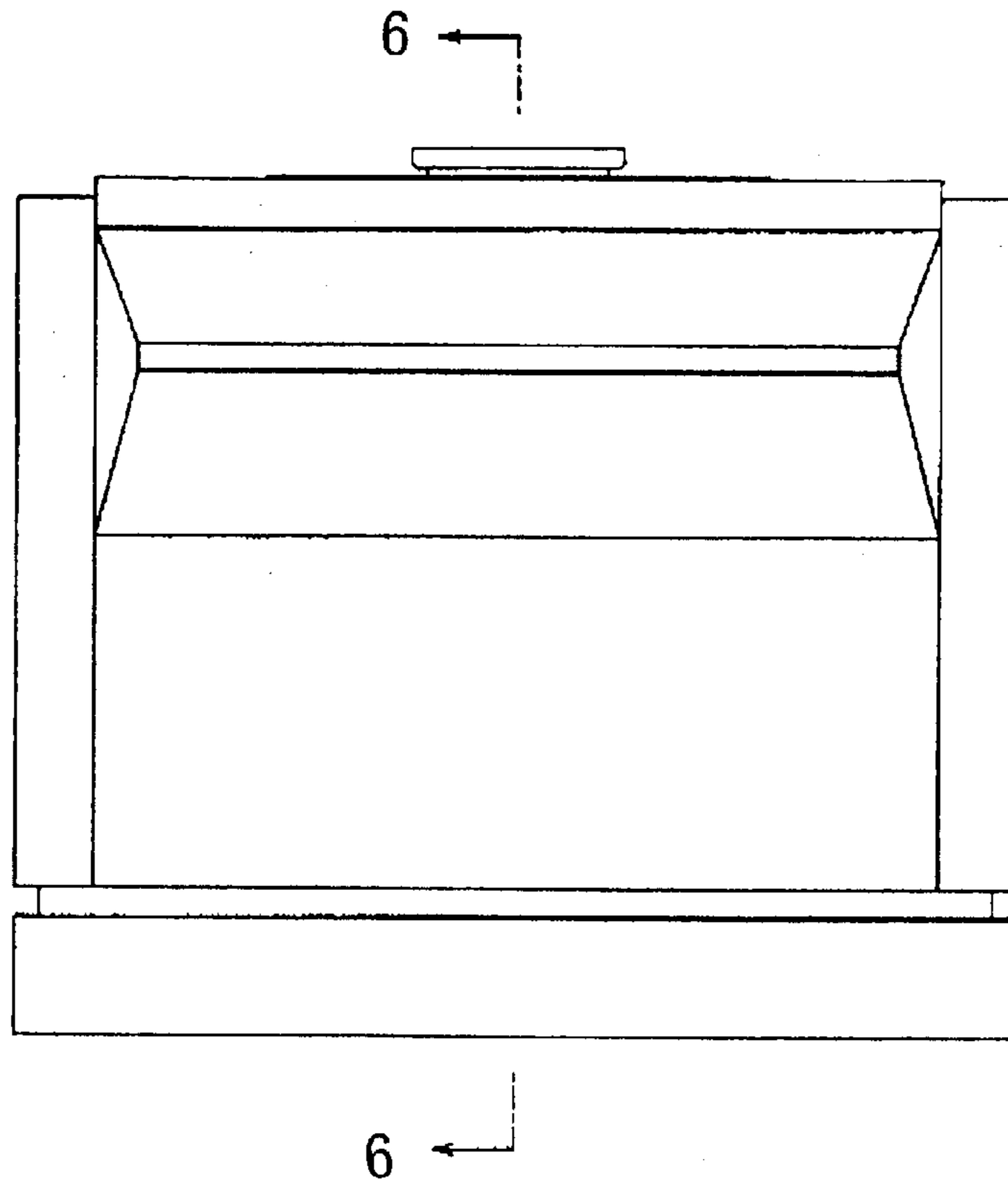
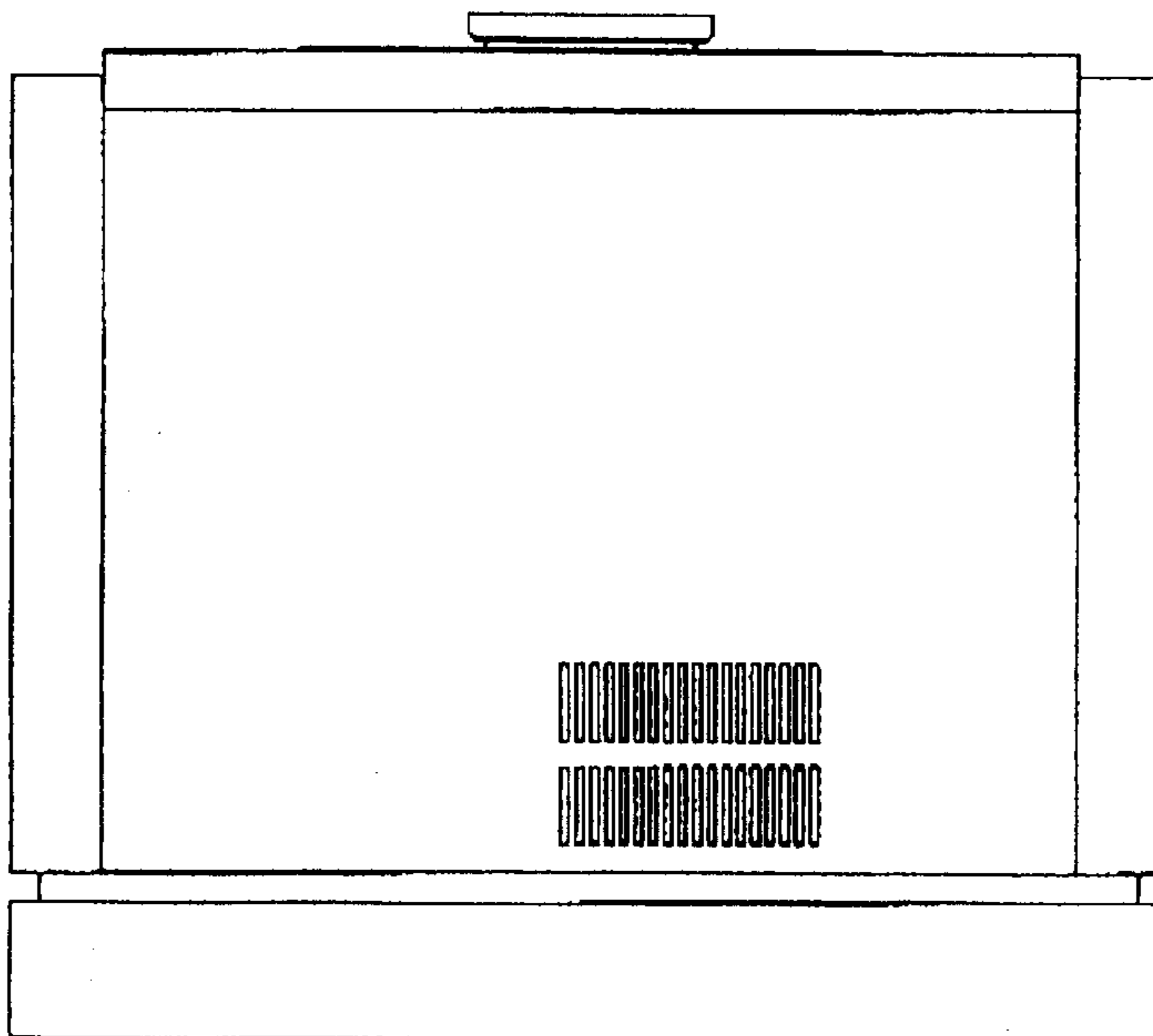
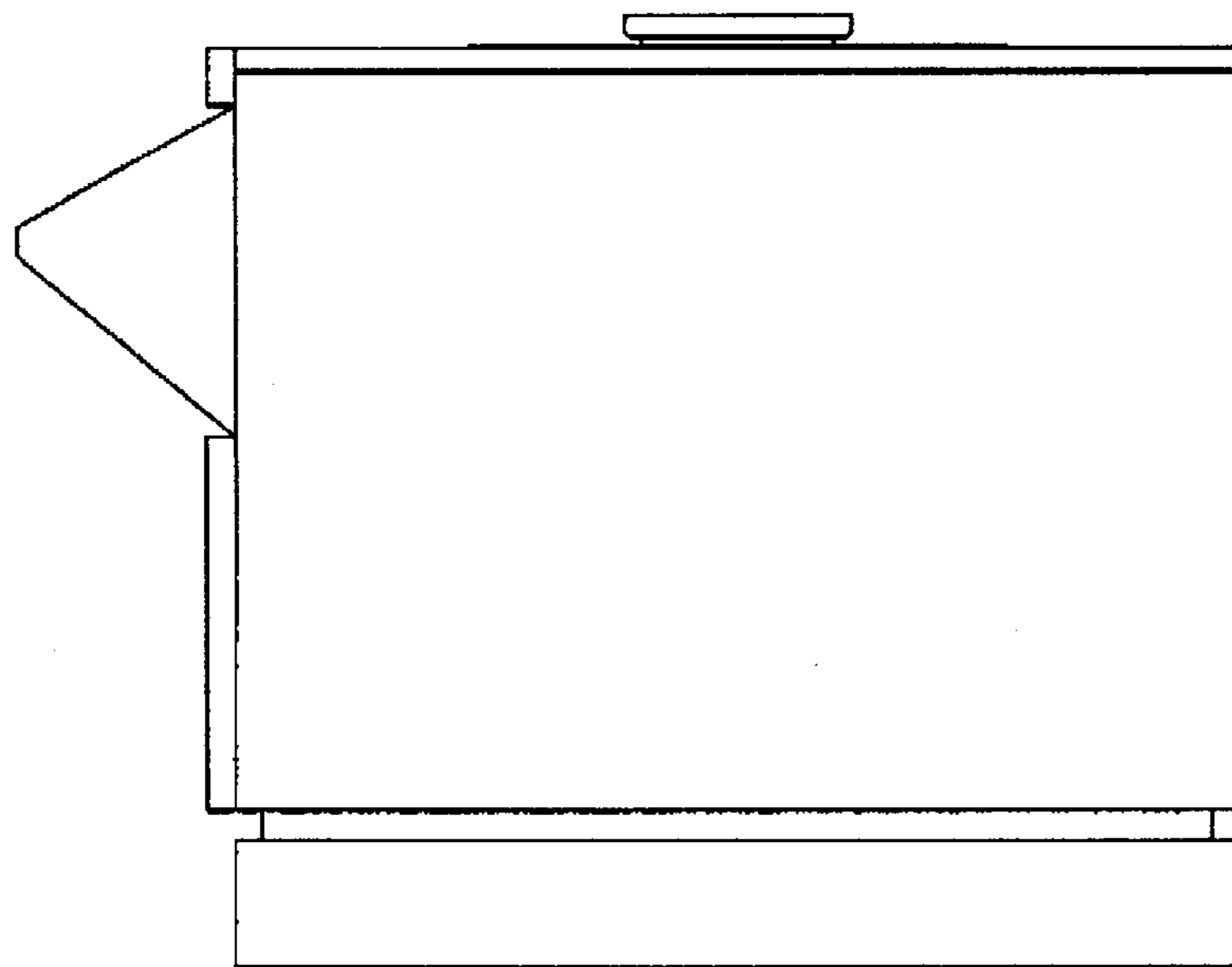


FIG. 2



**FIG. 3**



**FIG. 4**

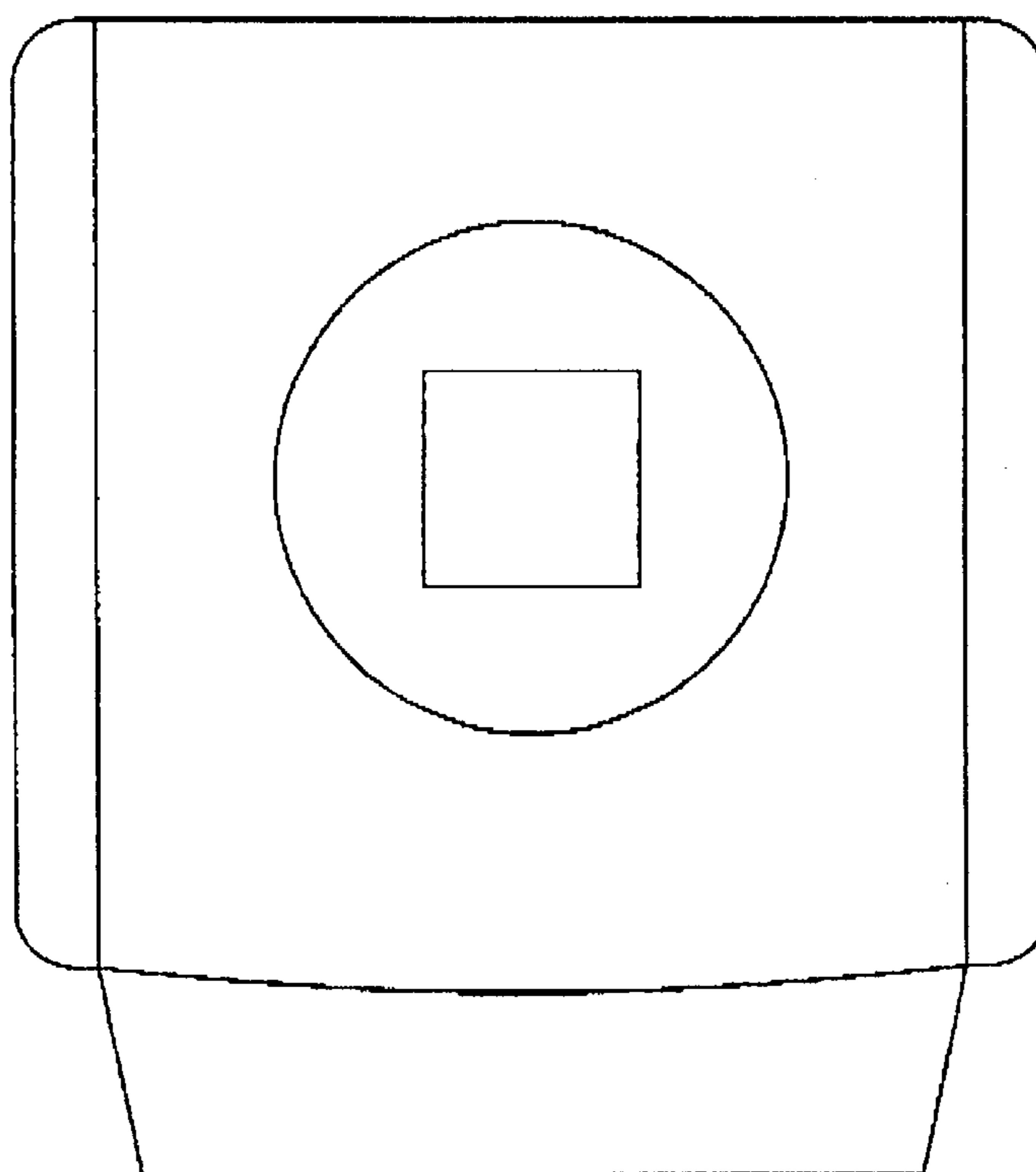


FIG. 5

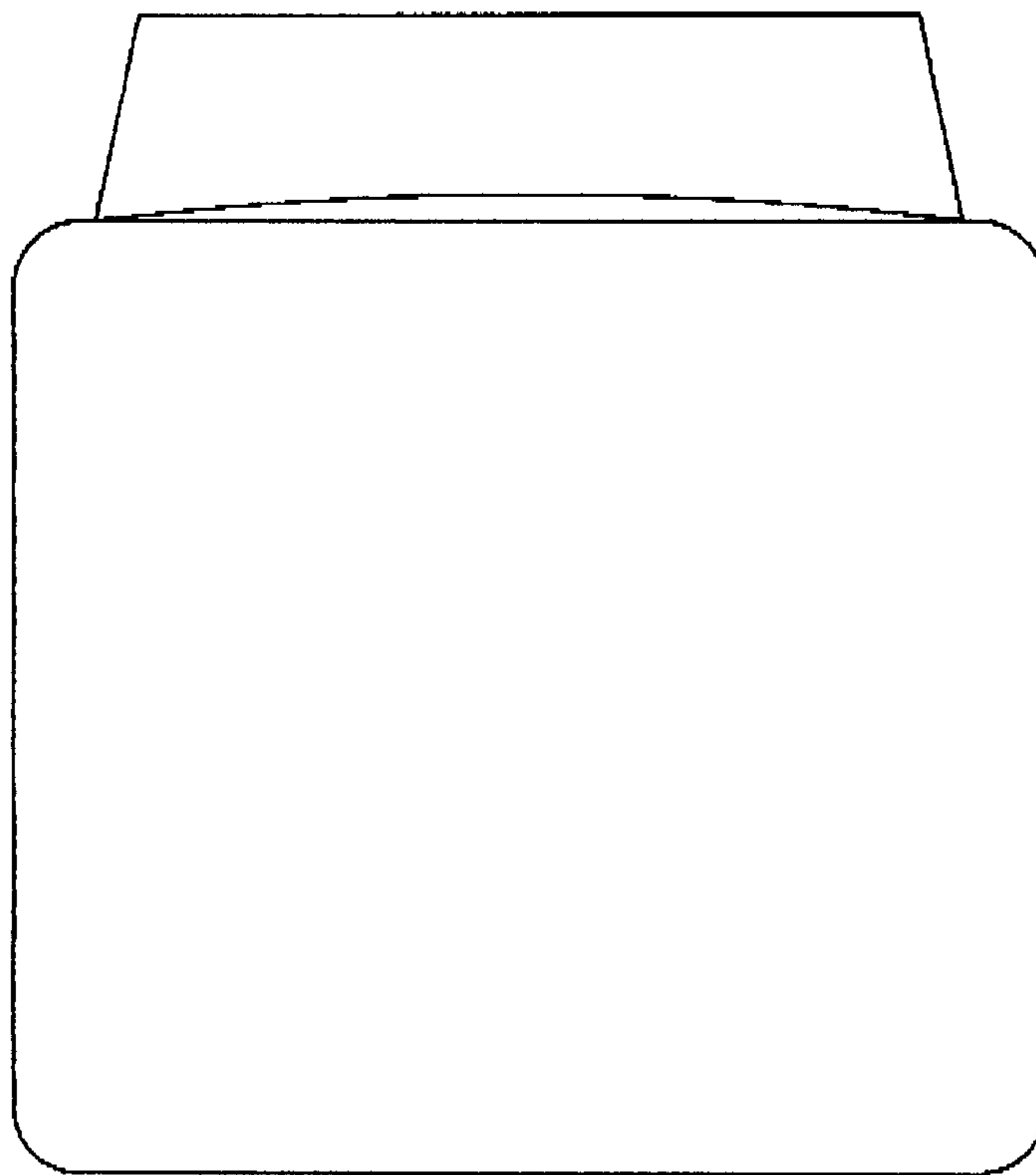
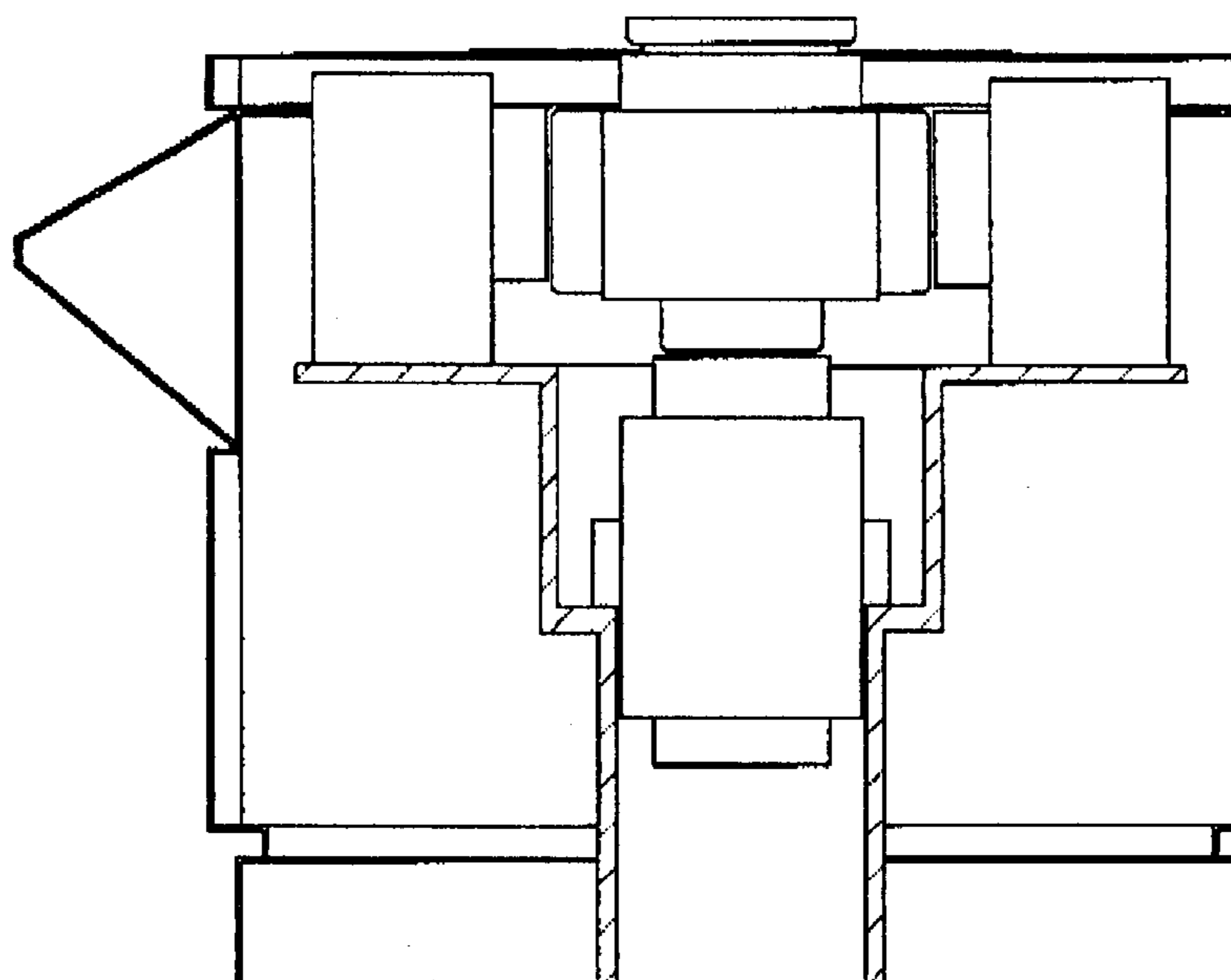


FIG. 6



**FIG. 7**

