

US00D537028S

(12) **United States Design Patent**
Norman

(10) **Patent No.:** **US D537,028 S**
(45) **Date of Patent:** **** Feb. 20, 2007**

(54) **ULTIMATE PROPELLER GUARD**

Primary Examiner—Lisa Lichtenstein

(76) Inventor: **George Norman**, 6023 26th St. West
PMB#178, Bradenton, FL (US) 34207

(57) **CLAIM**

The ornamental design for an ultimate propeller guard, as shown and described.

(**) Term: **14 Years**

DESCRIPTION

(21) Appl. No.: **29/234,308**

FIG. 1 is an aft elevation view of the ultimate propeller guard, showing my new design;

(22) Filed: **Jul. 14, 2005**

FIG. 2 is a fore elevation view of the ultimate propeller guard;

(51) **LOC (8) Cl.** **12-16**

(52) **U.S. Cl.** **D12/214**

(58) **Field of Classification Search** D12/214;
440/72, 71

FIG. 3 is a left side elevation view of the ultimate propeller guard;

See application file for complete search history.

FIG. 4 is a right side elevation view of the ultimate propeller guard;

(56) **References Cited**

U.S. PATENT DOCUMENTS

4,070,984	A	*	1/1978	Kappas	440/72
4,078,516	A	*	3/1978	Balius	440/72
5,066,254	A	*	11/1991	Bass et al.	440/72
5,176,550	A	*	1/1993	Hooper	440/72
6,159,062	A	*	12/2000	Taylor, Jr.	440/71
6,475,045	B2	*	11/2002	Schultz et al.	440/71

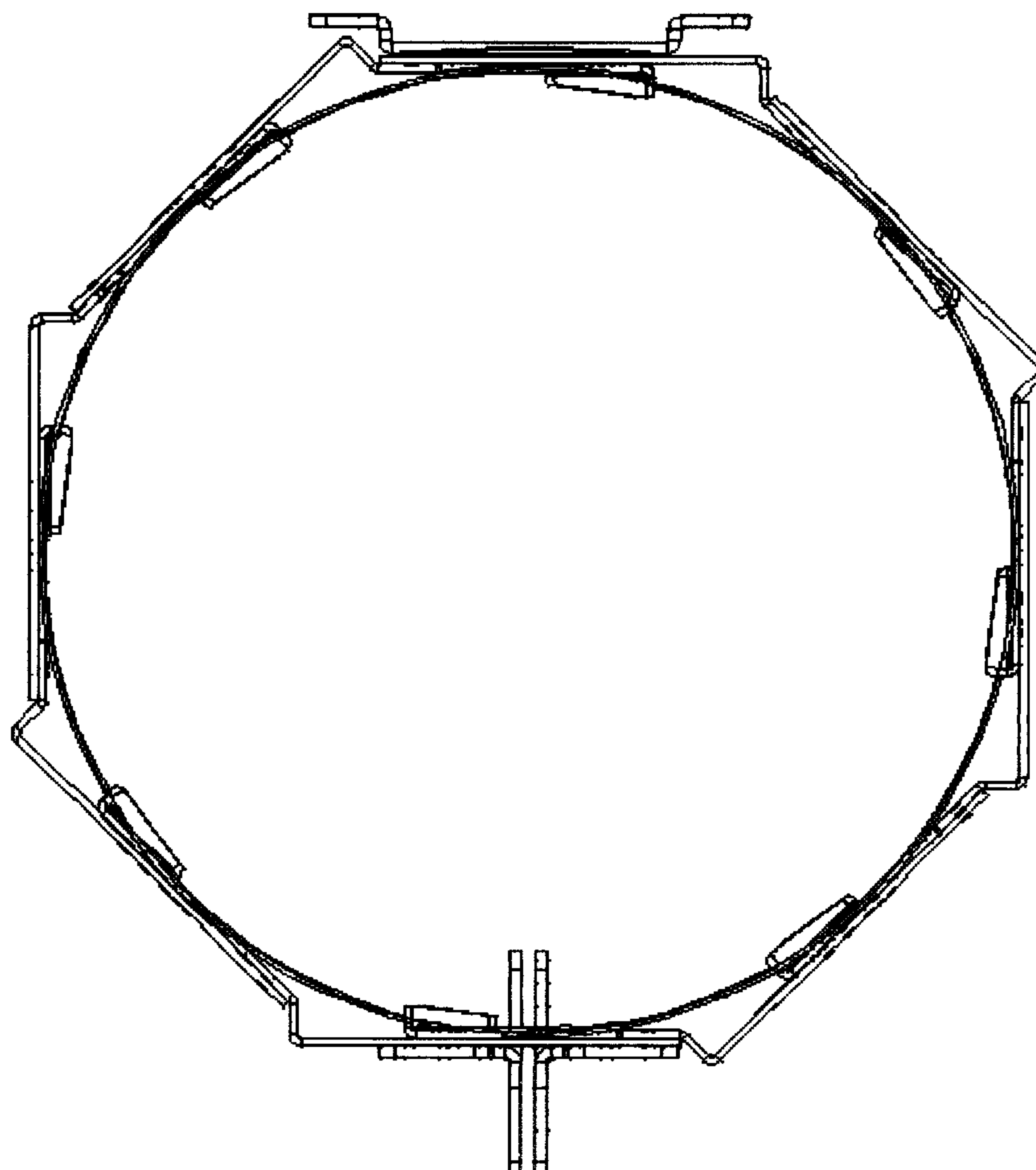
FIG. 5 an enlarged top elevation view of the ultimate propeller guard;

FIG. 6 is an enlarged bottom elevation view of the ultimate propeller guard; and,

FIG. 7 is a perspective view of the ultimate propeller guard of my new design.

* cited by examiner

1 Claim, 7 Drawing Sheets



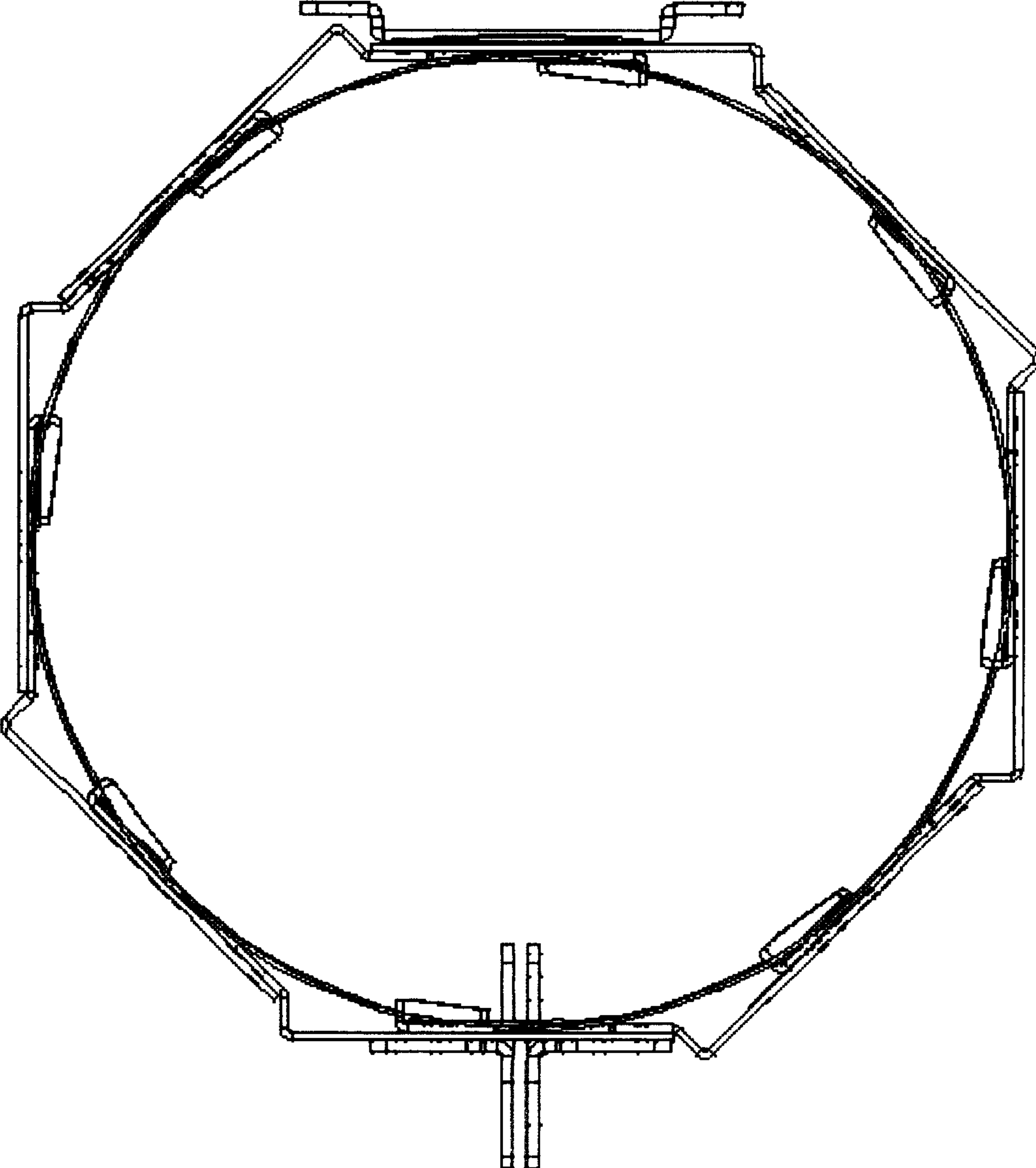


FIG. 1

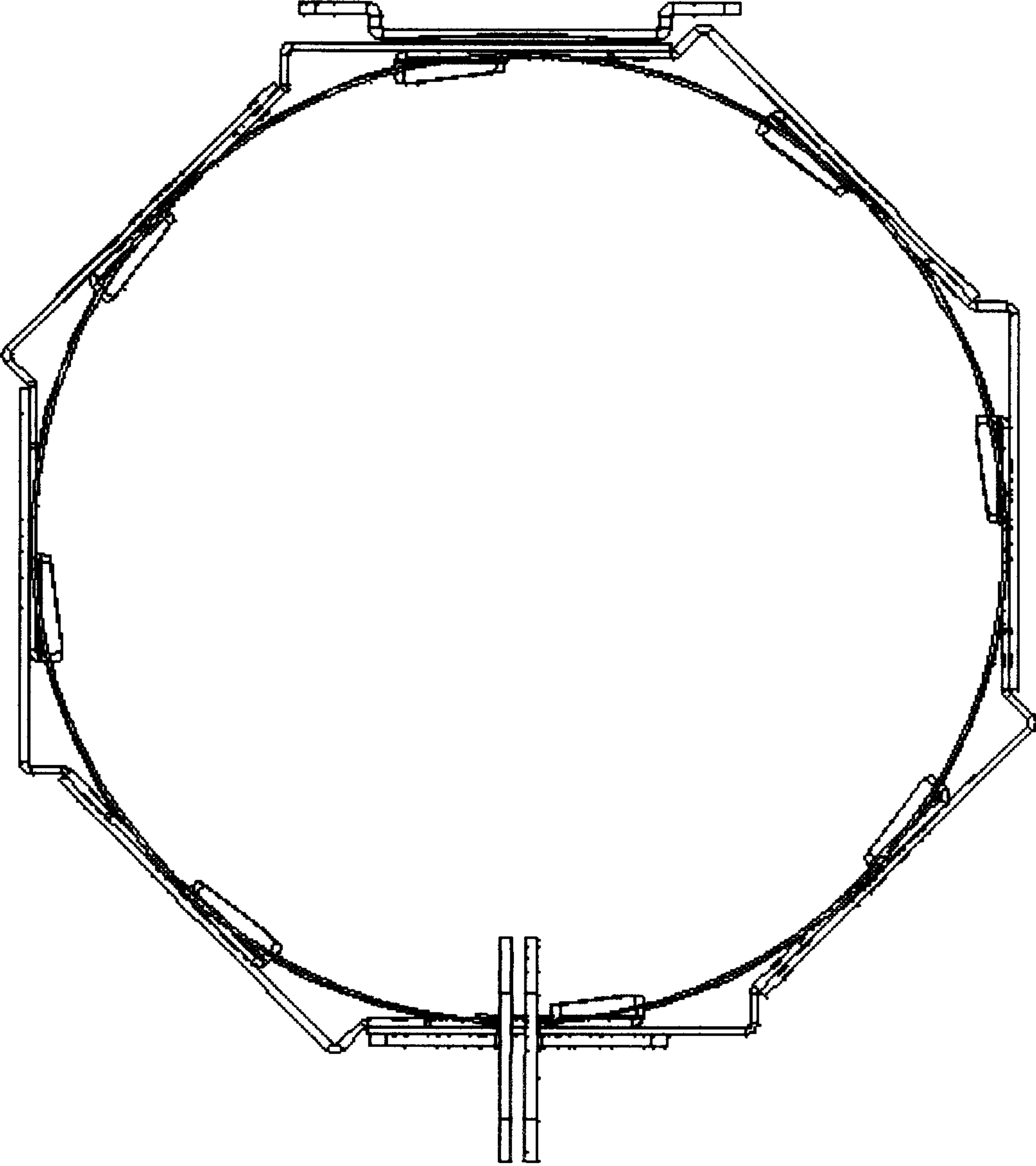


FIG. 2

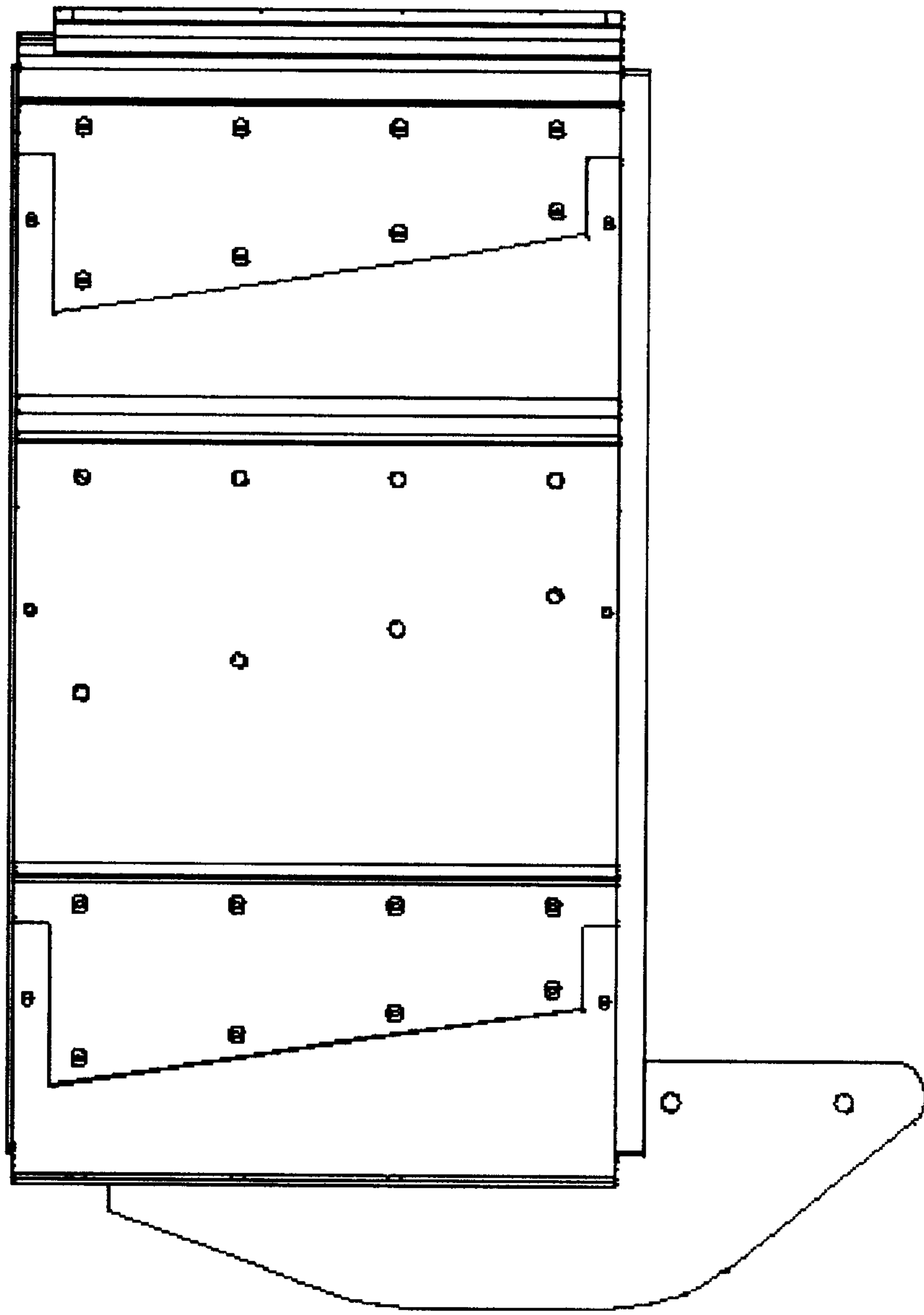


FIG. 3

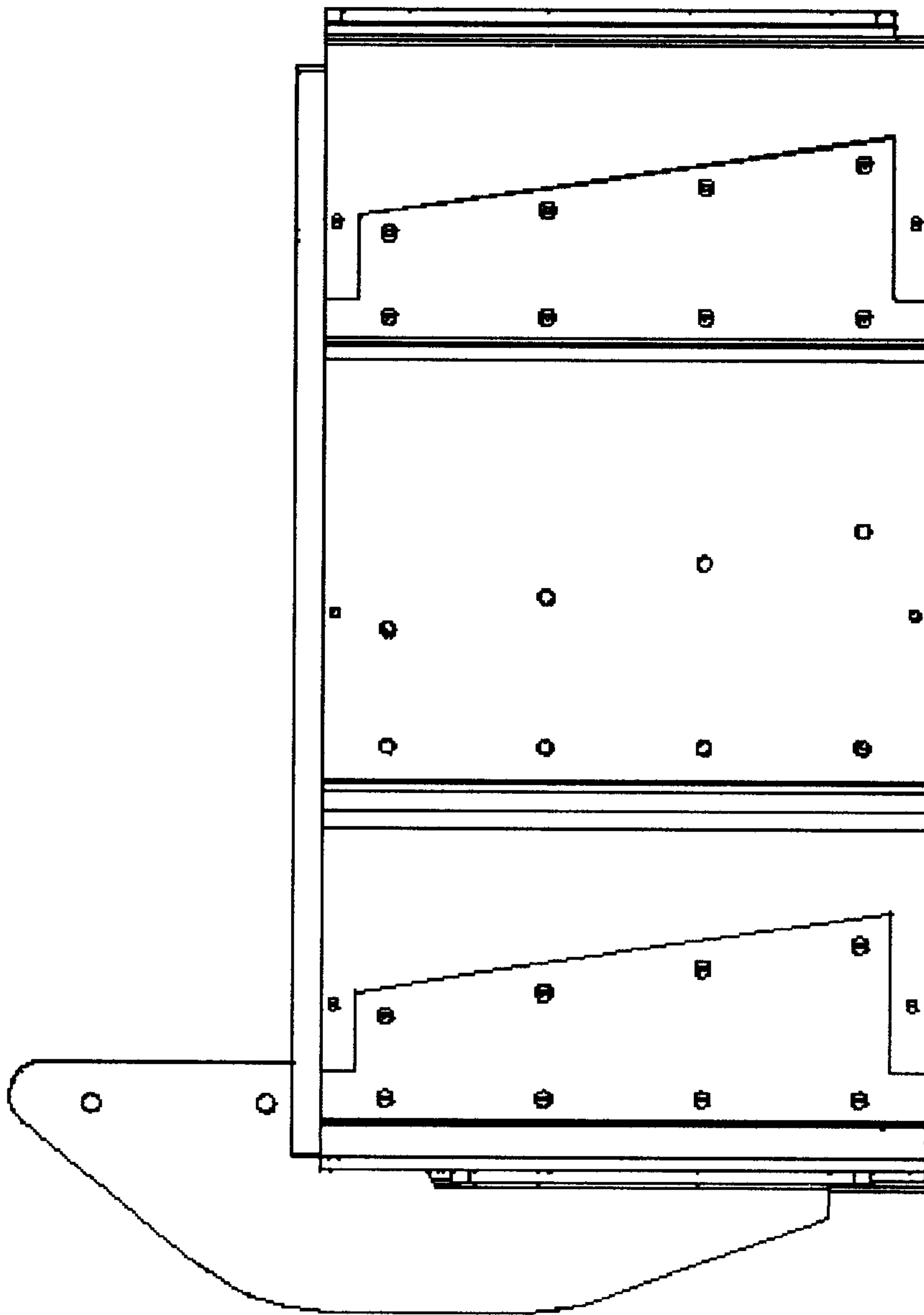


FIG. 4

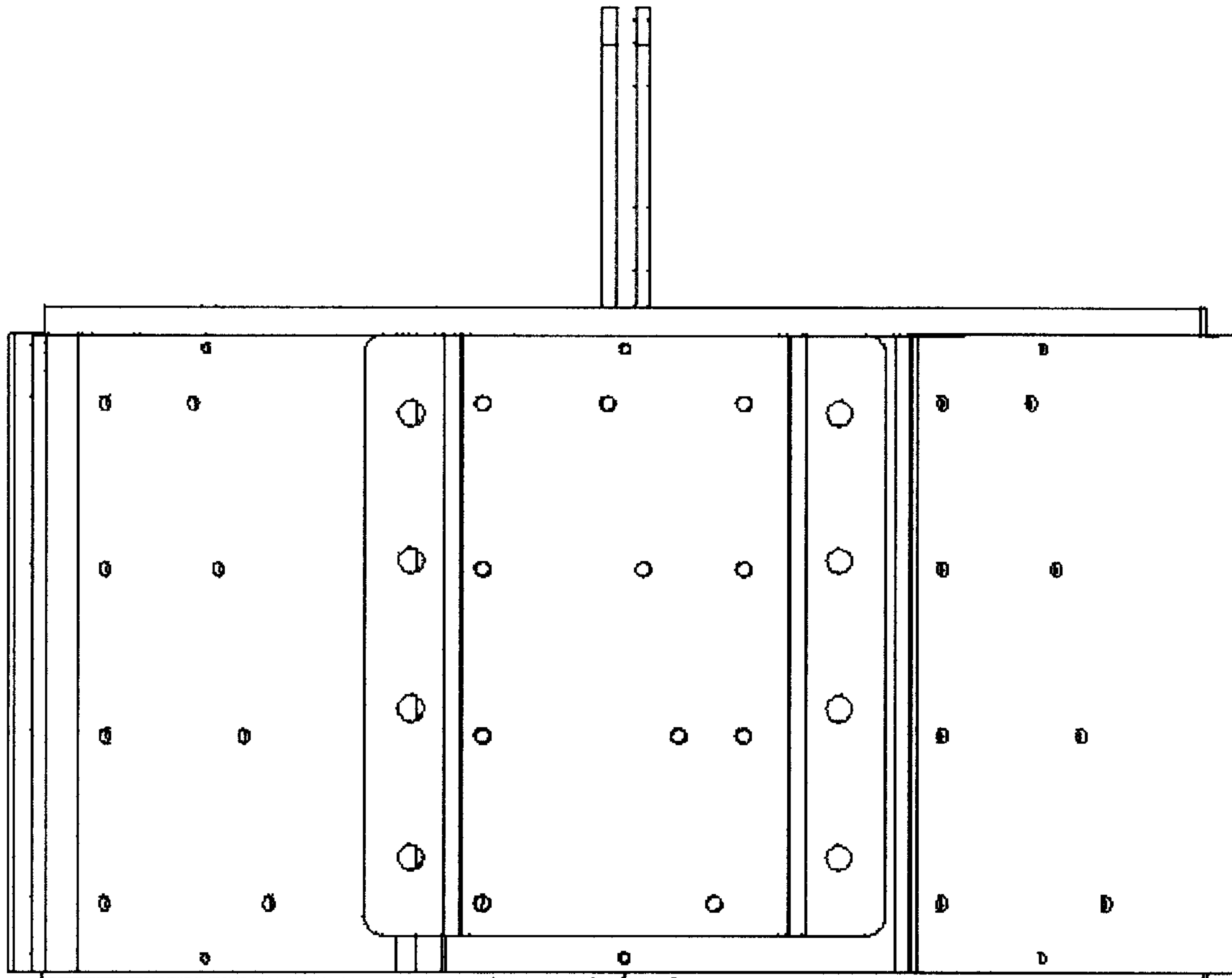


FIG. 5

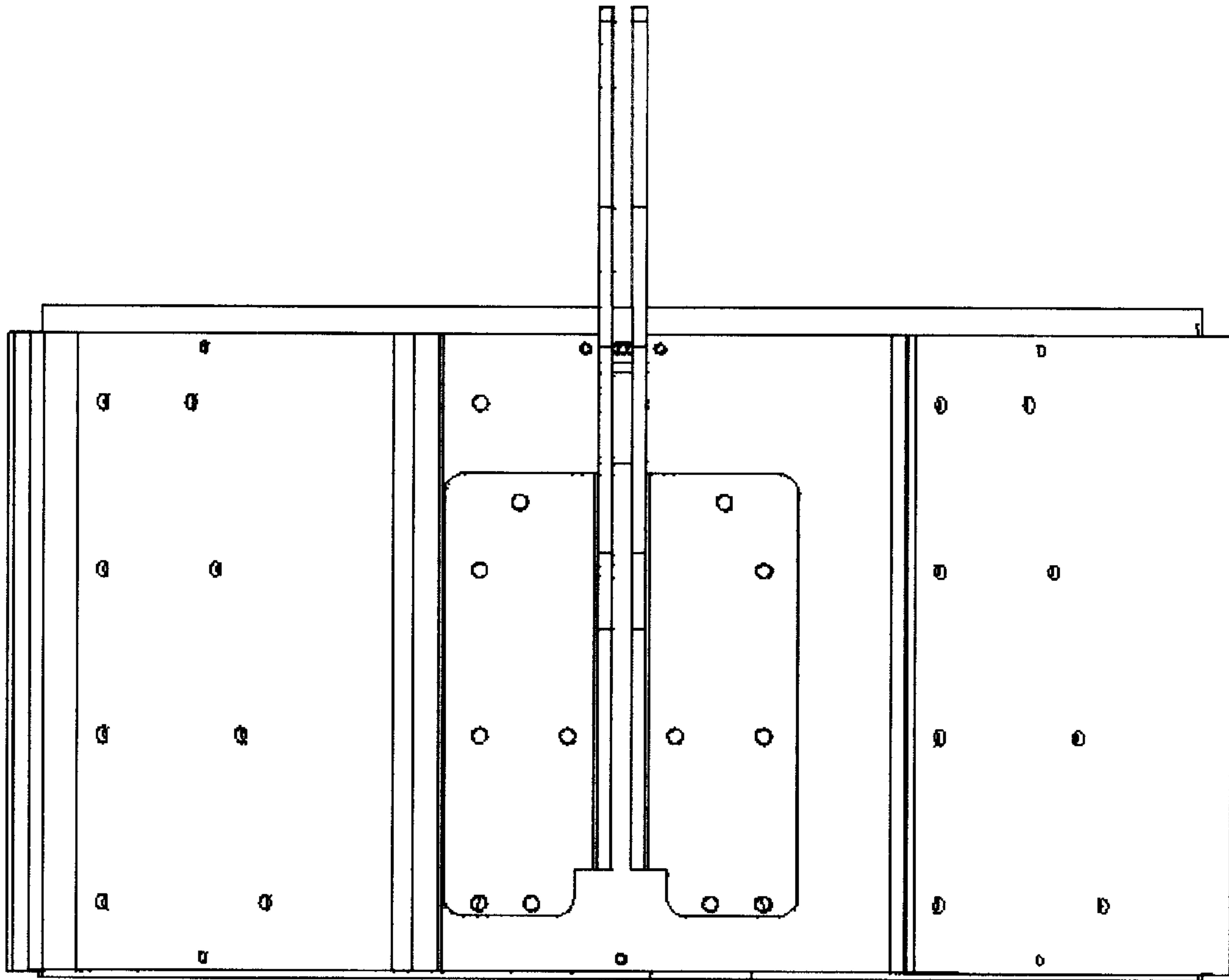


FIG. 6

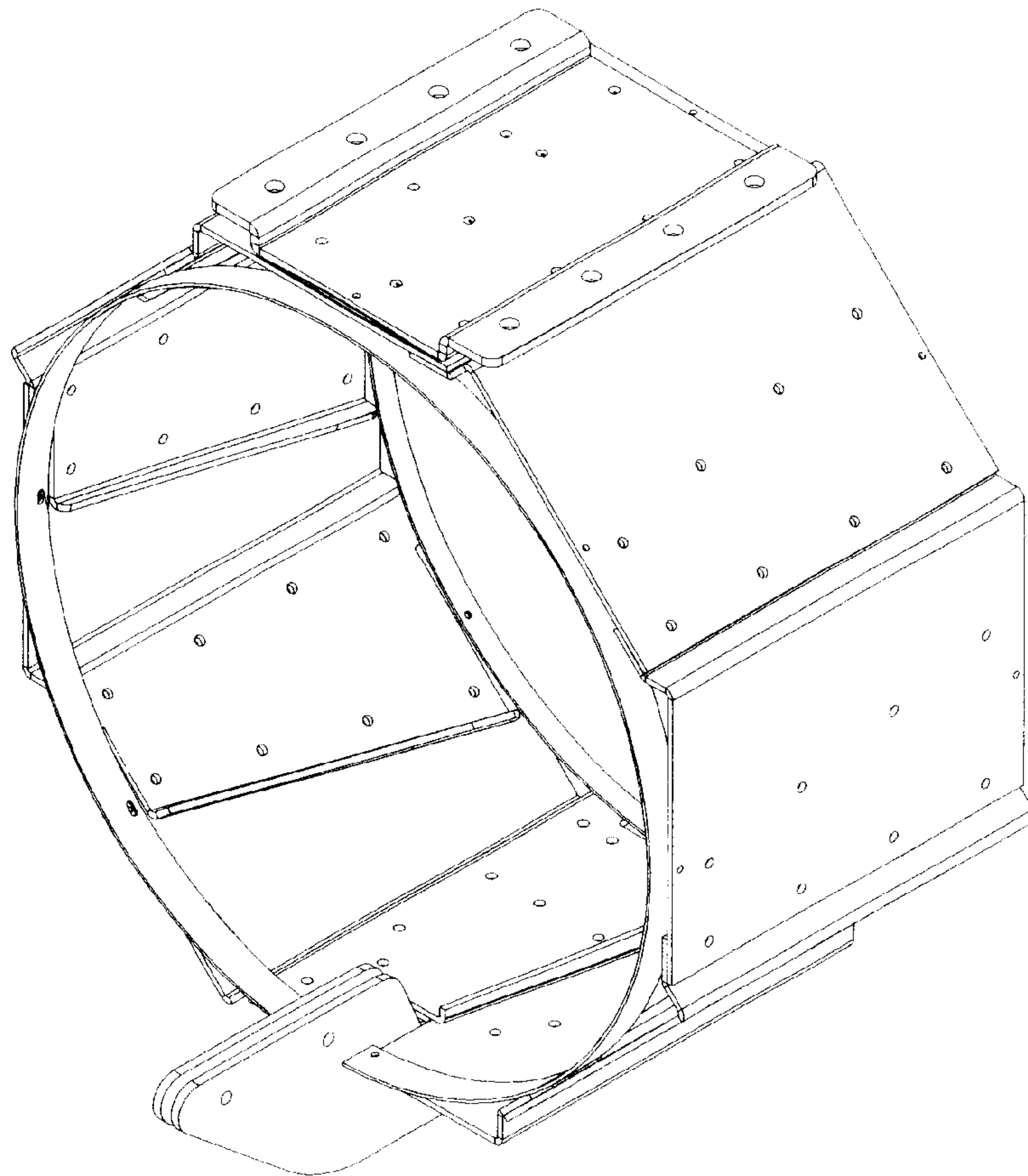


FIG. 7