



US00D537027S

(12) **United States Design Patent**
Hieke

(10) **Patent No.:** **US D537,027 S**

(45) **Date of Patent:** **** Feb. 20, 2007**

(54) **FRONT FACE OF A VEHICLE WHEEL**

(75) Inventor: **Claus Hieke**, Sindelfingen (DE)

(73) Assignee: **DaimlerChrysler AG**, Stuttgart (DE)

(**) Term: **14 Years**

(21) Appl. No.: **29/220,559**

(22) Filed: **Jan. 4, 2005**

(30) **Foreign Application Priority Data**

Jul. 7, 2004 (DE) 4 04 03 902

(51) **LOC (8) Cl.** **12-16**

(52) **U.S. Cl.** **D12/211**

(58) **Field of Classification Search** D12/204-213;
301/37.101, 64.101, 65

See application file for complete search history.

(56) **References Cited**

U.S. PATENT DOCUMENTS

D423,441 S	*	4/2000	Bildhaeuser	D12/209
D431,807 S	*	10/2000	Fitzgerald	D12/211
D432,970 S	*	10/2000	Pfeiffer et al.	D12/209
D452,838 S	*	1/2002	Hieke	D12/209
D454,530 S	*	3/2002	Hieke	D12/211
D454,825 S	*	3/2002	Amatino	D12/211
D458,208 S	*	6/2002	Hartl	D12/211

D461,756 S	*	8/2002	Hieke	D12/211
D462,309 S	*	9/2002	Hieke	D12/211
D480,037 S	*	9/2003	Takechi	D12/211
D500,724 S	*	1/2005	Hong	D12/211
D502,680 S	*	3/2005	Frizzi	D12/211
D514,495 S	*	2/2006	Hieke	D12/211

* cited by examiner

Primary Examiner—Stacia Cadmus

(74) *Attorney, Agent, or Firm*—Crowell & Moring LLP

(57) **CLAIM**

The ornamental design for a front face of a vehicle wheel, as shown and described.

DESCRIPTION

FIG. 1 is a front view of a first embodiment of a front face of a vehicle wheel according to my novel design;

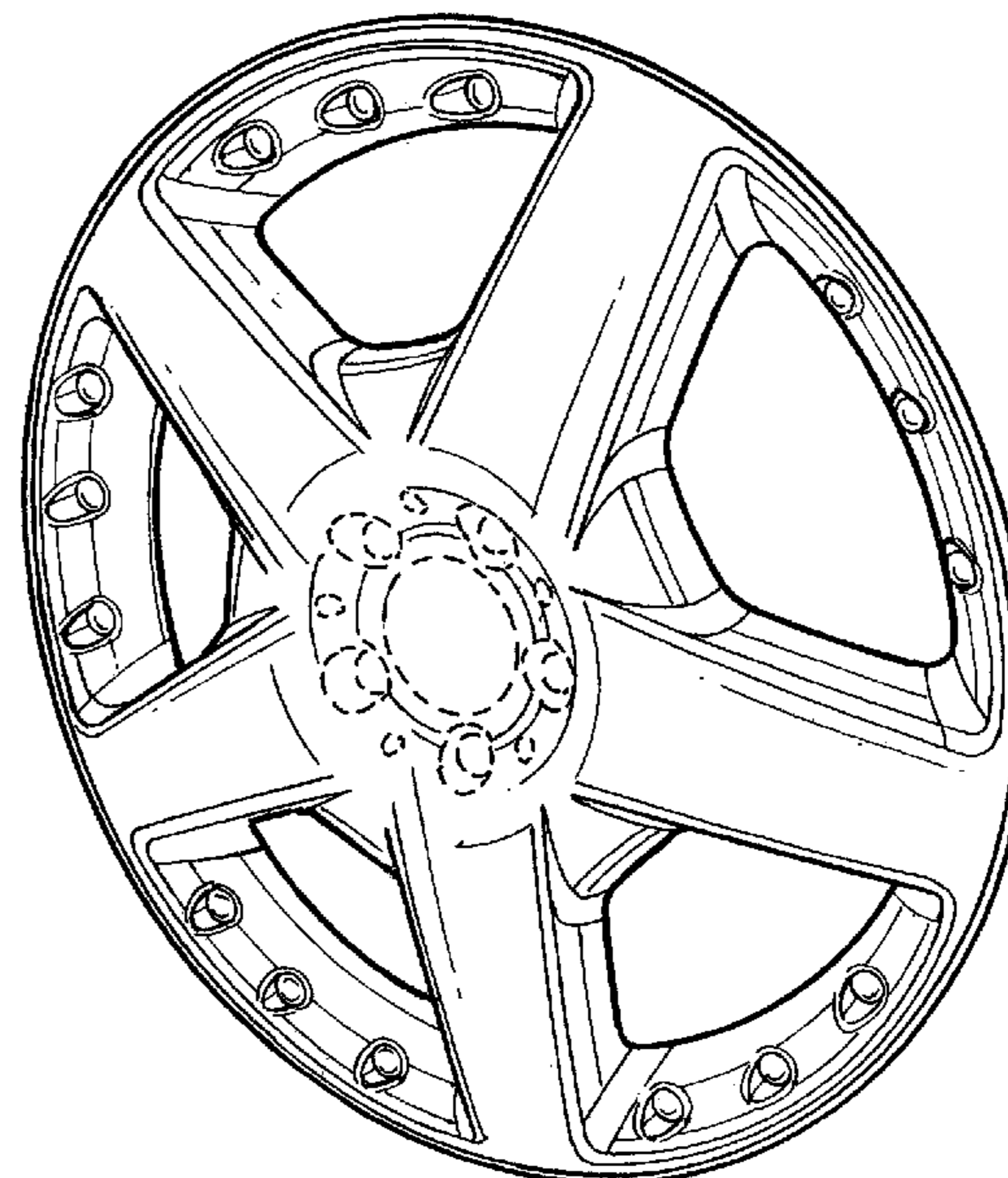
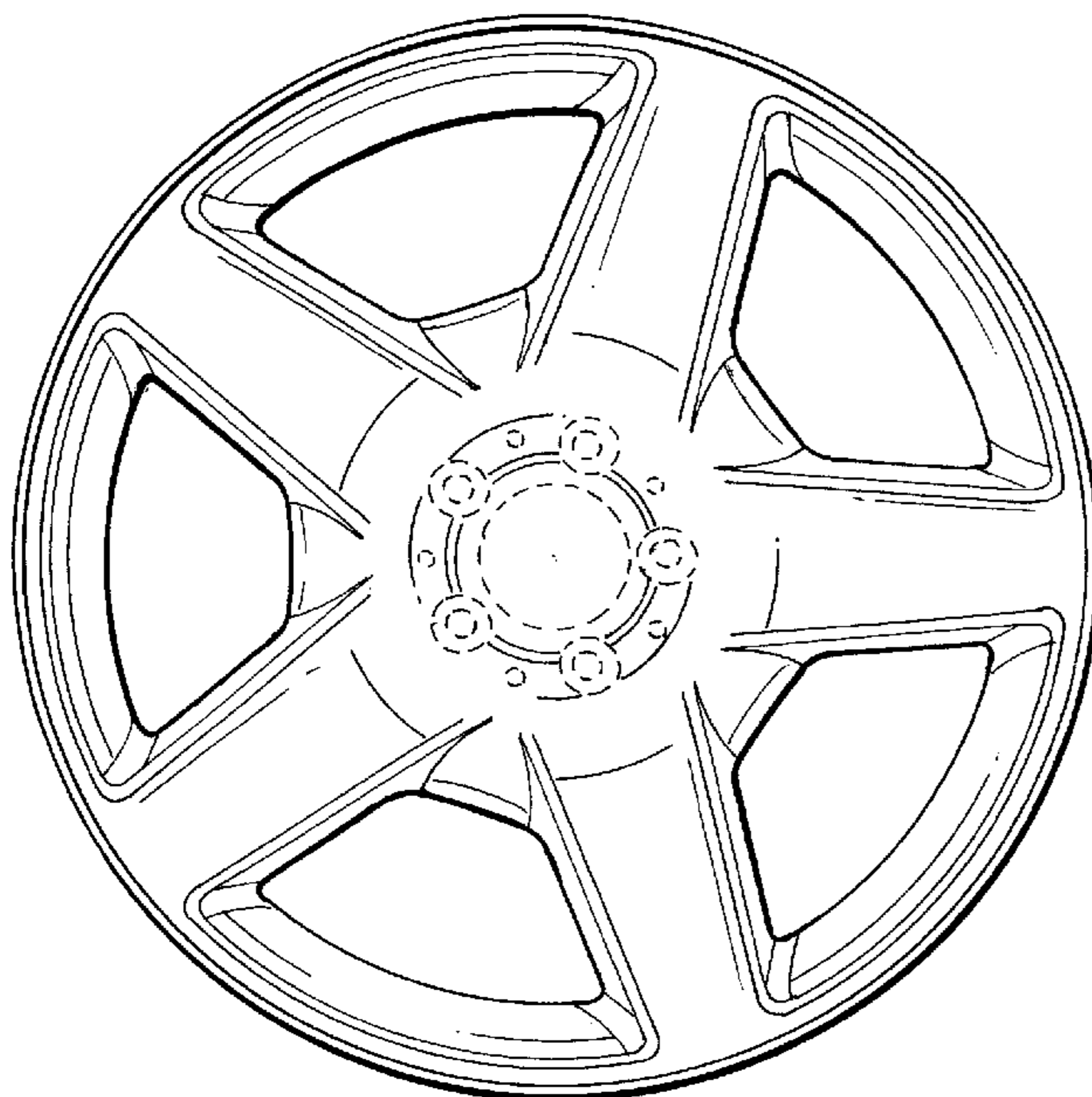
FIG. 2 is a perspective view of the first embodiment of the front face of a vehicle wheel according to my novel design;

FIG. 3 is a front view of a second embodiment of the front face of a vehicle wheel according to my novel design; and,

FIG. 4 is a perspective view of the second embodiment of the front face of a vehicle wheel according to my novel design.

The broken lines are for illustrative purposes only and form no part of the claimed design.

1 Claim, 2 Drawing Sheets



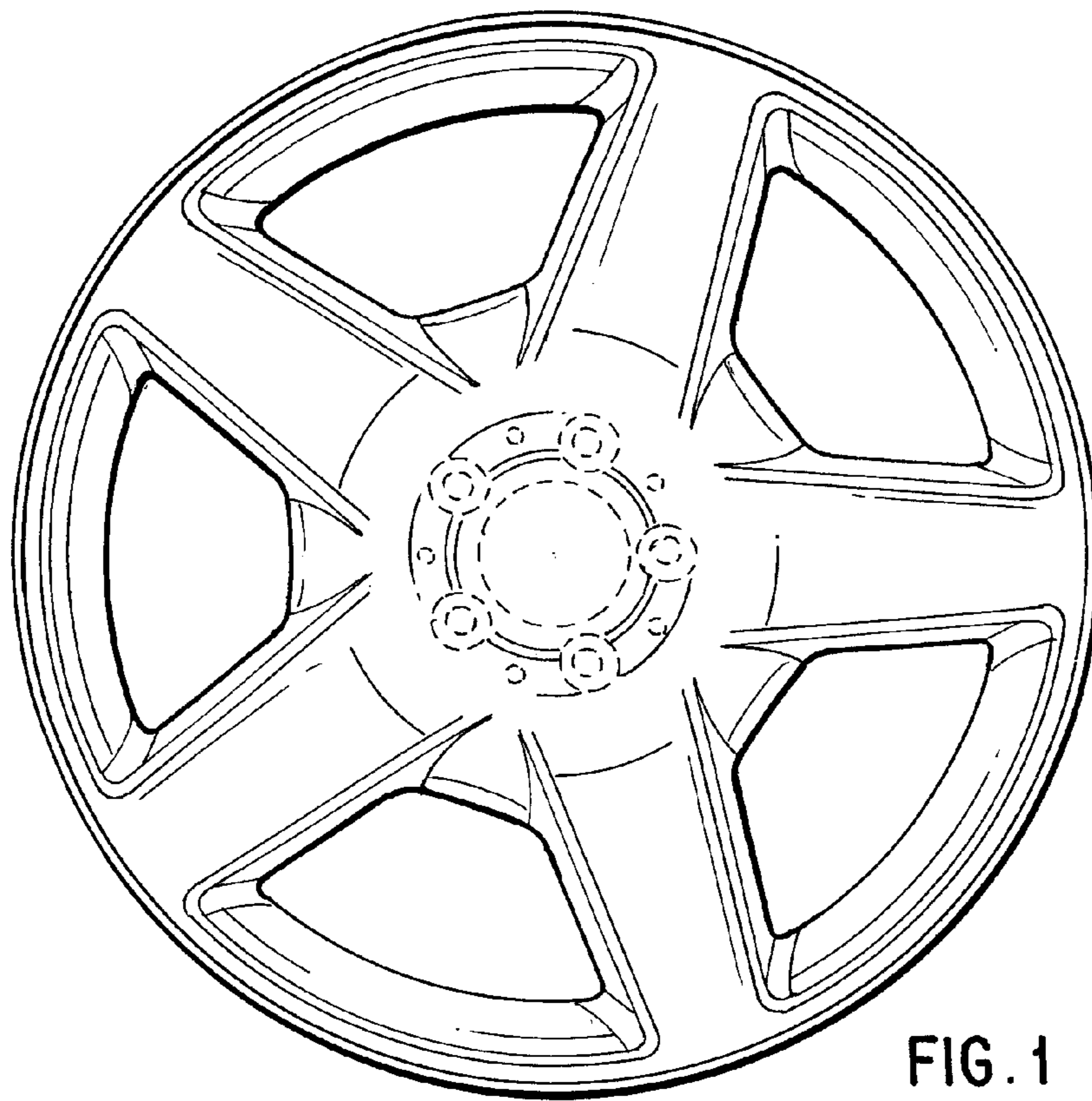


FIG. 1

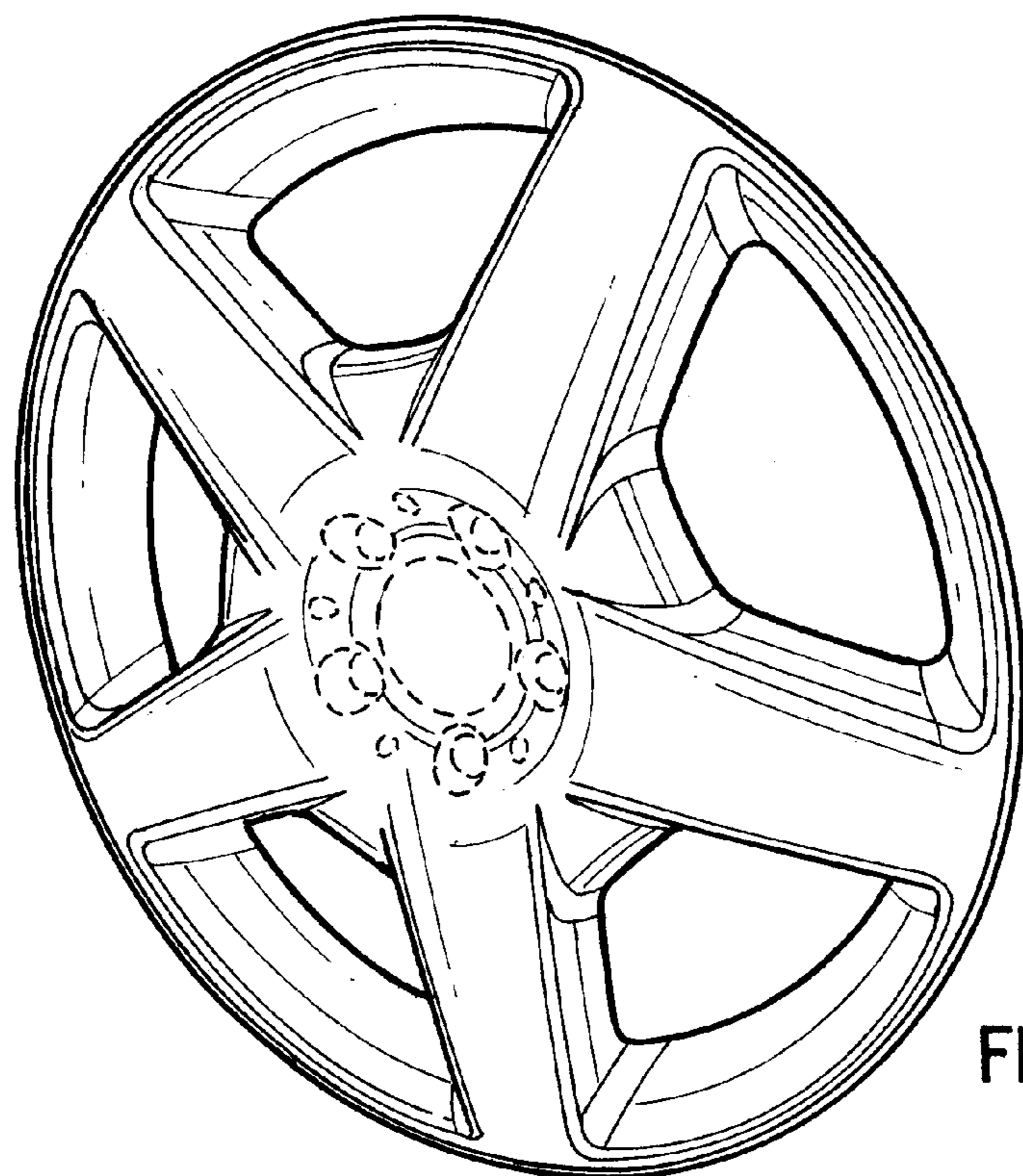


FIG. 2

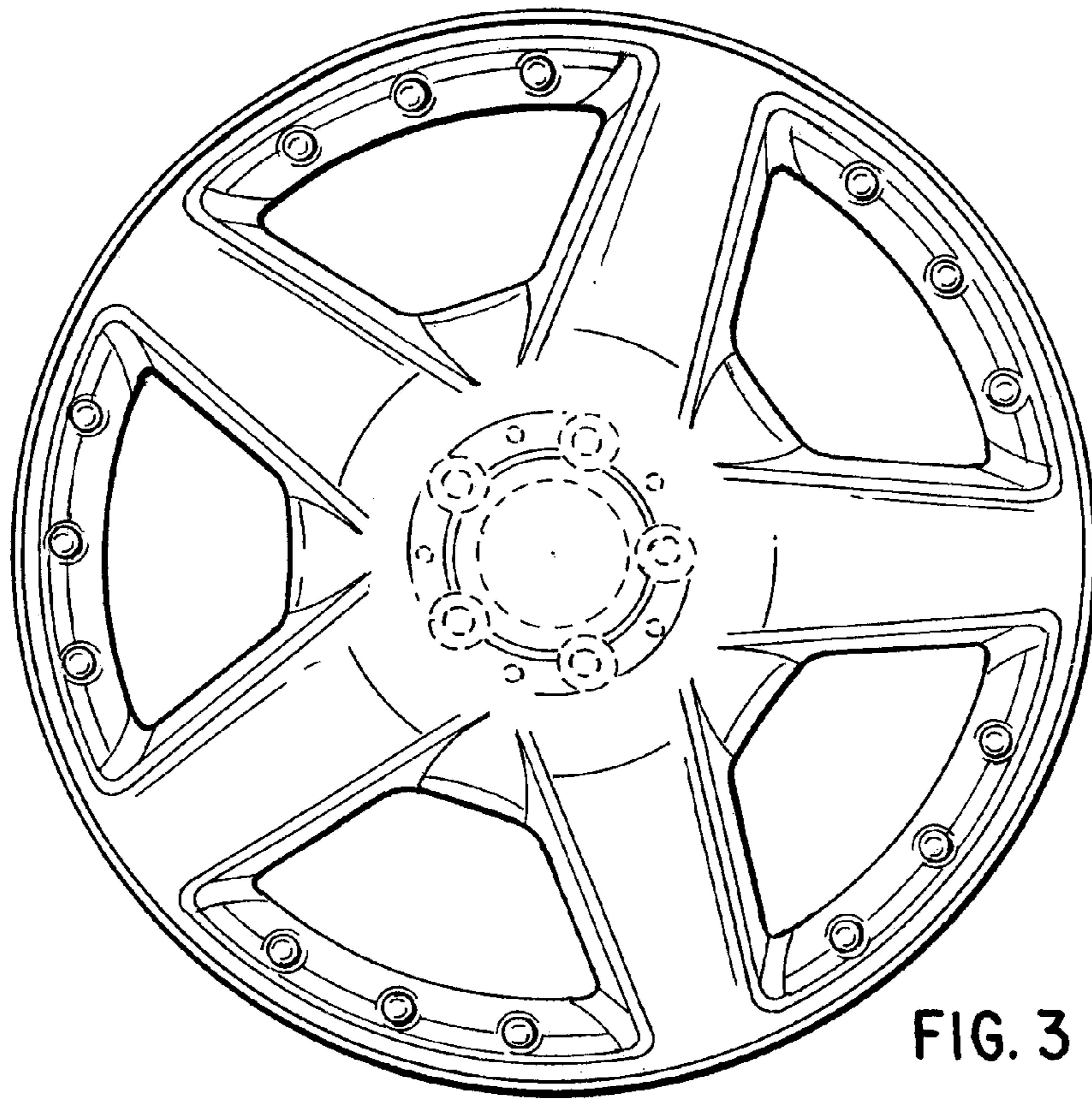


FIG. 3

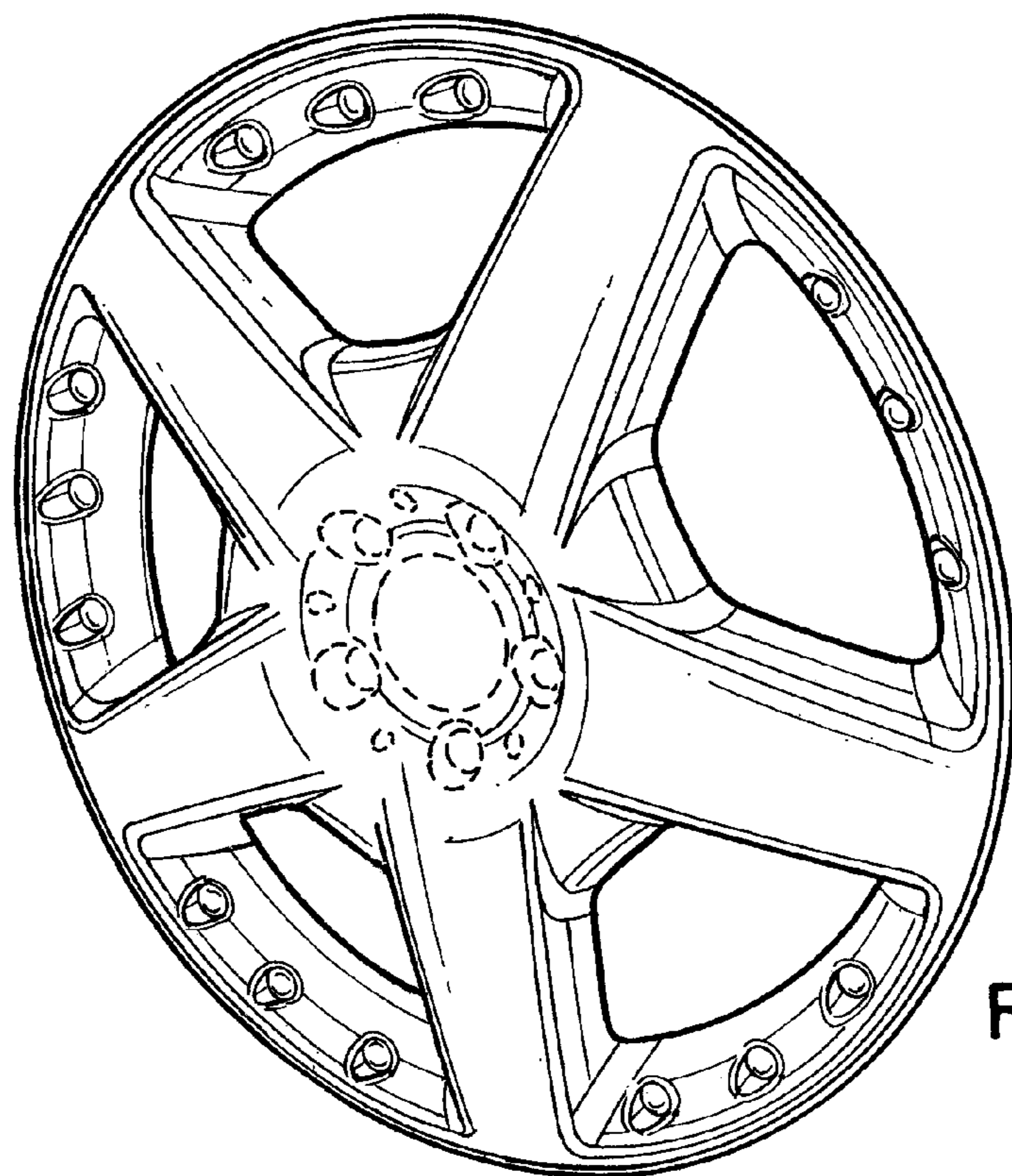


FIG. 4