



US00D537026S

(12) **United States Design Patent**
Nordmann

(10) **Patent No.:** **US D537,026 S**

(45) **Date of Patent:** **** Feb. 20, 2007**

(54) **FRONT FACE OF A VEHICLE WHEEL**

(75) Inventor: **Christoph Nordmann**, Munich (DE)

(73) Assignee: **Bayerische Motoren Werke
Aktiengesellschaft**, Munich (DE)

(**) Term: **14 Years**

(21) Appl. No.: **29/244,830**

(22) Filed: **Dec. 15, 2005**

(30) **Foreign Application Priority Data**

Jun. 16, 2005 (DE) 4 05 03 085

(51) **LOC (8) Cl.** **12-16**

(52) **U.S. Cl.** **D12/209**

(58) **Field of Classification Search** D12/204-213;
301/37.101, 64.101, 65

See application file for complete search history.

(56) **References Cited**

U.S. PATENT DOCUMENTS

D441,339 S * 5/2001 Hussaini et al. D12/211

D492,235 S * 6/2004 Nordmann D12/211
D504,647 S * 5/2005 Leclercq D12/209
D507,224 S * 7/2005 Pfeiffer D12/211
D520,434 S * 5/2006 Fahr-Becker D12/211
D522,430 S * 6/2006 Nordmann D12/209
D525,184 S * 7/2006 Huet D12/211

* cited by examiner

Primary Examiner—Stacia Cadmus

(74) *Attorney, Agent, or Firm*—Crowell & Moring LLP

(57) **CLAIM**

The ornamental design for a front face of a vehicle wheel,
as shown and described.

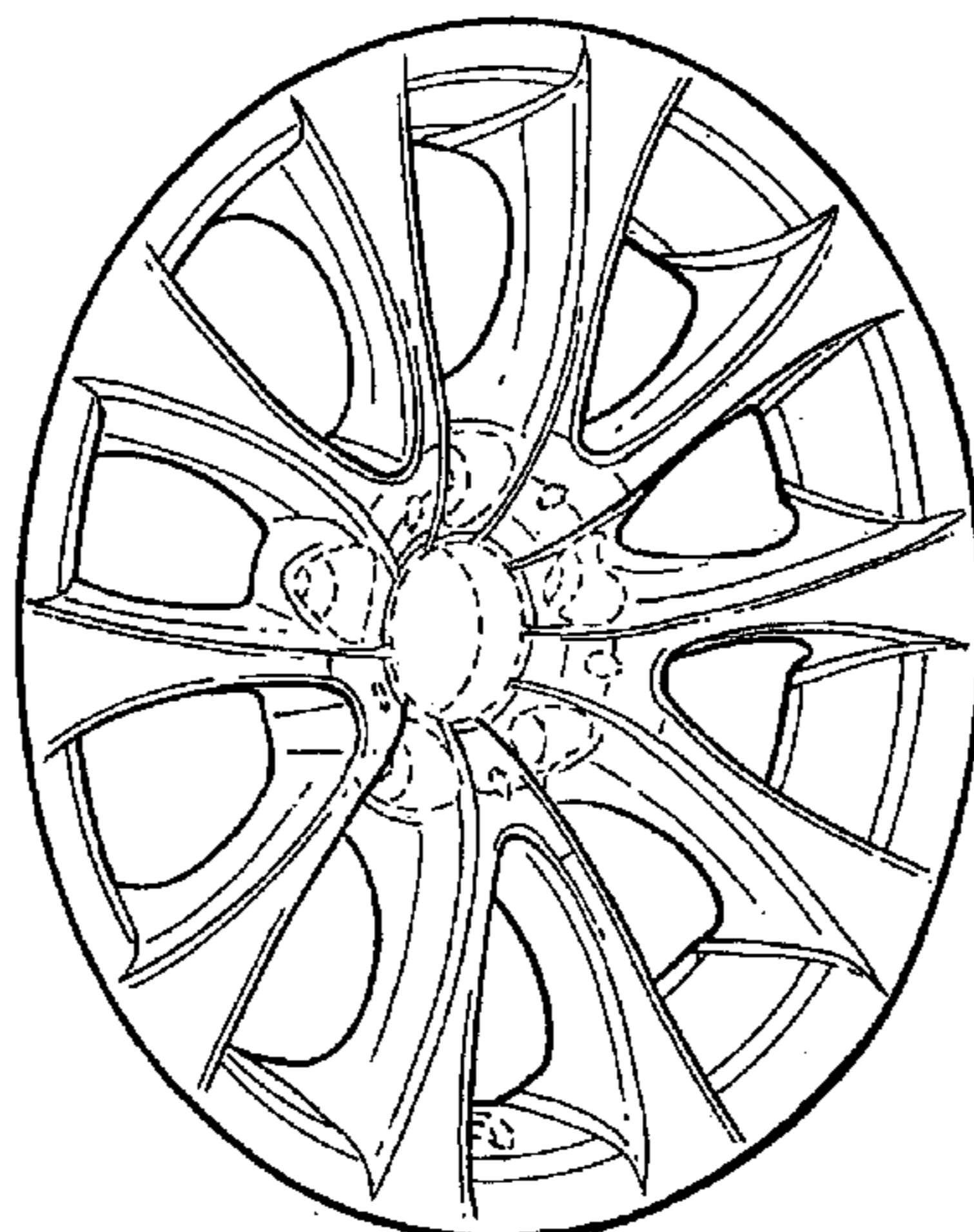
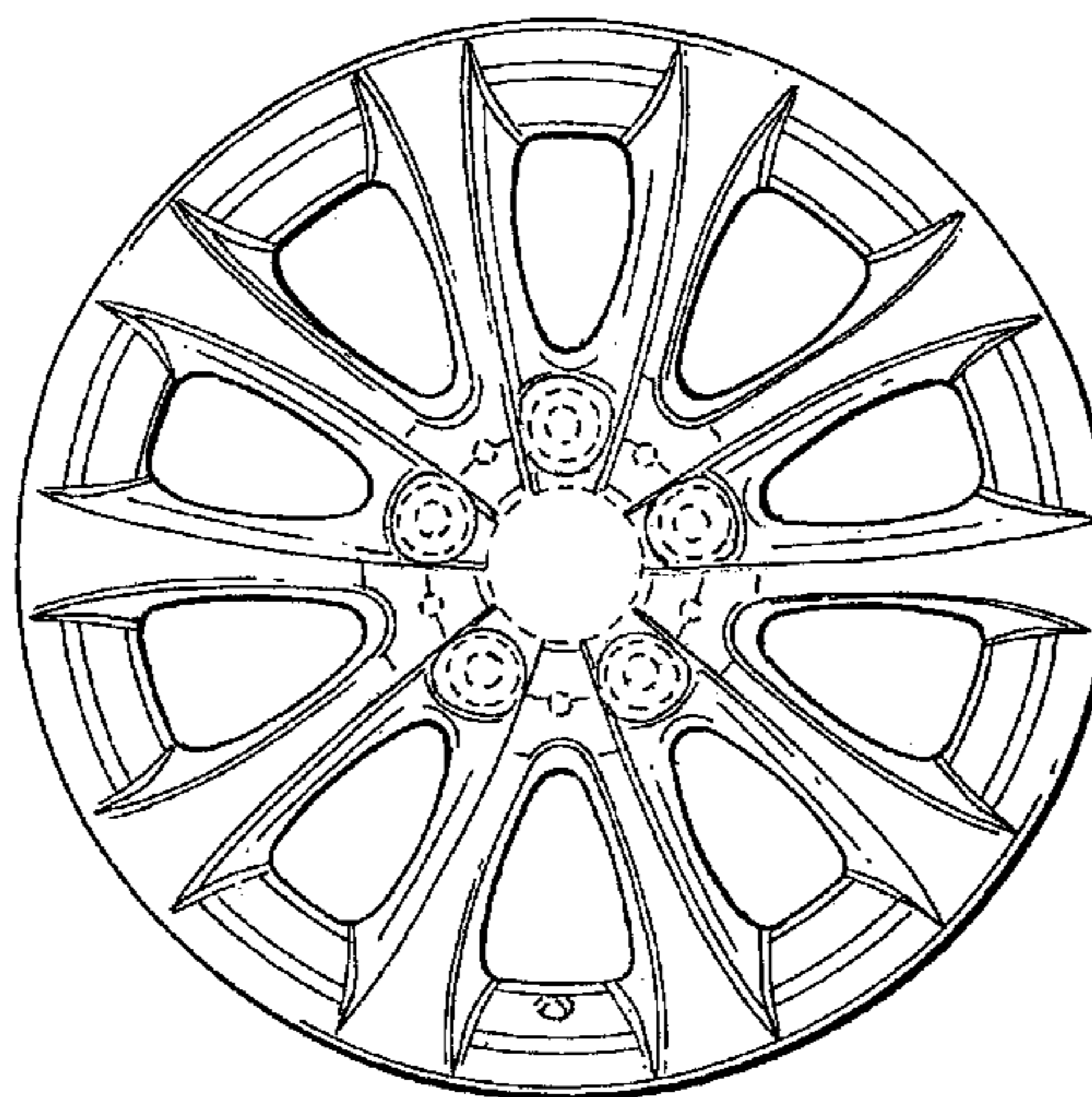
DESCRIPTION

FIG. 1 is a front view of a front face of a vehicle wheel
according to my novel design; and,

FIG. 2 is a perspective view thereof.

The broken lines are for illustrative purposes only and form
no part of the claimed design.

1 Claim, 1 Drawing Sheet



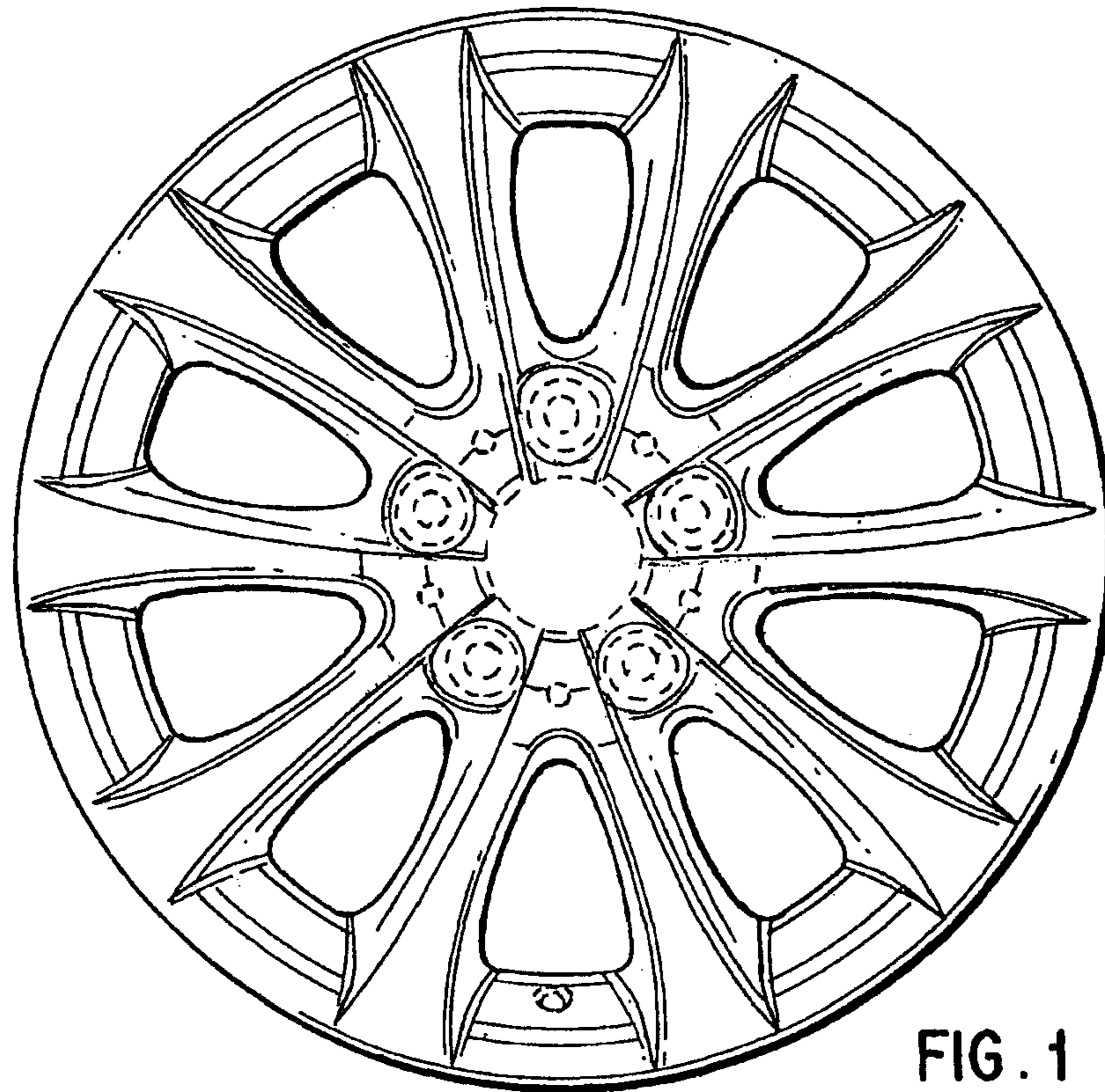


FIG. 1

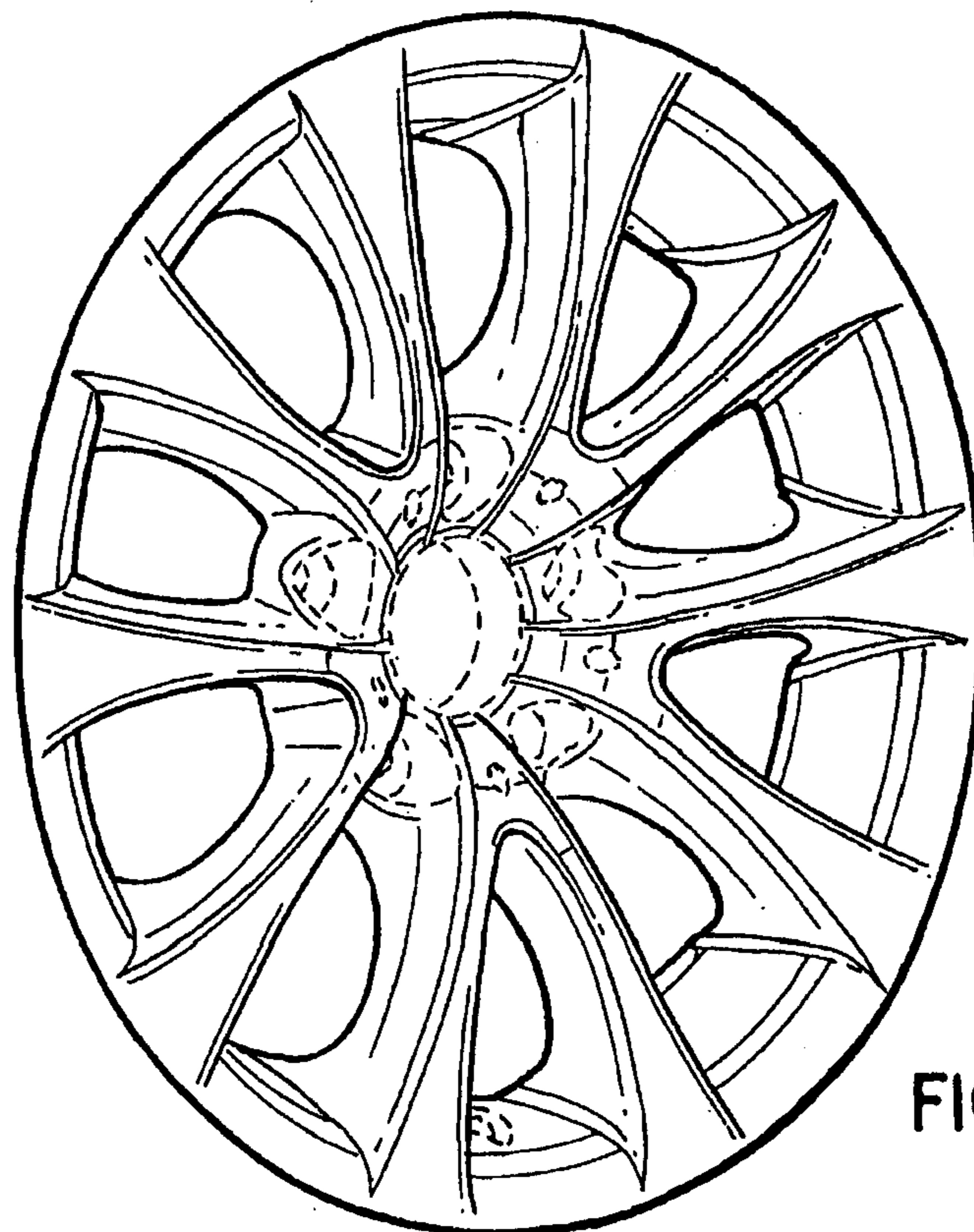


FIG. 2