

US00D537024S

(12) **United States Design Patent**  
**Shibuta et al.**

(10) **Patent No.:** **US D537,024 S**

(45) **Date of Patent:** **\*\* Feb. 20, 2007**

(54) **FUEL TANK CAP FOR A VEHICLE**

(75) Inventors: **Yu Shibuta**, Kakogawa (JP); **Shunji Tanaka**, Kobe (JP)

(73) Assignee: **Kawasaki Jukogyo Kabushiki Kaisha**, Hyogo (JP)

(\*\*) Term: **14 Years**

(21) Appl. No.: **29/243,779**

(22) Filed: **Nov. 29, 2005**

(30) **Foreign Application Priority Data**

Jun. 17, 2005 (JP) ..... 2005-017663

(51) **LOC (8) Cl.** ..... **12-16**

(52) **U.S. Cl.** ..... **D12/197**

(58) **Field of Classification Search** ..... D12/197,  
D12/110, 114, 198, 218, 201; D7/398, 598,  
D7/619; D8/107-108, 310-312; D9/443-444,  
D9/451-454, 435, 201; 220/235, 288, 86.1-86.3,  
220/12, 32-33, 203.4, DIG. 5, DIG. 12, 200,  
220/304, DIG. 33; 411/349, 553, 411, 300;  
280/830, 833, 835; D23/260; D15/150; 137/592;  
141/383, 312, 301; 251/129.03; 70/423  
See application file for complete search history.

(56) **References Cited**

**U.S. PATENT DOCUMENTS**

D400,838 S \* 11/1998 Stahel ..... D12/197

D425,004 S \* 5/2000 Bonvicin ..... D12/197  
D455,107 S \* 4/2002 Zimmerman ..... D12/197  
D477,554 S \* 7/2003 Keefer et al. .... D12/197  
D506,426 S \* 6/2005 Quast ..... D12/197  
D508,225 S \* 8/2005 Scheepers et al. .... D12/197

\* cited by examiner

*Primary Examiner*—Stacia Cadmus

(57) **CLAIM**

The ornamental design for a fuel tank cap for a vehicle, as shown and described.

**DESCRIPTION**

FIG. 1 is a front elevational view of a fuel tank cap for a vehicle showing our new design;  
FIG. 2 is a rear elevational view thereof;  
FIG. 3 is a left side elevational view thereof;  
FIG. 4 is a right side elevational view thereof;  
FIG. 5 is a top plan view thereof;  
FIG. 6 is a bottom plan view thereof; and,  
FIG. 7 is a perspective view thereof.

The broken line is for illustrative purposes only and forms no part of the claimed design.

The portion encompassed by a solid line showing a fuel tank cap is the design sought to be patented.

**1 Claim, 3 Drawing Sheets**

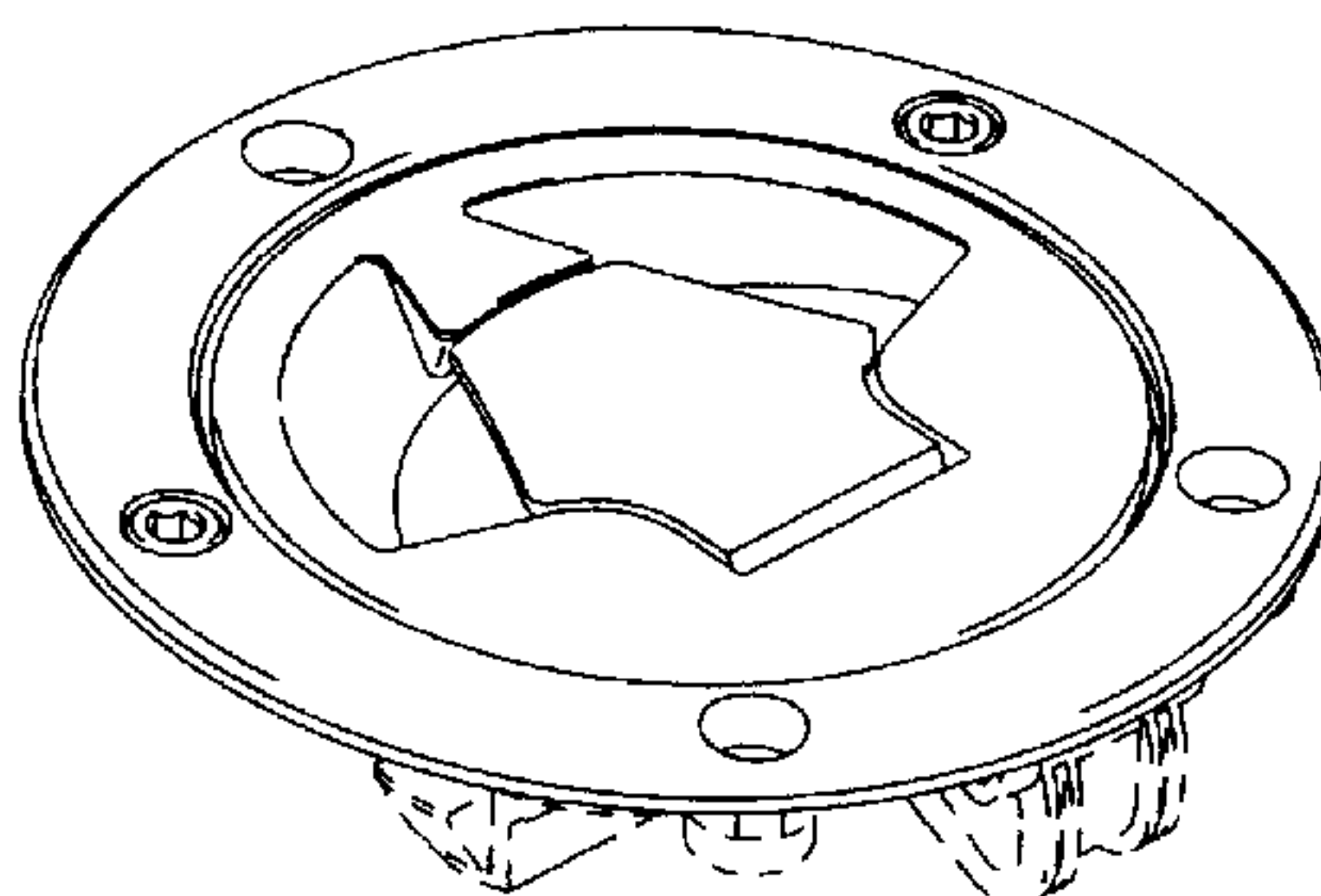
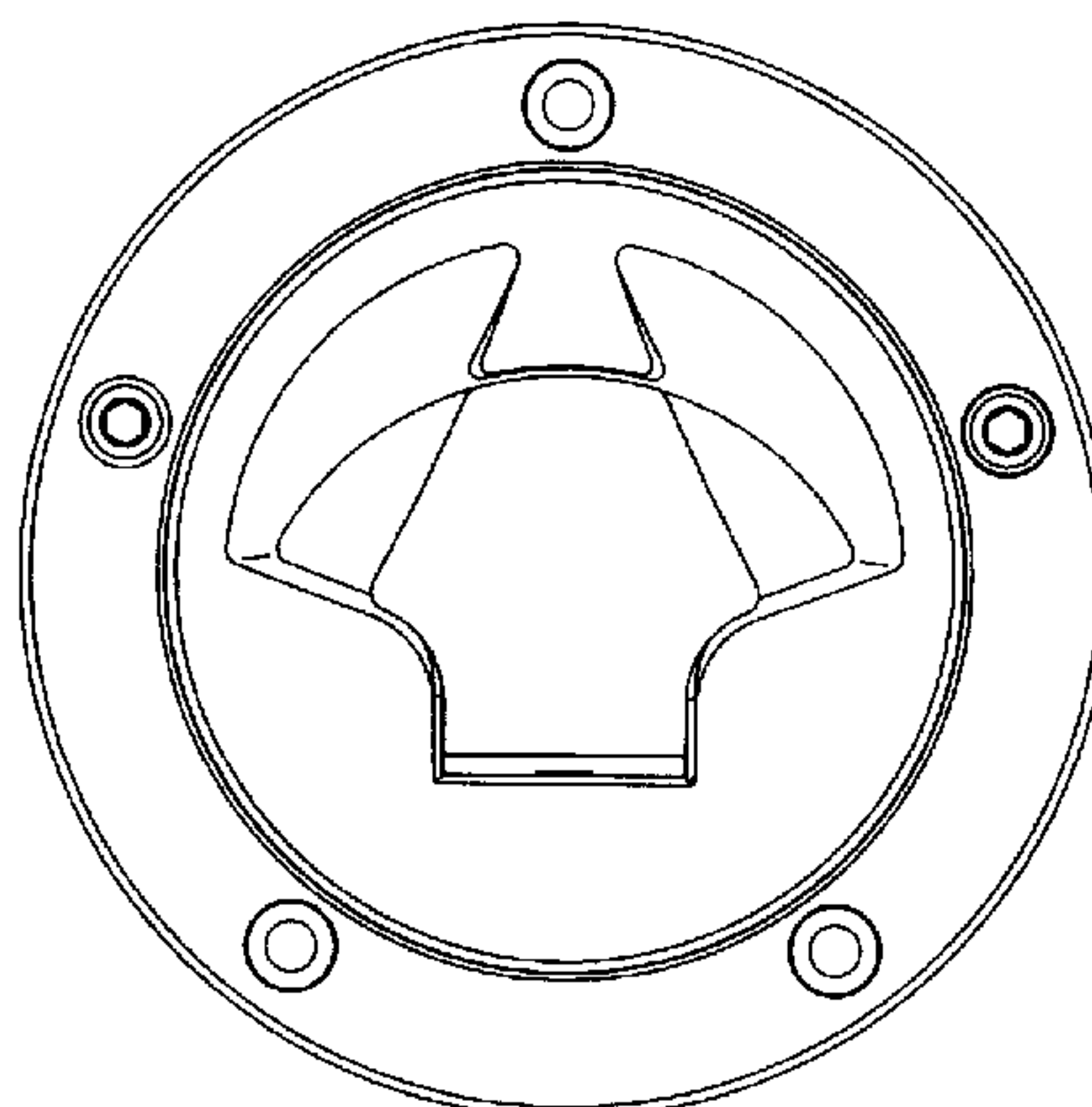


Fig. 1

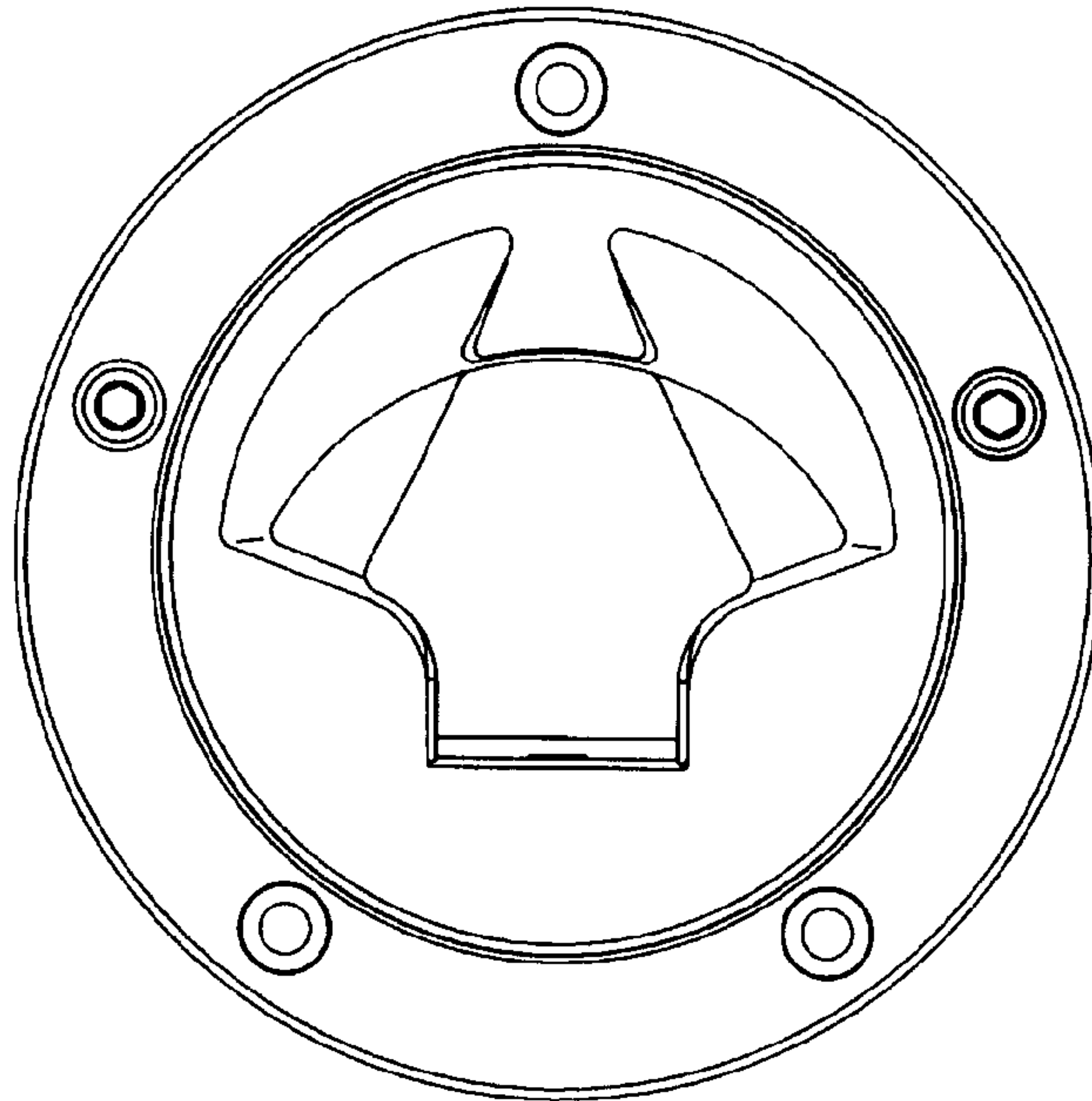


Fig. 2

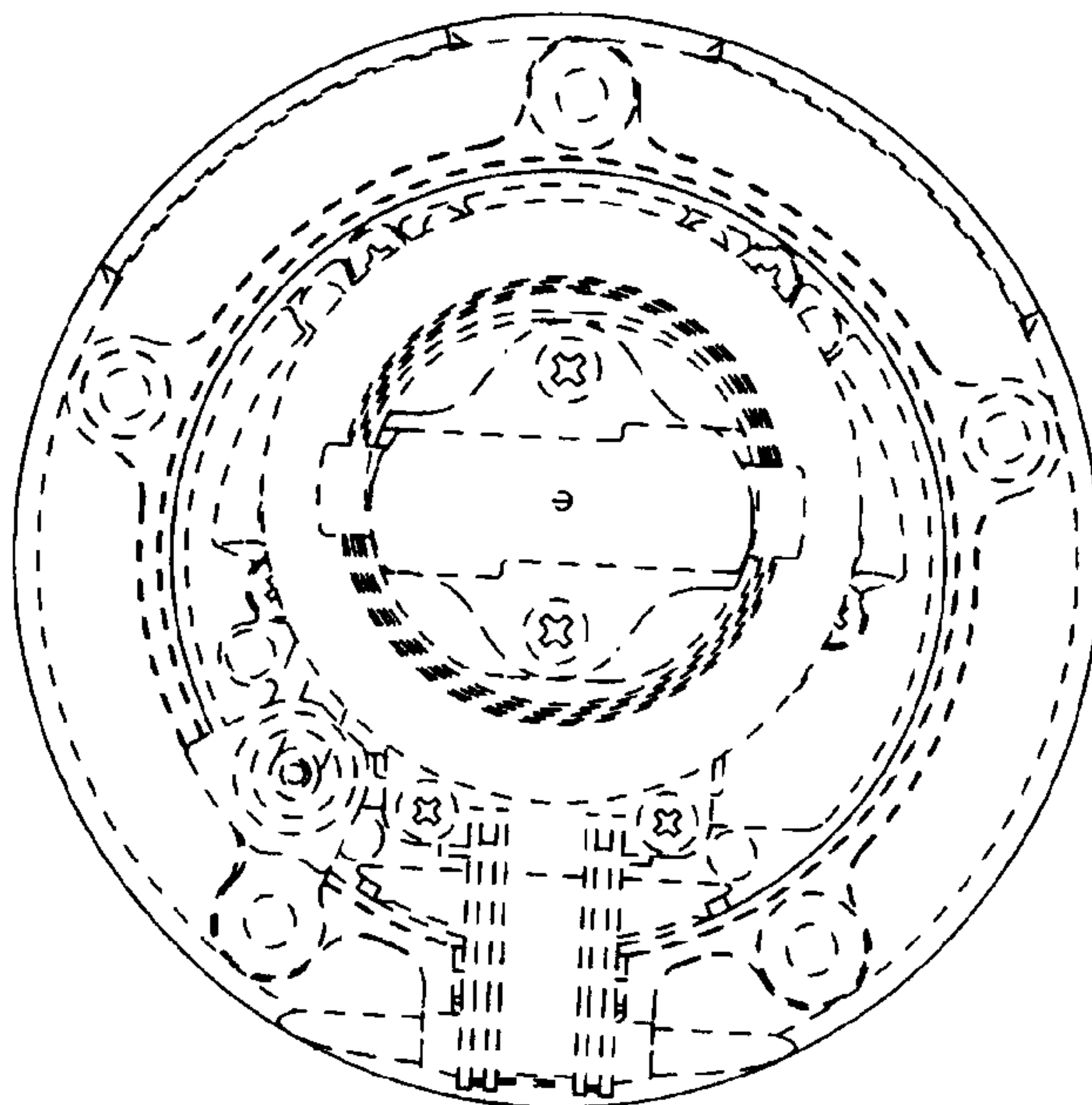


Fig. 3

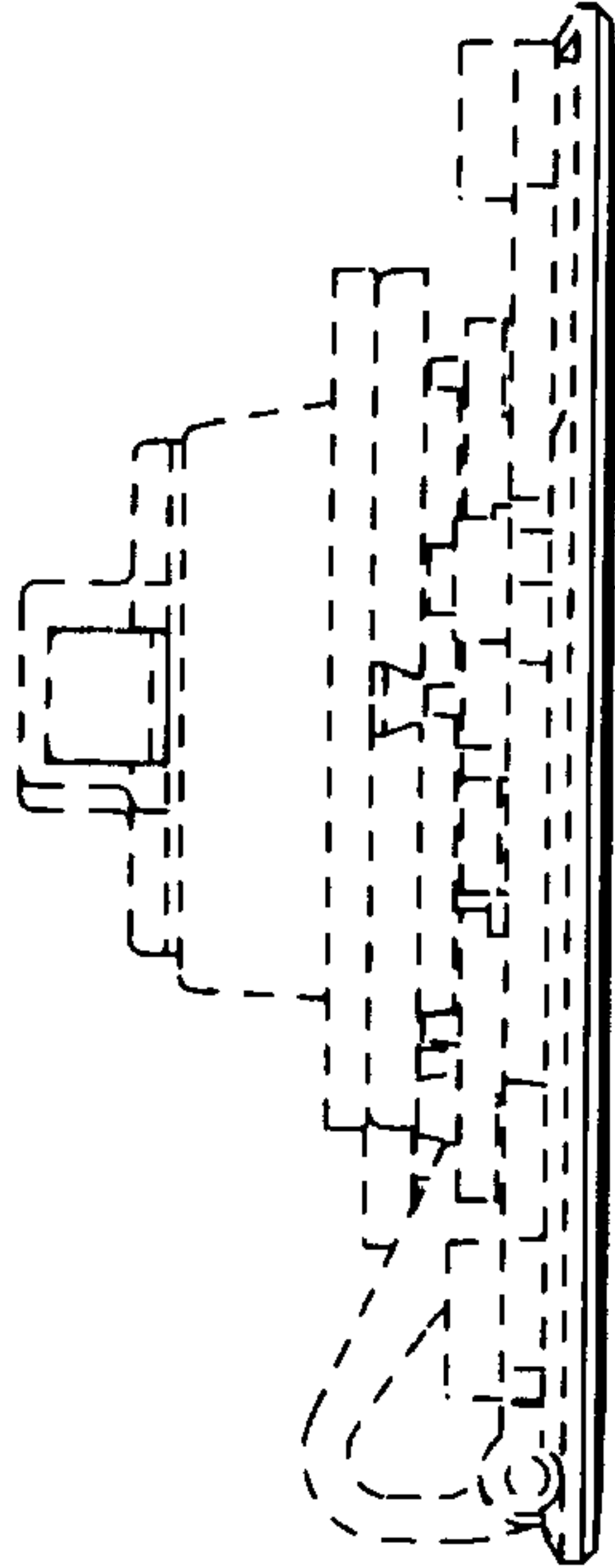


Fig. 4

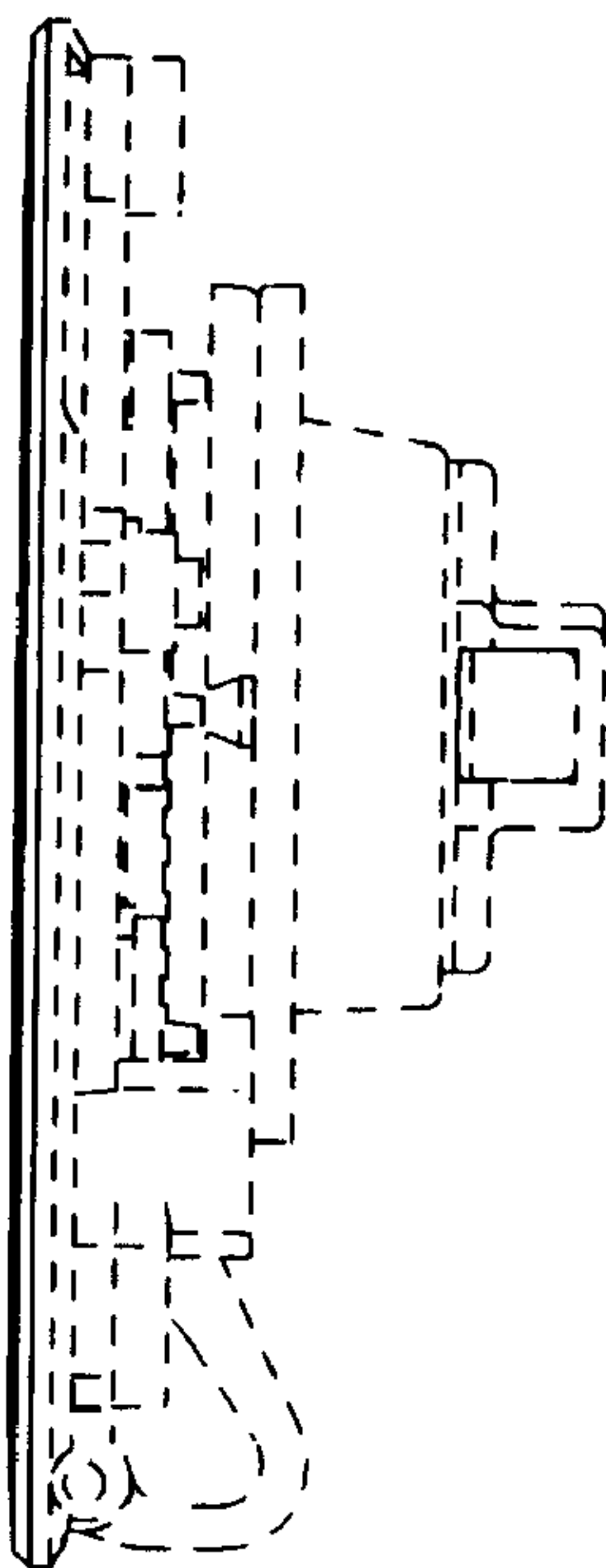


Fig. 5

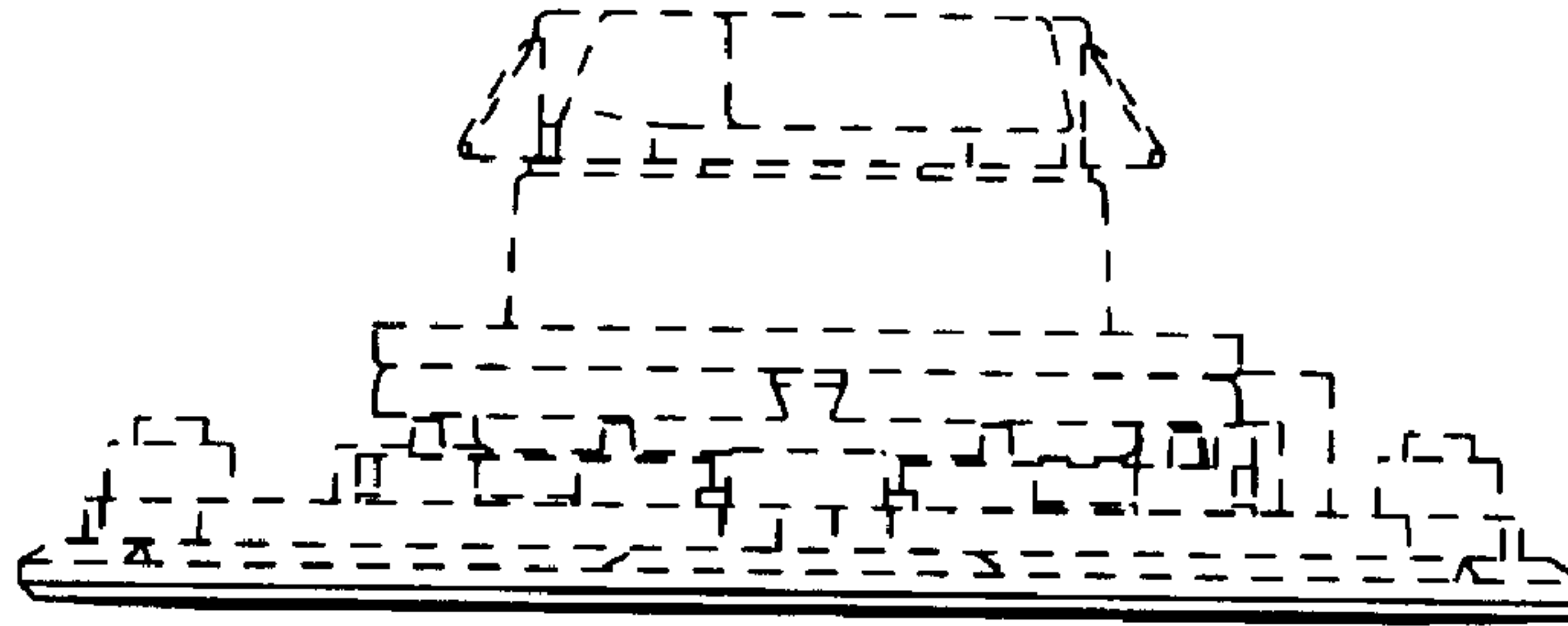


Fig. 6

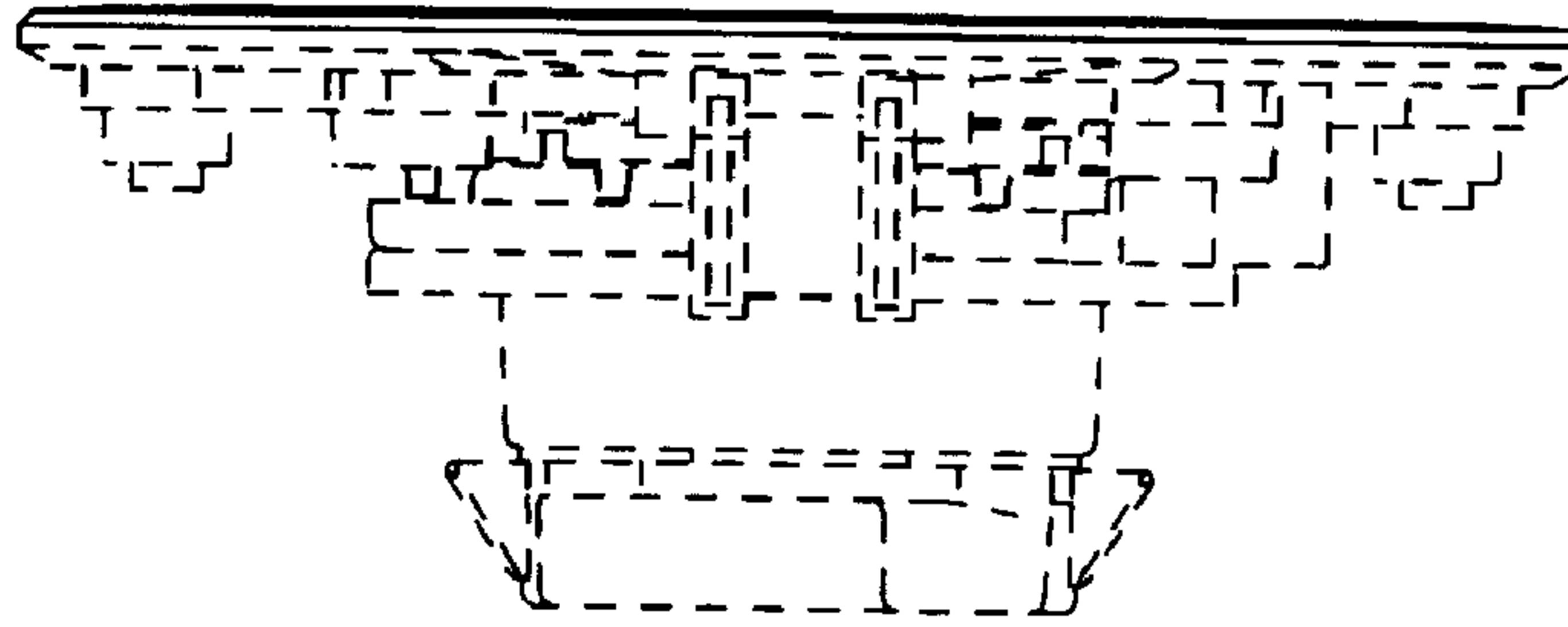


Fig. 7

