



US00D537017S

(12) **United States Design Patent**
MacCarrone et al.

(10) **Patent No.:** **US D537,017 S**
(45) **Date of Patent:** **** Feb. 20, 2007**

(54) **BICYCLE WITHOUT SEAT**

D477,549 S * 7/2003 Wu D12/111
6,619,682 B1 * 9/2003 Carr et al. 280/253

(76) Inventors: **Paolo MacCarrone**, Via Balbis, 23/F,
Torino (IT), I-10144; **Guido**
MacCarrone, Via Balbis, 23/F, Torino
(IT), I-10144; **Alberto Clara**, Via
Balbis, 23/F, Torino (IT), I-10144

* cited by examiner

Primary Examiner—Alan P. Douglas
Assistant Examiner—Linda Brooks
(74) *Attorney, Agent, or Firm*—Merchant & Gould P.C.

(**) **Term:** **14 Years**

(21) **Appl. No.:** **29/233,824**

(22) **Filed:** **Jul. 8, 2005**

(30) **Foreign Application Priority Data**

Jan. 10, 2005 (EM) 000281563-0002

(51) **LOC (8) Cl.** **12-11**

(52) **U.S. Cl.** **D12/111**

(58) **Field of Classification Search** D12/110,
D12/111; D21/423, 432, 663; 280/14.28,
280/200, 220, 221, 251–253, 255, 256, 258–261,
280/87.041, 274–288, 288.1–288.3, 11.115,
280/281.1

See application file for complete search history.

(56) **References Cited**

U.S. PATENT DOCUMENTS

4,379,566 A * 4/1983 Titcomb 280/251

(57) **CLAIM**

The ornamental design for a bicycle without seat, as shown and described.

DESCRIPTION

FIG. 1 is a front perspective view of a bicycle without seat in accordance with our invention thereof;

FIG. 2 is a rear perspective view thereof;

FIG. 3 is a top elevational view thereof;

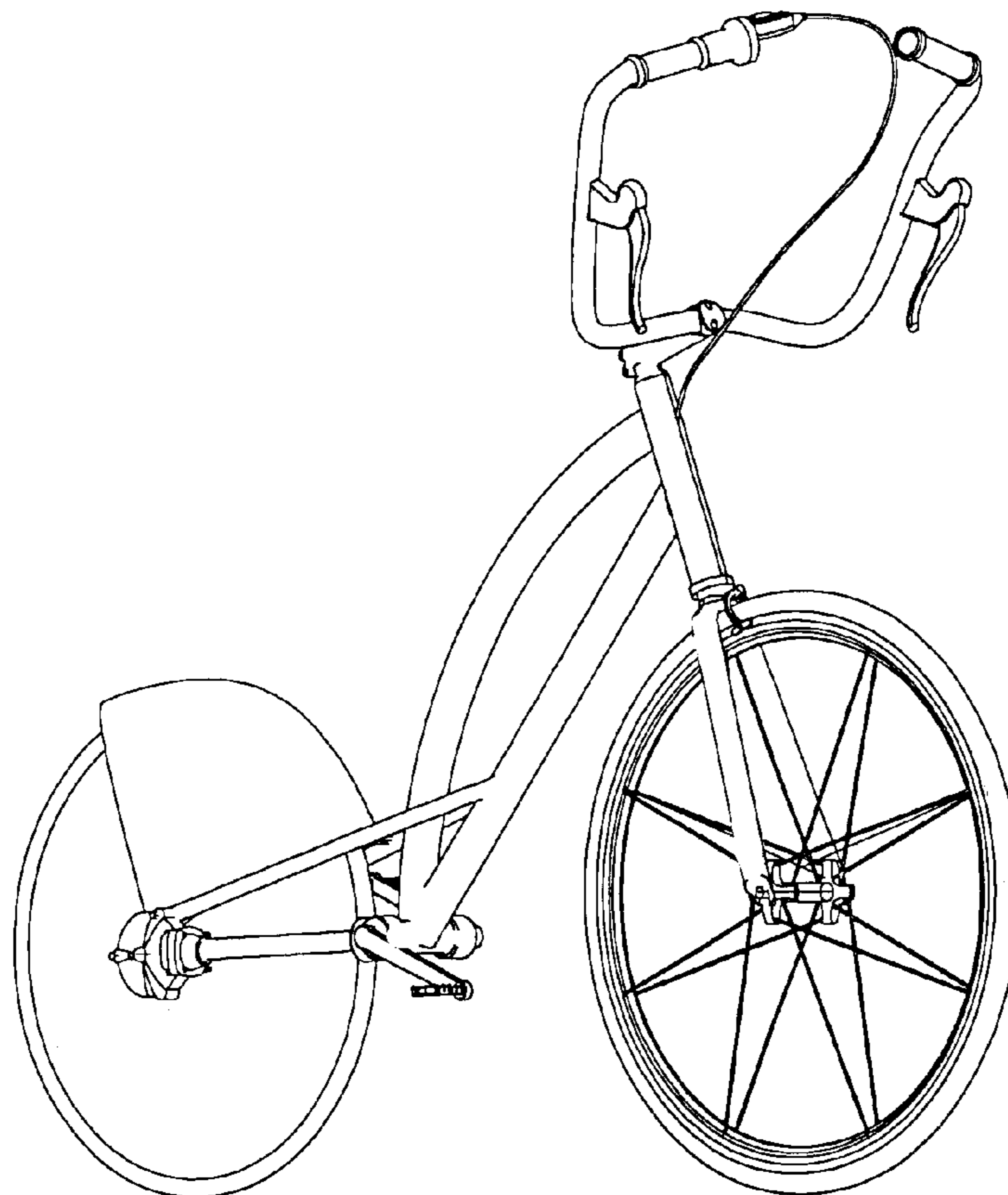
FIG. 4 is a right side elevational view thereof;

FIG. 5 is a left side elevational view thereof;

FIG. 6 is a front elevational view of a bicycle without seat; and,

FIG. 7 is a rear elevational view of a bicycle without seat.

1 Claim, 7 Drawing Sheets



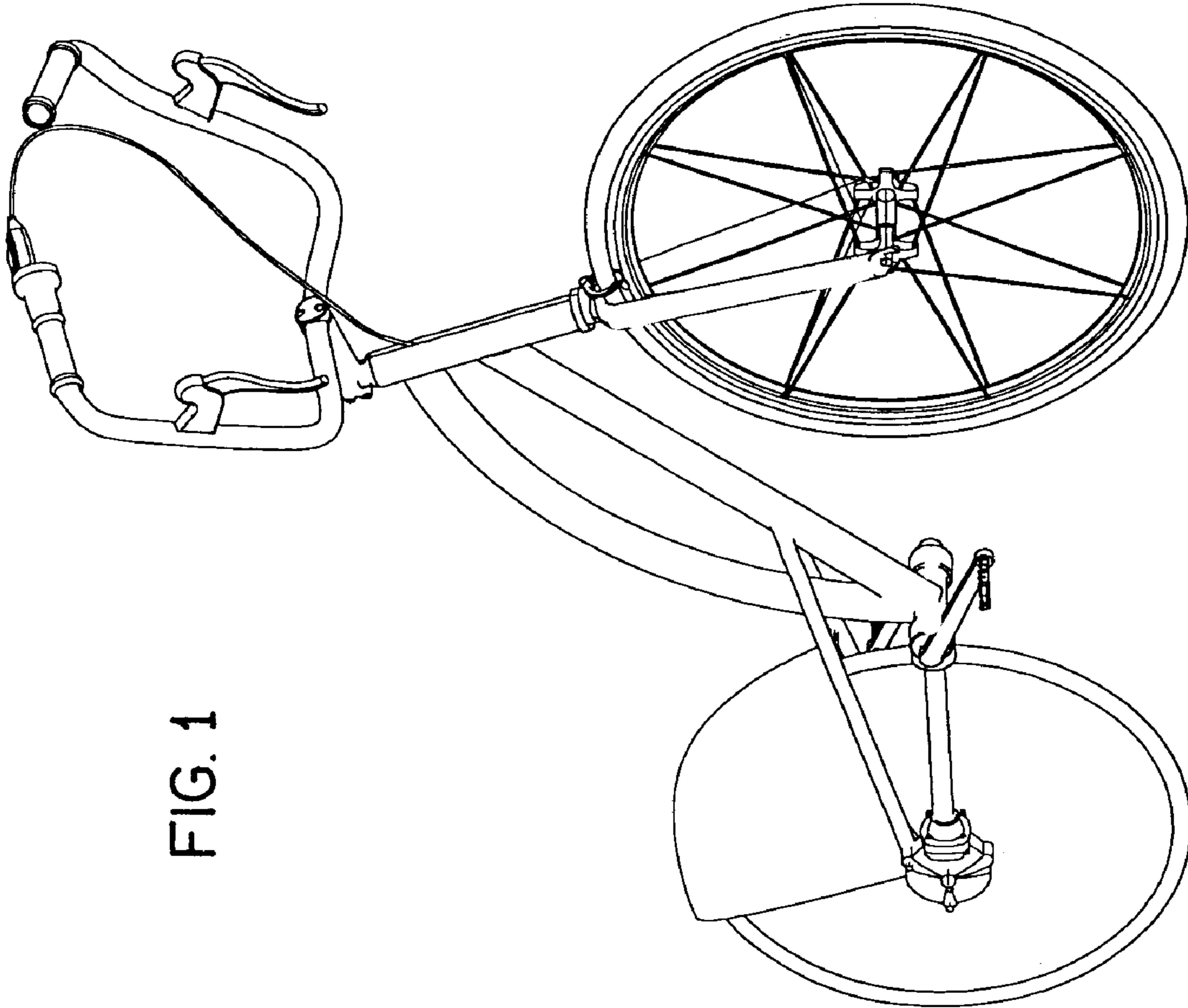


FIG. 1

FIG. 2

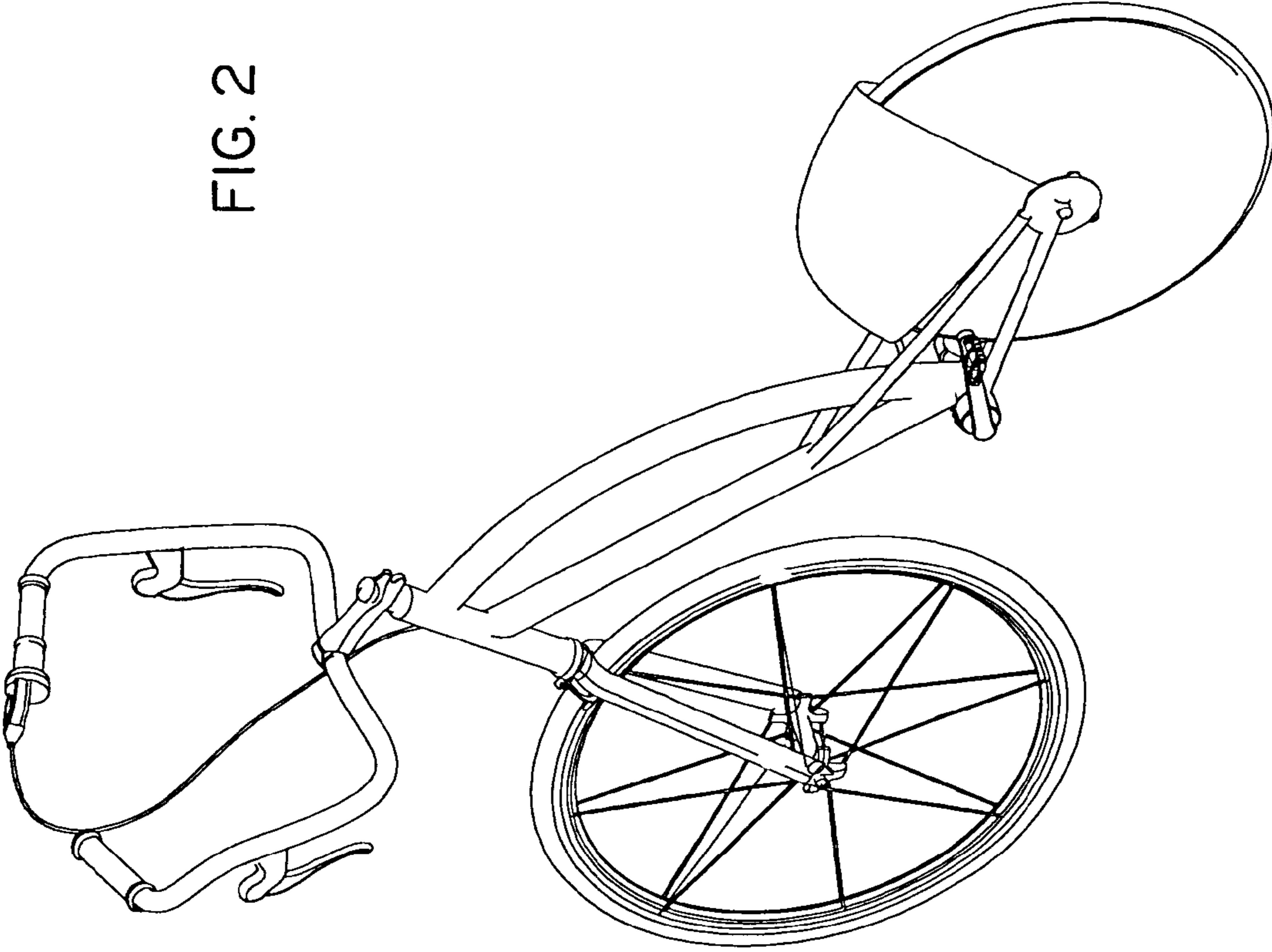
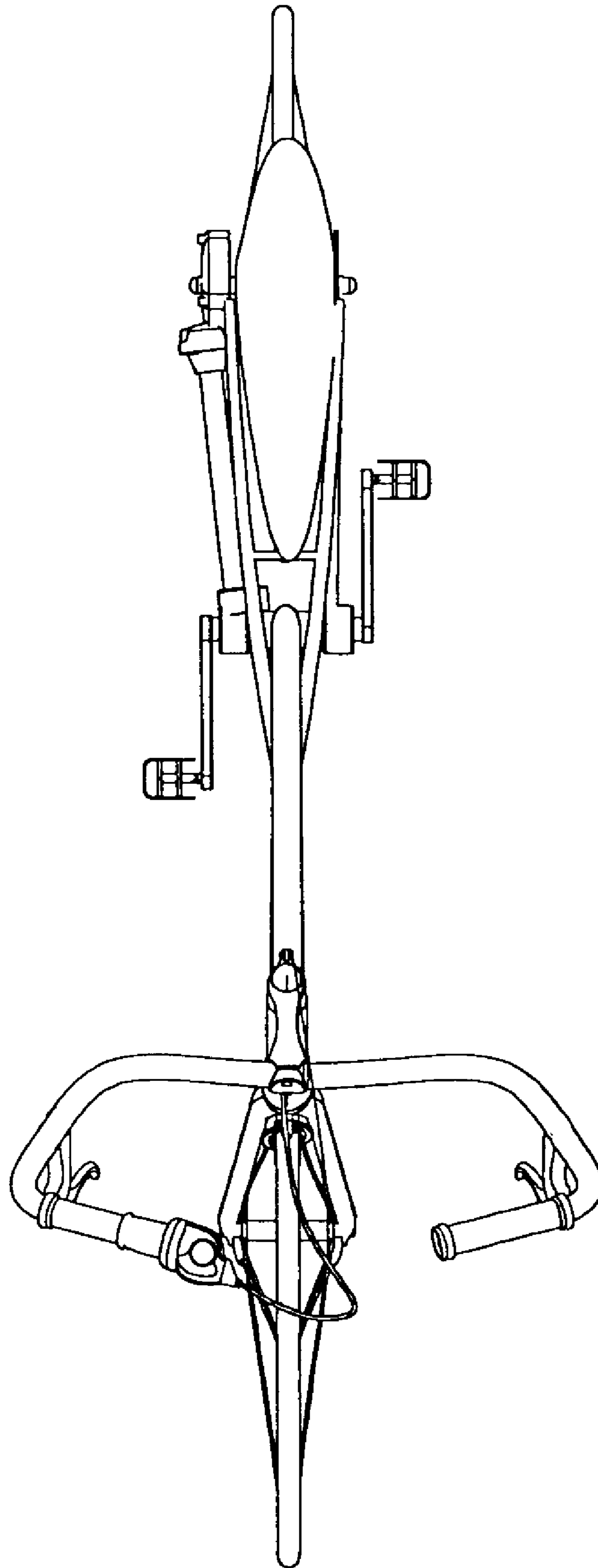


FIG. 3



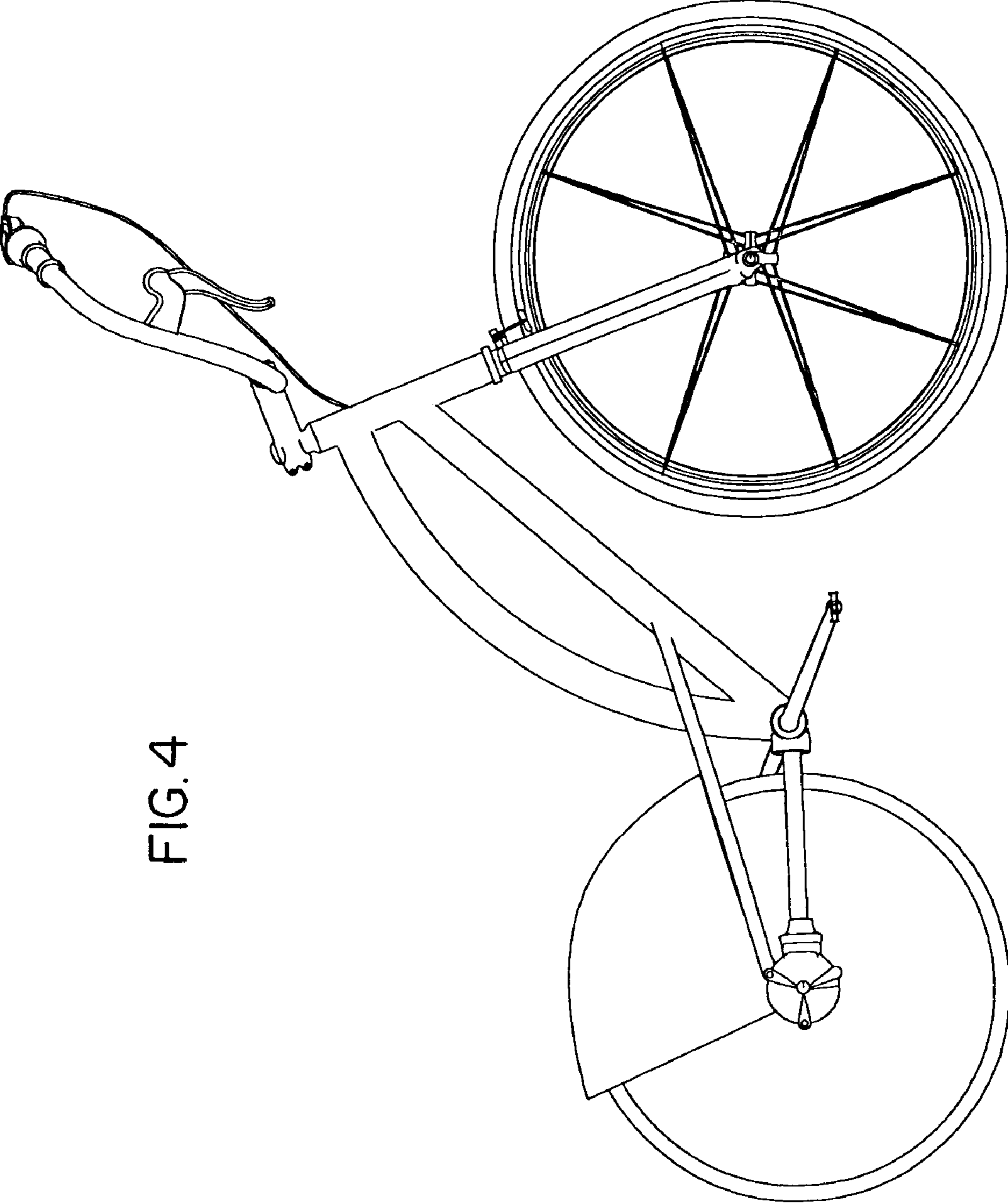
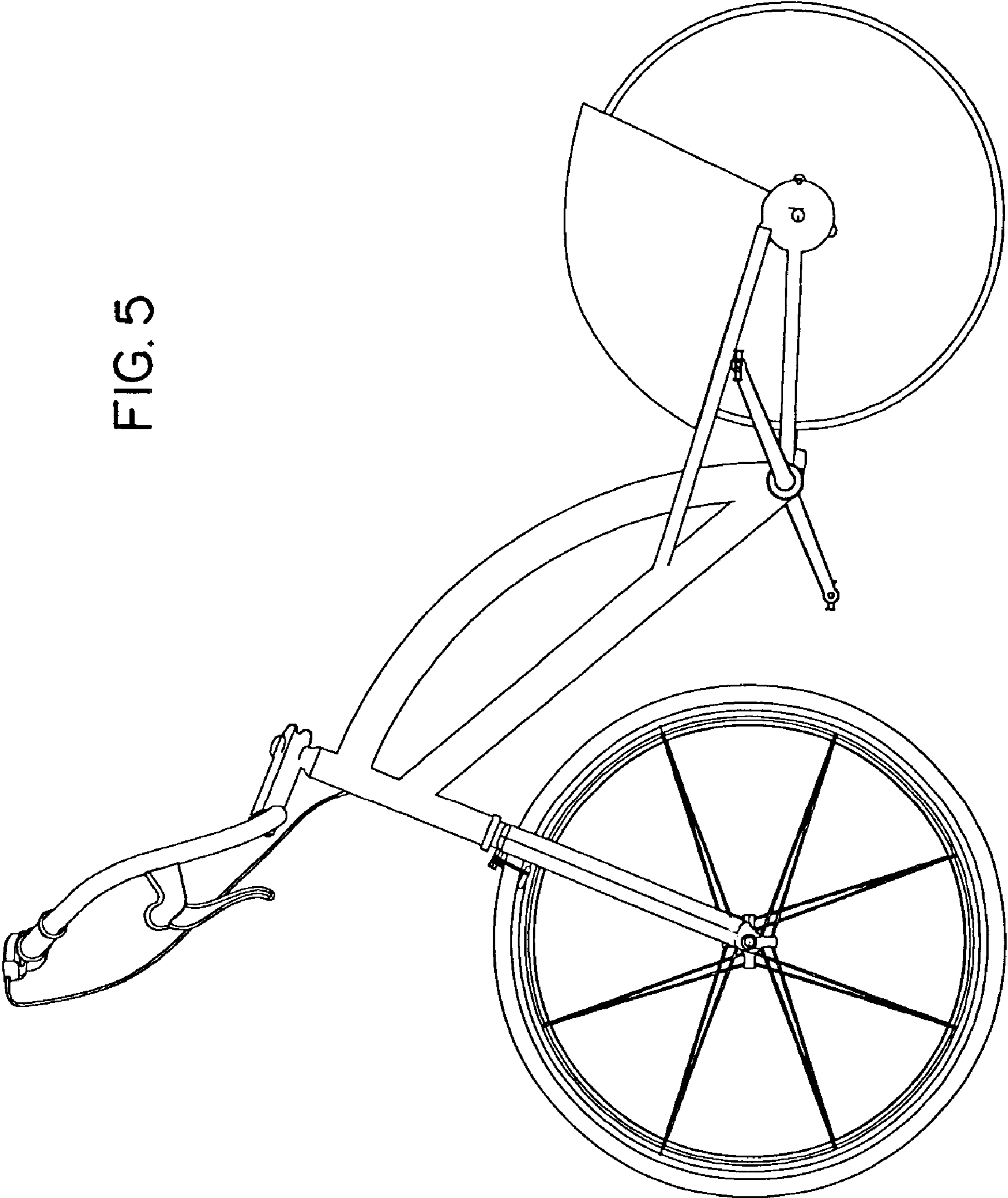


FIG. 4

FIG. 5



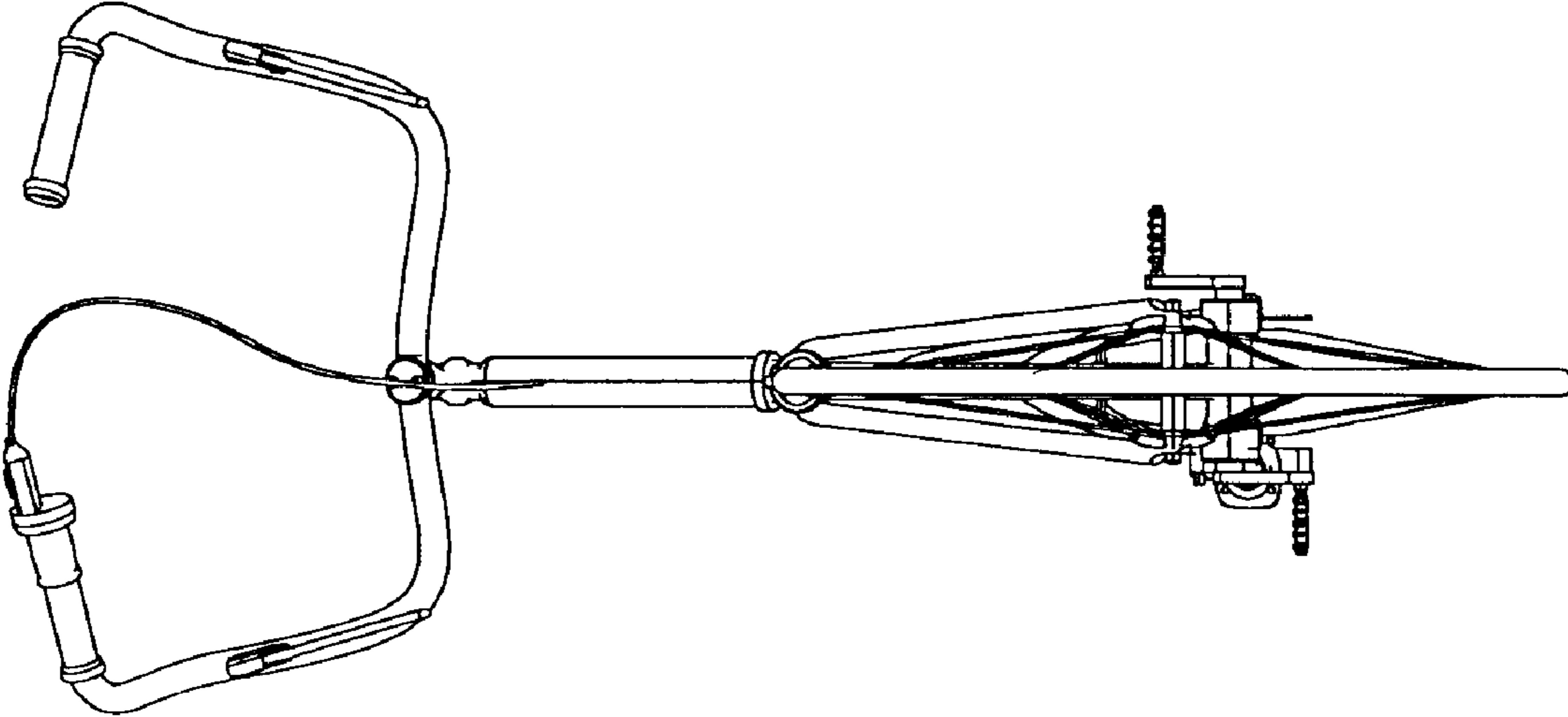


FIG. 6

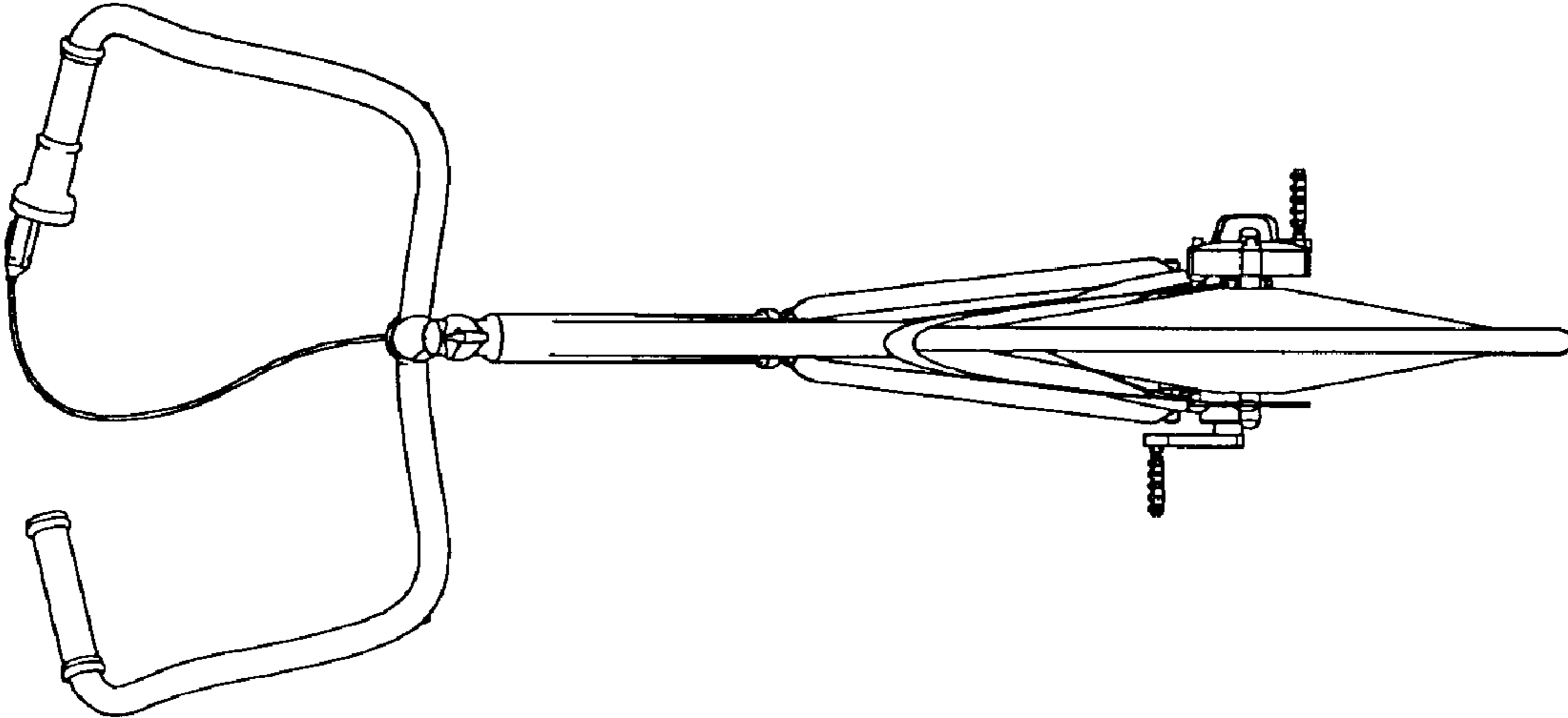


FIG. 7