



US00D537012S

(12) **United States Design Patent** (10) **Patent No.:** **US D537,012 S**
Aghjayan et al. (45) **Date of Patent:** **** Feb. 20, 2007**

(54) **JEWELRY**

(75) Inventors: **Haroutioun Aghjayan**, Englewood Cliffs, NJ (US); **Raymond A. Stuart**, Wyckoff, NJ (US)

(73) Assignee: **Movado LLC**, Wilmington, DE (US)

(**) Term: **14 Years**

(21) Appl. No.: **29/206,300**

(22) Filed: **May 28, 2004**

(51) **LOC (8) Cl.** **11-01**

(52) **U.S. Cl.** **D11/40**

(58) **Field of Classification Search** D11/7,
D11/8, 16, 17, 34-37, 40-45, 79, 87, 88,
D11/89-91, 92-94; 63/12, 13, 14.1, 14.9,
63/26, 27, 29.1, 29.2, 30-32

See application file for complete search history.

(56) **References Cited**

U.S. PATENT DOCUMENTS

D337,741 S	*	7/1993	Garfolo	D11/40
D337,964 S	*	8/1993	Garfolo	D11/40
D506,699 S	*	6/2005	Aghjayan et al.	D11/91
D509,766 S	*	9/2005	Aghjayan et al.	D11/91
D511,312 S	*	11/2005	Aghjayan et al.	D11/91

* cited by examiner

Primary Examiner—Doris Clark
Assistant Examiner—Michael Pratt

(74) *Attorney, Agent, or Firm*—Fross Zelnick Lehrman & Zissu, P.C.; David I. Greenbaum, Esq.

(57) **CLAIM**

The ornamental design for a jewelry, as shown and described.

DESCRIPTION

FIG. 1 is a Front perspective view of jewelry showing our new design;

FIG. 2 is a bottom perspective view of the jewelry shown in FIG. 1;

FIG. 3 is a side view of the jewelry shown in FIG. 1;

FIG. 4 is a front view of the jewelry shown in FIG. 1;

FIG. 5 is a back view of the jewelry shown in FIG. 1;

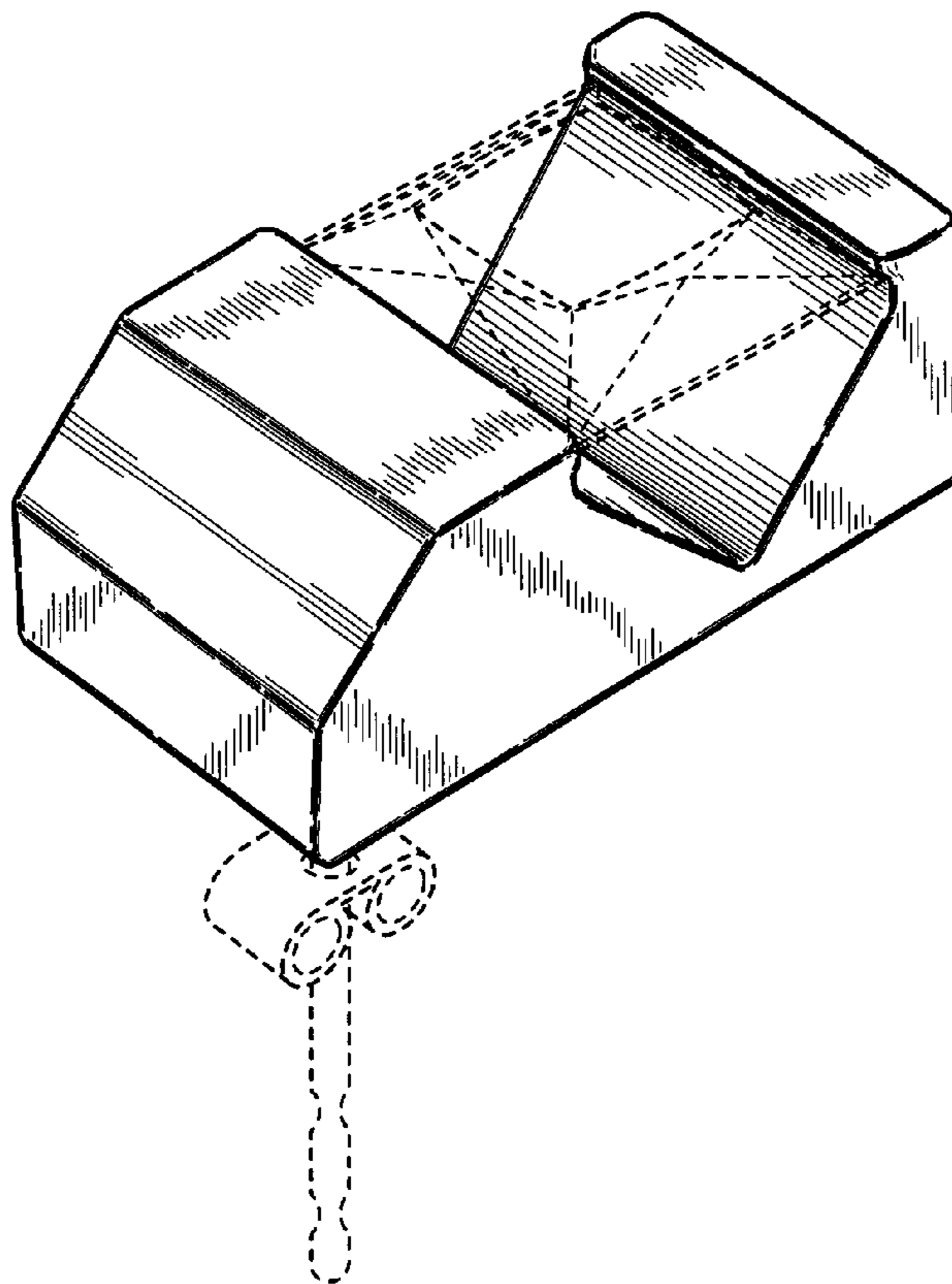
FIG. 6 is a top view of the jewelry shown in FIG. 1;

FIG. 7 is a bottom view of the jewelry shown in FIG. 1; and,

FIG. 8 is a perspective view of a second embodiment of the jewelry.

The broken line showing of the post, backing, gemstone, and chain are for illustrative purposes only and form no part of the claimed design.

1 Claim, 6 Drawing Sheets



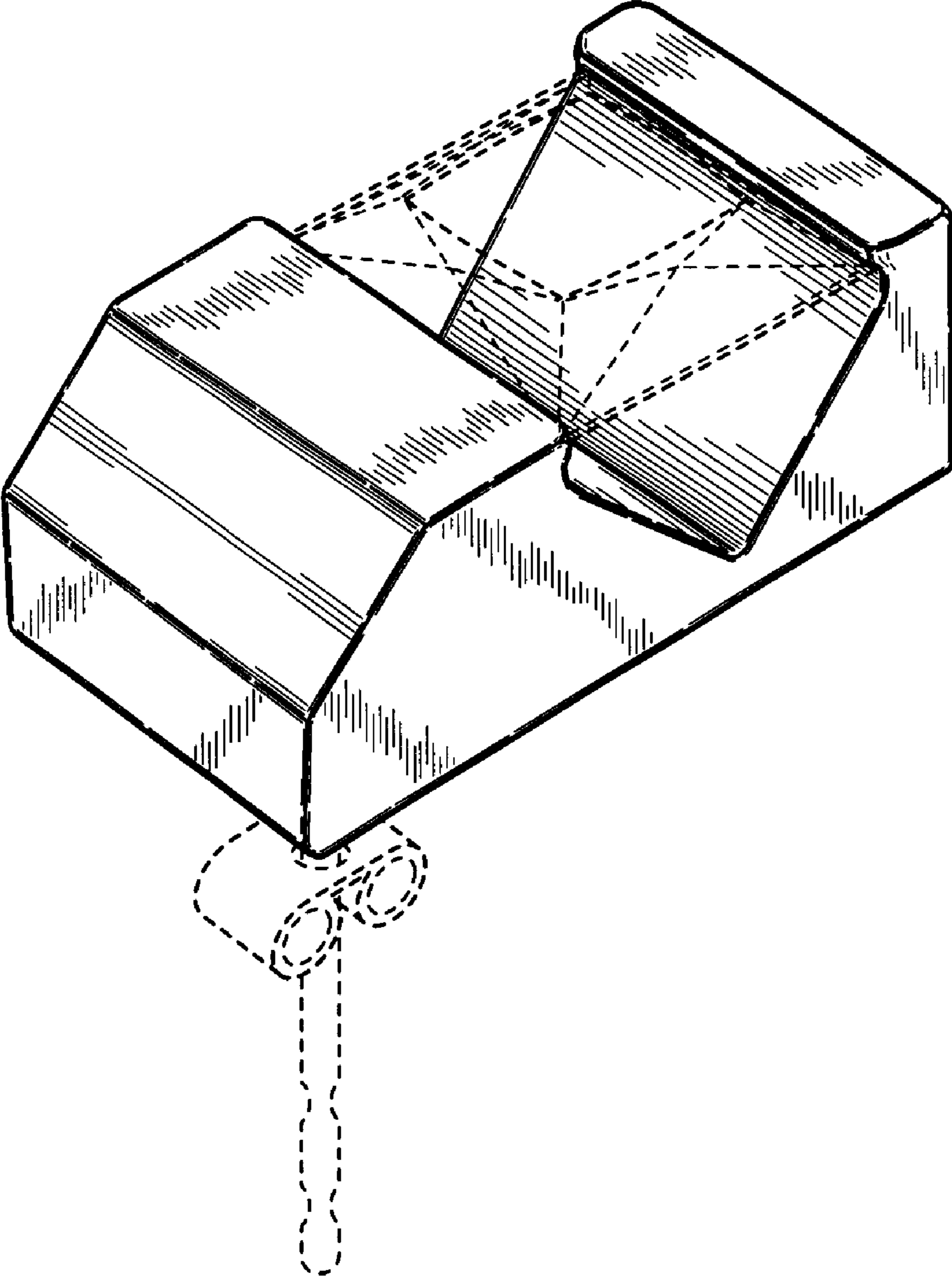


FIG. 1

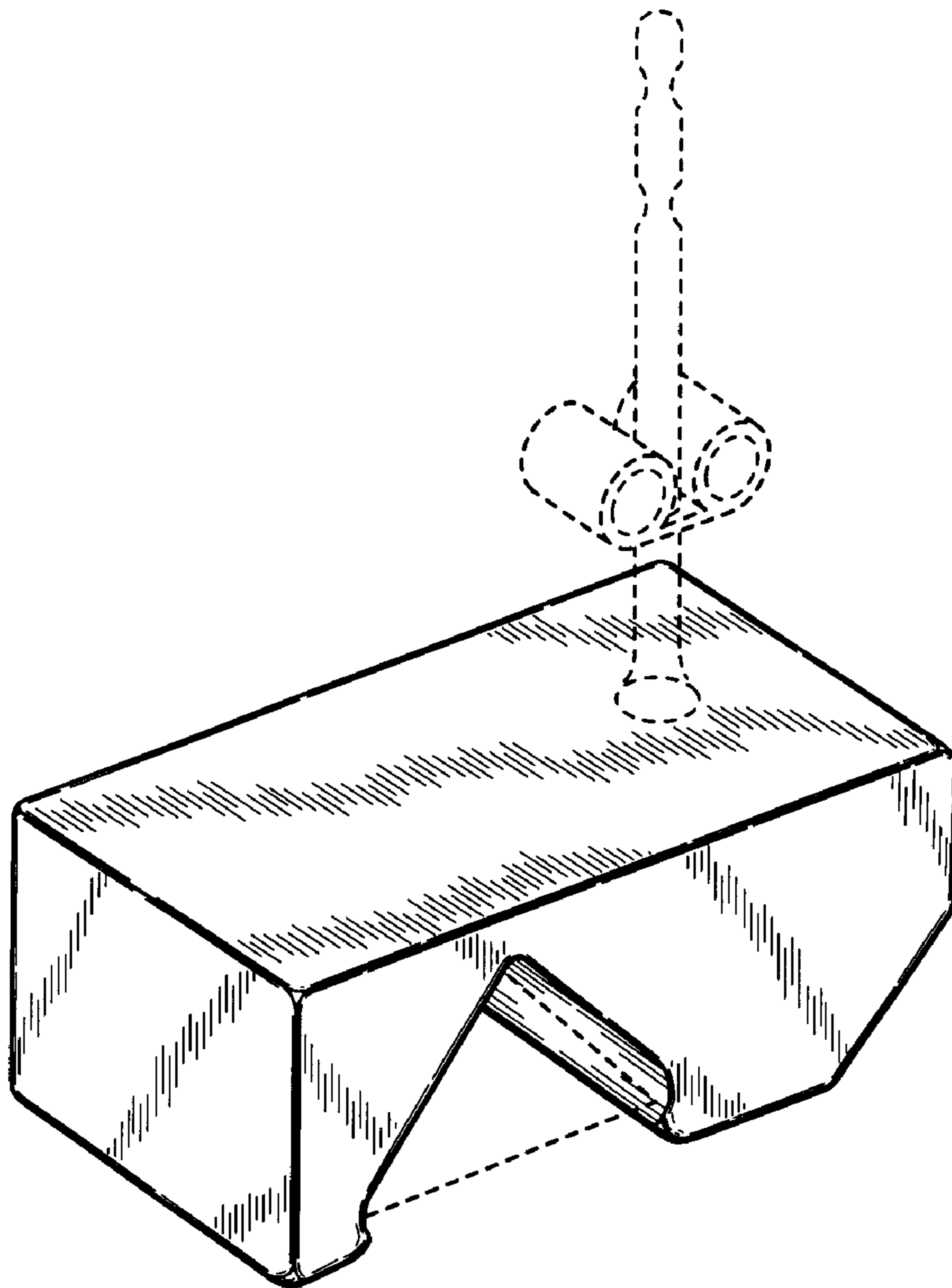


FIG. 2

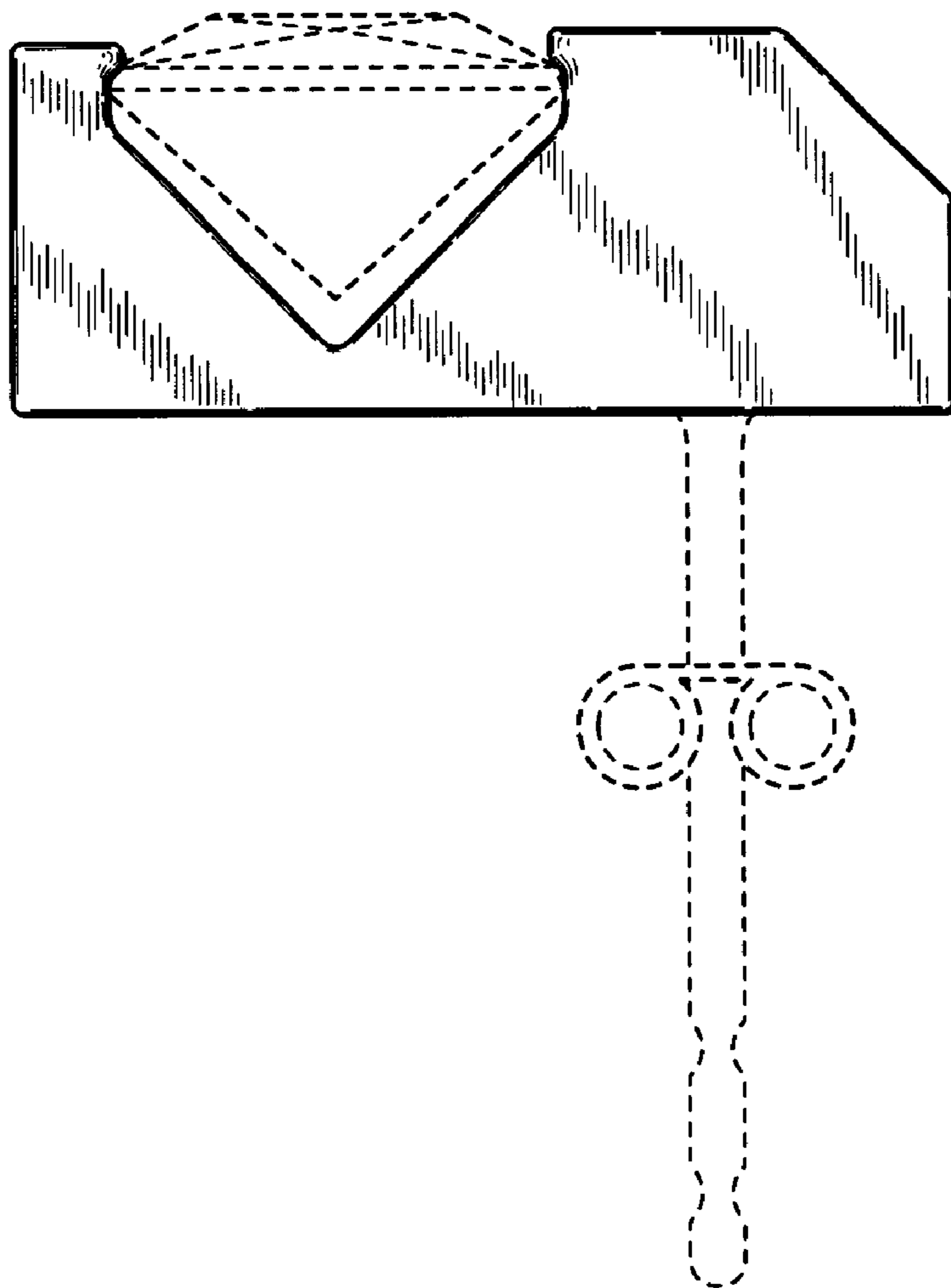


FIG. 3

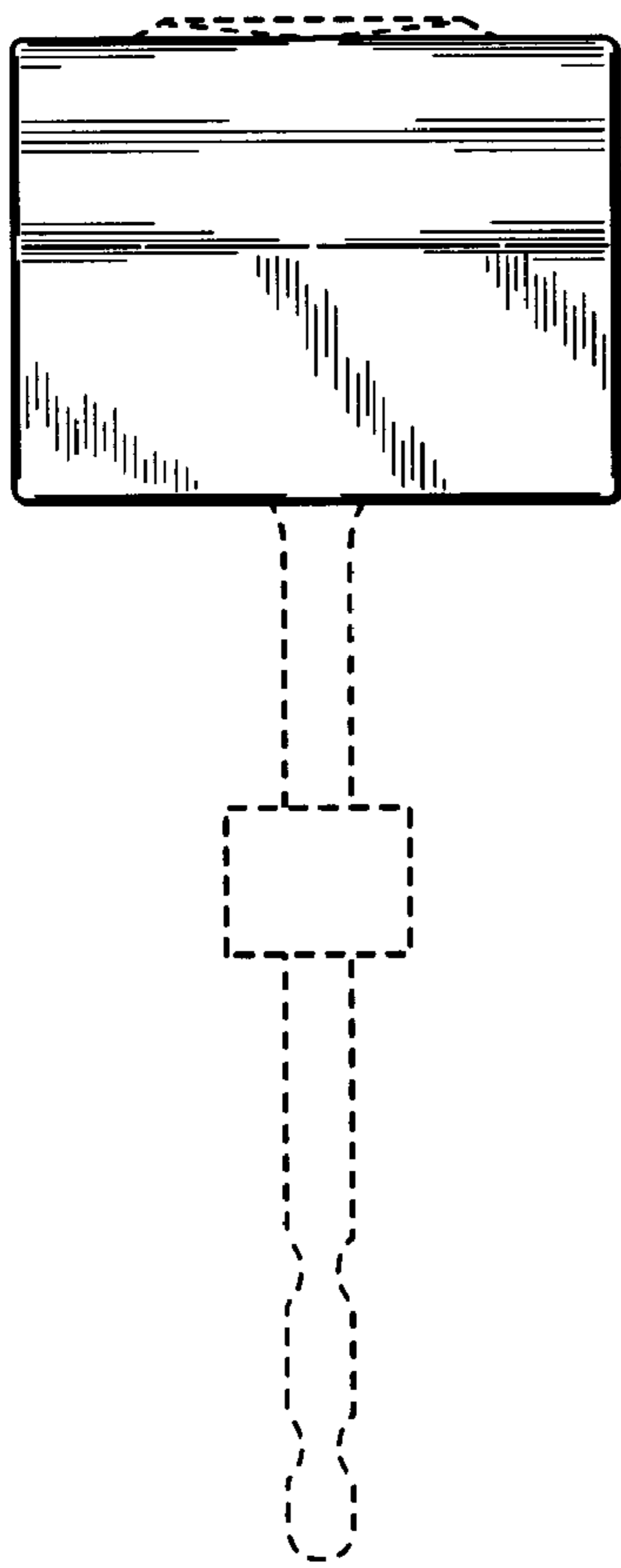


FIG. 4

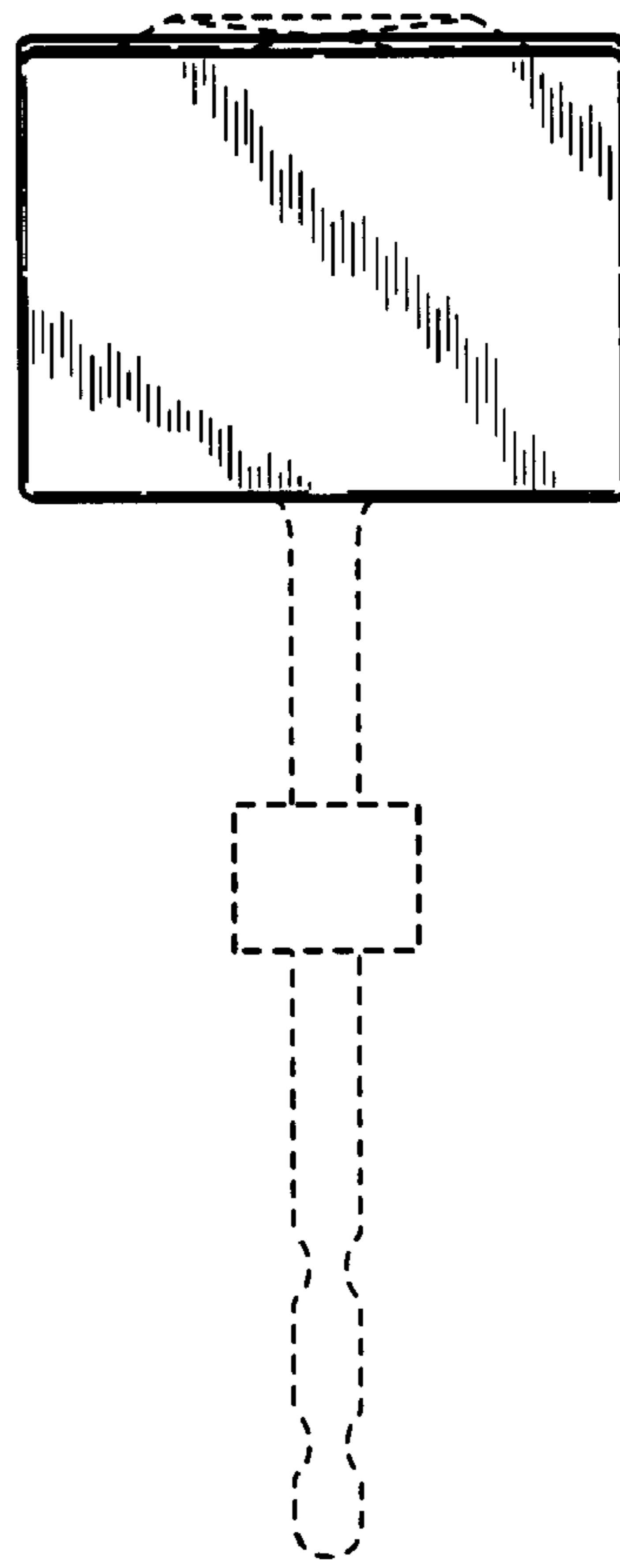


FIG. 5

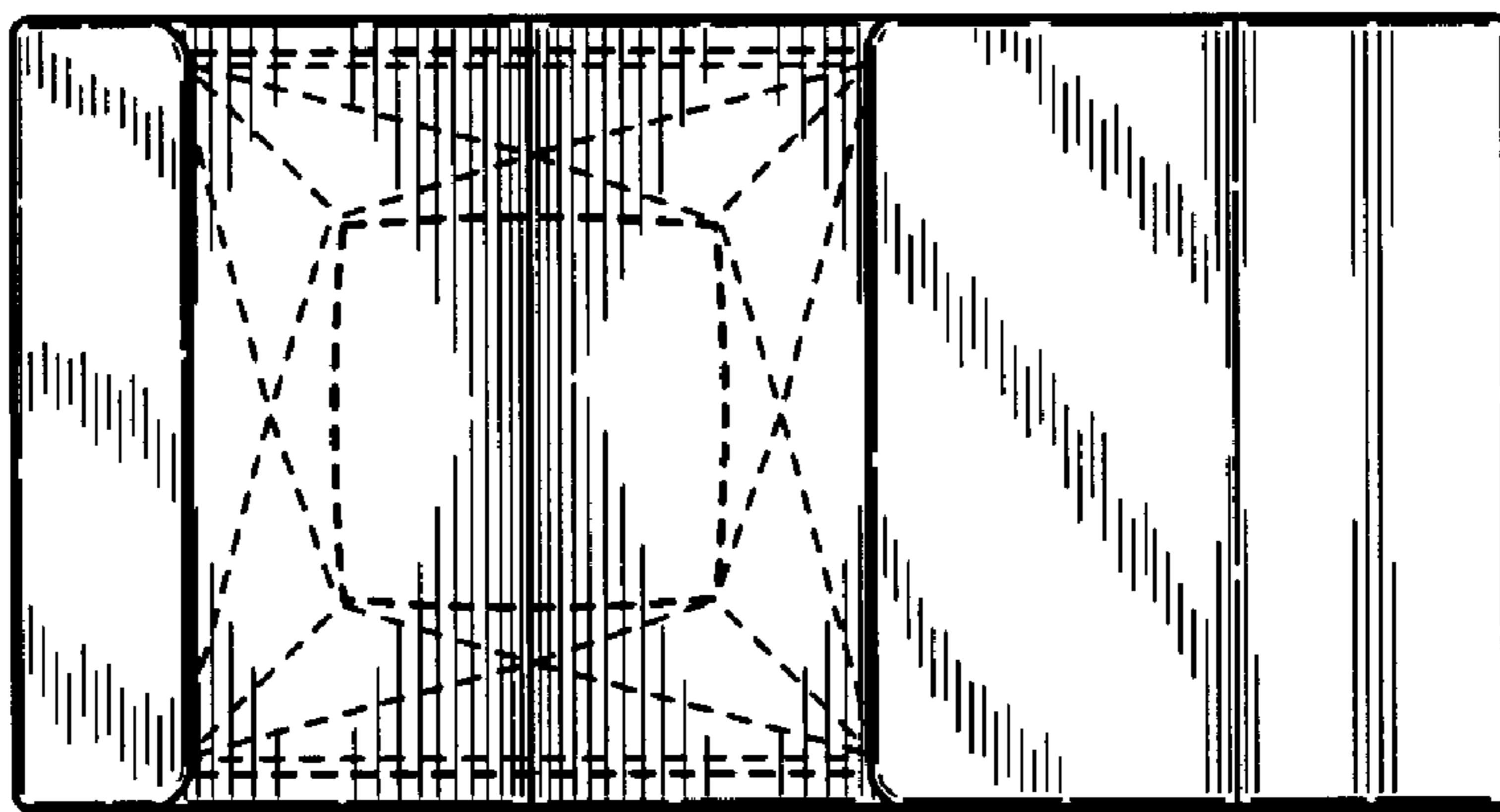


FIG. 6

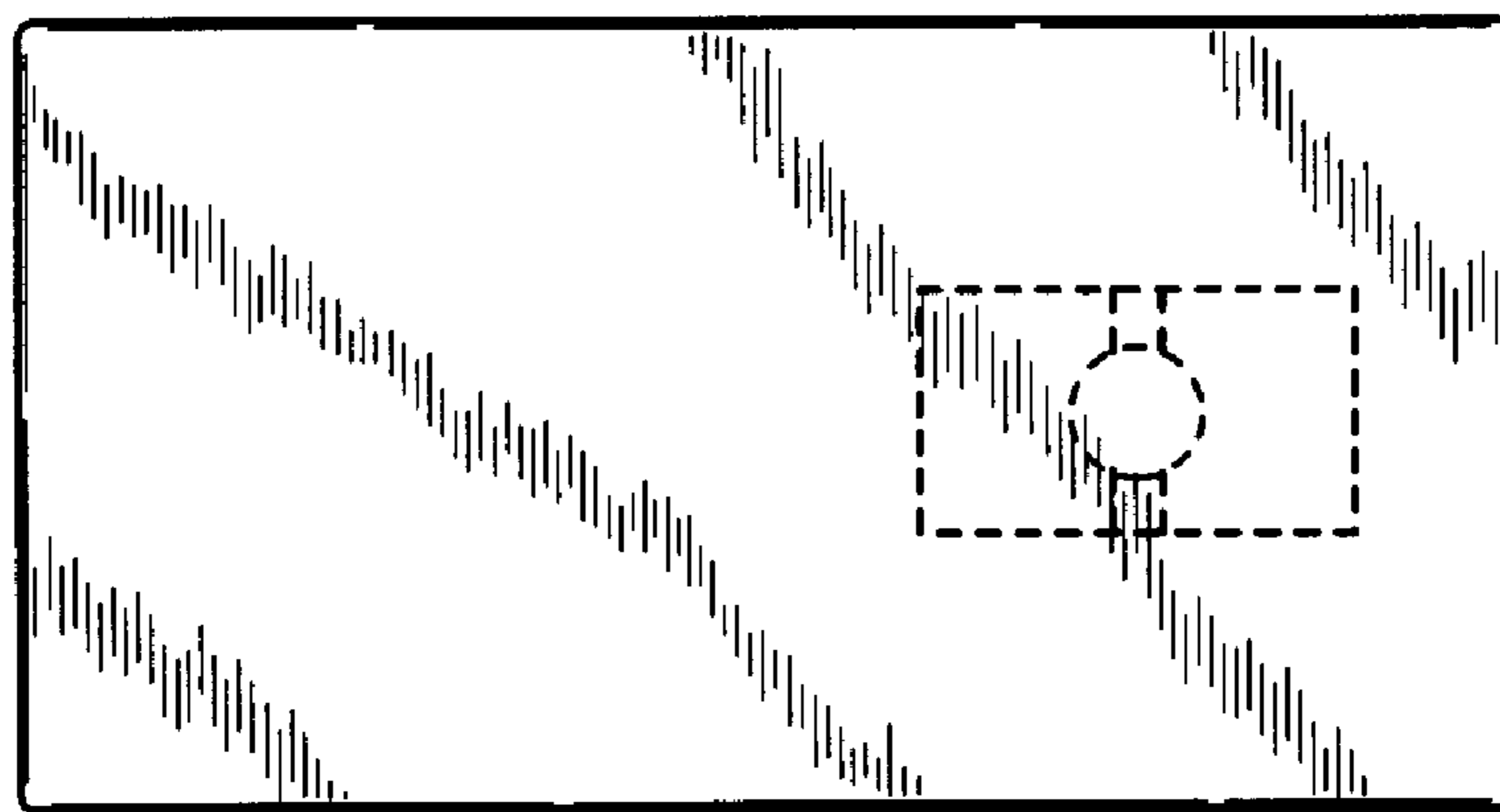


FIG. 7

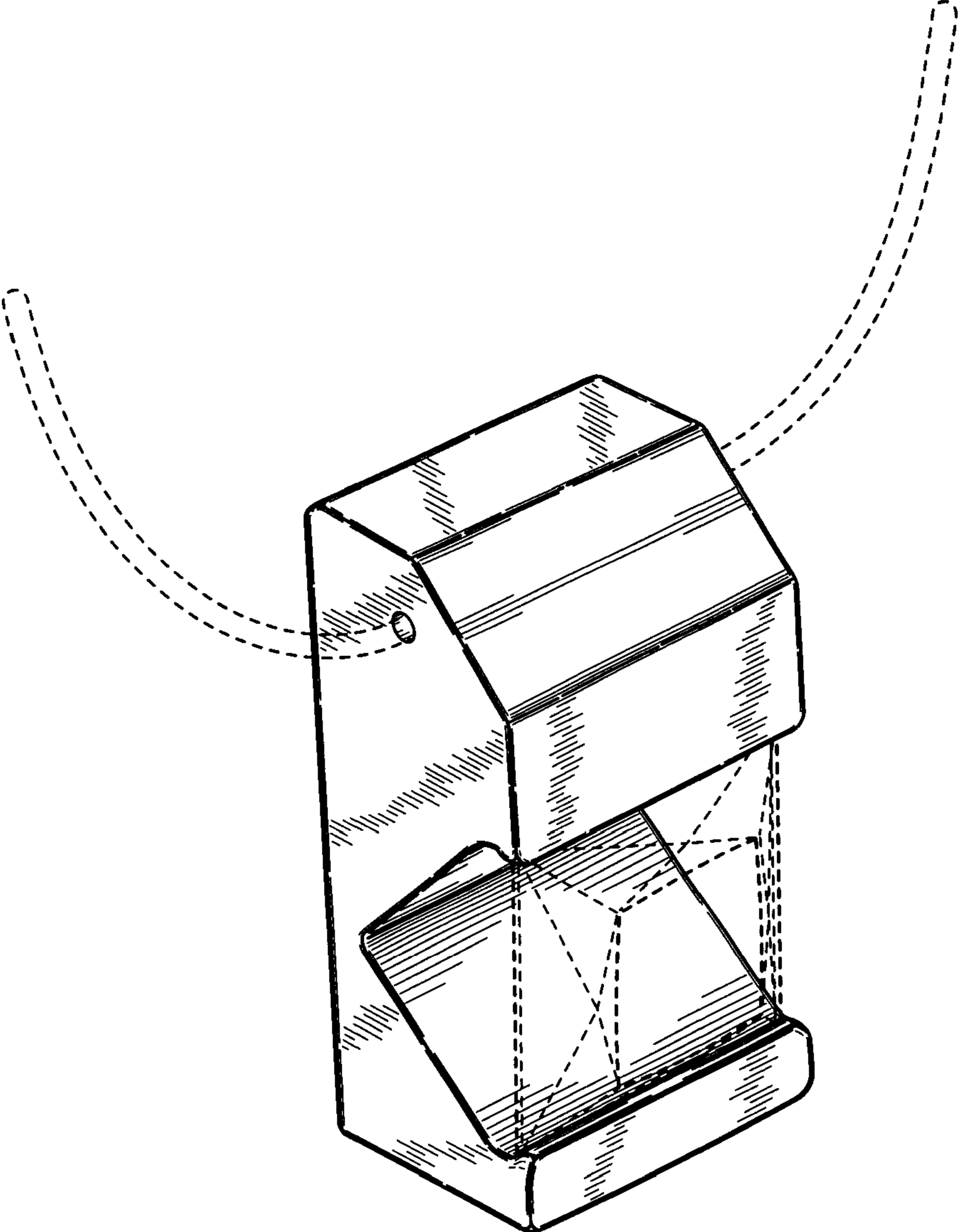


FIG. 8