



US00D537011S

(12) **United States Design Patent**  
**Doughty**

(10) **Patent No.:** **US D537,011 S**

(45) **Date of Patent:** **\*\* Feb. 20, 2007**

(54) **RING**

(76) **Inventor:** **Gary Doughty**, 1795 Merikoke Ave.,  
Wantagh, NY (US) 11793

(\*\*) **Term:** **14 Years**

(21) **Appl. No.:** **29/262,563**

(22) **Filed:** **Jul. 6, 2006**

**Related U.S. Application Data**

(62) Division of application No. 29/258,659, filed on Apr. 25,  
2006, which is a continuation of application No. 11/101,251,  
filed on Apr. 7, 2005.

(51) **LOC (8) Cl.** ..... **11-01**

(52) **U.S. Cl.** ..... **D11/35**

(58) **Field of Classification Search** ..... D11/26-39,  
D11/89-92; 63/15, 15.1-15.4, 15.45, 15.5,  
63/15.6, 15.65, 15.7, 26-27

See application file for complete search history.

(56) **References Cited**

**U.S. PATENT DOCUMENTS**

D351,118 S	*	10/1994	Pandel	.....	D11/35
D431,792 S	*	10/2000	Ferreira	.....	D11/26
D506,157 S	*	6/2005	Hardy	.....	D11/26
D519,874 S	*	5/2006	Allin	.....	D11/35

\* cited by examiner

*Primary Examiner*—Ian Simmons

*Assistant Examiner*—Melanie Levy

(57) **CLAIM**

The ornamental design for a ring, as shown and described.

**DESCRIPTION**

FIG. 1 is a perspective view illustrating a ring;  
FIG. 2 is a side view illustrating the ring of FIG. 1;  
FIG. 3 is a top view illustrating the ring of FIG. 1; and,  
FIG. 4 is a bottom view illustrating the ring of FIG. 1.

**1 Claim, 1 Drawing Sheet**

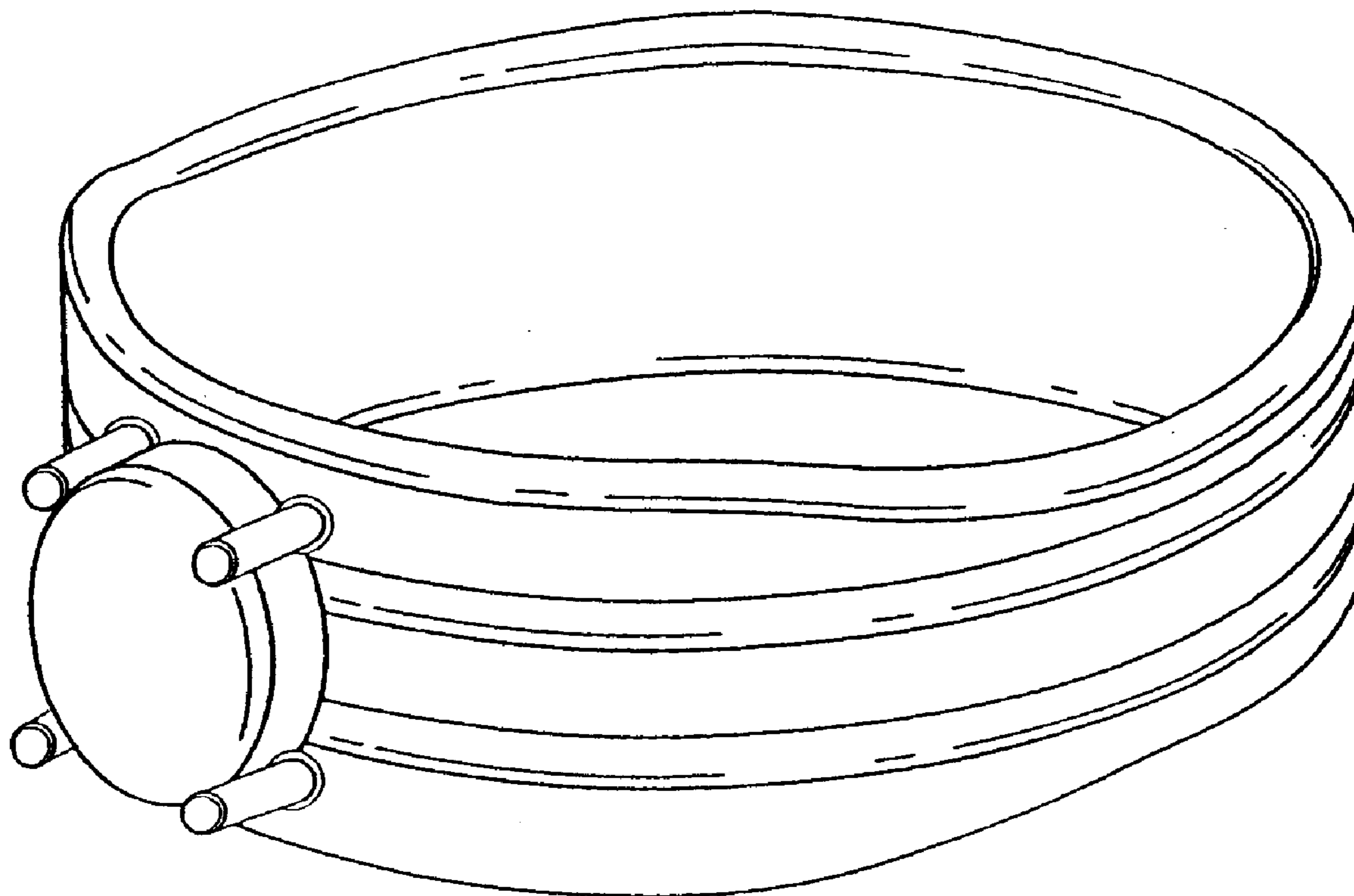


FIG. 1

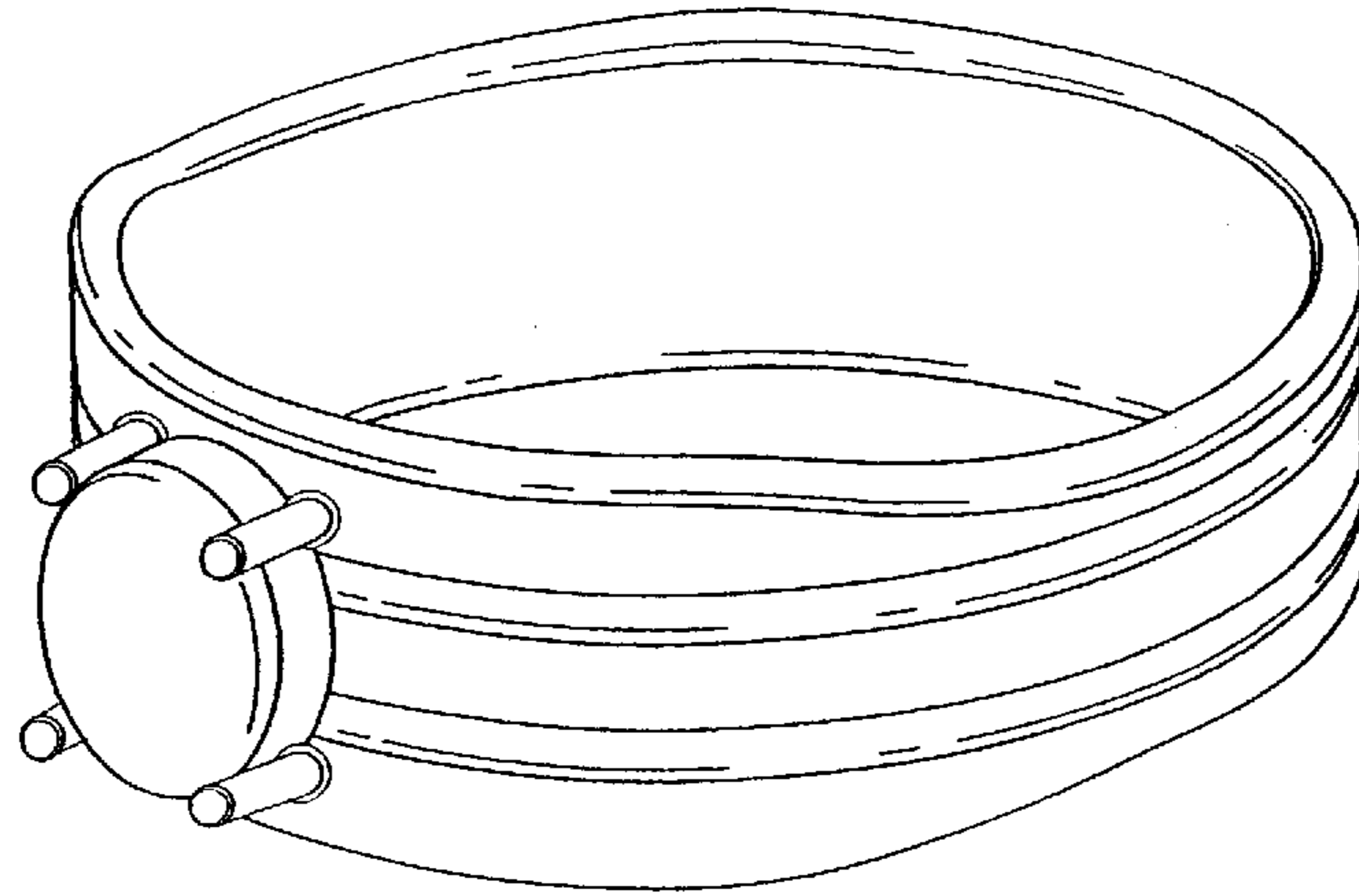


FIG. 3

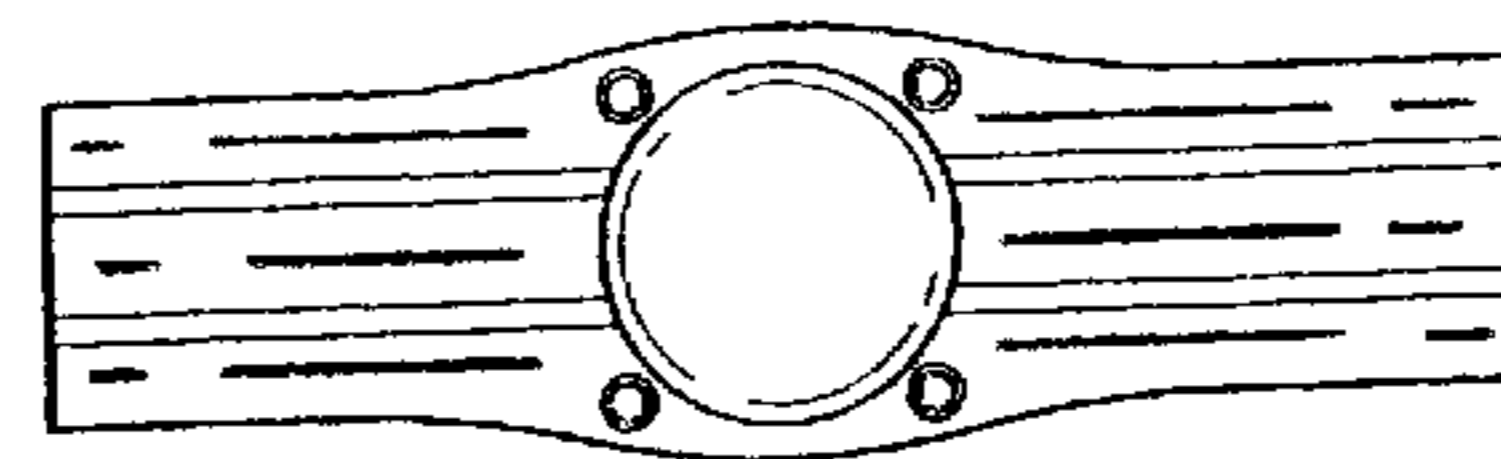


FIG. 2

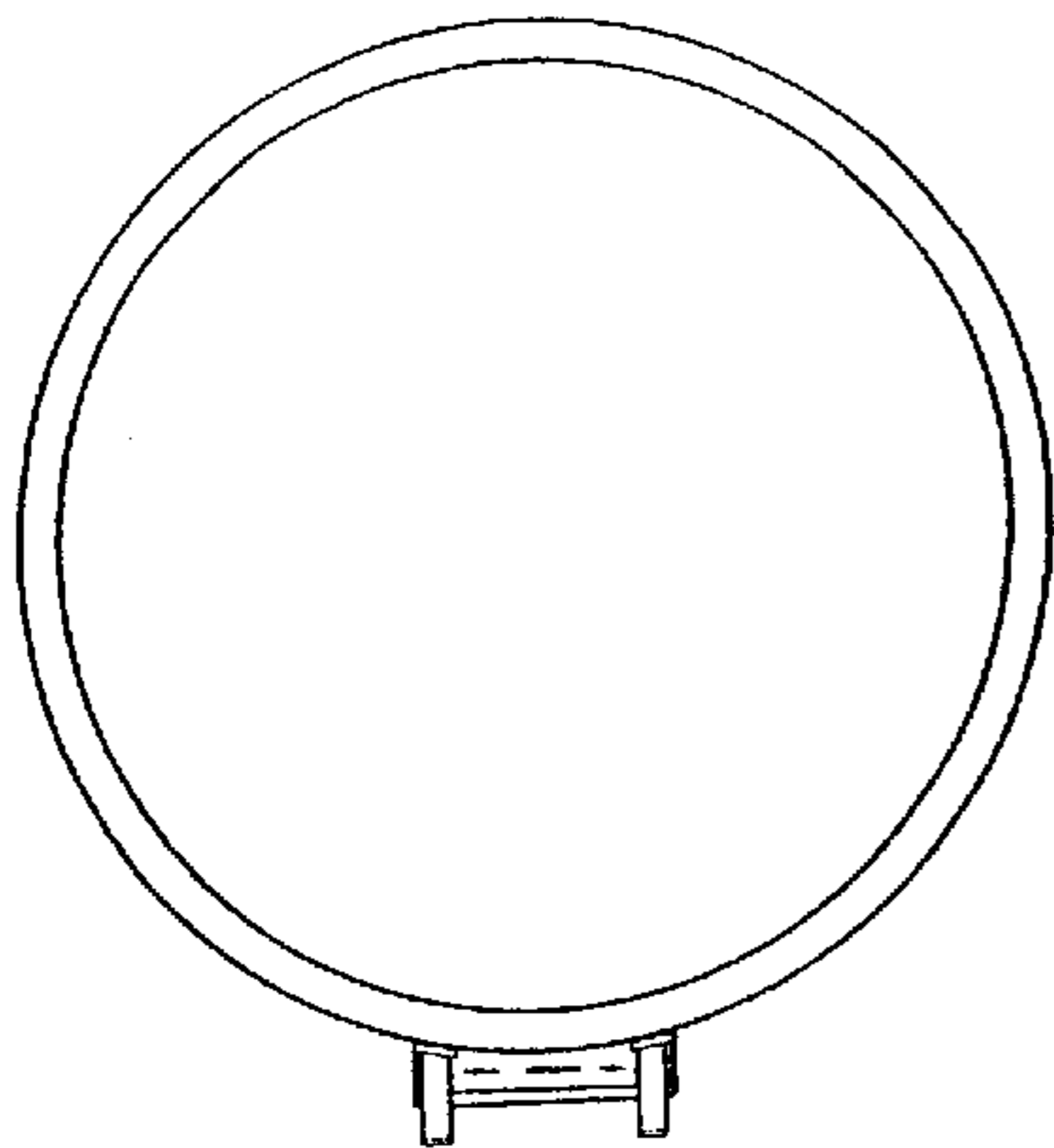


FIG. 4

