



US00D537000S

(12) **United States Design Patent**
Kim

(10) **Patent No.:** **US D537,000 S**

(45) **Date of Patent:** **** Feb. 20, 2007**

(54) **LEVEL WITH A CONVEX FRAME EXPANSE**

2005/0039341 A1 * 2/2005 Hickey 33/365

(75) Inventor: **Charles D. Kim**, Raleigh, NC (US)

* cited by examiner

(73) Assignee: **Empire Level Mfg. Corp.**,
Mukwonago, WI (US)

Primary Examiner—Antoine D. Davis

Assistant Examiner—Patricia Palasik

(**) Term: **14 Years**

(74) *Attorney, Agent, or Firm*—Jansson, Shupe, Munger &
Antaramian, Ltd.

(21) Appl. No.: **29/258,343**

(57) **CLAIM**

(22) Filed: **Apr. 20, 2006**

The ornamental design for a level with a convex frame
expans, as shown and described.

(51) **LOC (8) Cl.** **10-04**

(52) **U.S. Cl.** **D10/69**

(58) **Field of Classification Search** D10/69,
D10/74; 33/365, 366.11–366.27, 367–391
See application file for complete search history.

DESCRIPTION

FIG. 1 is a top perspective view of a level with a convex
frame expans.

FIG. 2 is a front elevation view of the level of FIG. 1, the
rear elevation view being a mirror image.

FIG. 3 is a top plan view of the level of FIG. 1.

FIG. 4 is a bottom plan view of the level of FIG. 1; and,

FIG. 5 is a right-end plan view of the level of FIG. 1, the
left-end being a mirror image.

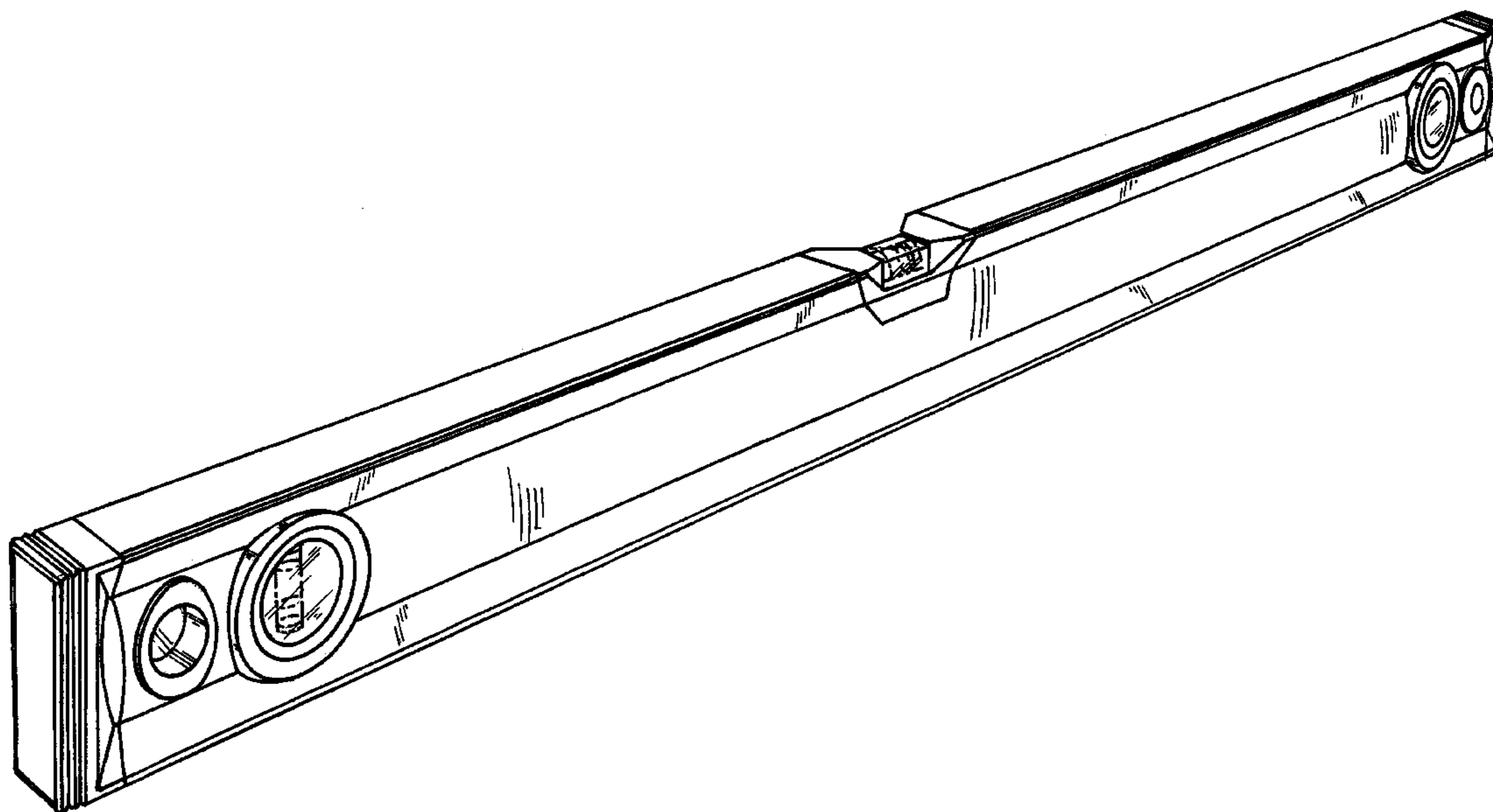
The broken lines are provided for illustrative purposes only
and form no part of the claimed design.

(56) **References Cited**

U.S. PATENT DOCUMENTS

D343,363 S	*	1/1994	Wright	D10/69
D459,251 S	*	6/2002	Scheyer	D10/69
D498,152 S	*	11/2004	Hickey	D10/69
D503,636 S	*	4/2005	Kim	D10/69
D525,543 S	*	7/2006	Kallabis	D10/69

1 Claim, 2 Drawing Sheets



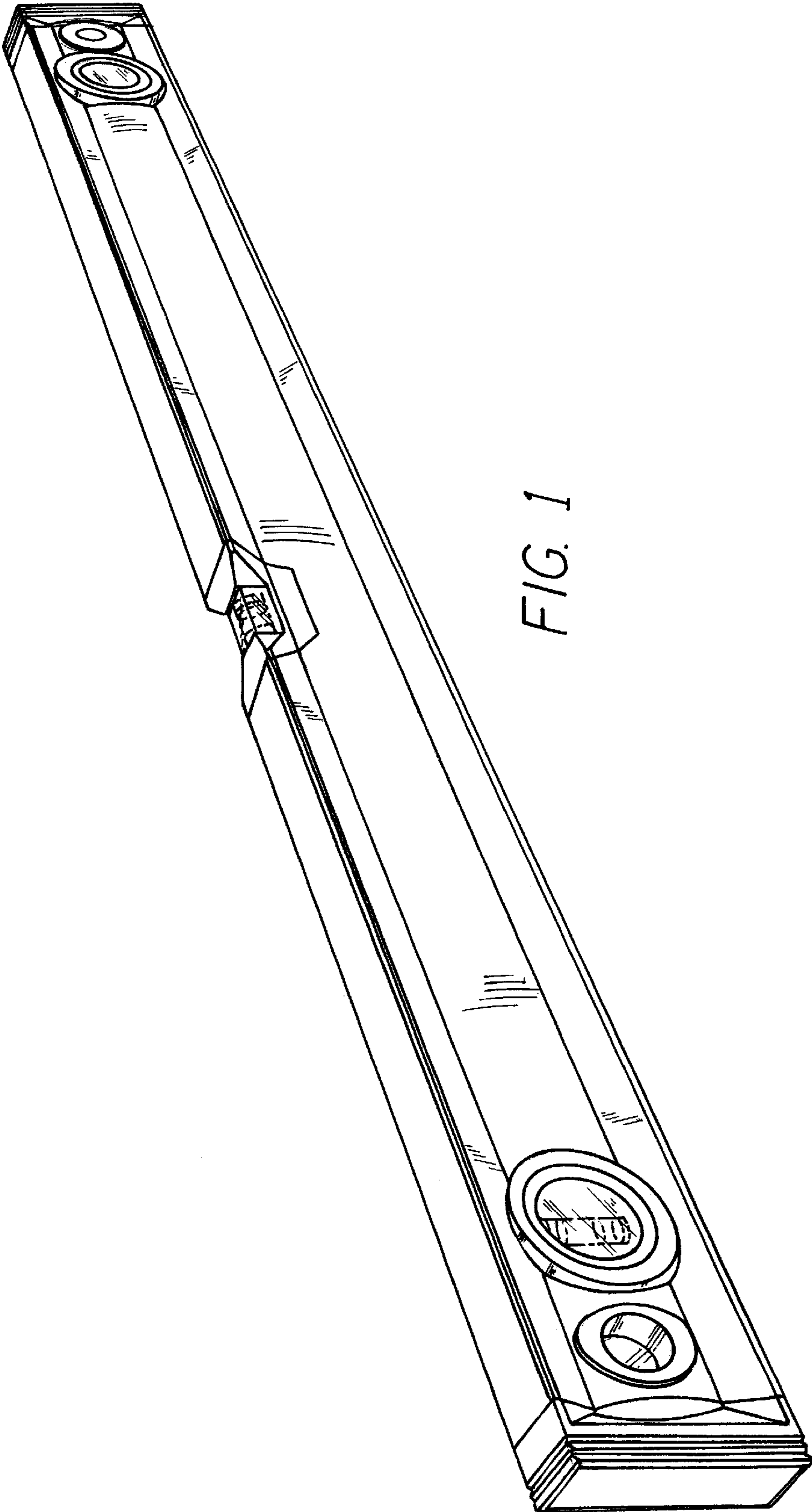


FIG. 1

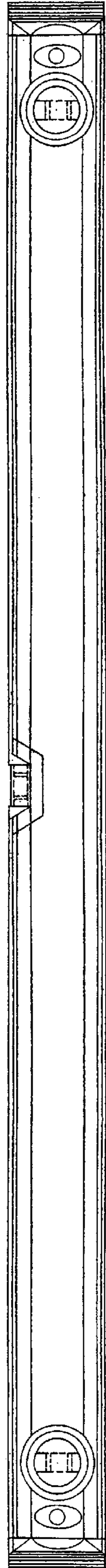


FIG. 2

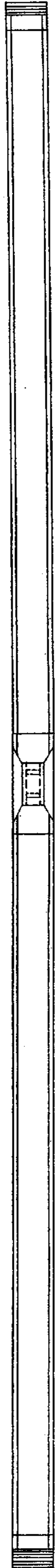


FIG. 3



FIG. 4

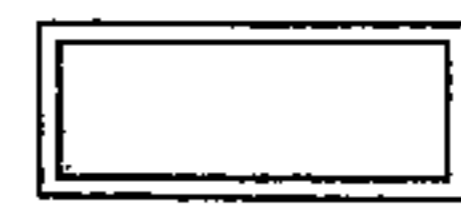


FIG. 5