



US00D536997S

(12) **United States Design Patent**
Asakawa

(10) **Patent No.:** **US D536,997 S**

(45) **Date of Patent:** **** Feb. 20, 2007**

(54) **WATCH CASE**

(75) Inventor: **Hiroshi Asakawa**, Kokubunji (JP)

(73) Assignee: **Casio Keisanki Kabushiki Kaisha**,
Tokyo (JP)

(**) Term: **14 Years**

(21) Appl. No.: **29/228,155**

(22) Filed: **Apr. 19, 2005**

(51) **LOC (8) Cl.** **10-02**

(52) **U.S. Cl.** **D10/38**

(58) **Field of Classification Search** D10/30,
D10/31, 32, 38, 39, 123, 124, 126, 131; 368/28-30,
368/21, 82-84, 228, 239-242, 281, 282,
368/285, 308, 223, 11

See application file for complete search history.

(56) **References Cited**

U.S. PATENT DOCUMENTS

D287,470 S	*	12/1986	Houlihan	D10/30
D353,105 S	*	12/1994	Houlihan	D10/30
D377,315 S	*	1/1997	Moriai et al.	D10/38
D380,391 S	*	7/1997	Osit	D10/30
D386,975 S	*	12/1997	Yamamoto	D10/30
D391,863 S	*	3/1998	Houlihan	D10/30
D400,804 S	*	11/1998	Riley et al.	D10/30

D413,527 S	*	9/1999	Hanagata	D10/30
D415,043 S	*	10/1999	Fichter	D10/39
D418,427 S	*	1/2000	Fichter	D10/30
D435,221 S	*	12/2000	Nikaido et al.	D10/30
D451,825 S	*	12/2001	Hanagata	D10/30
D465,739 S	*	11/2002	Arabov	D10/39
D486,402 S	*	2/2004	Shoubayashi	D10/30
D490,719 S	*	6/2004	Schoepfer	D10/32
D502,650 S	*	3/2005	Kojima et al.	D10/30

* cited by examiner

Primary Examiner—Lucy Lieberman

(74) *Attorney, Agent, or Firm*—Frishauf, Holtz, Goodman & Chick, P.C.

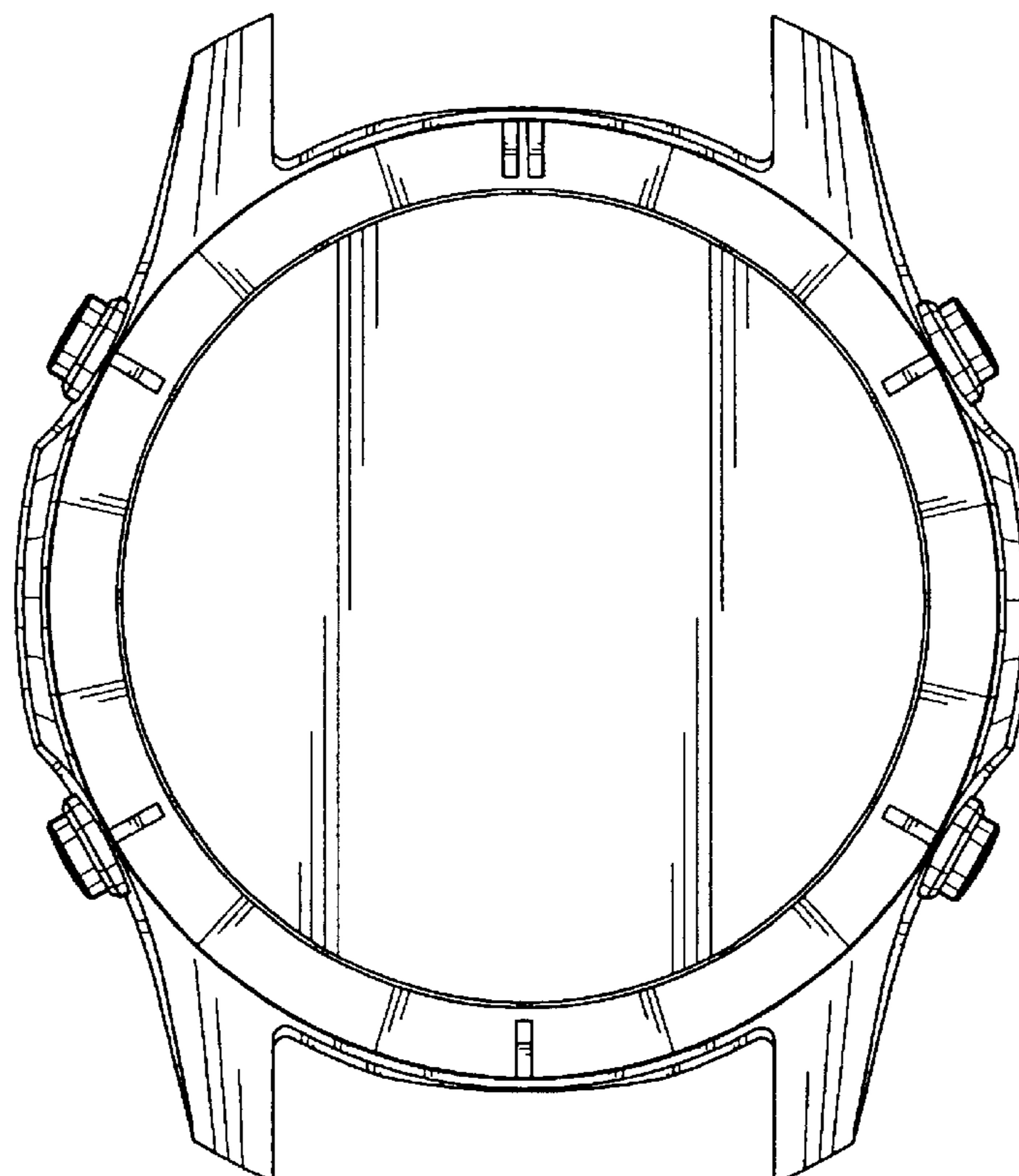
(57) **CLAIM**

The ornamental design for a watch case, as shown.

DESCRIPTION

FIG. 1 is a reduced scale front, right side, bottom perspective view of a watch case showing my new design; FIG. 2 is a front elevational view thereof; FIG. 3 is a rear elevational view thereof; FIG. 4 is a left side view thereof; FIG. 5 is a right side view thereof; FIG. 6 is a top plan view thereof; and, FIG. 7 is a bottom plan view thereof.

1 Claim, 6 Drawing Sheets



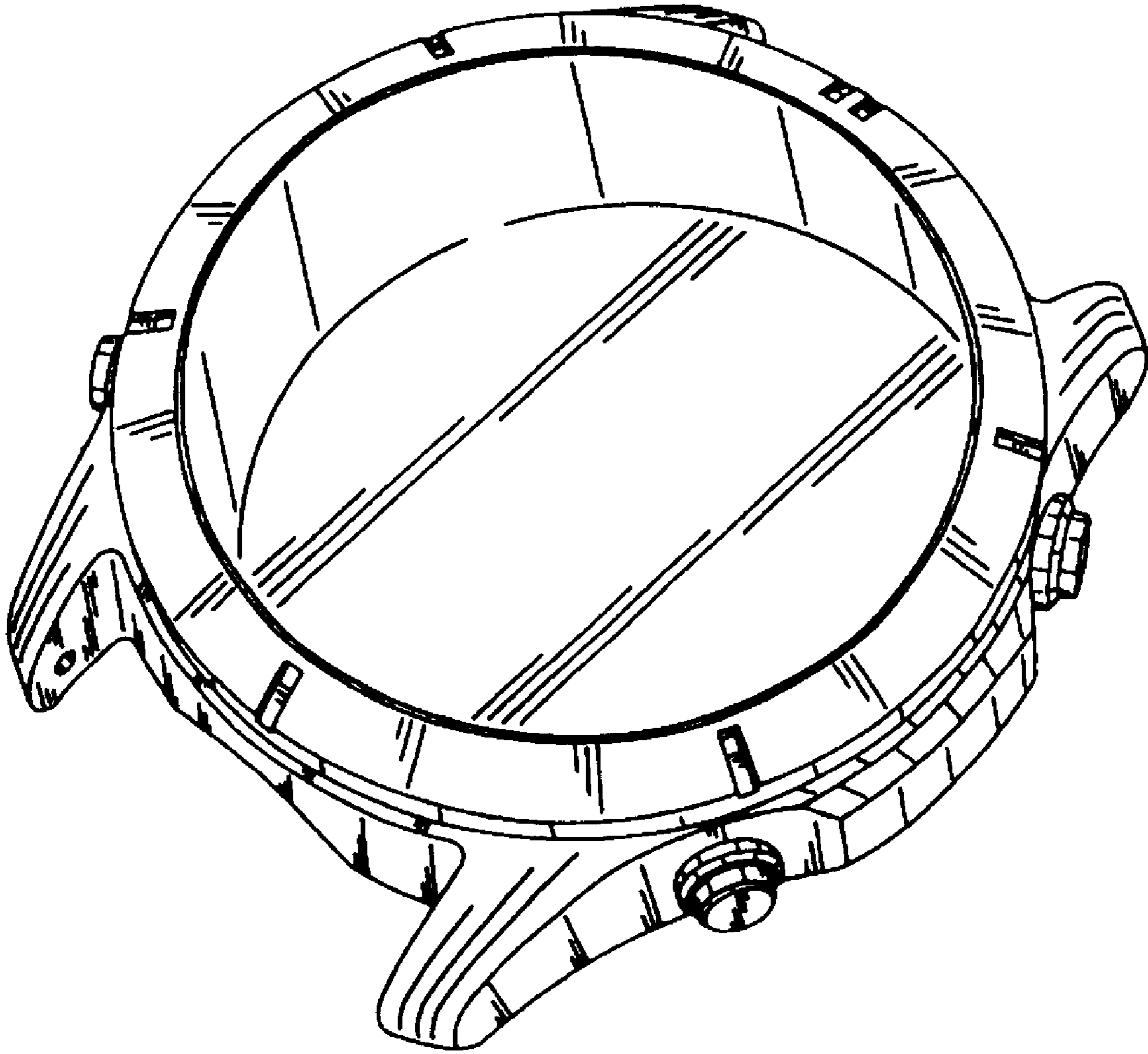


FIG. 1

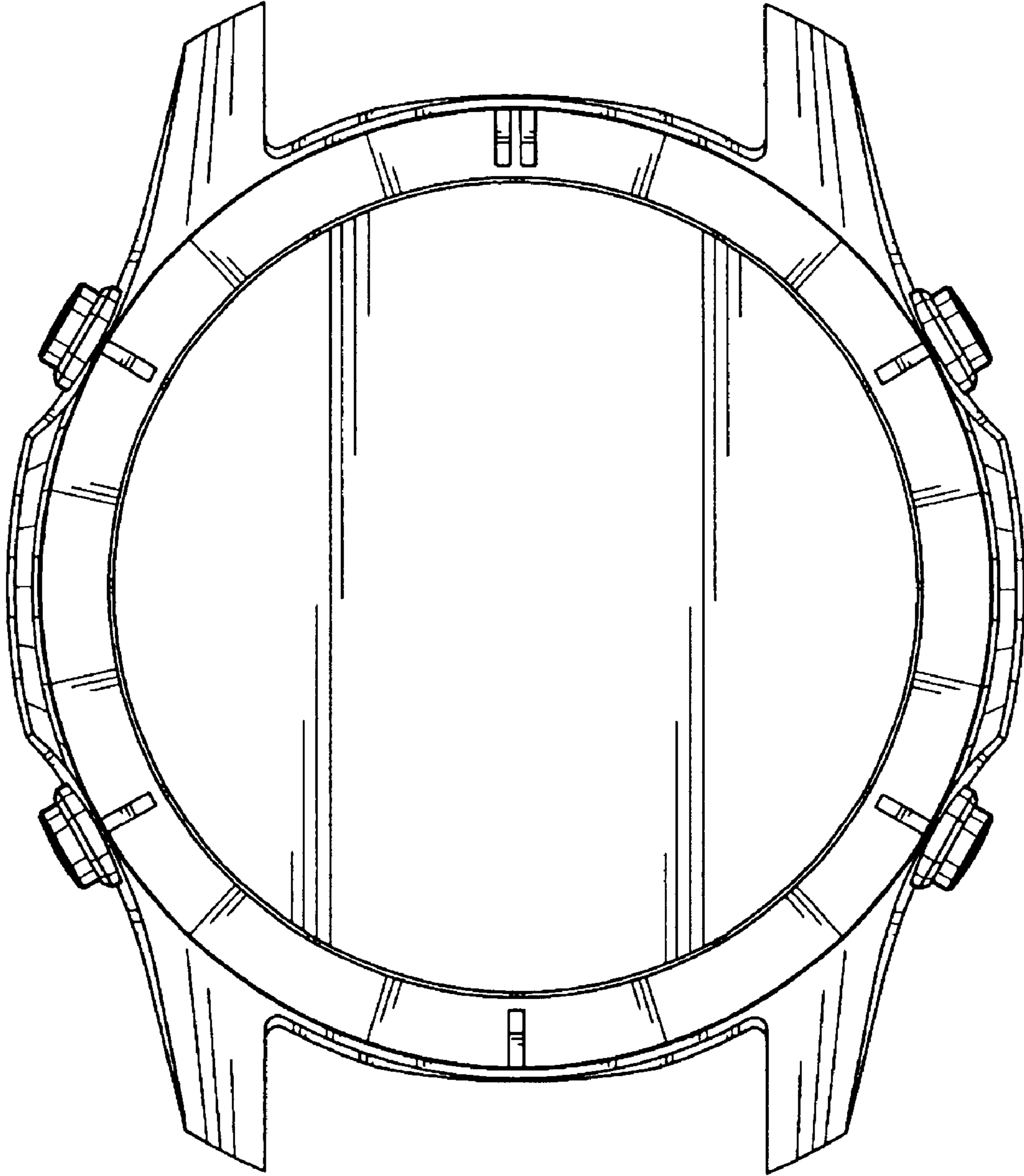


FIG. 2

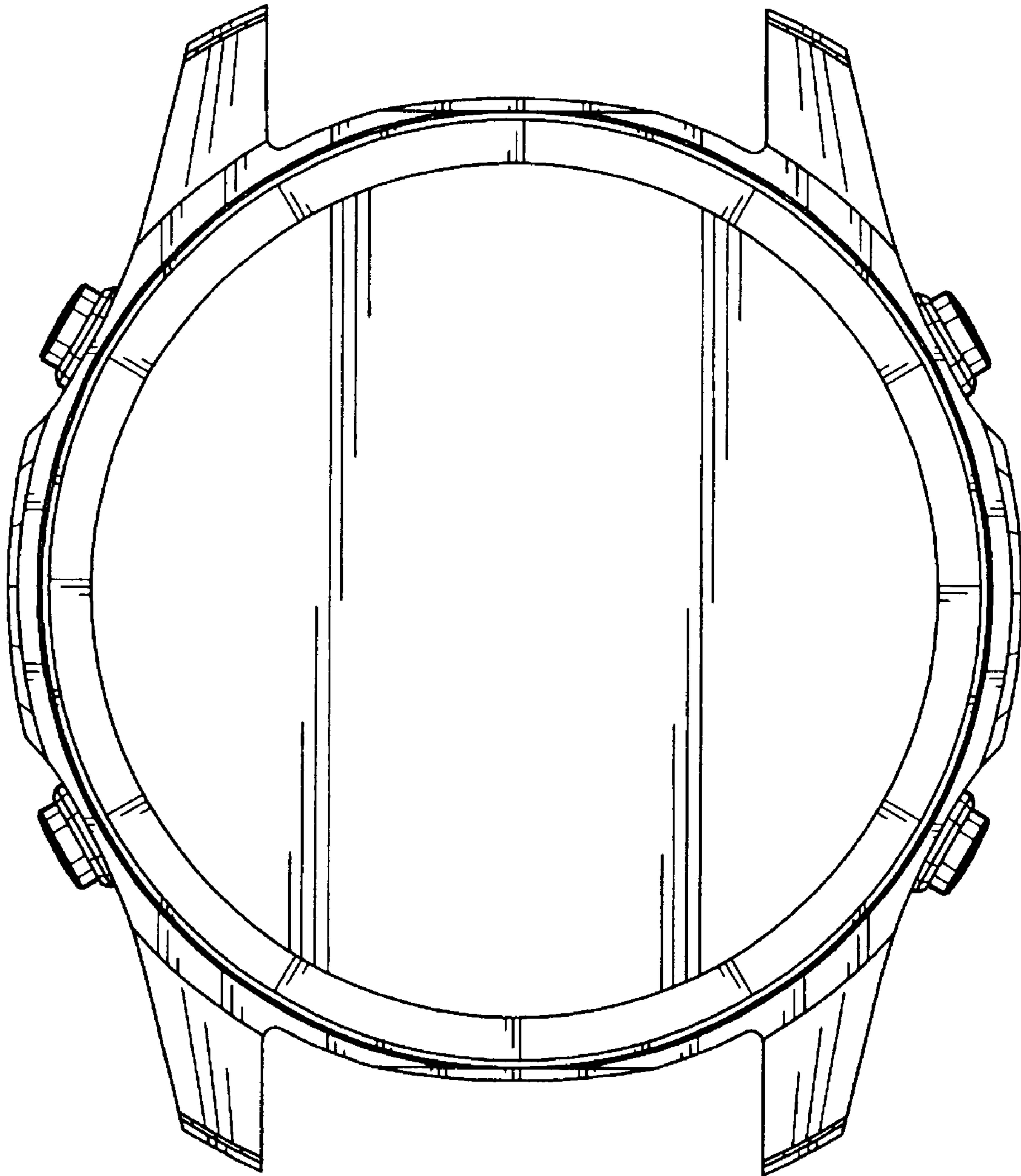


FIG. 3

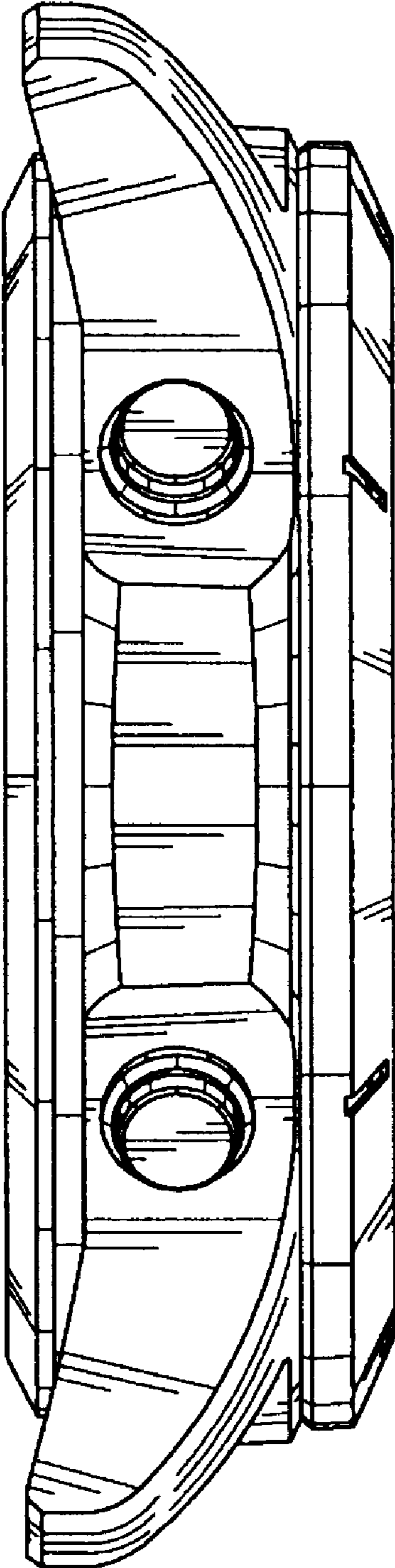


FIG. 4

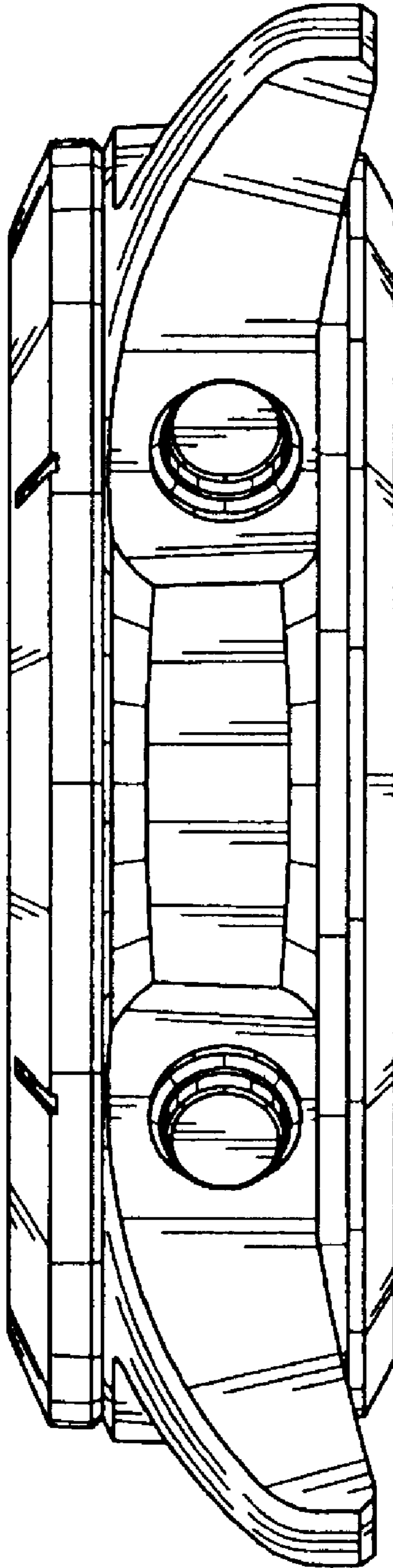


FIG. 5

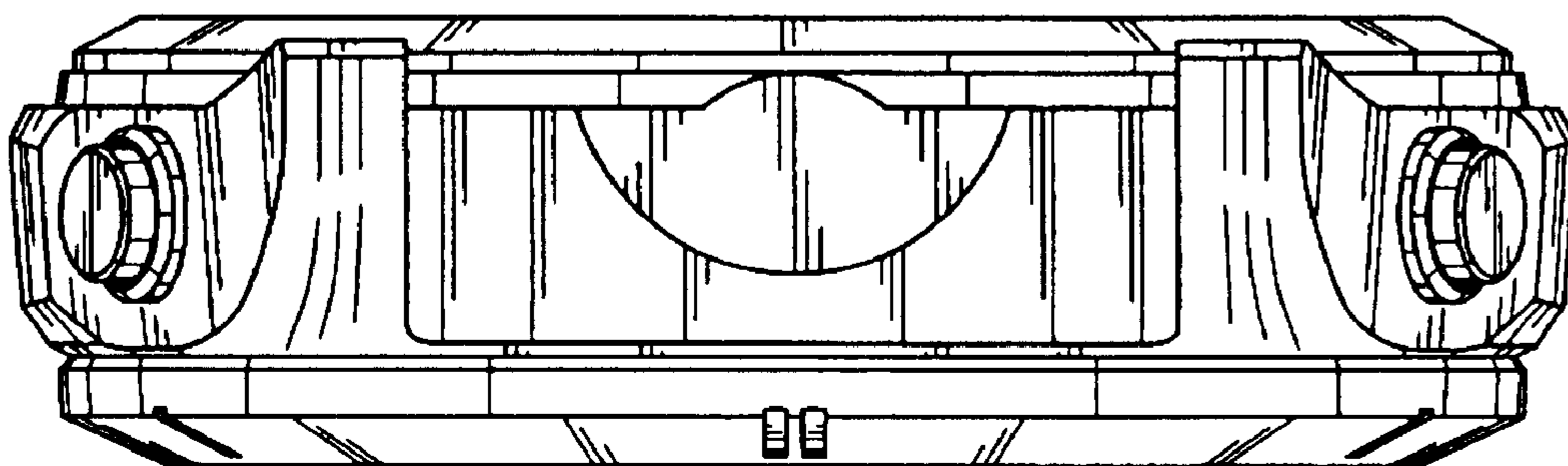


FIG. 6

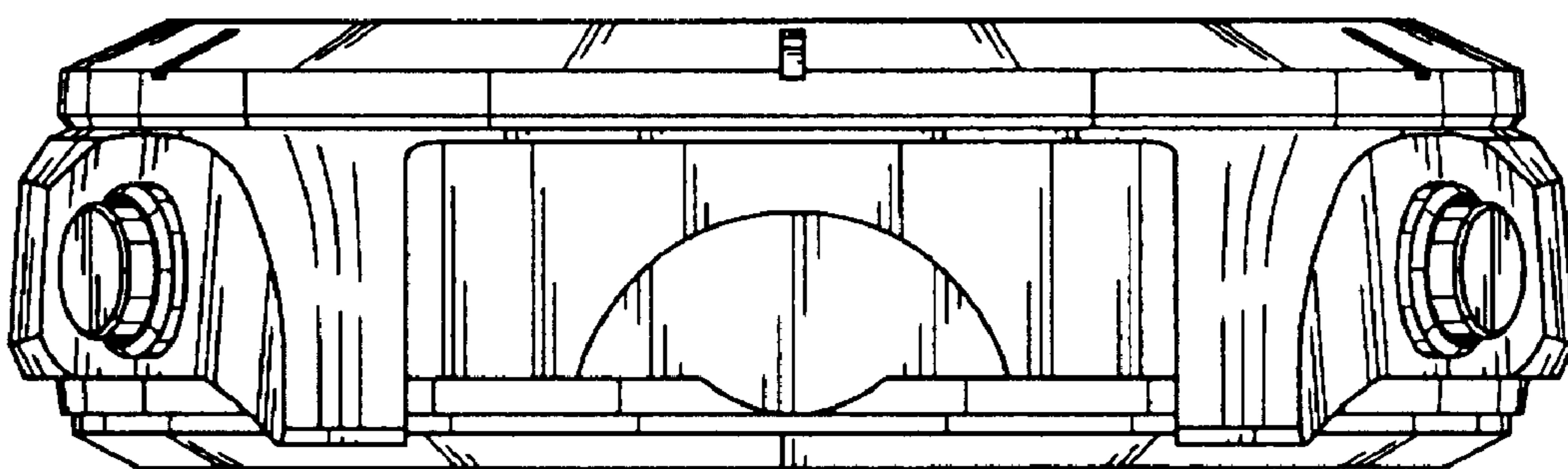


FIG. 7