



US00D536991S

(12) **United States Design Patent**
Dlugolecki

(10) **Patent No.:** **US D536,991 S**

(45) **Date of Patent:** **** Feb. 20, 2007**

(54) **KIT OF CHEMICAL COMPONENT PRODUCTS WITH THE MIXER PLACED IN A TRANSPARENT PACKAGE**

(76) Inventor: **Jacek Dlugolecki**, ul. Grunwaldzka 607 C/4, Gdansk (PL), 80-337

(**) Term: **14 Years**

(21) Appl. No.: **29/223,450**

(22) Filed: **Feb. 15, 2005**

(30) **Foreign Application Priority Data**

Sep. 10, 2004 (PL) P-370024

(51) **LOC (8) Cl.** **09-03**

(52) **U.S. Cl.** **D9/721**

(58) **Field of Classification Search** D9/715, D9/720, 721, 414, 415, 418; D3/201-206.7; 600/6.12, 240; D24/100, 107, 112, 114, 130-133, D24/136, 232; 427/2.28; 128/917, 919; 206/207, 206/216, 527, 823; D28/59; 24/177; D6/300, D6/314

See application file for complete search history.

(56) **References Cited**

U.S. PATENT DOCUMENTS

510,052 A * 12/1893 Vajtay 24/177
D261,479 S * 10/1981 Marks D9/418
D309,527 S * 7/1990 Singer D3/203.1

5,115,816 A * 5/1992 Lee D24/130
D333,347 S * 2/1993 Kemp et al. D24/131
D338,740 S * 8/1993 Nguyen D28/59
D338,957 S * 8/1993 de Faire et al. D24/130
D343,356 S * 1/1994 Wittman D9/415
D368,588 S * 4/1996 Goraleski et al. D6/300
5,518,503 A * 5/1996 Rooney et al. 600/240
D377,687 S * 1/1997 Udovch D24/114
D383,205 S * 9/1997 Pagay et al. D24/112

* cited by examiner

Primary Examiner—Nanda Bondade

Assistant Examiner—Shanda C. Hill

(57) **CLAIM**

The ornamental design for a kit of chemical component products with the mixer placed in a transparent package, as shown and described.

DESCRIPTION

FIG. 1 is a perspective view of a kit of chemical component products with the mixer placed in a transparent package showing my new design;

FIG. 2 is a front elevational view thereof;

FIG. 3 is a rear elevational view thereof;

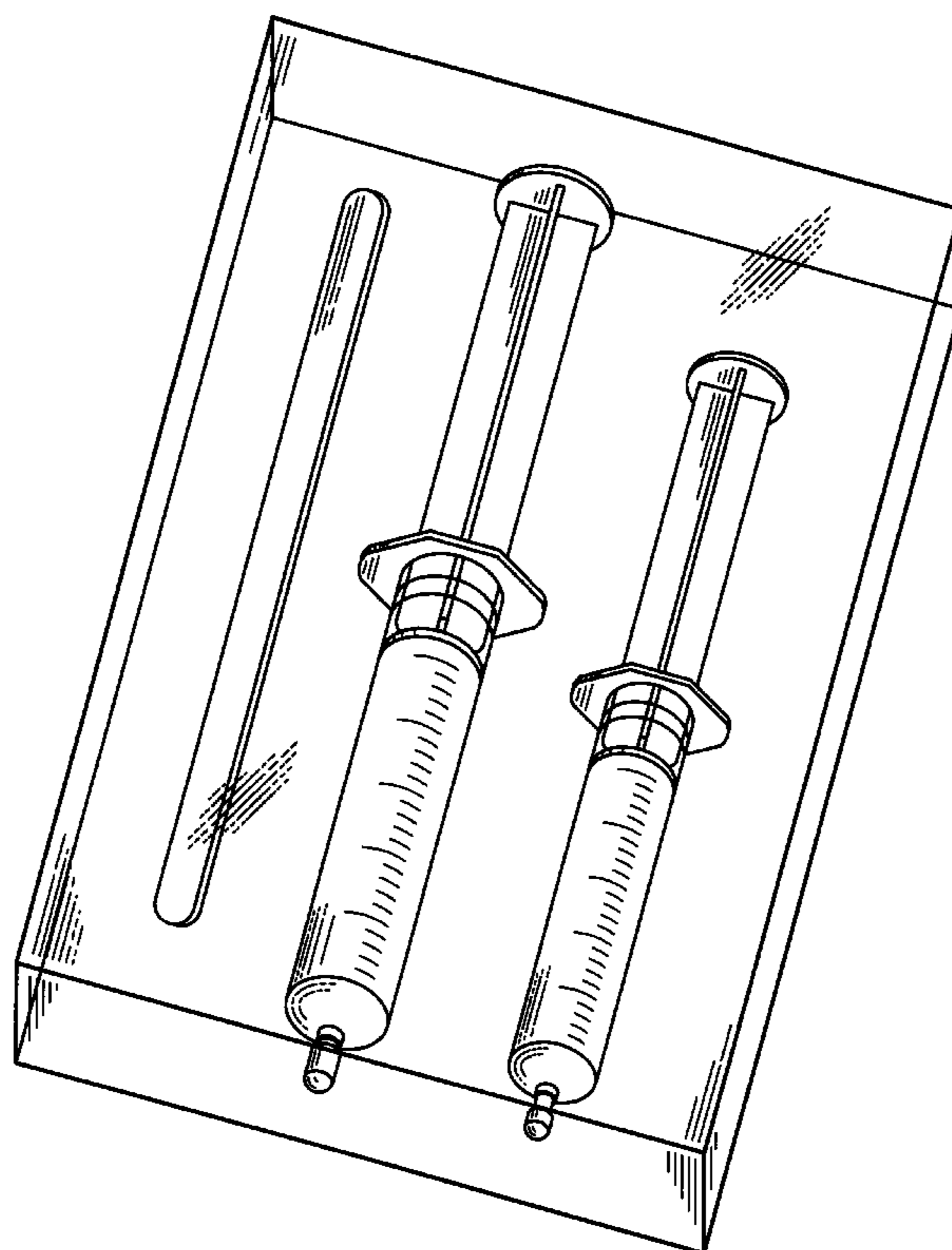
FIG. 4 is a bottom plan view thereof;

FIG. 5 is a top plan view thereof;

FIG. 6 is a left side elevational view thereof; and,

FIG. 7 is a right side elevational view thereof.

1 Claim, 5 Drawing Sheets



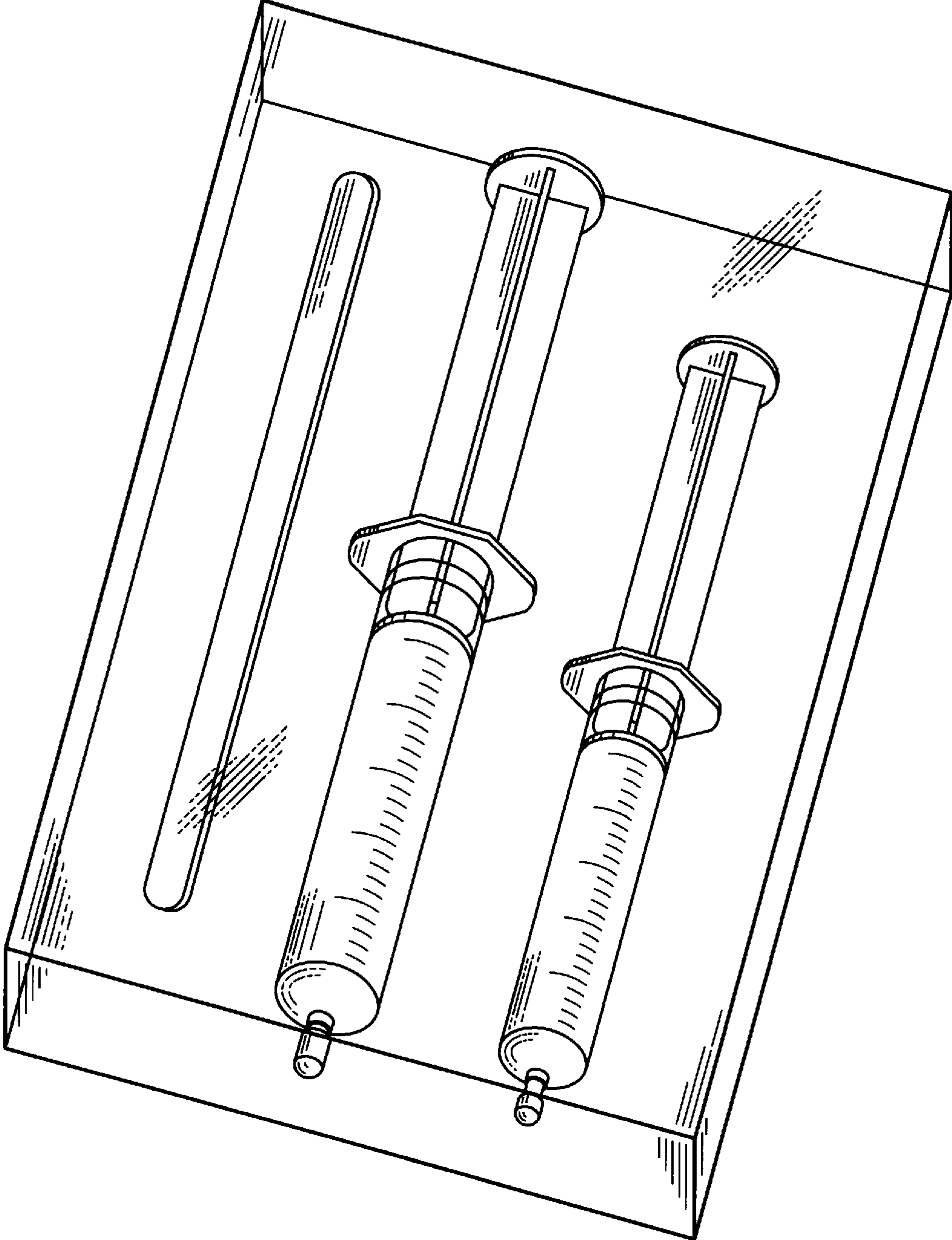


Fig. 1

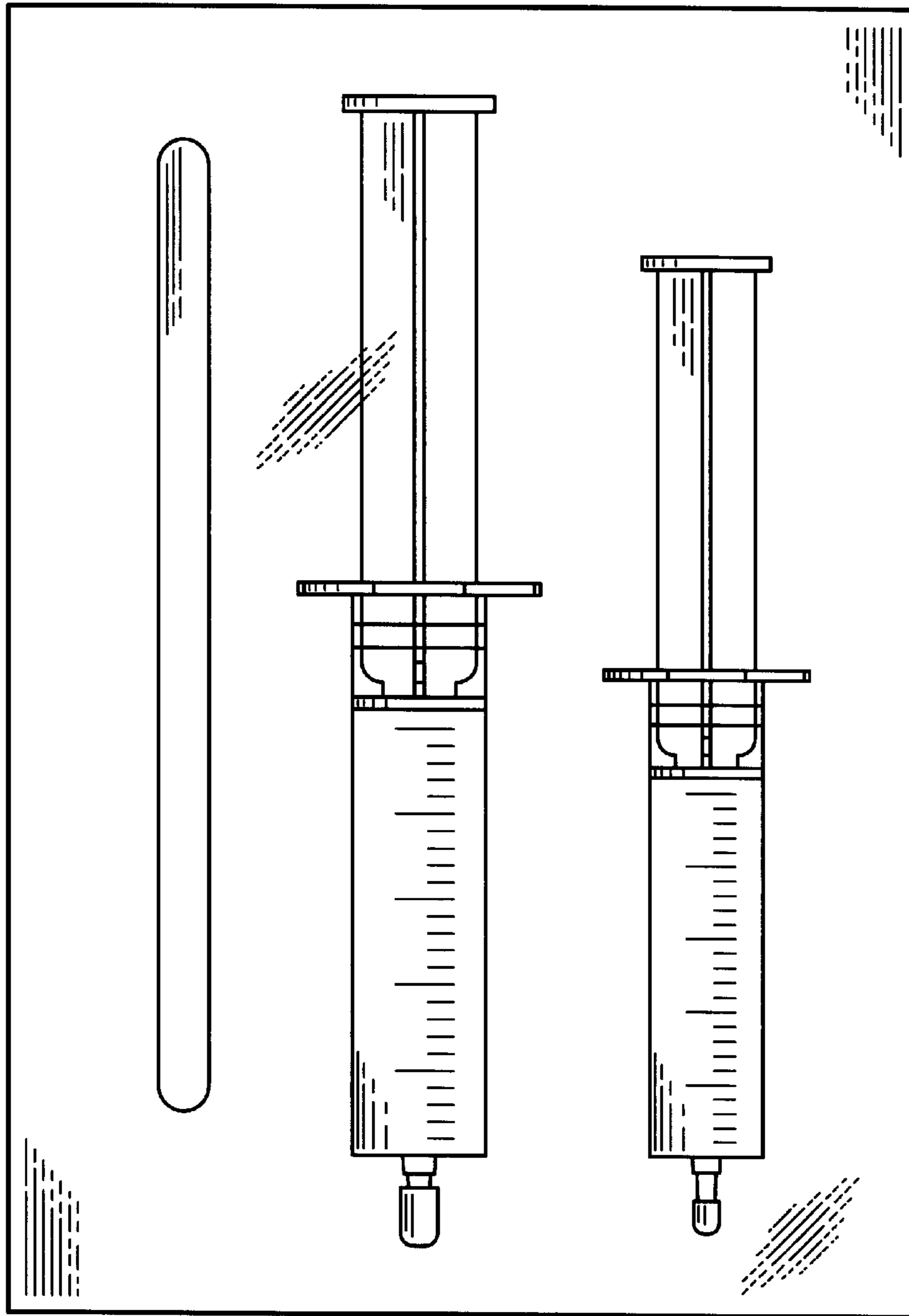


Fig.2

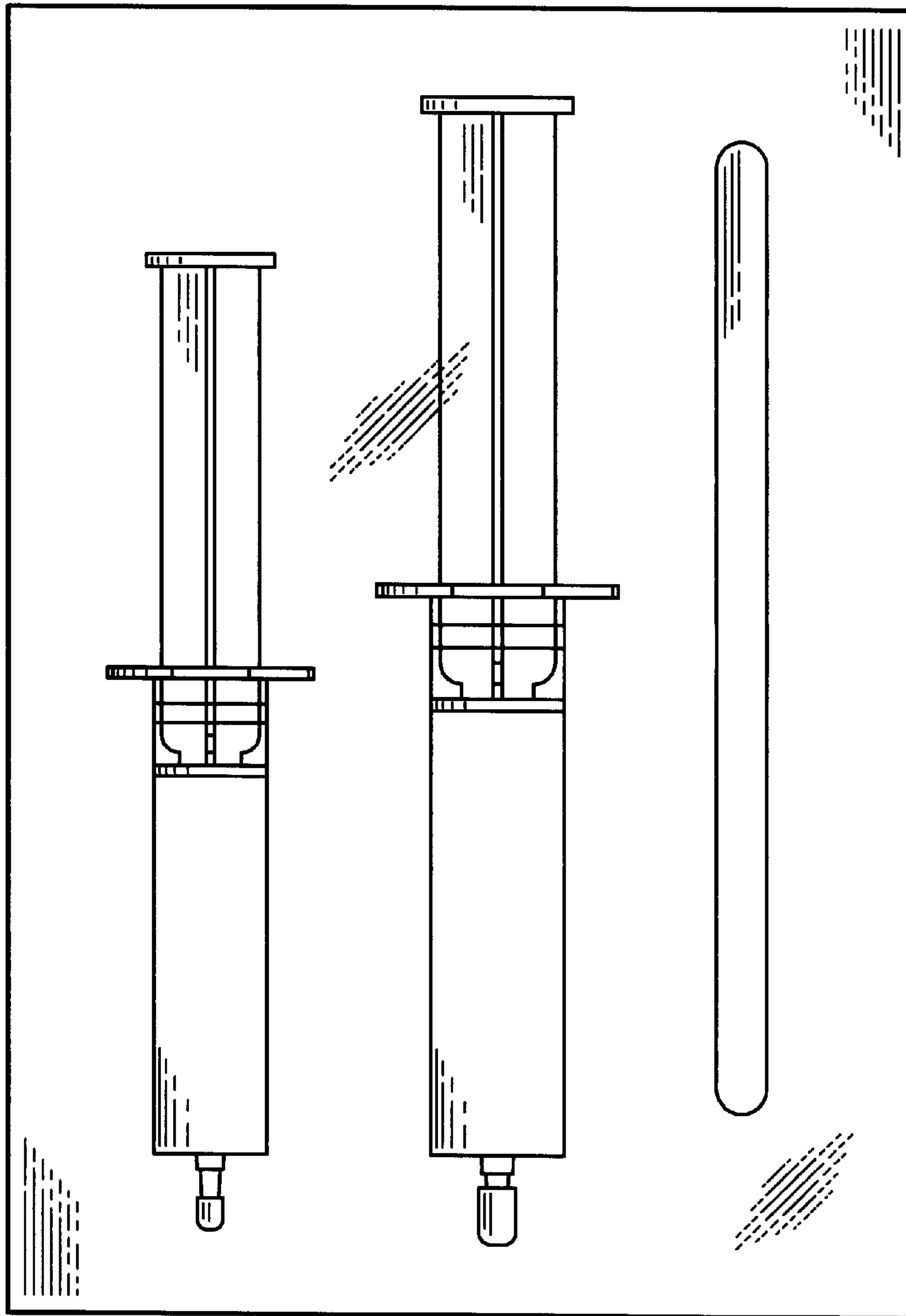


Fig.3

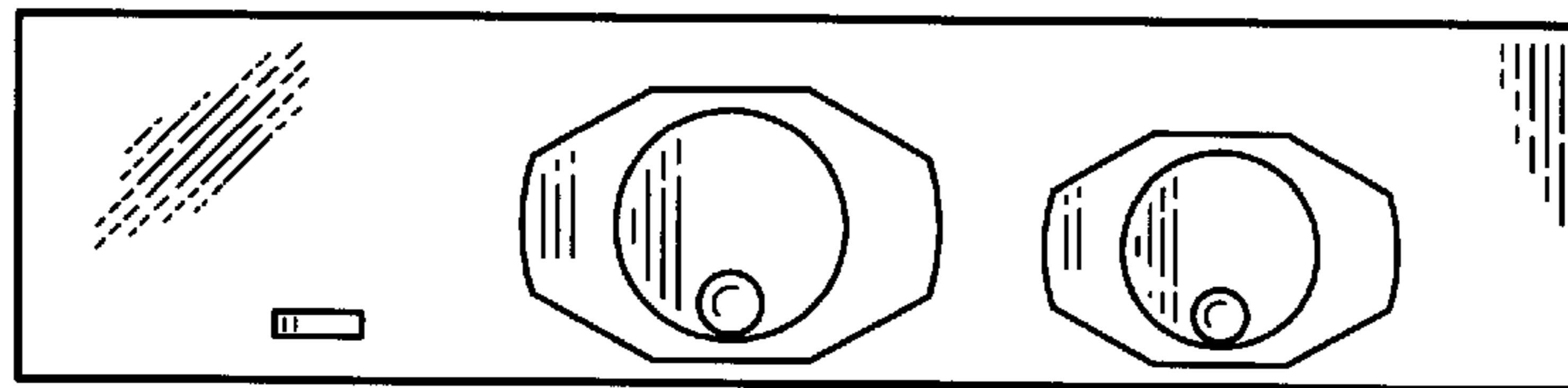


Fig.4

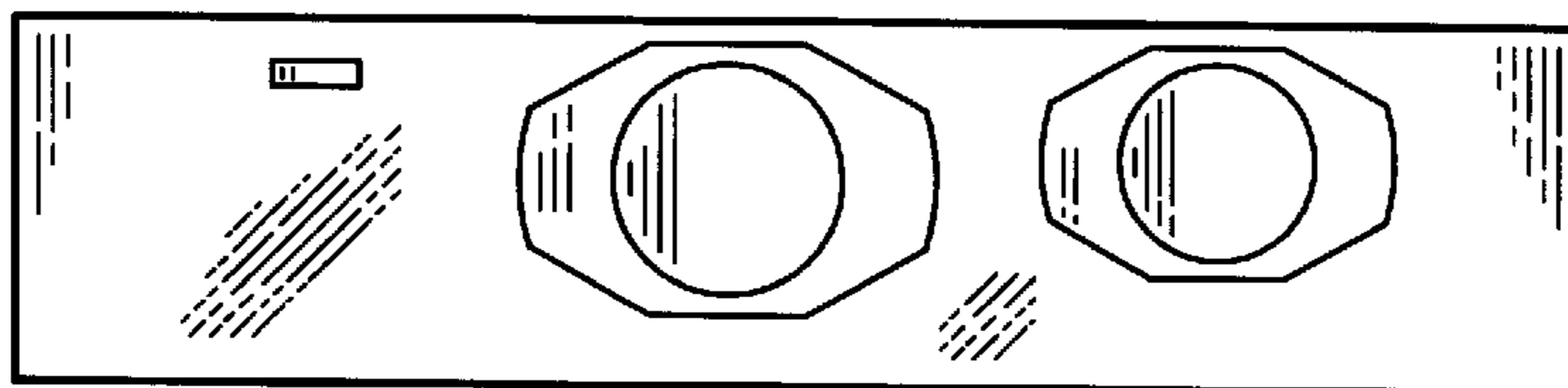


Fig.5

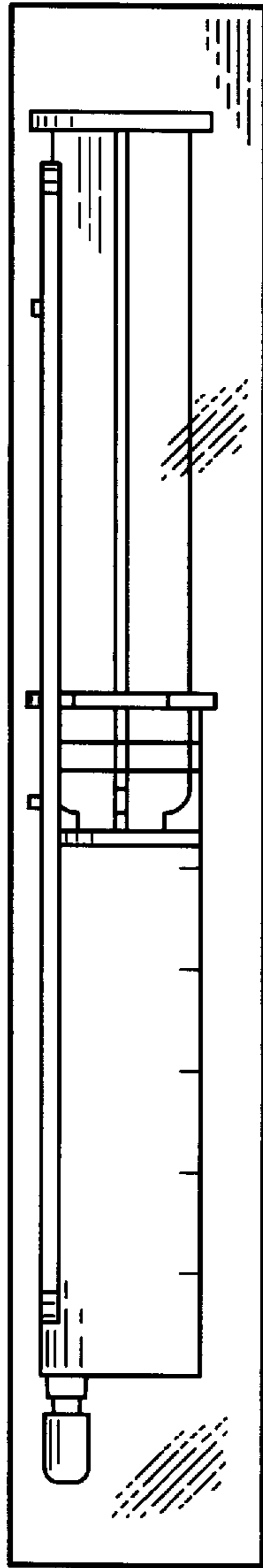


Fig. 6

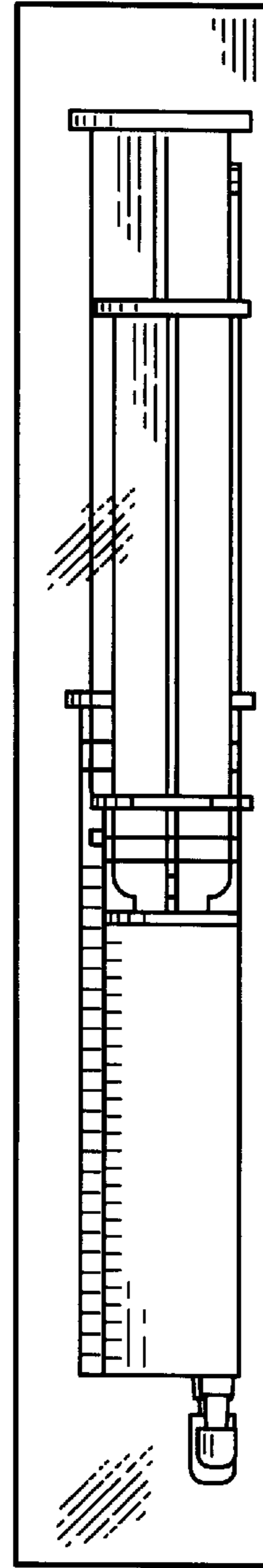


Fig. 7