



US00D536981S

(12) **United States Design Patent**
Toth et al.

(10) **Patent No.: US D536,981 S**

(45) **Date of Patent: ** Feb. 20, 2007**

(54) **CONTAINER**

(75) Inventors: **Mary Toth**, Ann Arbor, MI (US);
Kristin Recchiuti, North Wales, PA
(US); **Leonard Wojnarowicz, Jr.**,
Willow Grove, PA (US); **John D.**
Spano, Bordentown, NJ (US); **Roger A.**
Rinker, Hatfield, PA (US)

(73) Assignee: **McNeil-PPC, Inc.**, Skillman, NJ (US)

(**) Term: **14 Years**

(21) Appl. No.: **29/252,804**

(22) Filed: **Jan. 26, 2006**

Related U.S. Application Data

(62) Division of application No. 29/219,722, filed on Dec. 21,
2004, now Pat. No. Des. 523,344.

(51) **LOC (8) Cl.** **09-01**

(52) **U.S. Cl.** **D9/522**

(58) **Field of Classification Search** D7/612-615,
D7/629; D9/516, 522-523, 529, 530, 542-543,
D9/560, 572-575, 430-432; 215/382-384,
215/396, 398, 400; D3/273; D19/65, 75
See application file for complete search history.

(56) **References Cited**

U.S. PATENT DOCUMENTS

- D109,021 S * 3/1938 Lloyd D9/522
- D255,325 S * 6/1980 Hoyt D9/529 X
- D264,127 S * 4/1982 Peterson D9/523 X
- D273,563 S * 4/1984 Jeans et al. D9/522
- D277,363 S * 1/1985 Drummond et al. D9/522
- D295,021 S * 4/1988 Logsdon D9/523

- D308,480 S * 6/1990 Hoyt D9/572 X
- D309,080 S * 7/1990 Buchholz D9/543
- D328,431 S * 8/1992 Skidmore et al. D9/523
- D334,795 S * 4/1993 Demarest D9/523 X
- D347,479 S * 5/1994 Hansen et al. D24/224
- D355,125 S * 2/1995 Patel et al. D9/522
- D355,126 S * 2/1995 Paulovich et al. D9/522

FOREIGN PATENT DOCUMENTS

GB 3019104 * 11/2004

* cited by examiner

Primary Examiner—Carol Rademaker

(74) *Attorney, Agent, or Firm*—Michele G. Mangini

(57) **CLAIM**

The ornamental design for a container, as shown and described.

DESCRIPTION

FIG. 1 is a perspective view of a first embodiment of the container of our new design as seen from the top, front, and left side;

FIG. 2 is a perspective view of a second embodiment of the container of our new design as seen from the top, front, and left side;

FIG. 3 is a perspective view of a third embodiment of the container of our new design as seen from the top, front, and left side; and,

FIG. 4 is a perspective view of a fourth embodiment of the container of our new design as seen from the top, front, and left side.

The broken lines shown in the drawings are for environmental purposes only and form no part of the claimed design.

1 Claim, 4 Drawing Sheets

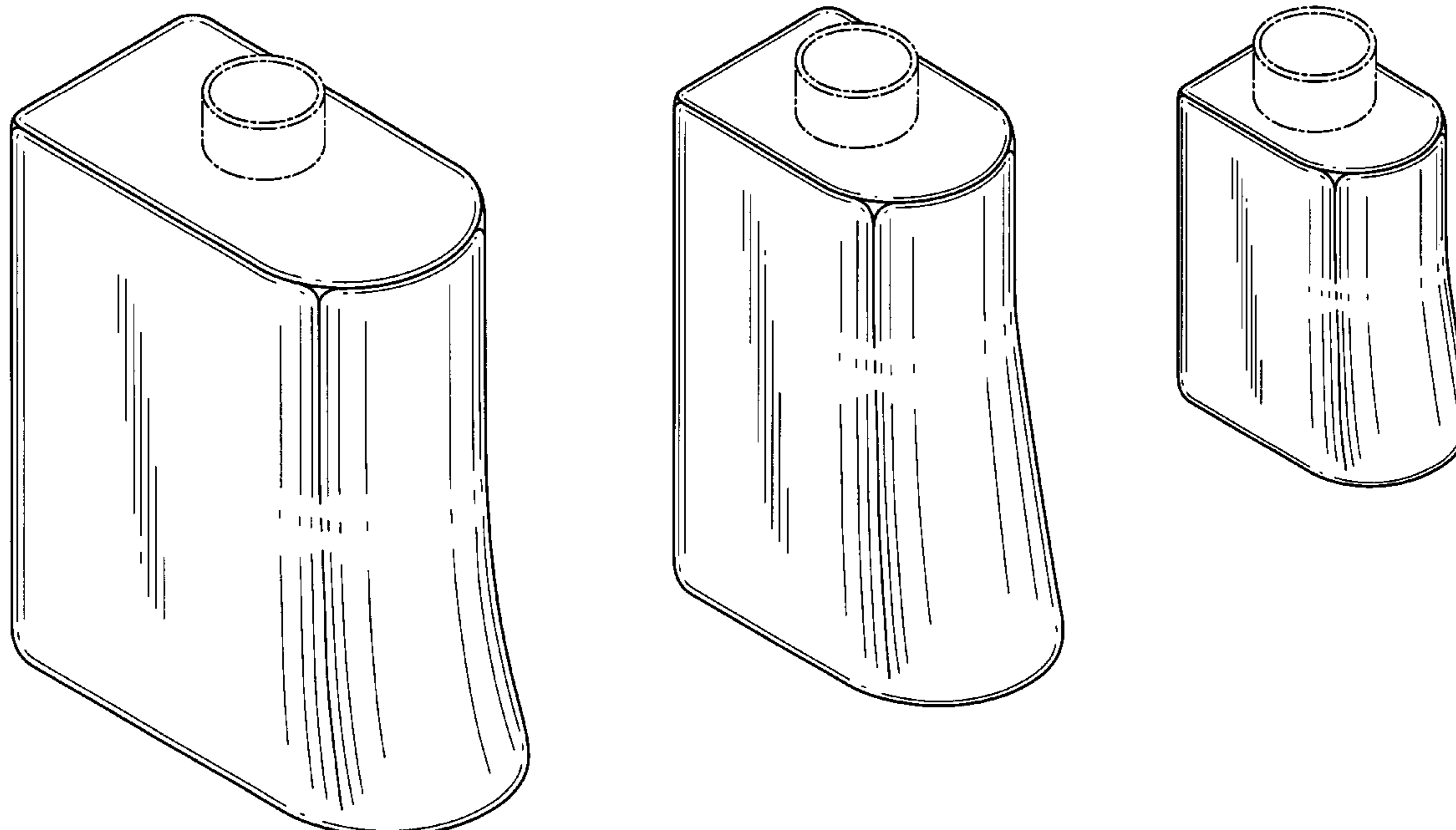


FIG. 1

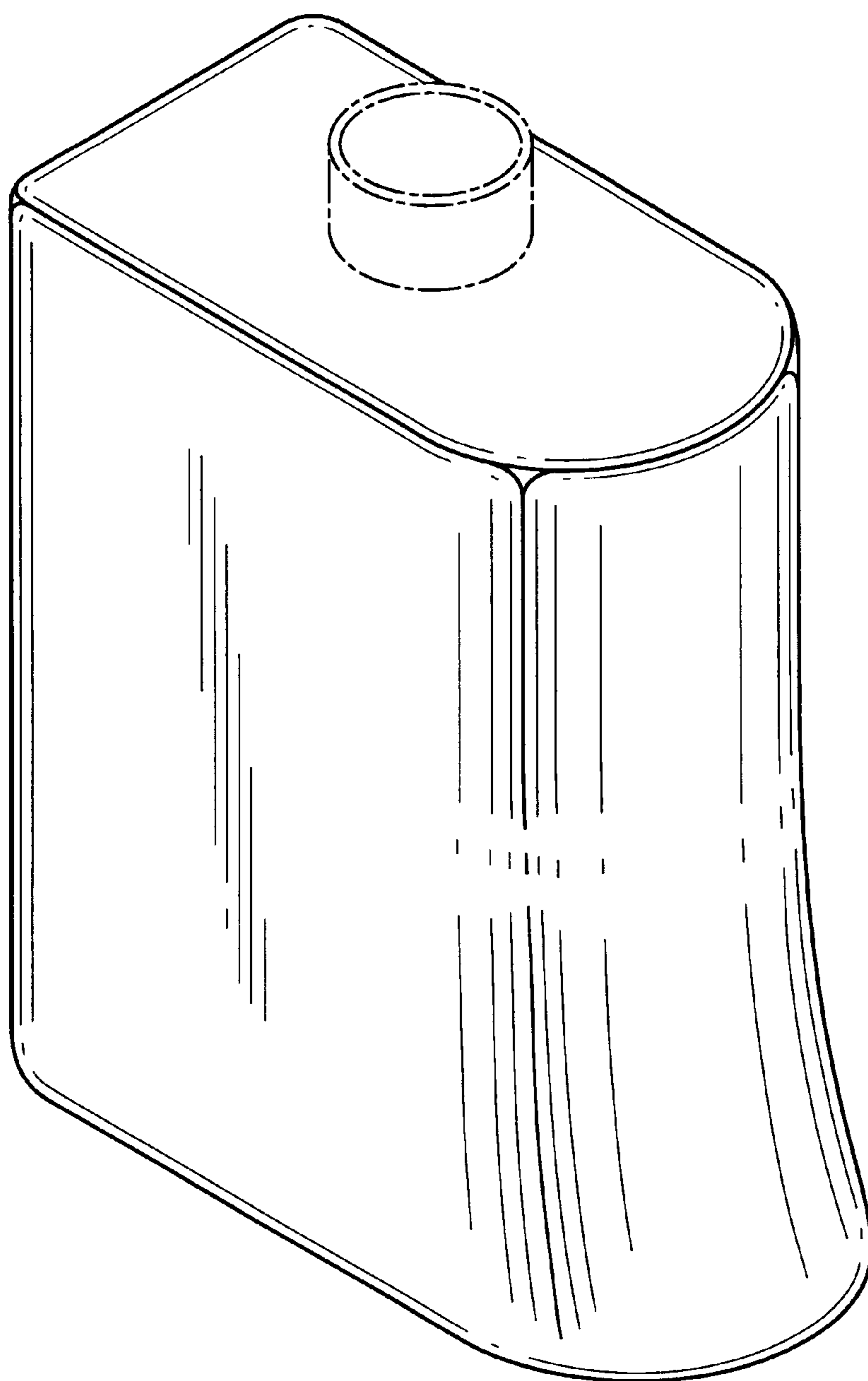


FIG. 2

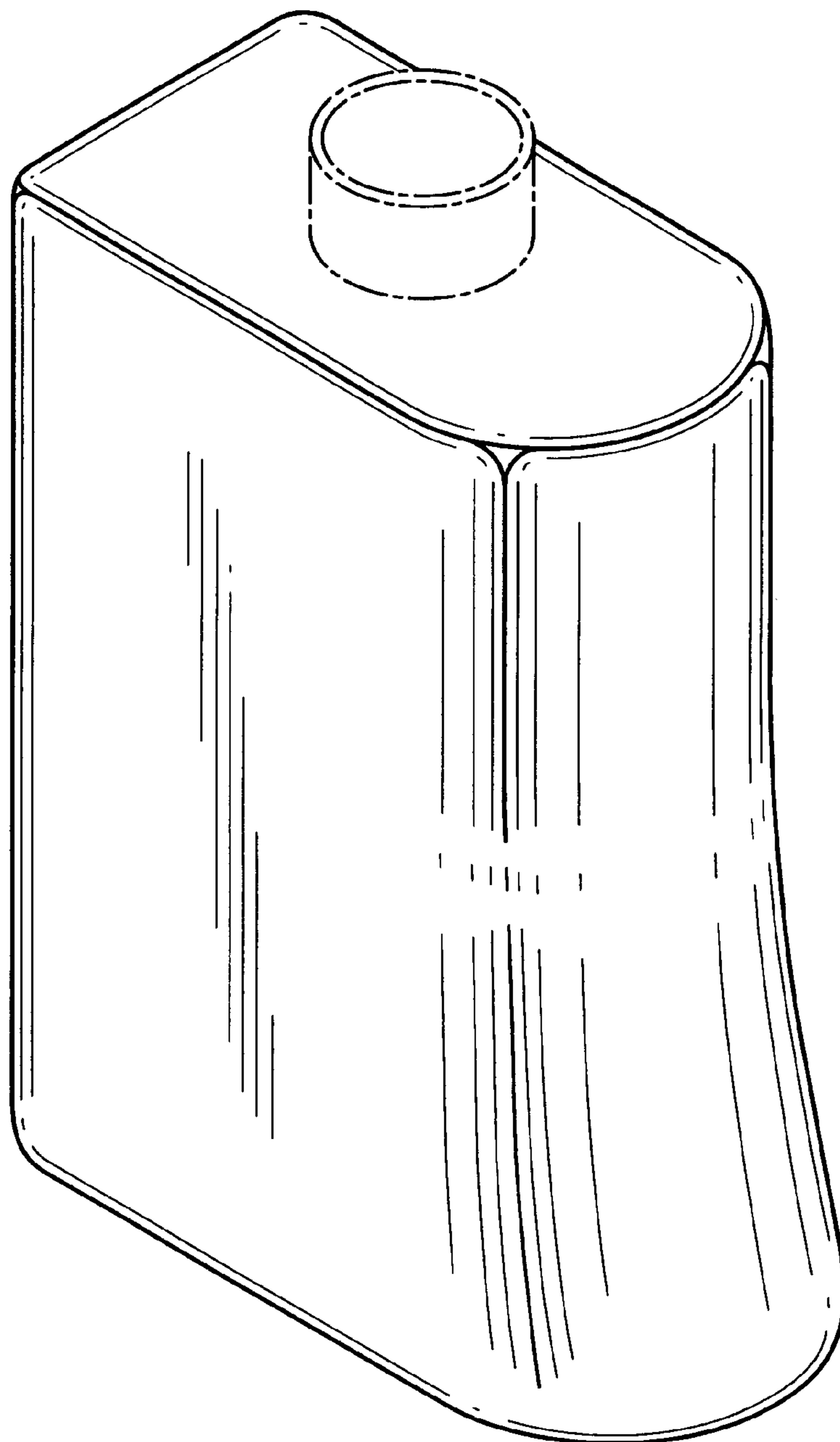


FIG. 3

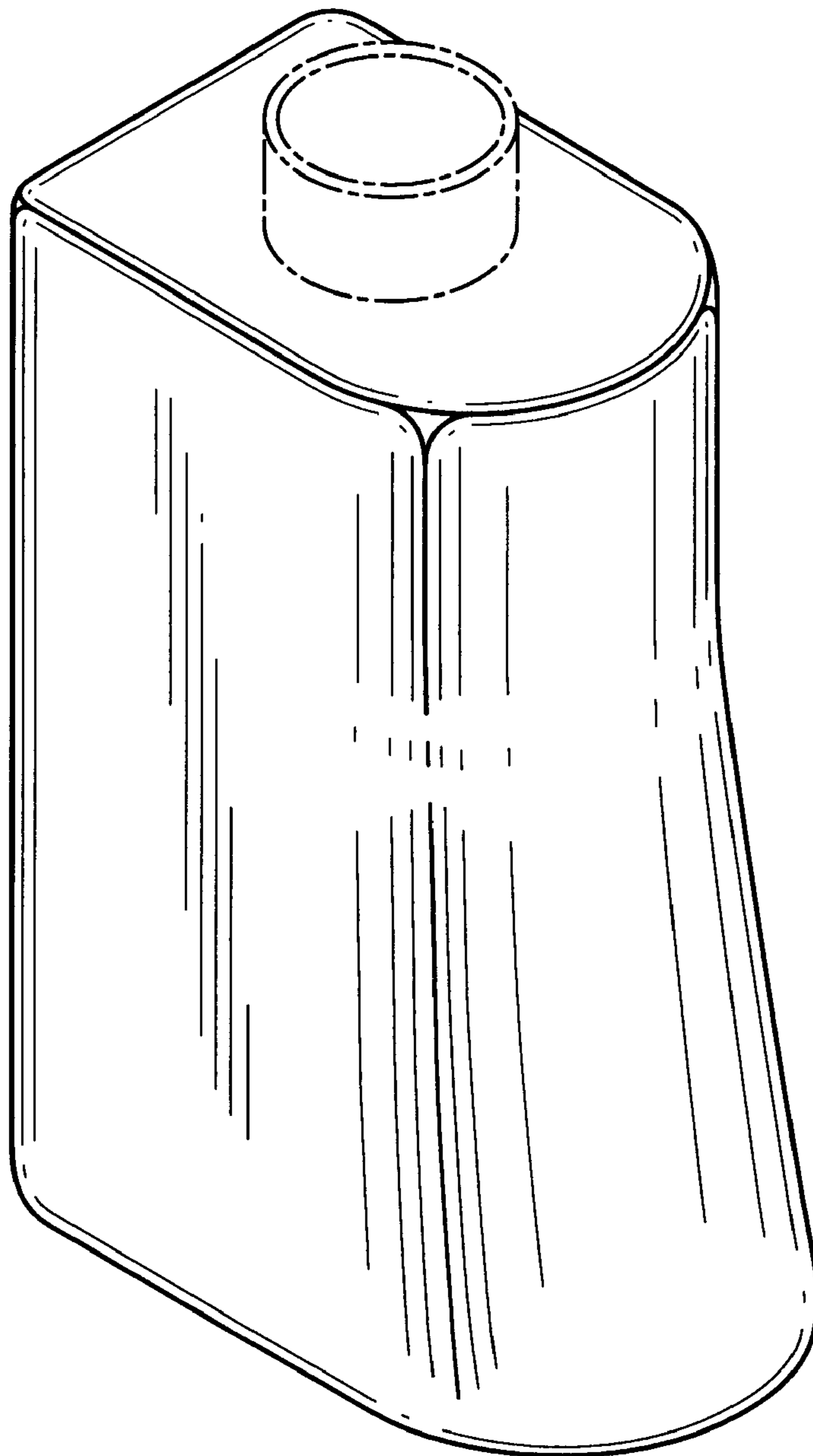


FIG. 4

