



US00D536975S

(12) **United States Design Patent** (10) **Patent No.:** **US D536,975 S**
Smith et al. (45) **Date of Patent:** **** Feb. 20, 2007**

(54) **CLOSURE**

(75) Inventors: **Kelly A. Smith**, East Troy, WI (US);
Alan P. Hickok, Waukesha, WI (US);
Andrew J. Brunner, Brookfield, WI (US)

(73) Assignee: **Seaquist Closures Foreign, Inc.**,
Crystal Lake, IL (US)

(**) Term: **14 Years**

(21) Appl. No.: **29/243,152**

(22) Filed: **Nov. 18, 2005**

(51) **LOC (8) Cl.** **09-07**

(52) **U.S. Cl.** **D9/449; D9/454; D9/435**

(58) **Field of Classification Search** D9/544,
D9/529, 521, 518, 454, 453, 449, 447, 446,
D9/444, 440, 438, 435, 434; D7/511; 222/562,
222/556, 544; 220/288; 215/316, 235, 200
See application file for complete search history.

(56) **References Cited**

U.S. PATENT DOCUMENTS

D463,280 S * 9/2002 Brozell D9/449
6,631,820 B2 * 10/2003 Harrold et al. 215/237

D517,916 S * 3/2006 Satt D9/449
D521,866 S * 5/2006 Hicks et al. D9/449
D524,650 S * 7/2006 Sitomer D9/449
D526,564 S * 8/2006 Slavin et al. D9/454
2004/0065697 A1 * 4/2004 DeGroot et al. 222/556
2006/0191933 A1 * 8/2006 Hicks et al. 220/254.3
2006/0191948 A1 * 8/2006 Wisniewski et al. 220/831

* cited by examiner

Primary Examiner—Robert M. Spear

Assistant Examiner—Susan Bennett Hattan

(74) *Attorney, Agent, or Firm*—Wood, Phillips, Katz, Clark
& Mortimer

(57) **CLAIM**

The ornamental design for a closure, as shown and described.

DESCRIPTION

FIG. 1 is a front isometric view of a closure showing our new design;

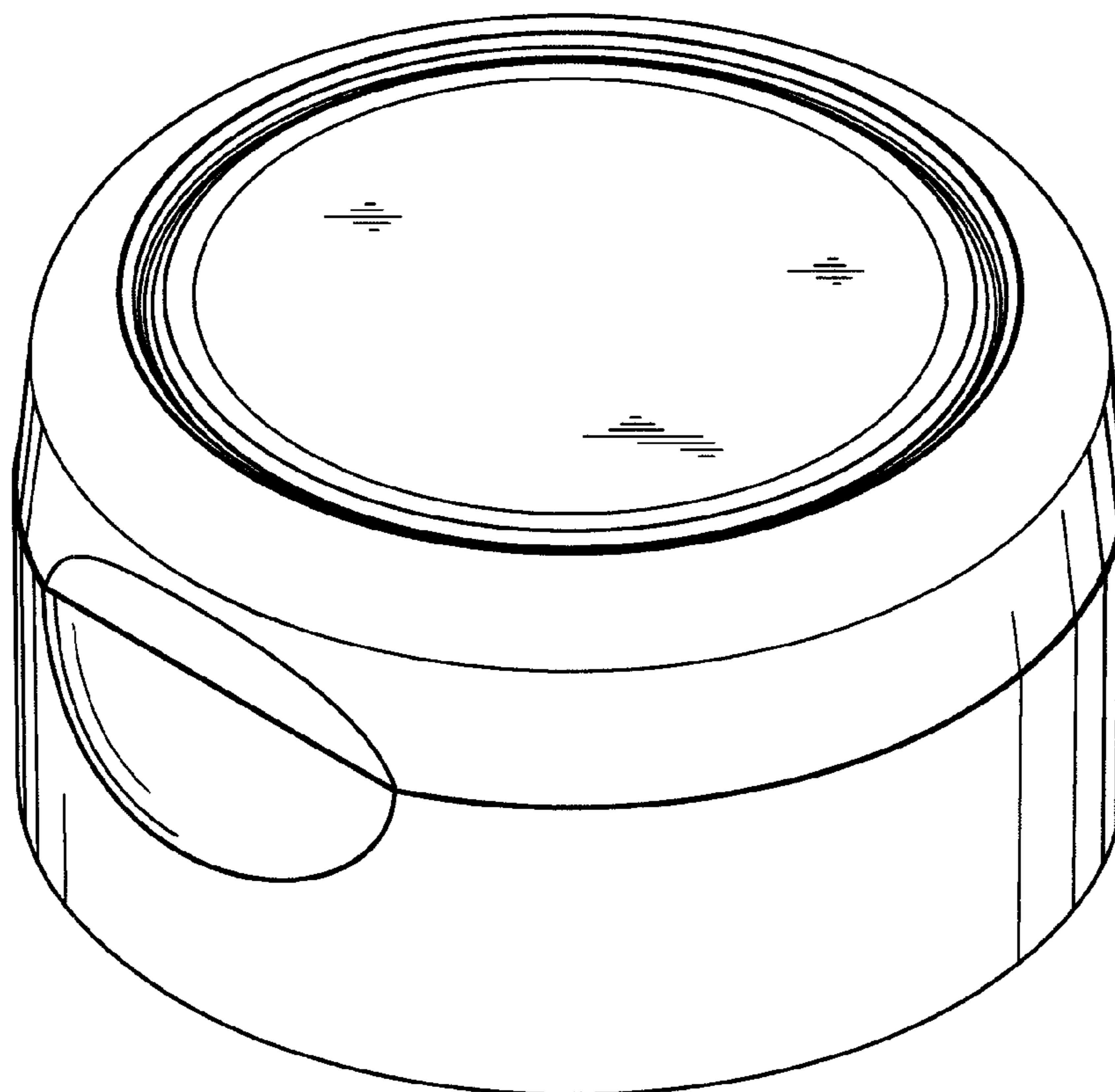
FIG. 2 is a top view thereof;

FIG. 3 is a front elevational view thereof;

FIG. 4 is a rear elevational view thereof; and,

FIG. 5 is a left right side elevational view thereof, the left side elevational view thereof being a mirror image.

1 Claim, 4 Drawing Sheets



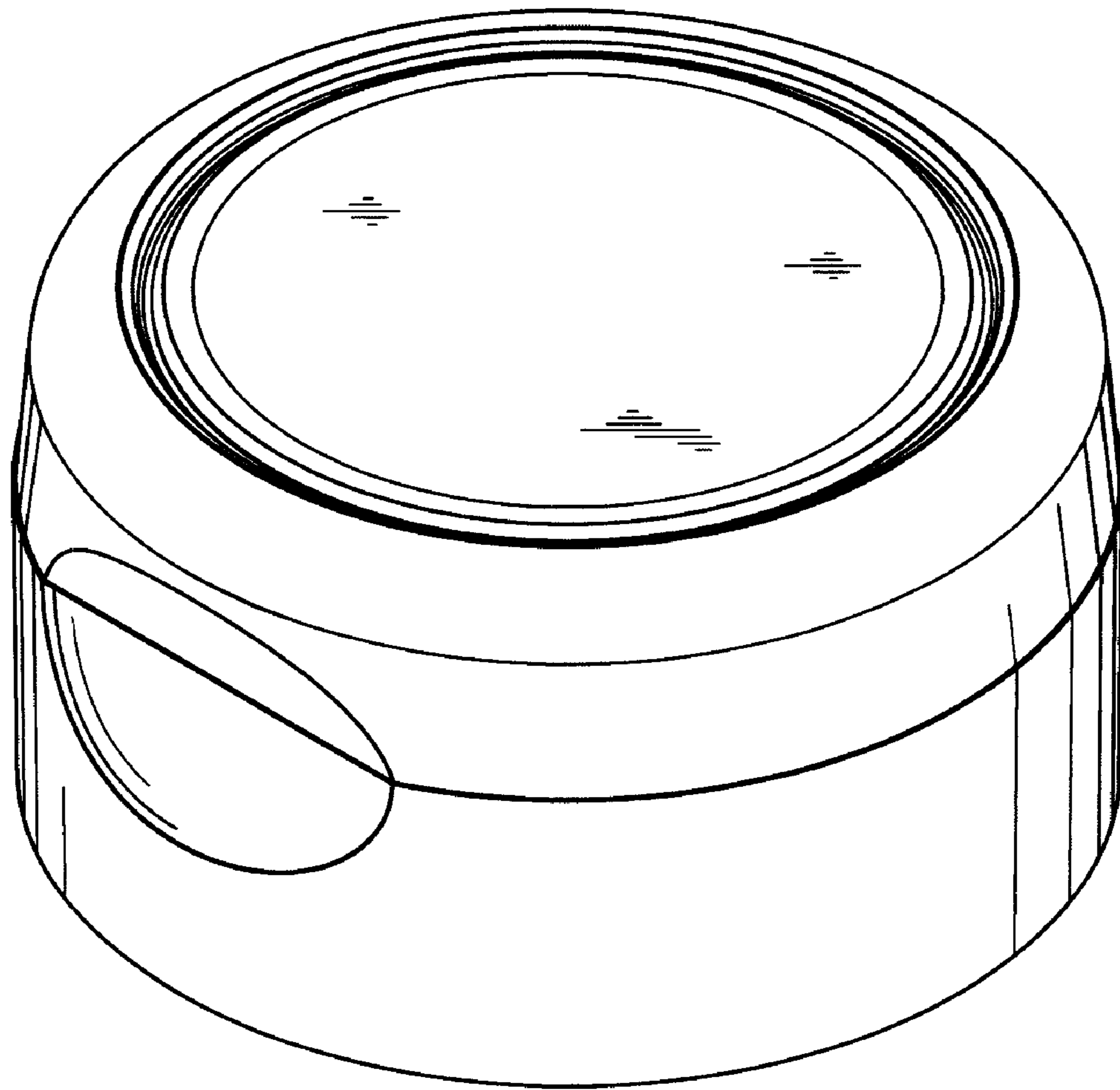


FIG. 1

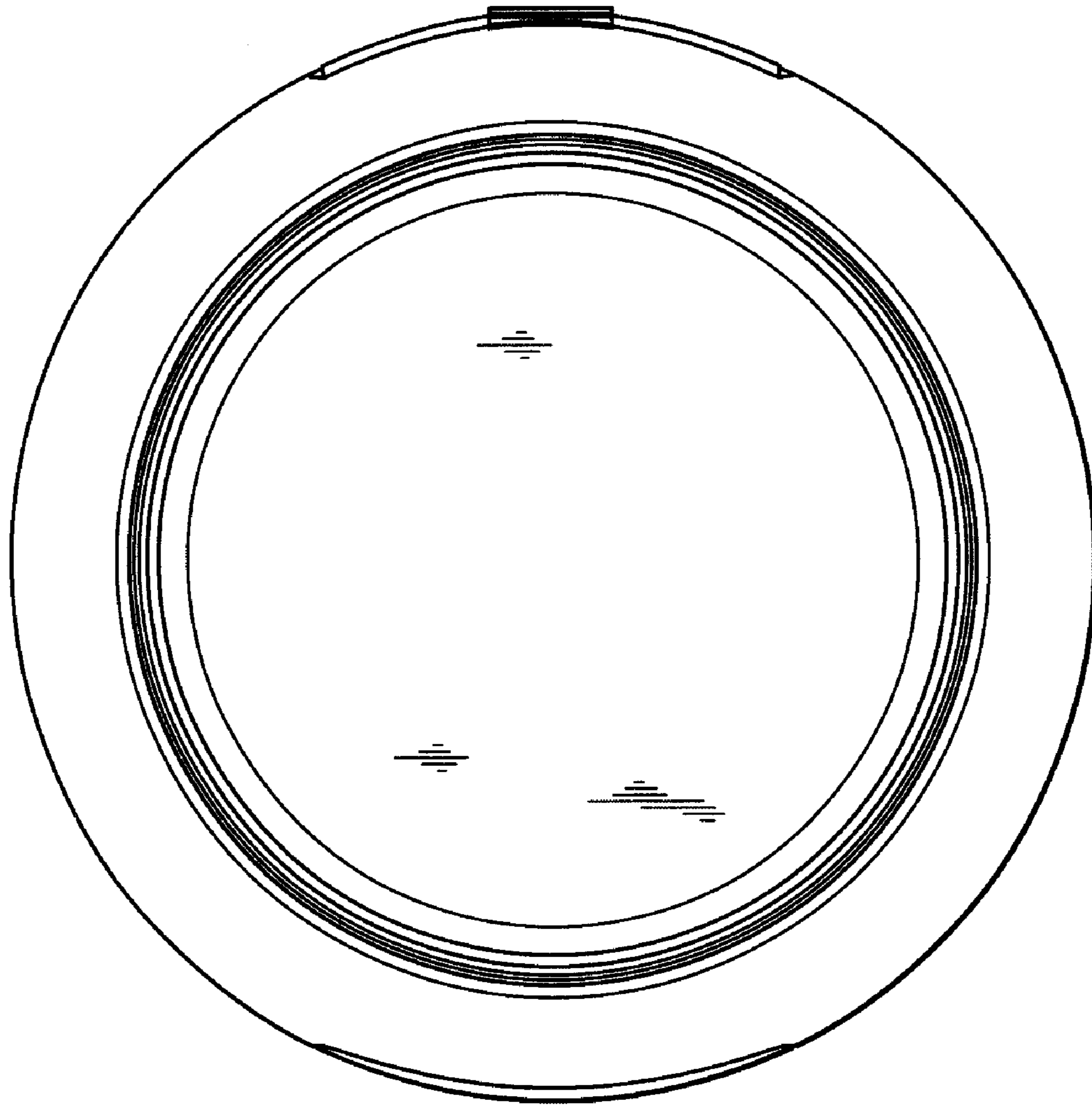


FIG. 2

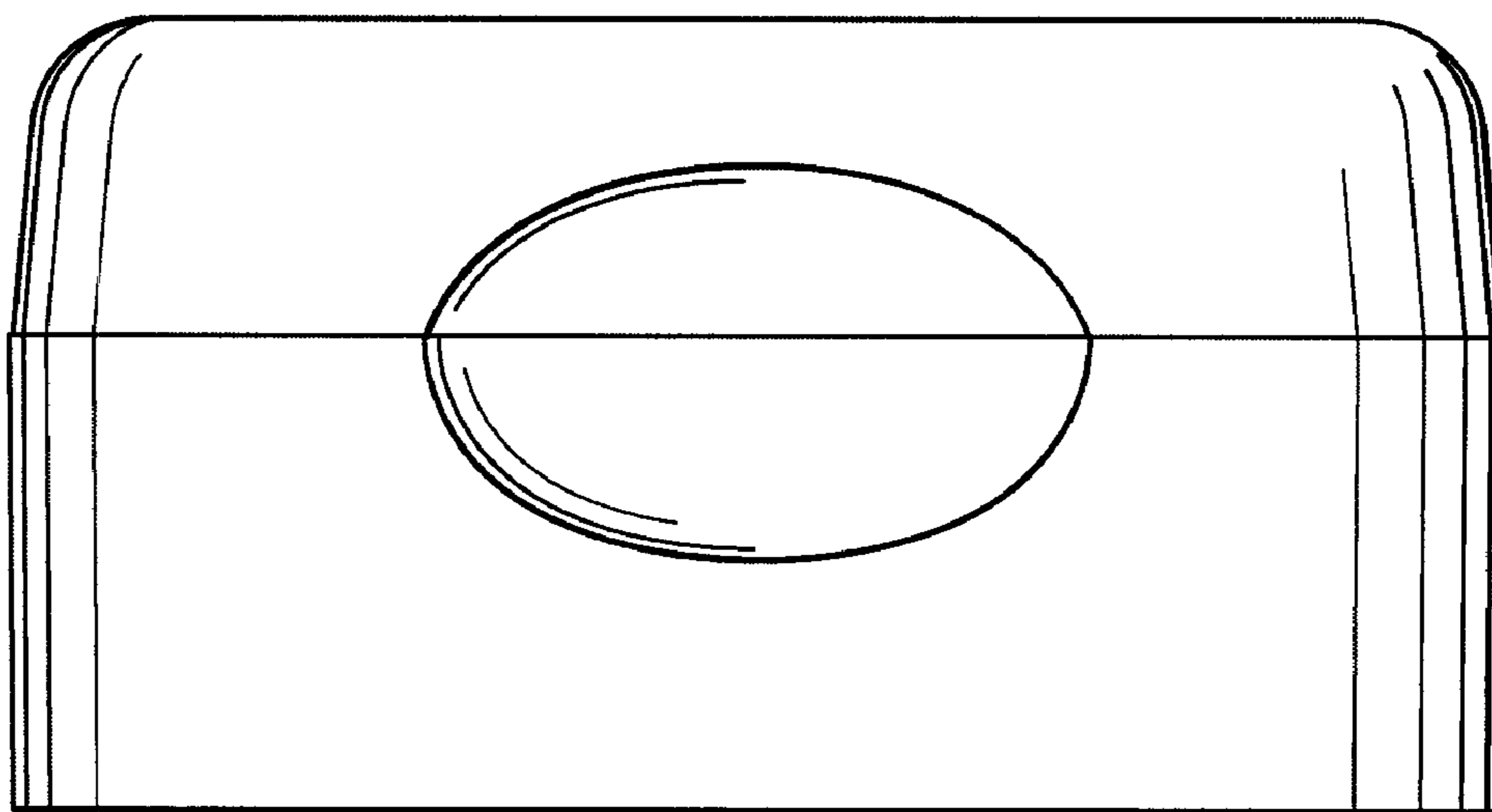


FIG. 3

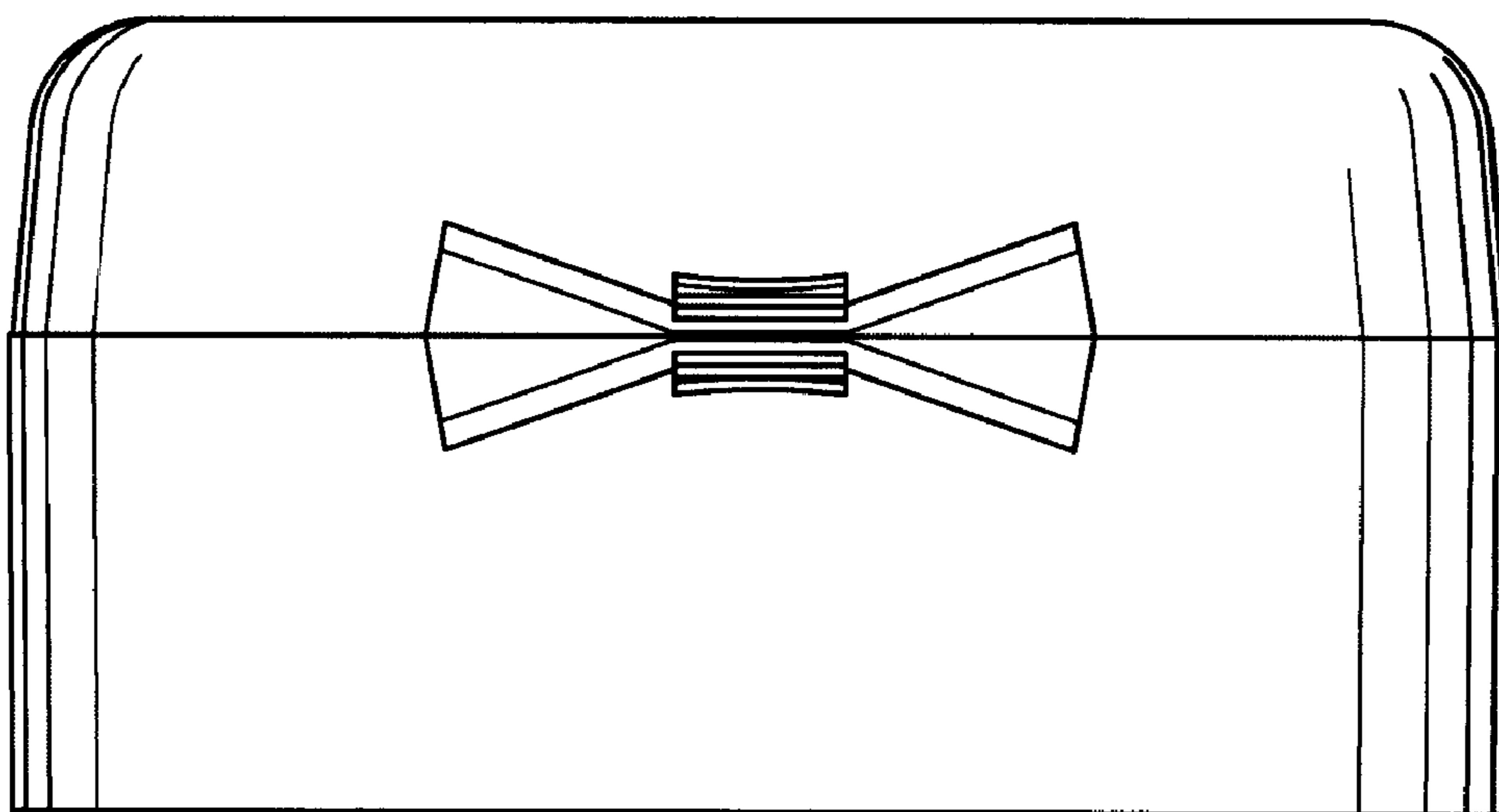


FIG. 4

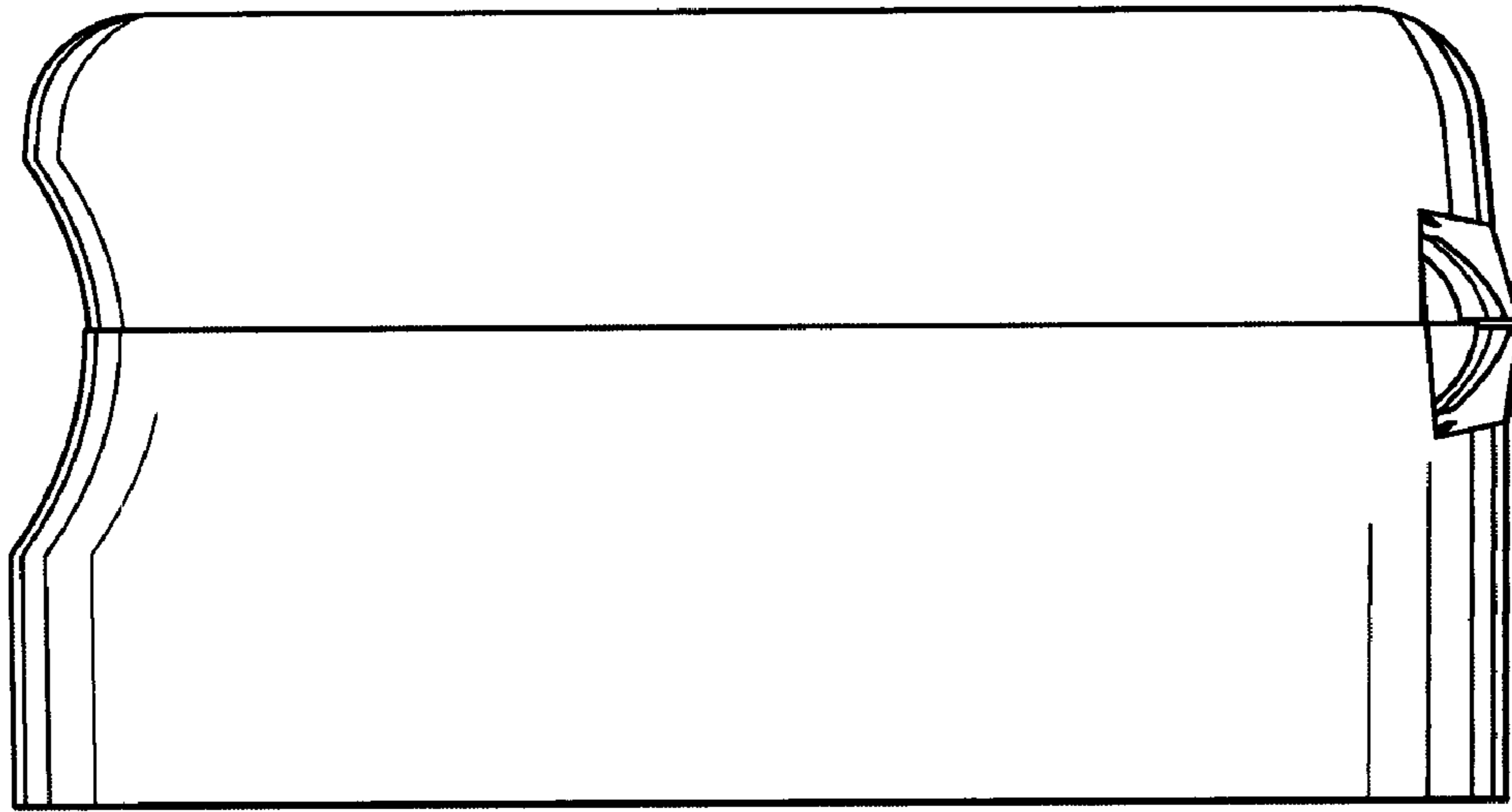


FIG. 5