



US00D536973S

(12) **United States Design Patent**  
**van der Heijden et al.**

(10) **Patent No.:** **US D536,973 S**

(45) **Date of Patent:** **\*\* Feb. 20, 2007**

(54) **DISPENSER FOR LIQUID SOAP**  
(75) Inventors: **Edgar van der Heijden**, Langedijk  
(NL); **Marcus Cornelis Jacobus Tepas**,  
Callantsoog (NL); **Peter Jozef Jan**  
**Albertz**, Haarlem (NL)

D398,529 S 9/1998 Mascitelli  
D452,822 S 1/2002 Boshuizen et al.  
D470,043 S 2/2003 Crawford  
D484,402 S \* 12/2003 Crawford ..... D9/693  
D484,403 S \* 12/2003 Crawford ..... D9/682  
D499,333 S \* 12/2004 Crawford ..... D9/694  
D507,486 S \* 7/2005 Wang ..... D9/448  
D524,166 S \* 7/2006 Walther et al. .... D9/682

(73) Assignee: **Airspray International B.V.**, Alkmaar  
(NL)

\* cited by examiner

(\*\*) Term: **14 Years**

*Primary Examiner*—Robert M. Spear  
*Assistant Examiner*—Susan Bennett Hattan

(21) Appl. No.: **29/264,793**

(74) *Attorney, Agent, or Firm*—Hoffman & Baron, LLP

(22) Filed: **Aug. 17, 2006**

(57) **CLAIM**

**Related U.S. Application Data**

The ornamental design for a dispenser for liquid soap, as shown and described.

(62) Division of application No. 29/251,258, filed on Jan. 5, 2006.

**DESCRIPTION**

(30) **Foreign Application Priority Data**

Jul. 5, 2005 (EM) ..... 000368097-0001

FIG. 1 is a perspective view of a dispenser for liquid soap showing our new design;  
FIG. 2 is a front elevation view thereof;  
FIG. 3 is a side elevation view thereof;  
FIG. 4 is a rear elevation view thereof;  
FIG. 5 is a top view thereof;  
FIG. 6 is another perspective view of the embodiment of FIG. 1 showing the spout in a second orientation; and,  
FIG. 7 is a front elevation view showing the spout in the orientation of FIG. 6.

(51) **LOC (8) Cl.** ..... **09-07**

(52) **U.S. Cl.** ..... **D9/448**

(58) **Field of Classification Search** ..... D9/682,  
D9/549, 529, 450, 449, 448, 447, 440, 435;  
D7/587, 558, 555, 554.4, 554.2, 553.6, 553.1,  
D7/550.1; D6/550, 542, 536; D23/254, 250,  
D23/249; 222/562, 402.13, 402.1, 385, 383.1,  
222/372, 321.7, 321.3, 320, 153.13

See application file for complete search history.

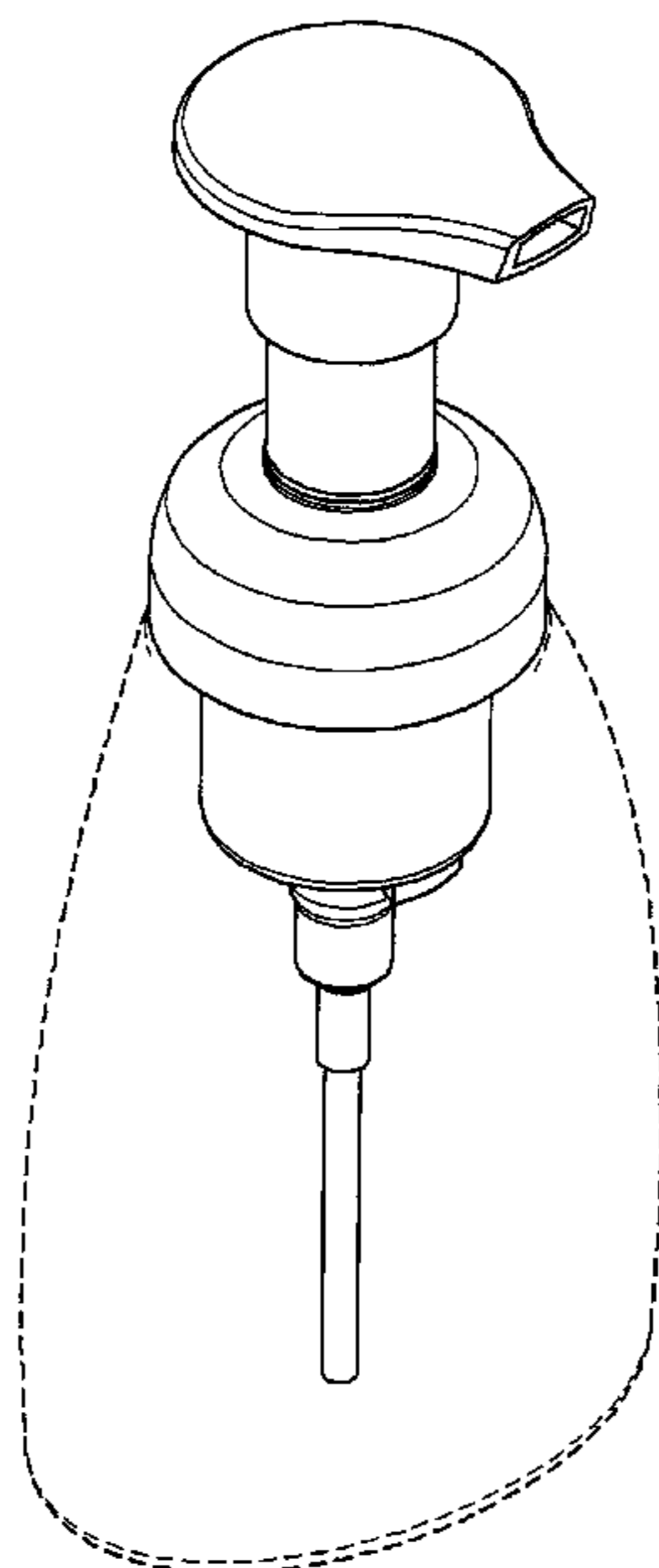
The subject matter shown in broken lines is for illustrative purposes only and forms no part of the claimed design. The bottom view (not shown) forms no part of the claimed design.

(56) **References Cited**

**U.S. PATENT DOCUMENTS**

5,615,806 A 4/1997 Grothoff

**1 Claim, 7 Drawing Sheets**



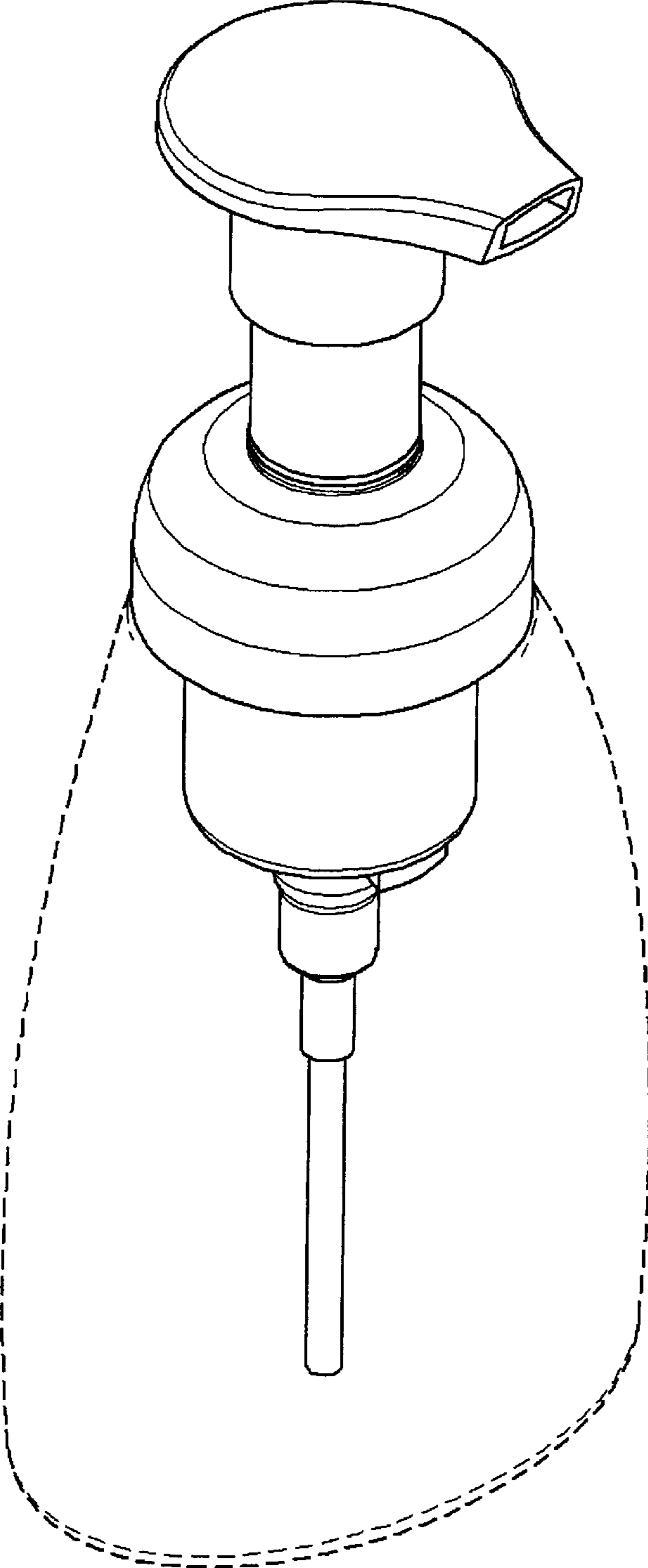


Fig. 1

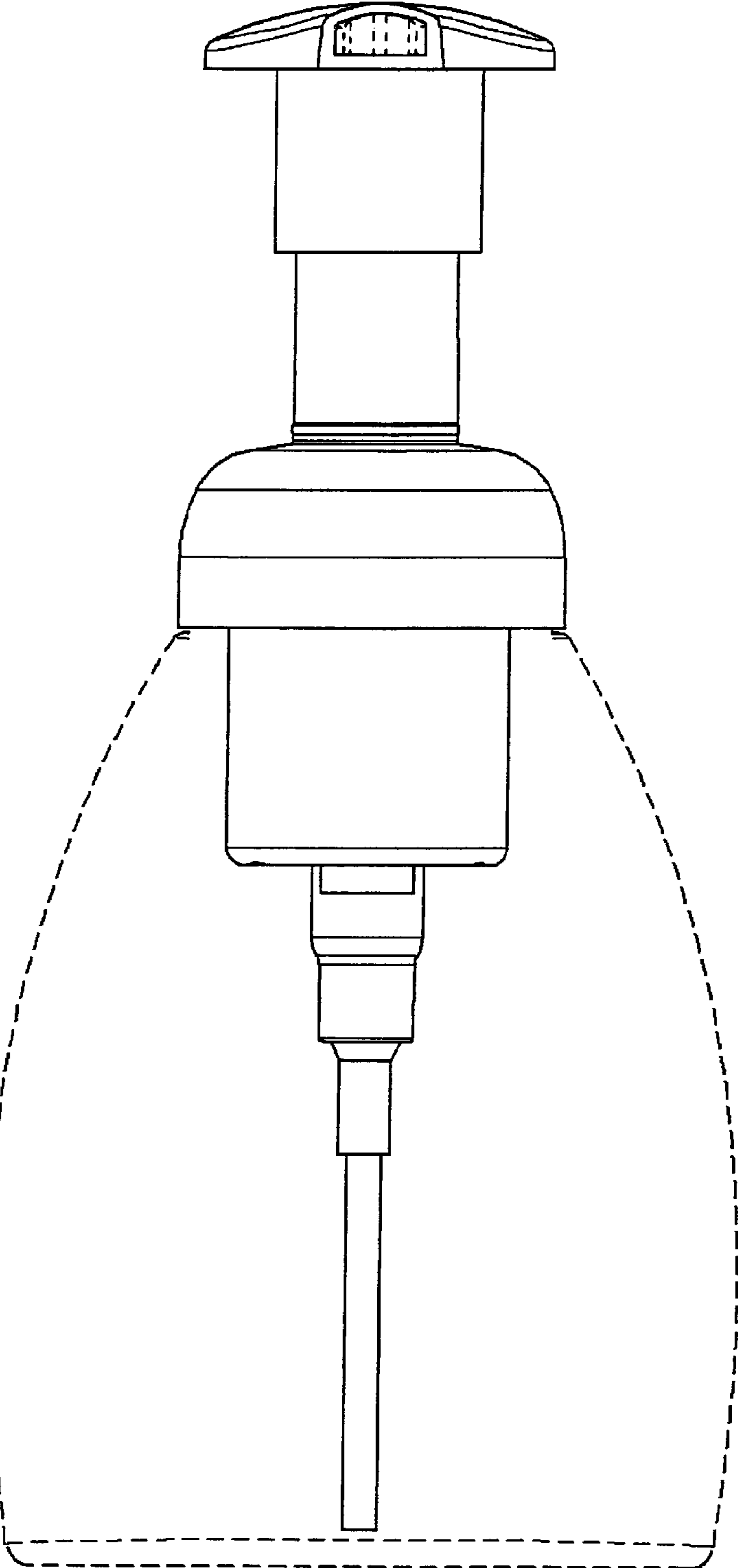


Fig. 2

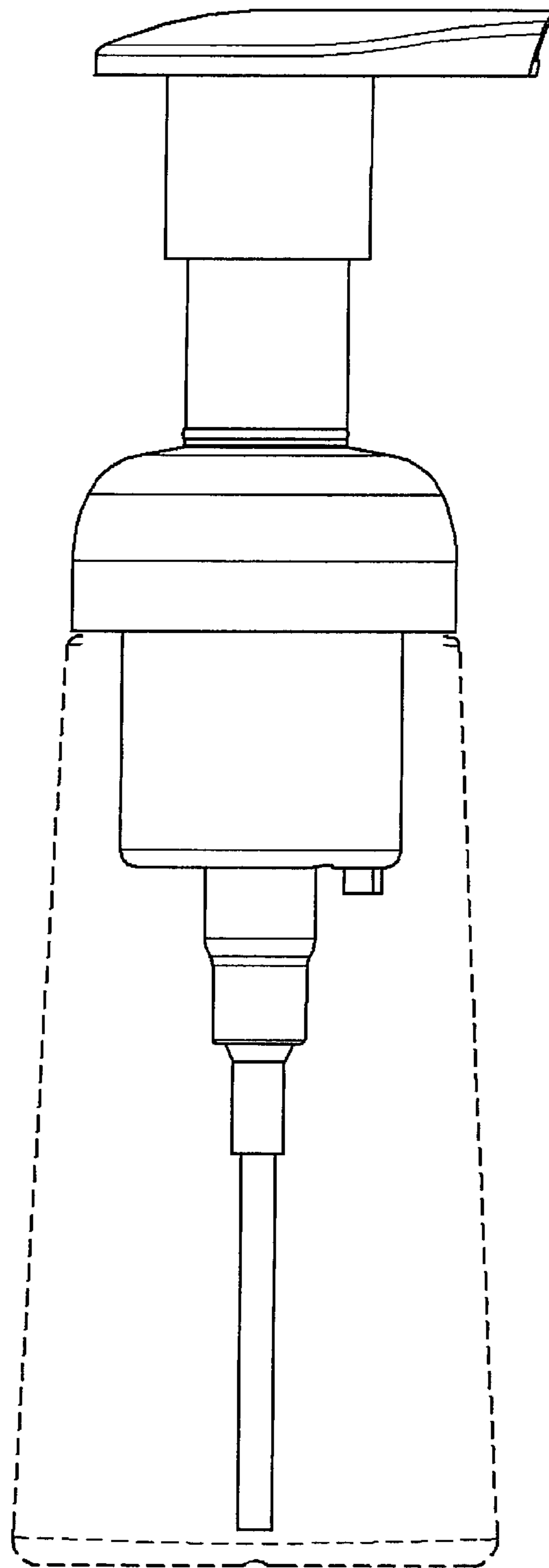


Fig. 3

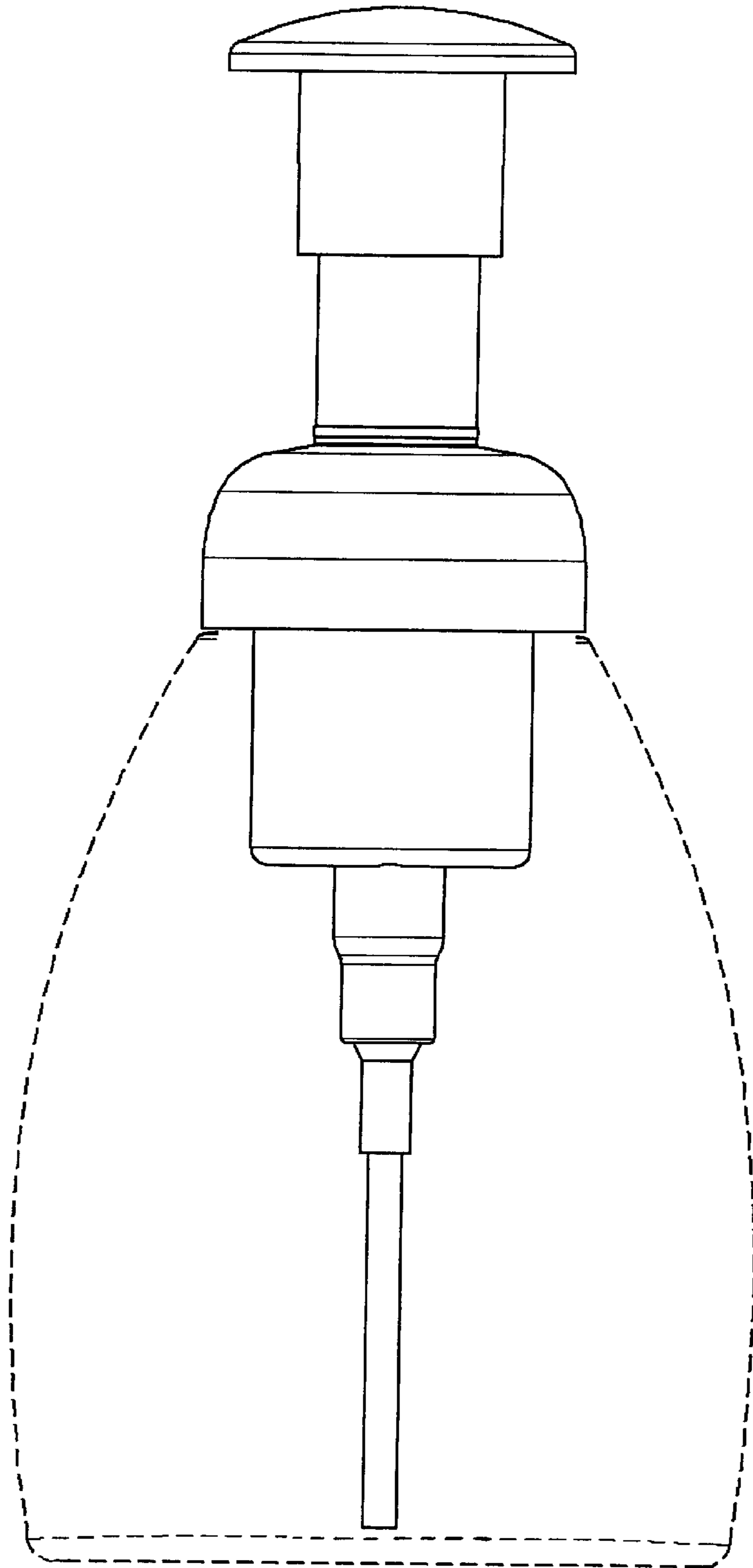


Fig. 4

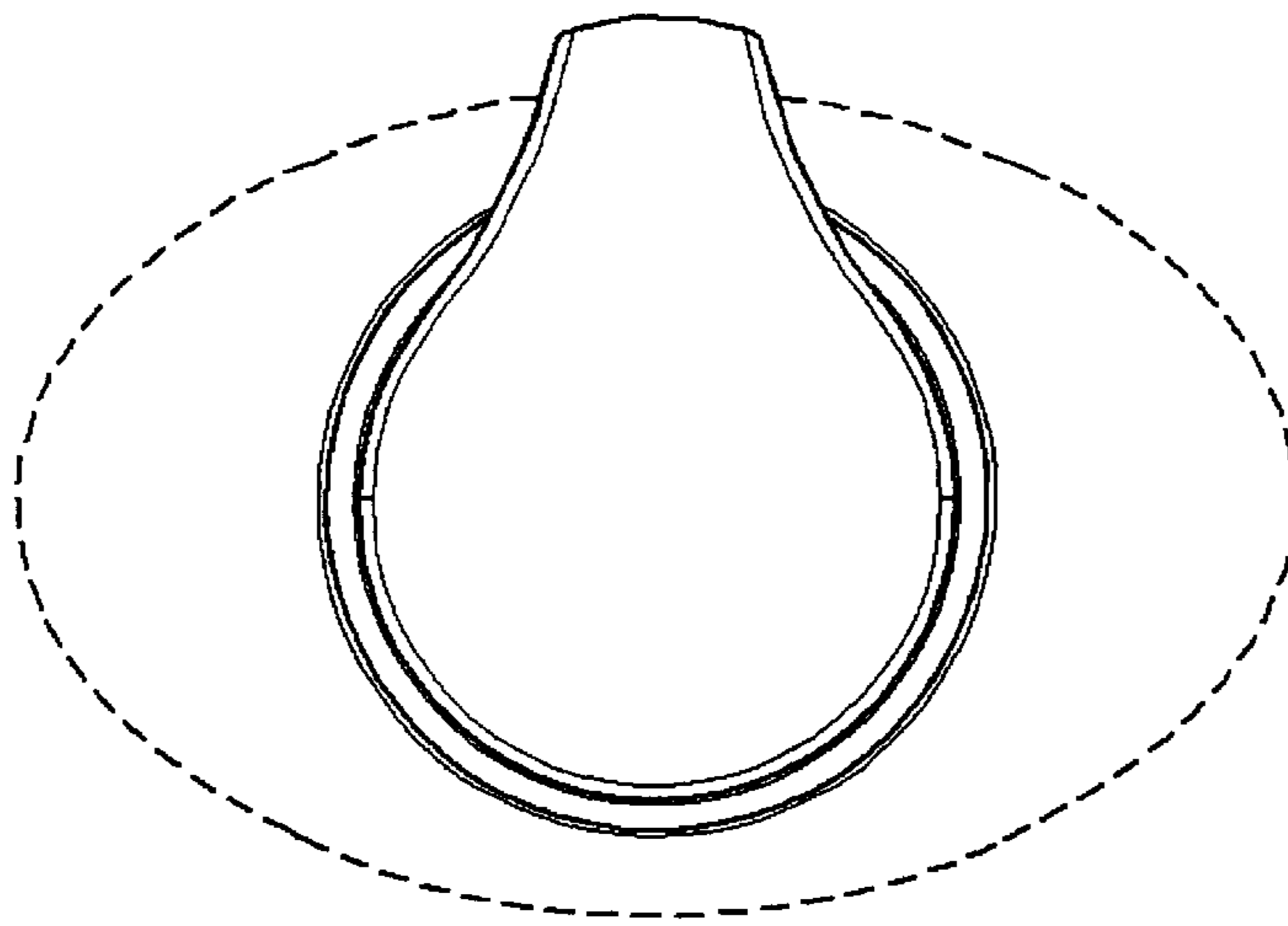


Fig. 5

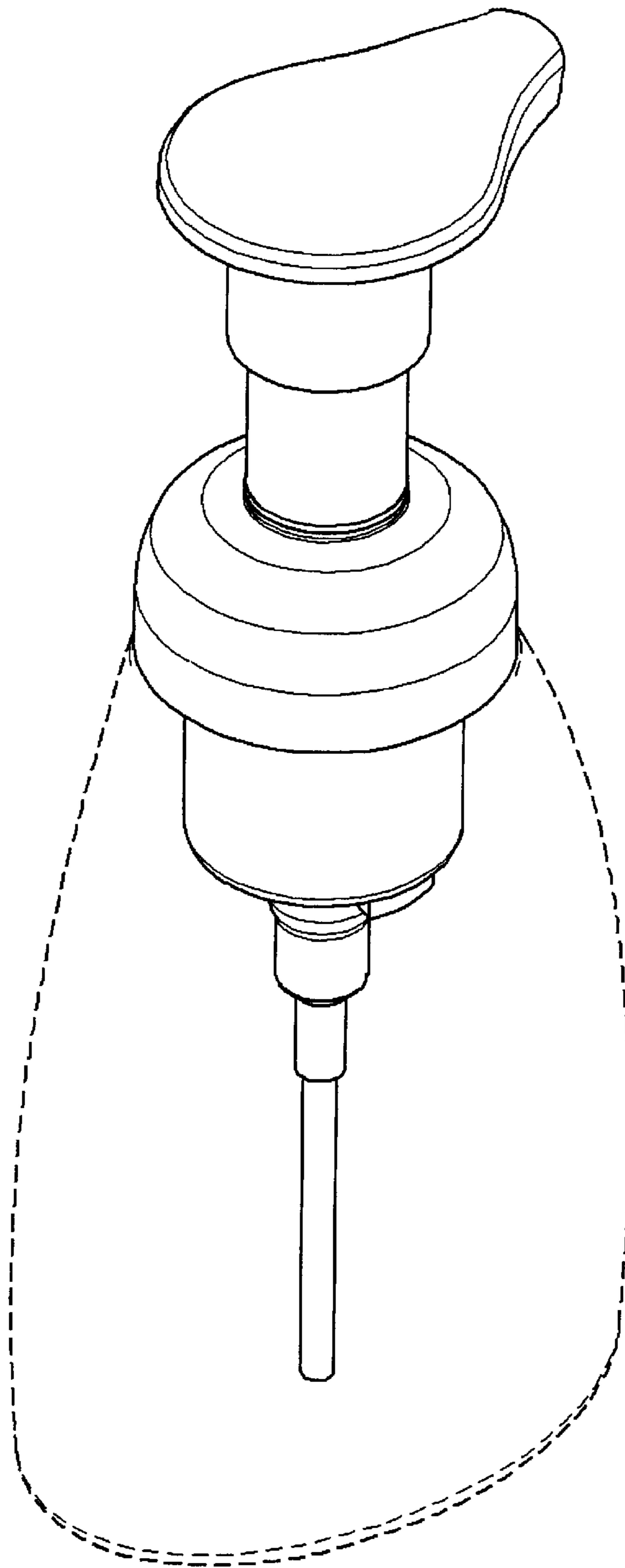


Fig. 6

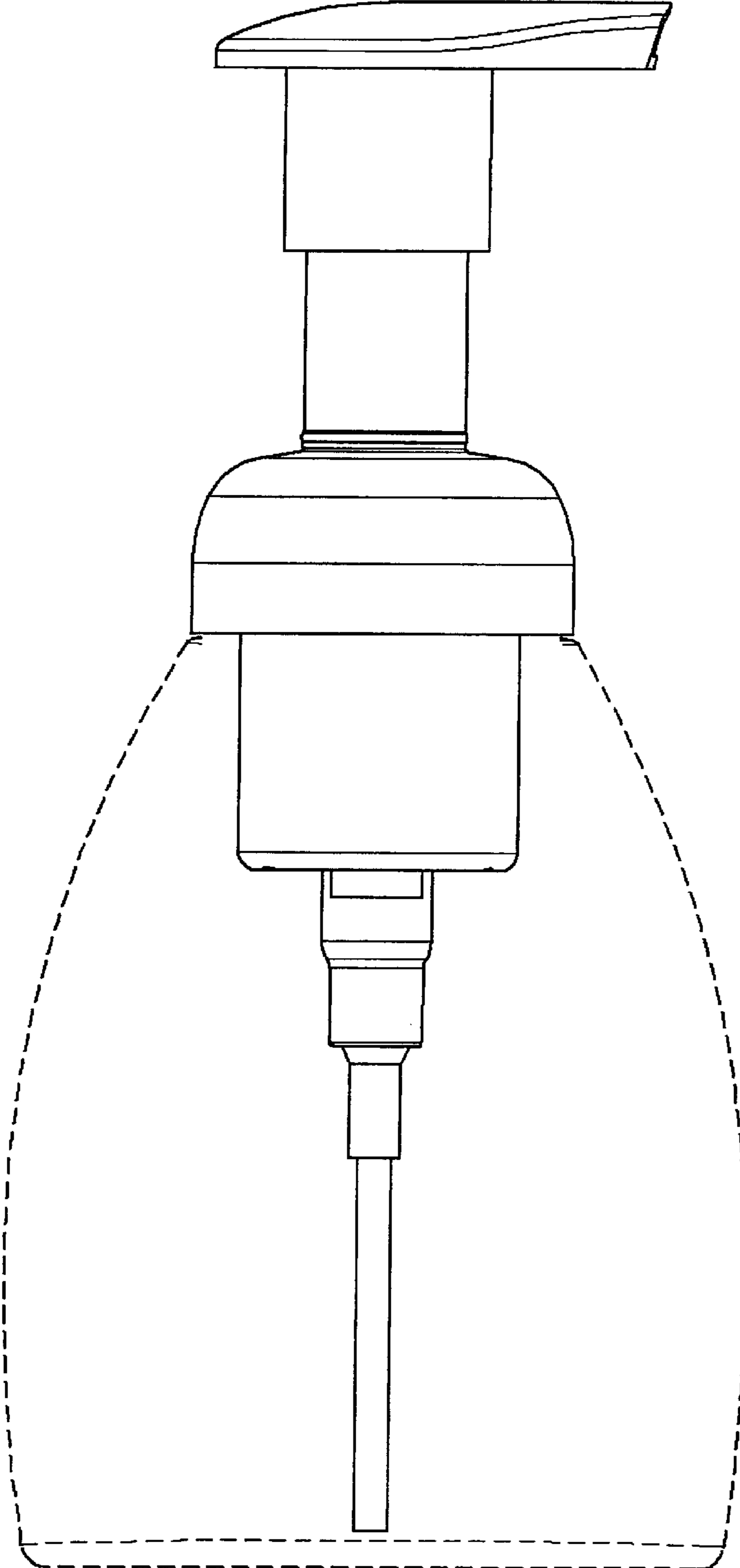


Fig. 7