



US00D536972S

(12) **United States Design Patent** (10) **Patent No.:** **US D536,972 S**
van der Heijden et al. (45) **Date of Patent:** **** Feb. 20, 2007**

(54) **DISPENSER FOR LIQUID SOAP**
(75) Inventors: **Edgar van der Heijden**, Broek op Langedijk (NL); **Peter Jozef Jan Albertz**, Haarlem (NL)
(73) Assignee: **Airspray International Inc.**, Alkmaar (NL)
(**) Term: **14 Years**

D398,529 S 9/1998 Mascitelli
D452,822 S 1/2002 Boshuizen et al.
D470,043 S 2/2003 Crawford
D484,402 S * 12/2003 Crawford D9/693
D484,403 S * 12/2003 Crawford D9/682
D499,333 S * 12/2004 Crawford D9/694
D507,486 S * 7/2005 Wang D9/448
D524,166 S * 7/2006 Walther et al. D9/682

* cited by examiner

(21) Appl. No.: **29/264,791**
(22) Filed: **Aug. 17, 2006**

Primary Examiner—Robert M. Spear
Assistant Examiner—Susan Bennett Hattan
(74) *Attorney, Agent, or Firm*—Hoffmann & Baron, LLP

Related U.S. Application Data

(62) Division of application No. 29/251,258, filed on Jan. 5, 2006.

(57) **CLAIM**

The ornamental design for a dispenser for liquid soap, as shown and described.

(30) **Foreign Application Priority Data**

Jul. 5, 2005 (EM) 000368097-0001

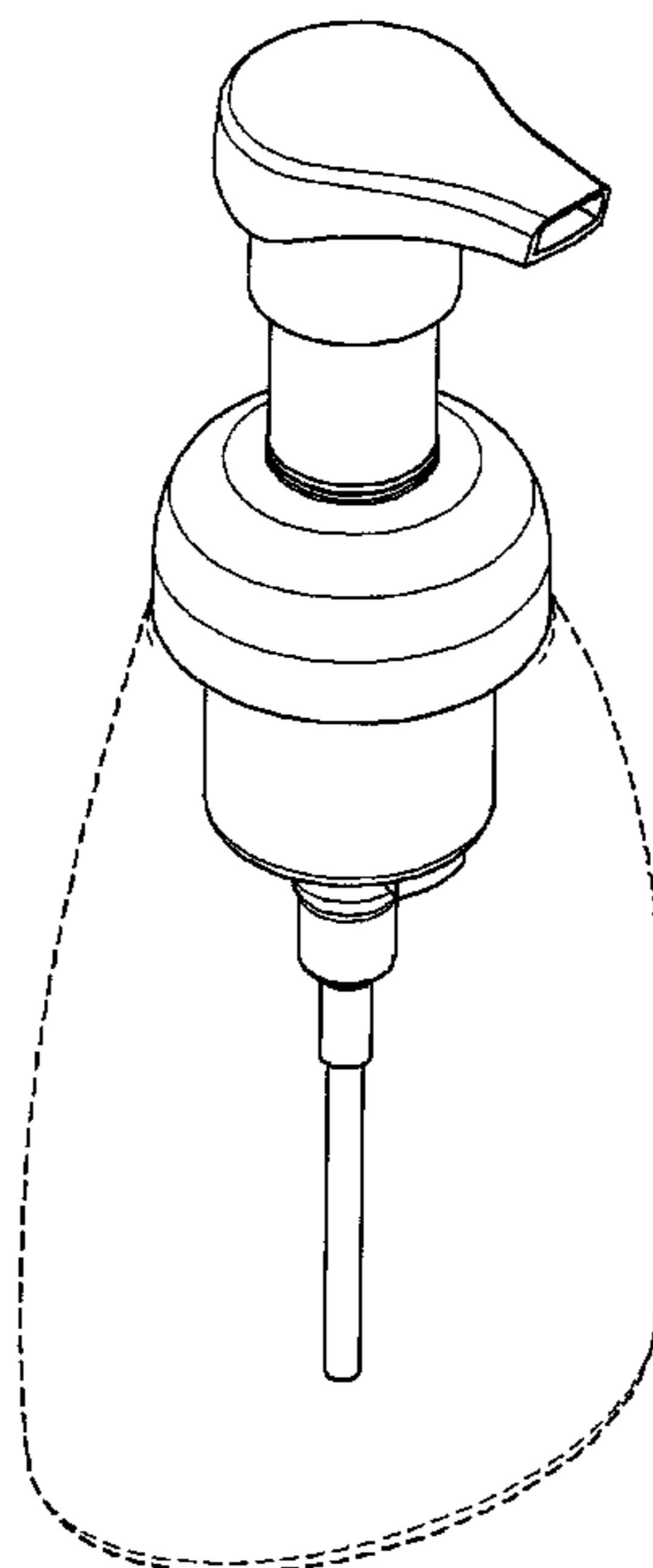
DESCRIPTION

(51) **LOC (8) Cl.** **09-07**
(52) **U.S. Cl.** **D9/448**
(58) **Field of Classification Search** D9/682, D9/549, 529, 450, 449, 448, 447, 440, 435; D7/587, 558, 555, 554.4, 554.2, 553.6, 553.1, D7/550.1; D6/550, 542, 536; D23/254, 250, D23/249; 222/562, 402.13, 402.1, 385, 383.1, 222/372, 321.7, 321.3, 320, 153.13
See application file for complete search history.

FIG. 1 is a perspective view of a dispenser for liquid soap showing our new design;
FIG. 2 is a front elevation view thereof;
FIG. 3 is a side elevation view thereof;
FIG. 4 is a rear elevation view thereof;
FIG. 5 is a top view thereof;
FIG. 6 is another perspective view of the embodiment of FIG. 1 showing the spout in a second orientation; and,
FIG. 7 is a front elevation view showing the spout in the orientation of FIG. 6.
The subject matter shown in broken lines is for illustrative purposes only and forms no part of the claimed design. The bottom view (not shown) forms no part of the claimed design.

(56) **References Cited**
U.S. PATENT DOCUMENTS
5,615,806 A 4/1997 Grothoff

1 Claim, 7 Drawing Sheets



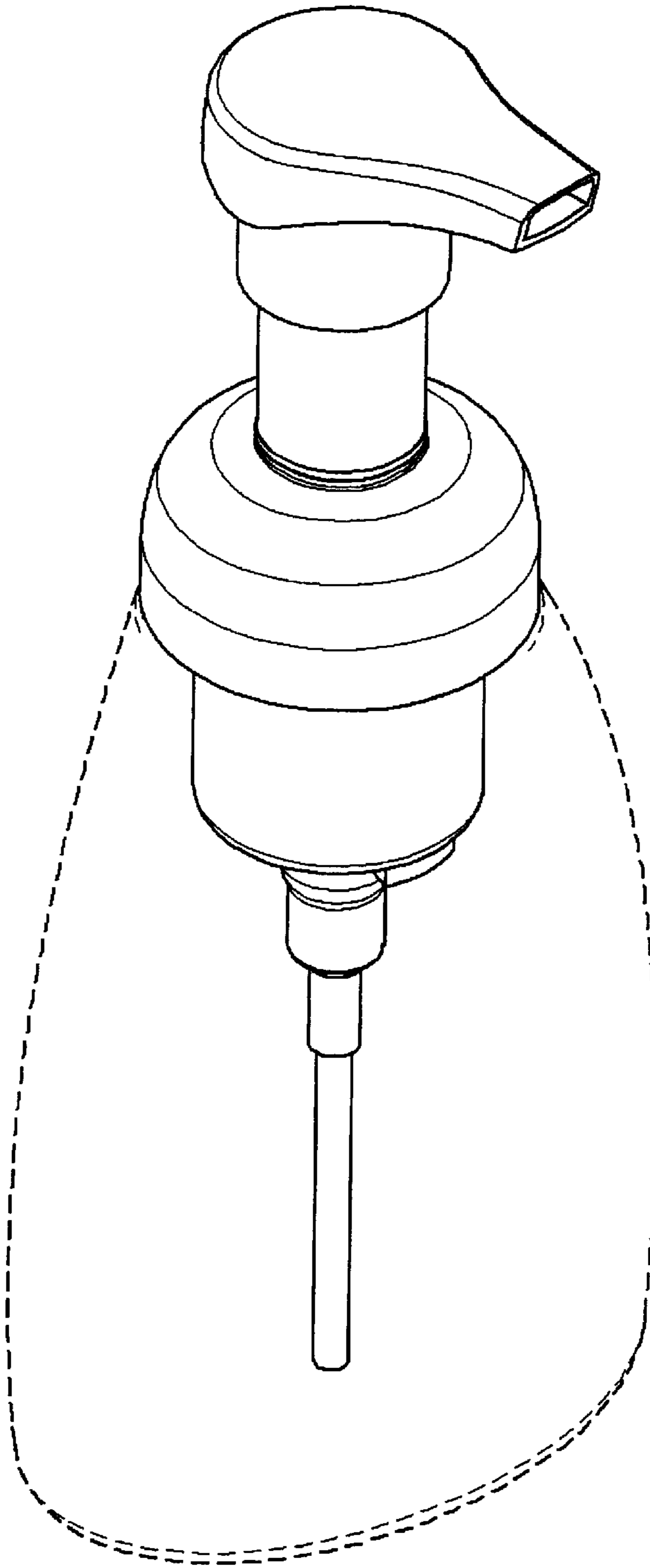


Fig. 1

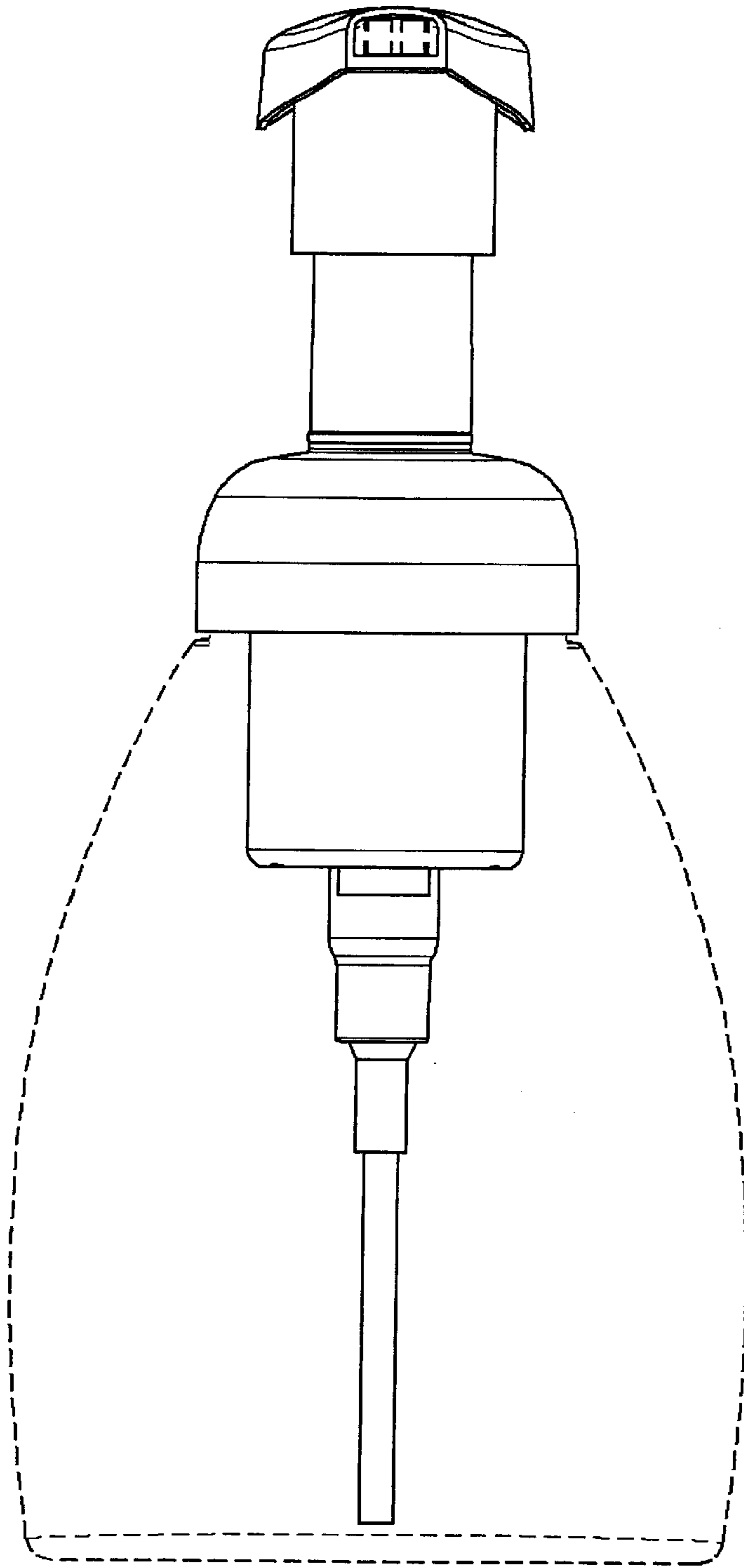


Fig. 2

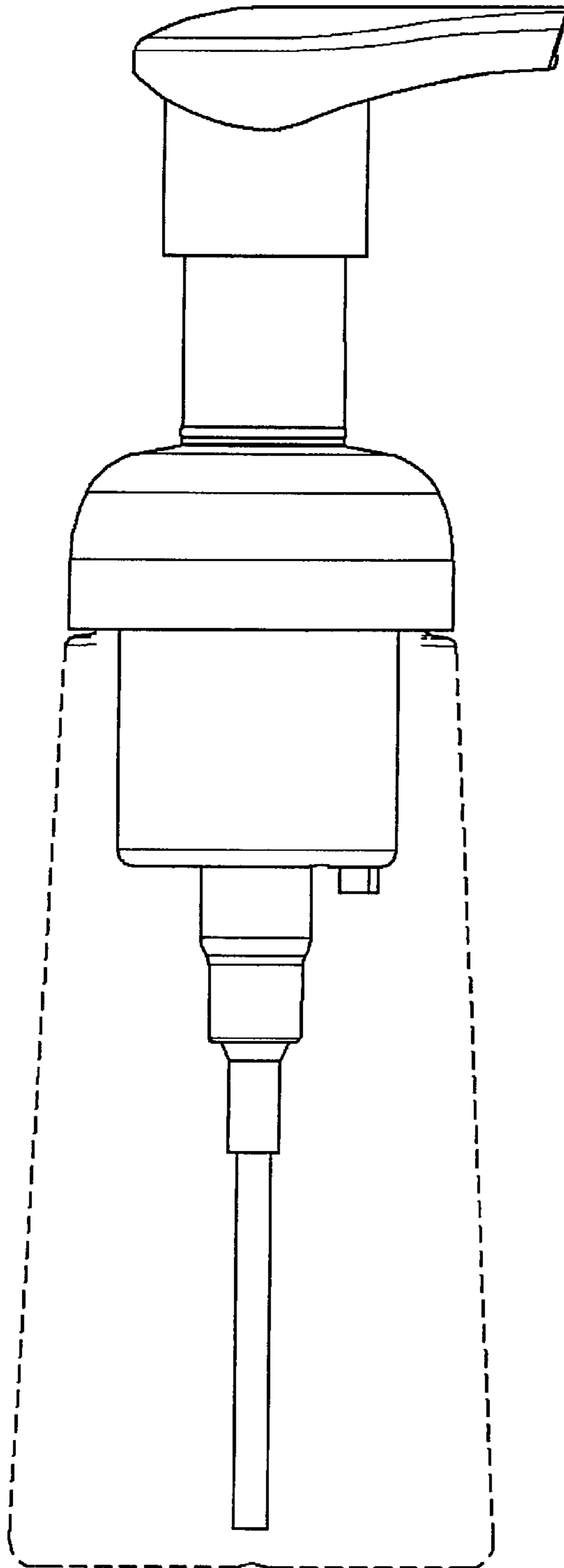


Fig. 3

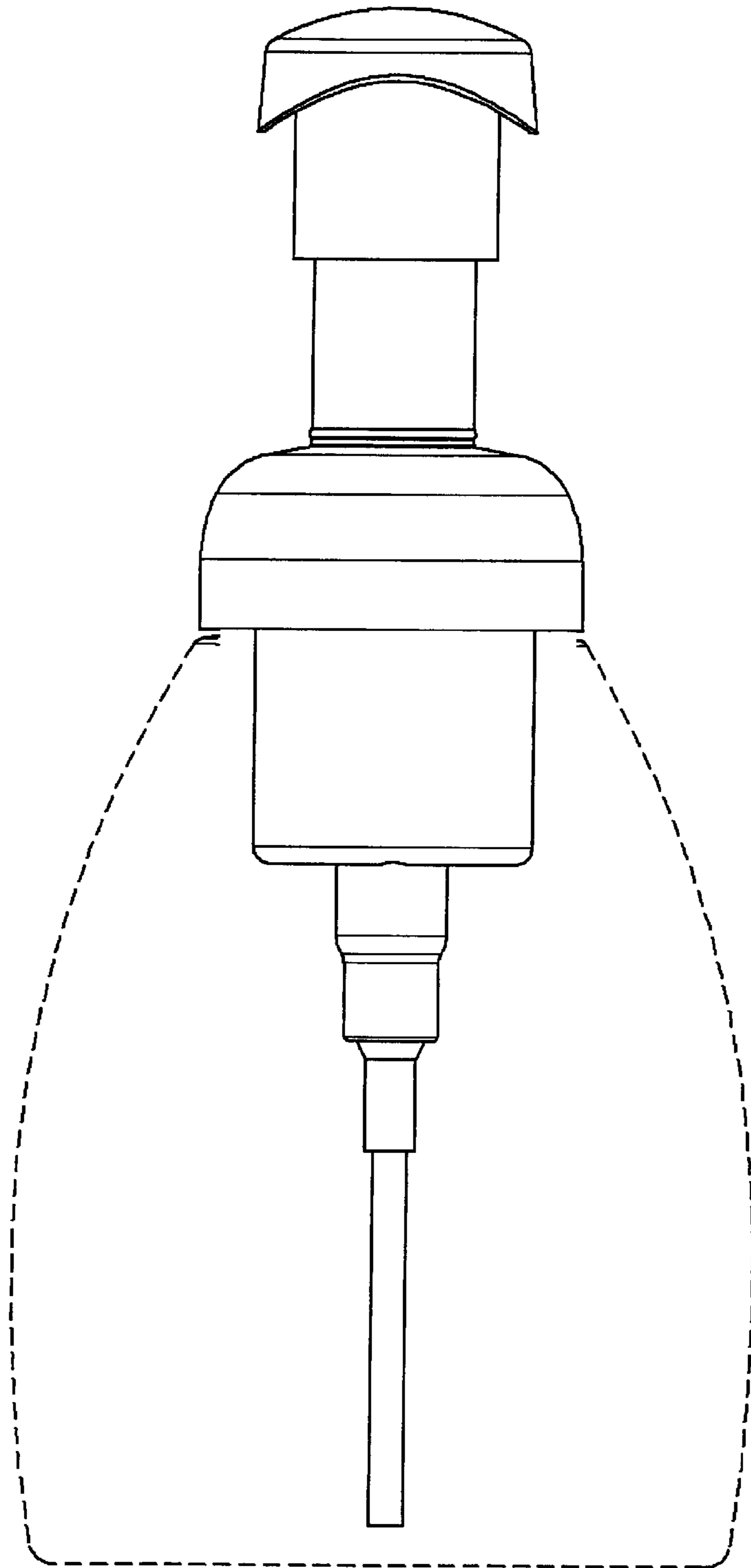


Fig. 4

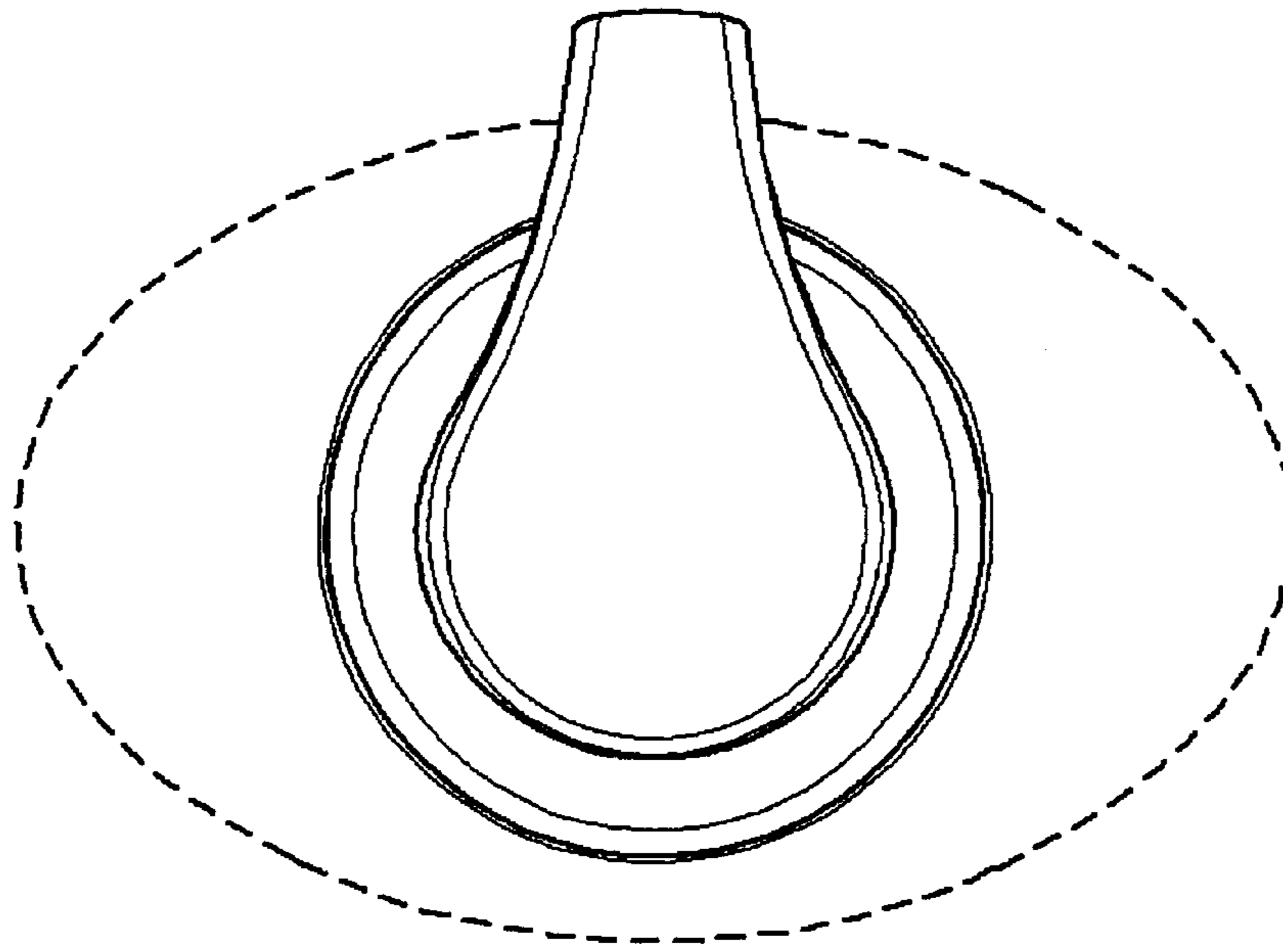


Fig. 5

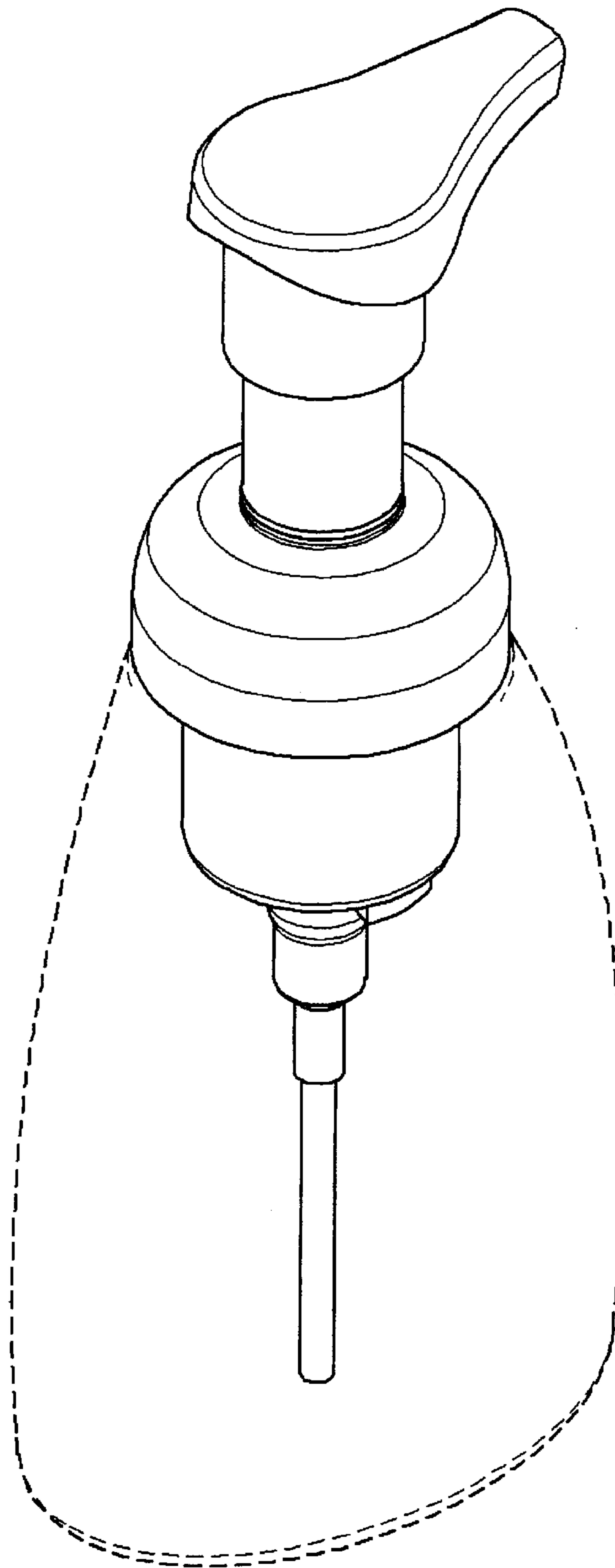


Fig. 6

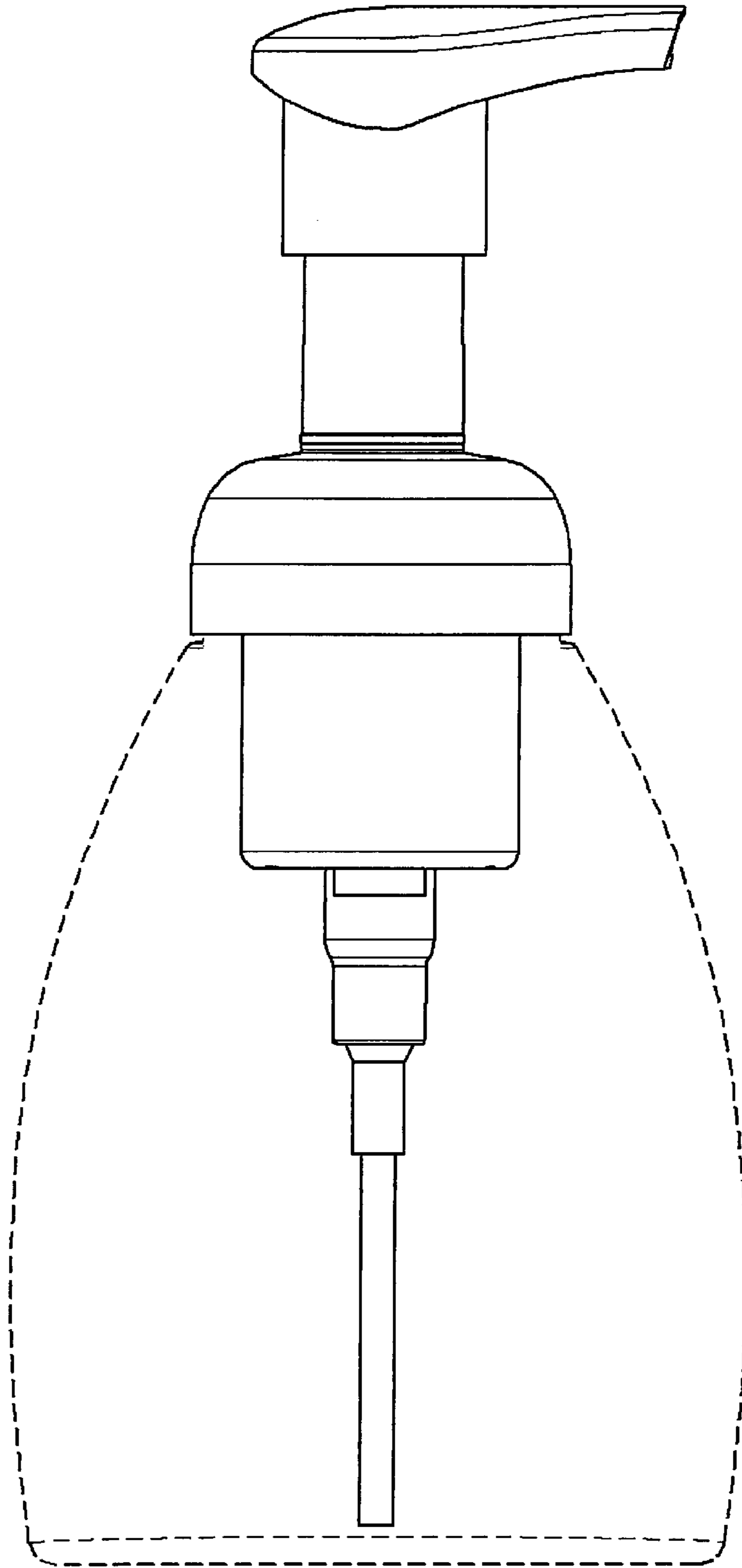


Fig. 7