



US00D536971S

(12) **United States Design Patent**
Arminak

(10) **Patent No.:** **US D536,971 S**

(45) **Date of Patent:** **** Feb. 20, 2007**

(54) **PUMP ACTUATOR**

(75) Inventor: **Armin Arminak**, Pasadena, CA (US)

(73) Assignee: **Aminak & Associates, Inc.**, Duarte, CA (US)

(**) Term: **14 Years**

(21) Appl. No.: **29/258,862**

(22) Filed: **Apr. 28, 2006**

(51) **LOC (8) Cl.** **09-07**

(52) **U.S. Cl.** **D9/448**

(58) **Field of Classification Search** D9/503,
D9/454, 449, 448, 447, 444, 434; D6/542;
222/556-569, 505, 380, 321.7, 321.6; 215/222,
215/214

See application file for complete search history.

(56) **References Cited**

U.S. PATENT DOCUMENTS

4,880,161	A	11/1989	Wright	
5,048,750	A	9/1991	Tobler	
5,255,851	A	10/1993	Tobler	
5,271,530	A	12/1993	Uehira et al.	
D351,794	S	* 10/1994	Foster D9/448
D355,845	S	* 2/1995	Wass D9/448
5,443,569	A	8/1995	Uehira et al.	
5,570,819	A	11/1996	Uehira et al.	
5,813,576	A	9/1998	Iizuka et al.	
6,036,112	A	3/2000	Hunsicker	
6,053,364	A	4/2000	van der Heijden	
6,119,899	A	9/2000	Iizuka et al.	
6,299,028	B1	10/2001	Iizuka et al.	
D452,653	S	1/2002	Boshuizen et al.	

D452,822	S	1/2002	Boshuizen et al.	
D456,260	S	4/2002	Boshuizen et al.	
D458,137	S	6/2002	Bakic	
D466,017	S	11/2002	Kuo	
6,536,685	B2	3/2003	Bennett	
6,612,468	B2	9/2003	Pritchett et al.	
6,644,516	B1	11/2003	Foster et al.	
D486,336	S	* 2/2004	Snell D6/542
D488,716	S	* 4/2004	Dretzka D9/448
6,793,100	B2	9/2004	Iizuka et al.	
D499,966	S	* 12/2004	Arminak D9/448
6,840,408	B1	1/2005	Foster et al.	
6,868,990	B2	3/2005	Cater et al.	
6,923,346	B2	8/2005	Foster et al.	
D519,372	S	* 4/2006	Hsieh D9/448

* cited by examiner

Primary Examiner—Robert M. Spear
Assistant Examiner—Susan Bennett Hattan
(74) *Attorney, Agent, or Firm*—Cislo & Thomas, LLP

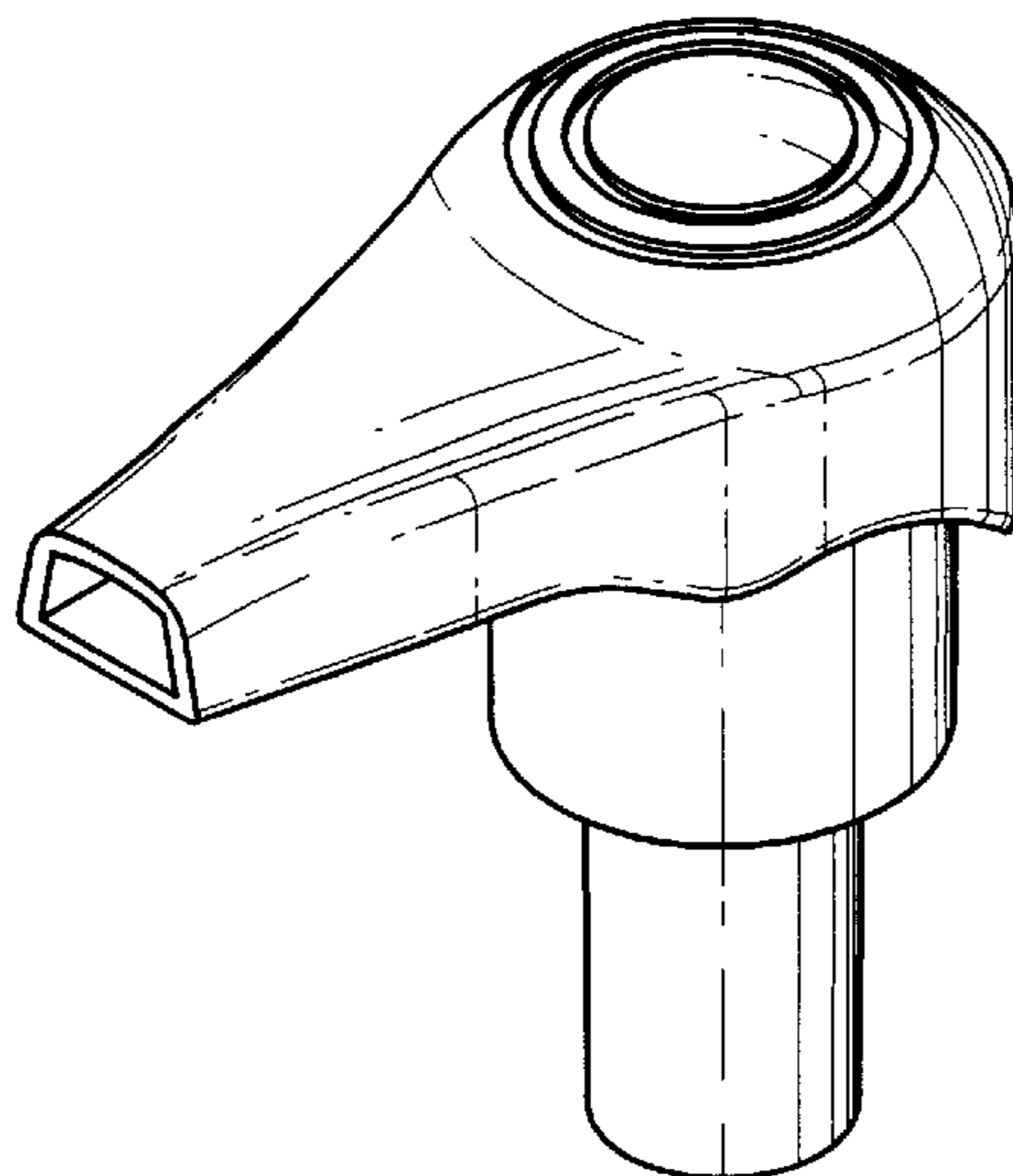
(57) **CLAIM**

The ornamental design for a pump actuator, as shown and described.

DESCRIPTION

FIG. 1 is a perspective view of the pump actuator; FIG. 2 is a front view of the pump actuator; FIG. 3 is a right side elevational view of the pump actuator; FIG. 4 is a rear view of the pump actuator; FIG. 5 is a top view of the pump actuator; and, FIG. 6 is a bottom view of the pump actuator. The broken lines in the drawings are for illustrative purposes only and form no part of the claimed design.

1 Claim, 3 Drawing Sheets



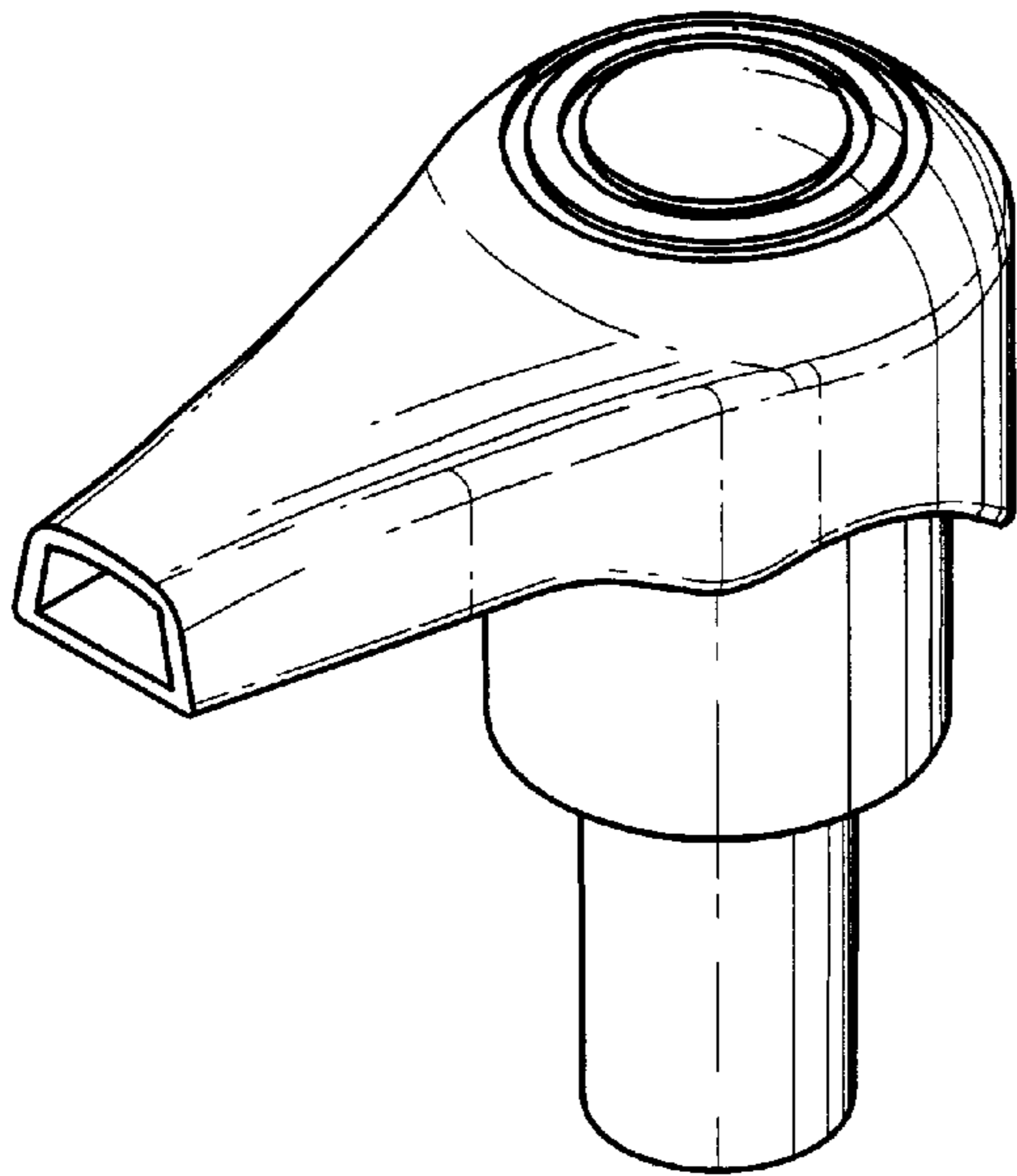


FIG. 1

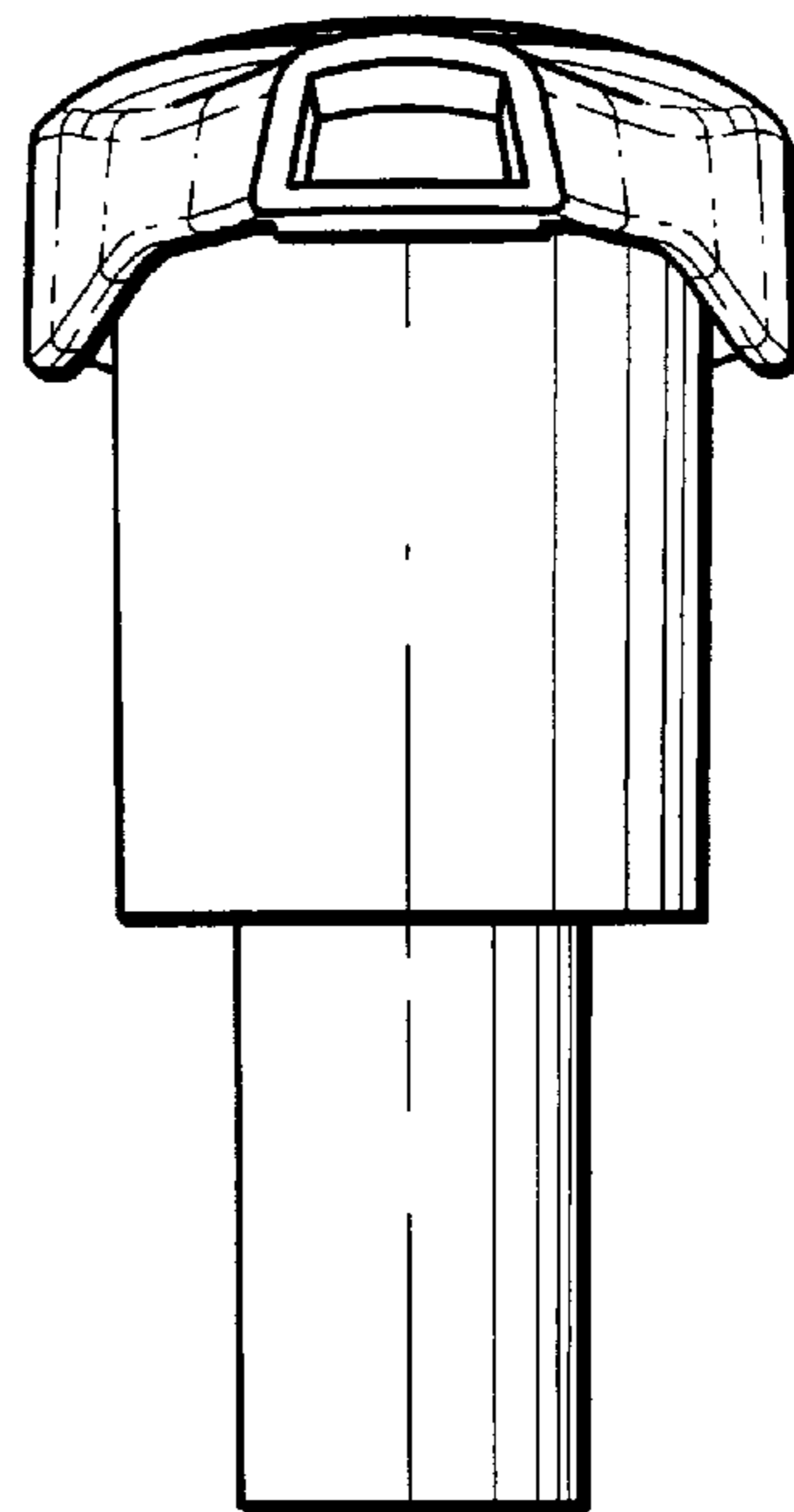


FIG. 2

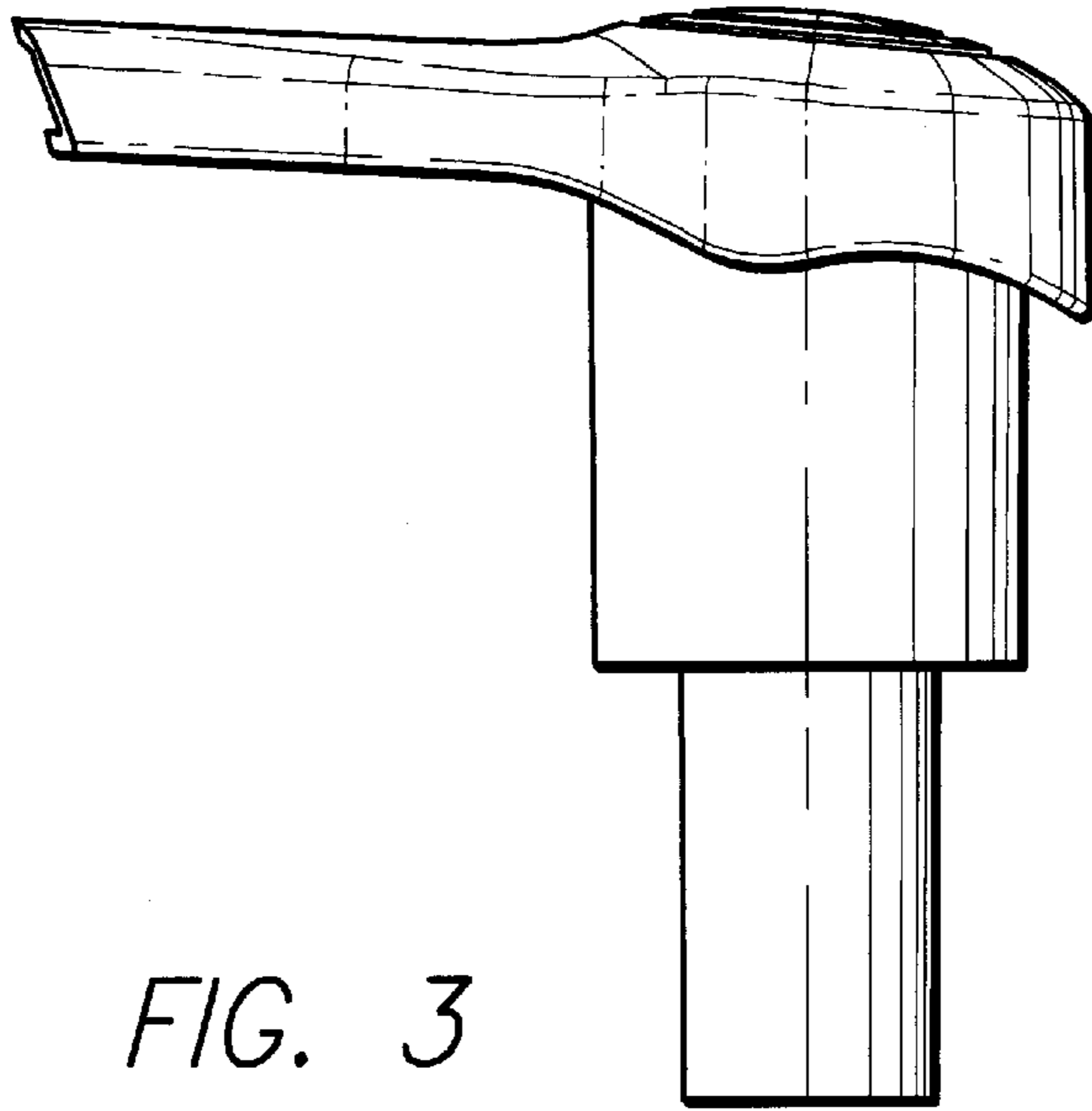


FIG. 3

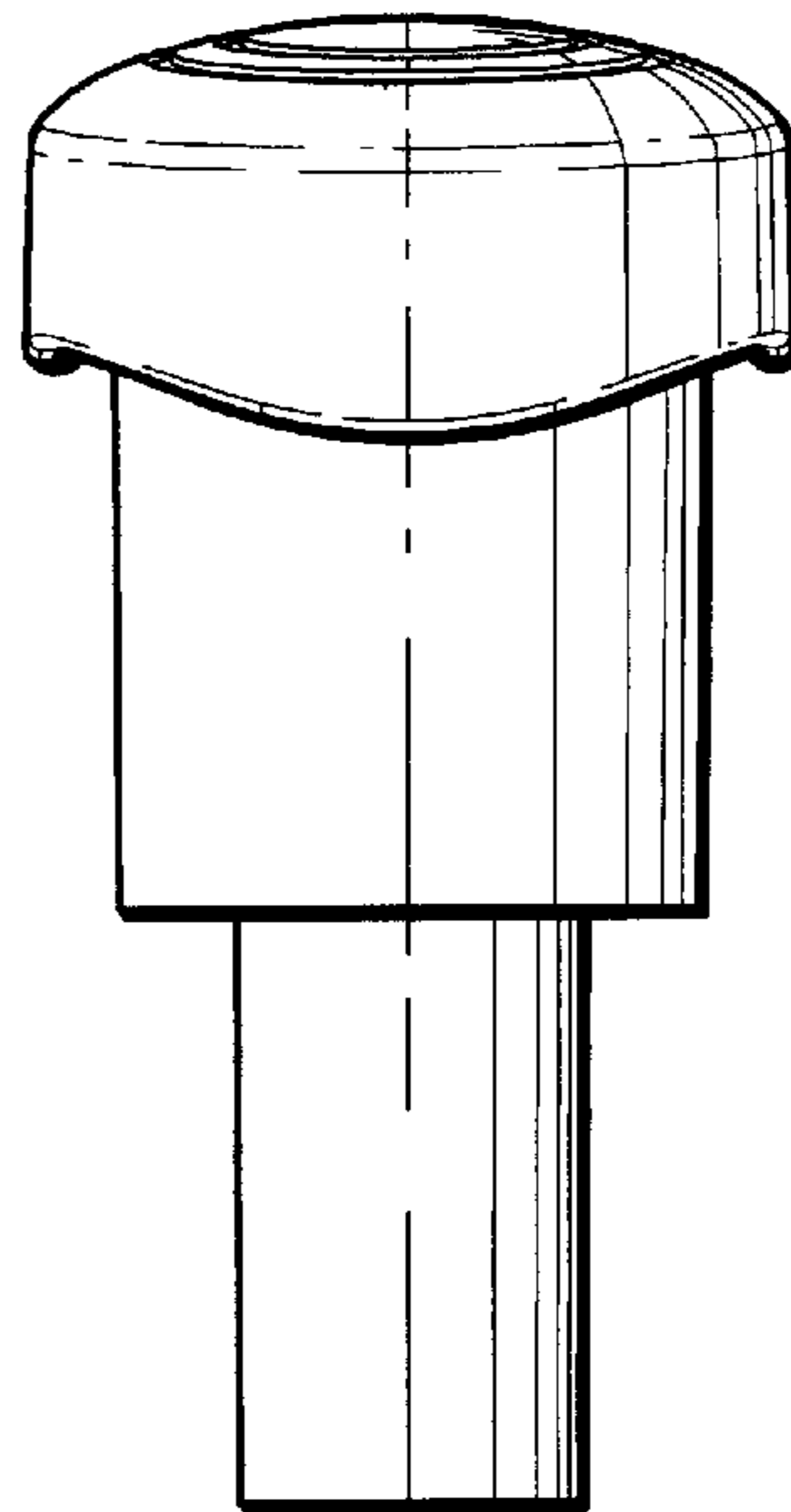


FIG. 4

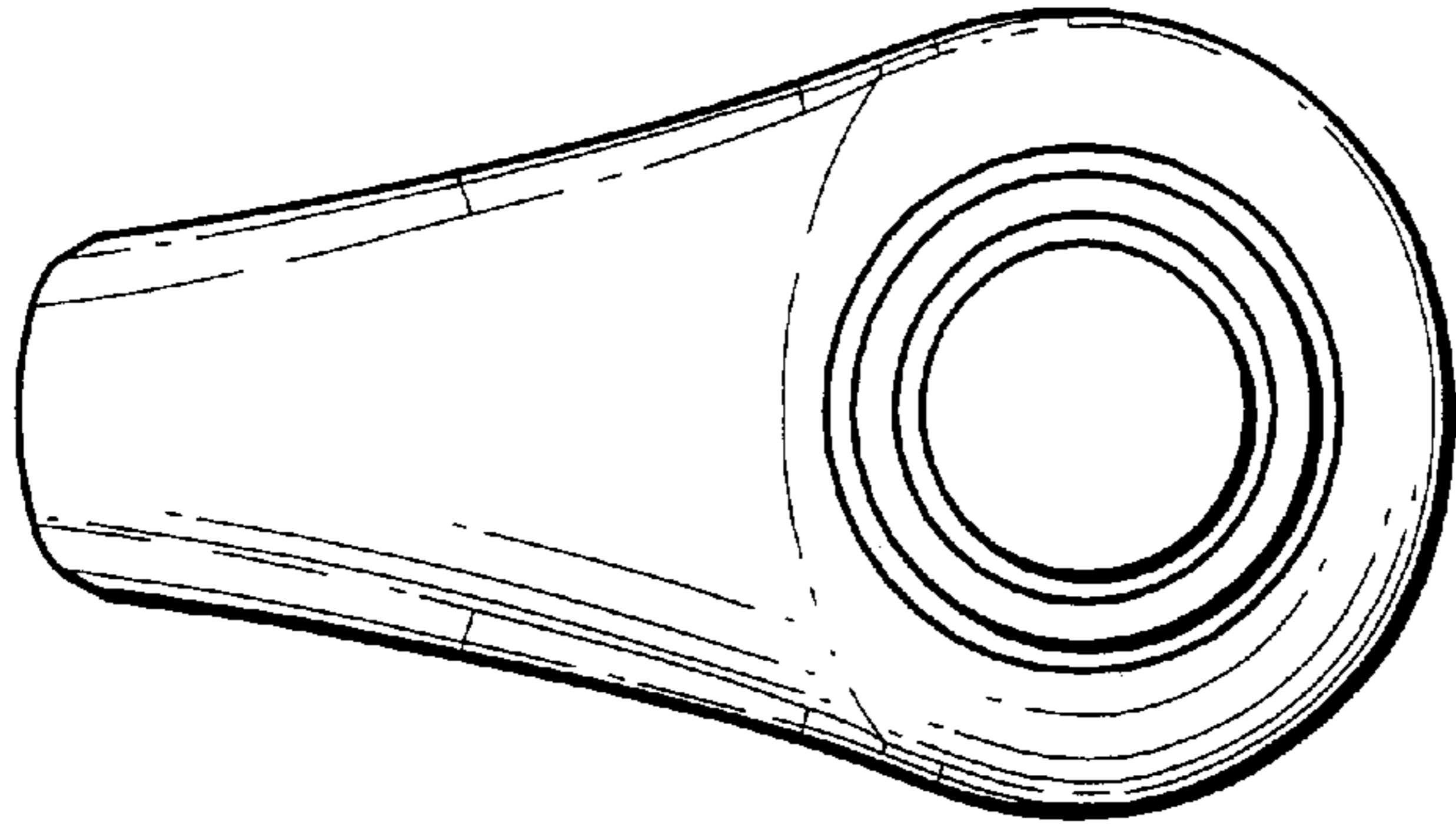


FIG. 5

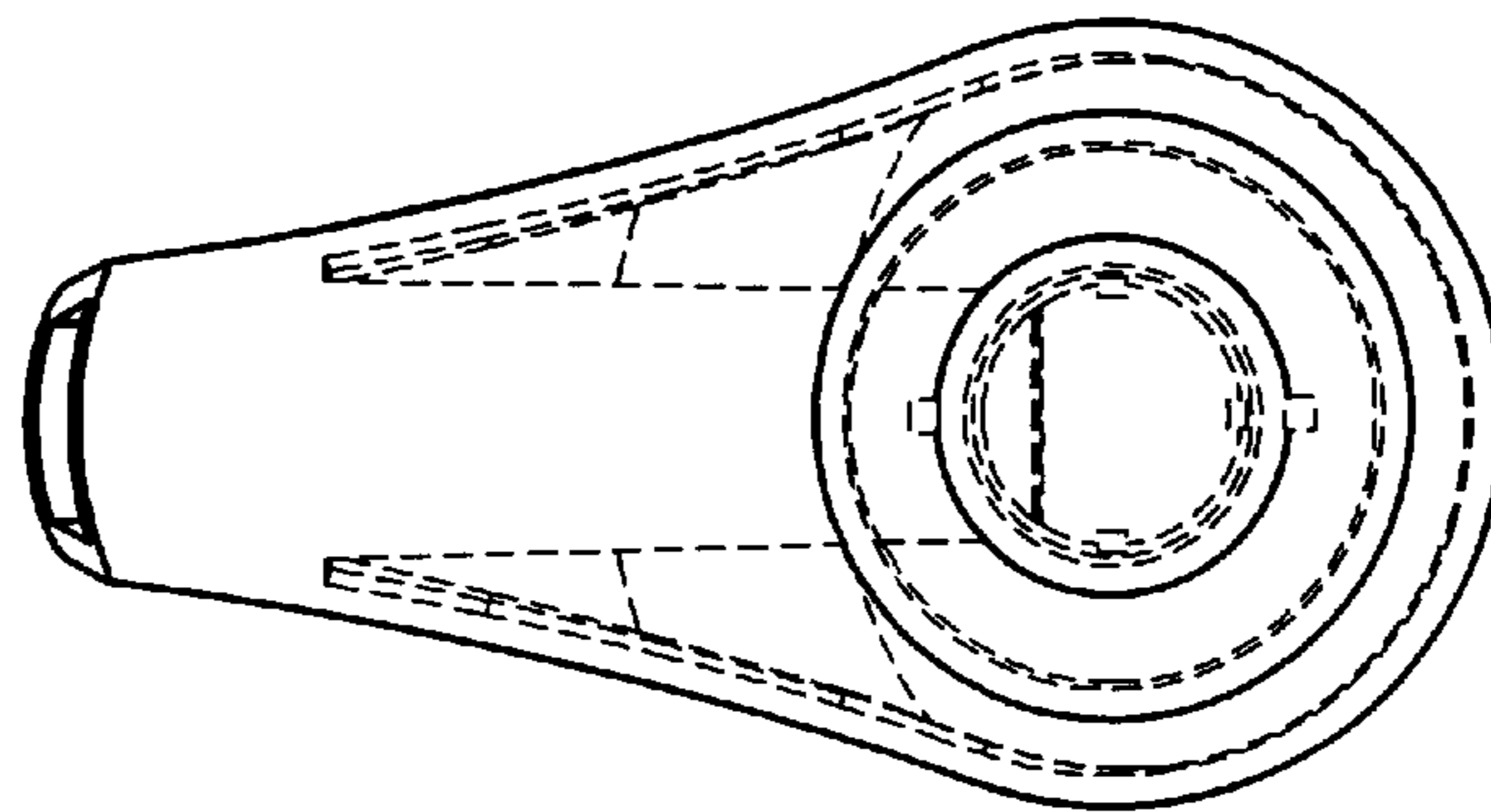


FIG. 6