



US00D536968S

(12) **United States Design Patent**  
**Keller**

(10) **Patent No.:** **US D536,968 S**

(45) **Date of Patent:** **\*\* Feb. 20, 2007**

(54) **BOTTLE STOPPER WITH DISPLAY SURFACE**

(76) Inventor: **Michael D. Keller**, 3702 New Vision Dr., Fort Wayne, IN (US) 46825

(\*\*) Term: **14 Years**

(21) Appl. No.: **29/236,783**

(22) Filed: **Aug. 23, 2005**

(51) **LOC (8) Cl.** ..... **09-07**

(52) **U.S. Cl.** ..... **D9/439**

(58) **Field of Classification Search** ..... D9/718, D9/715, 547, 545, 544, 454, 447, 440, 439, D9/436, 435, 434; D7/398, 397, 387, 313, D7/312, 305, 300; D23/249, 246, 233; D10/60, D10/52, 49, 122; 215/355-364; 222/630-633, 222/145.1-145.8

See application file for complete search history.

(56) **References Cited**

**U.S. PATENT DOCUMENTS**

D96,835 S	*	9/1935	Holland	.....	D20/41
D198,759 S	*	7/1964	Norris	.....	D7/300
D226,070 S	*	1/1973	Alaska	.....	D9/436
D389,871 S	*	1/1998	Young	.....	D20/41
D392,681 S	*	3/1998	Kuelbs et al.	.....	D20/10
D451,146 S	*	11/2001	Burton et al.	.....	D20/10

D526,362 S \* 8/2006 Priegel ..... D20/41  
2004/0112856 A1 6/2004 Hwang et al.

\* cited by examiner

*Primary Examiner*—Robert M. Spear

*Assistant Examiner*—Susan Bennett Hattan

(74) *Attorney, Agent, or Firm*—Richard C. Litman

(57) **CLAIM**

The ornamental design for a bottle stopper with display surface, as shown and described.

**DESCRIPTION**

FIG. 1 is an environmental perspective view of a first embodiment of a bottle stopper with display surface showing my new design;

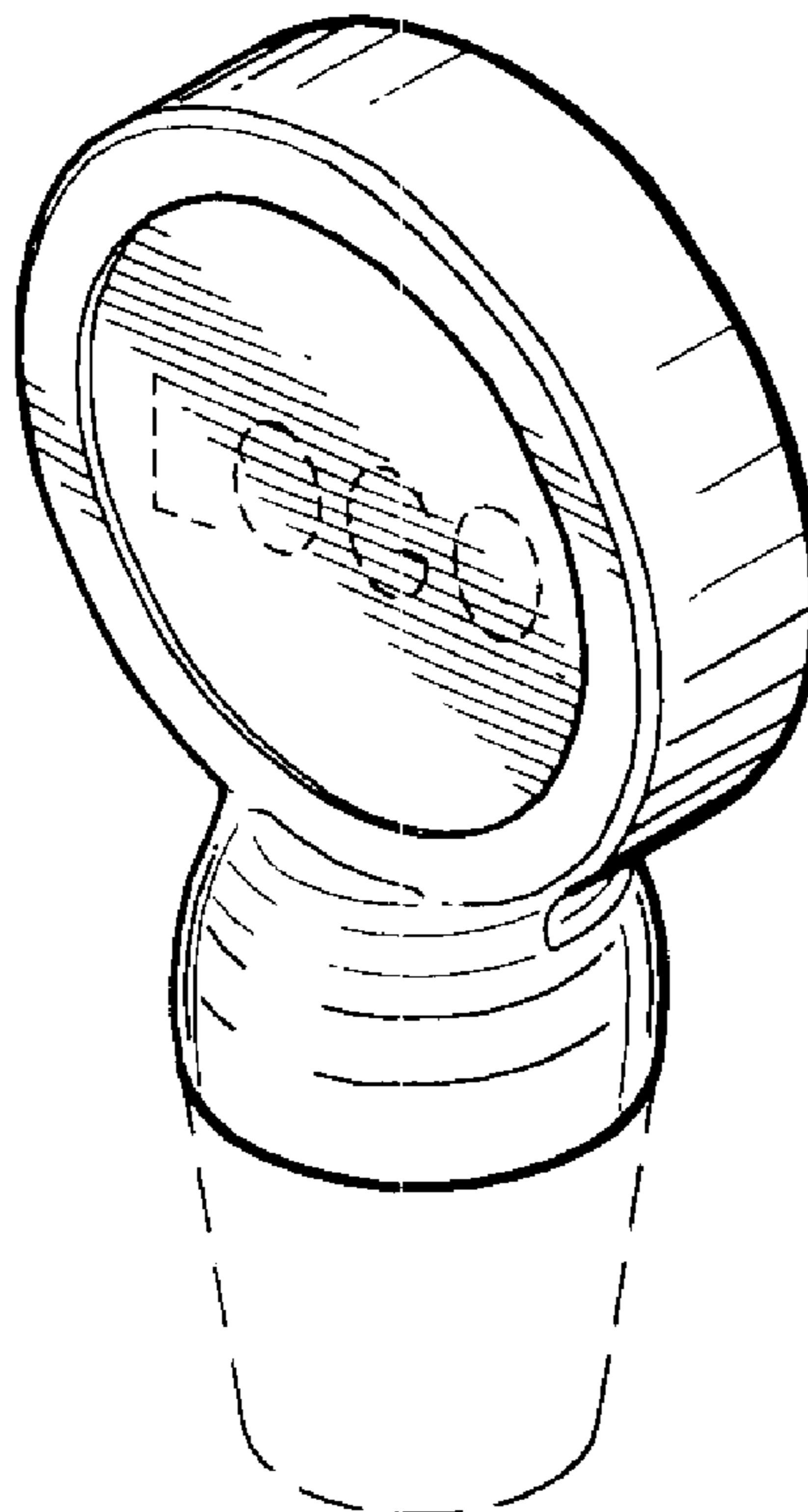
FIG. 2 is an environmental front elevational view with the rear view being a mirror image thereof;

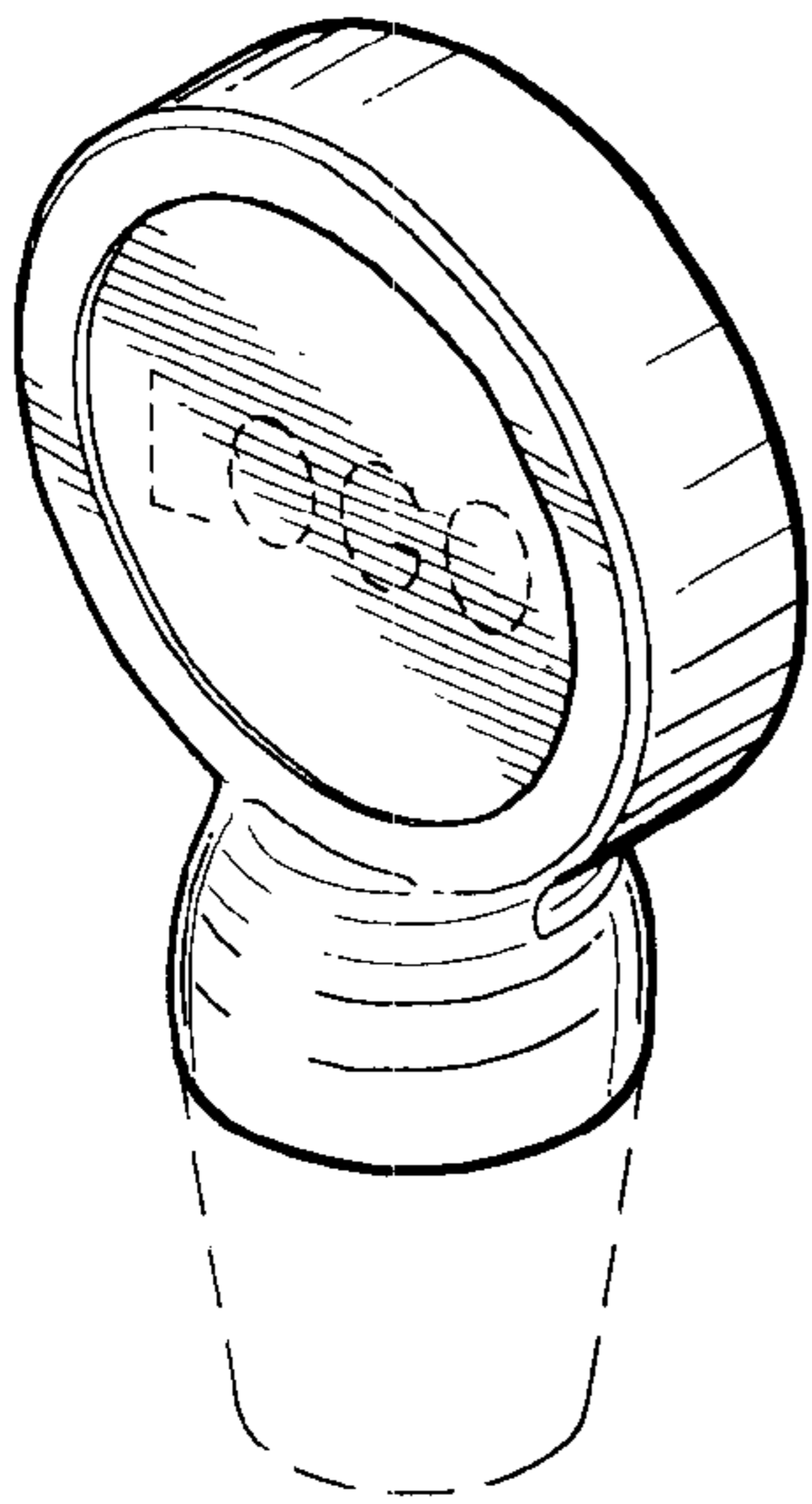
FIG. 3 is an environmental right side elevational view with the left side being a mirror image thereof;

FIG. 4 is a top view thereof.

The broken line showing of the term “LOGO” in FIGS. 1 and 2, is for illustrative purposes only and forms no part of the claimed design. The broken line showing of the stopper in FIGS. 1-3 is for illustrative purposes only, merely disclosing the types of stoppers which can be used, and forms no part of the claimed design.

**1 Claim, 1 Drawing Sheet**

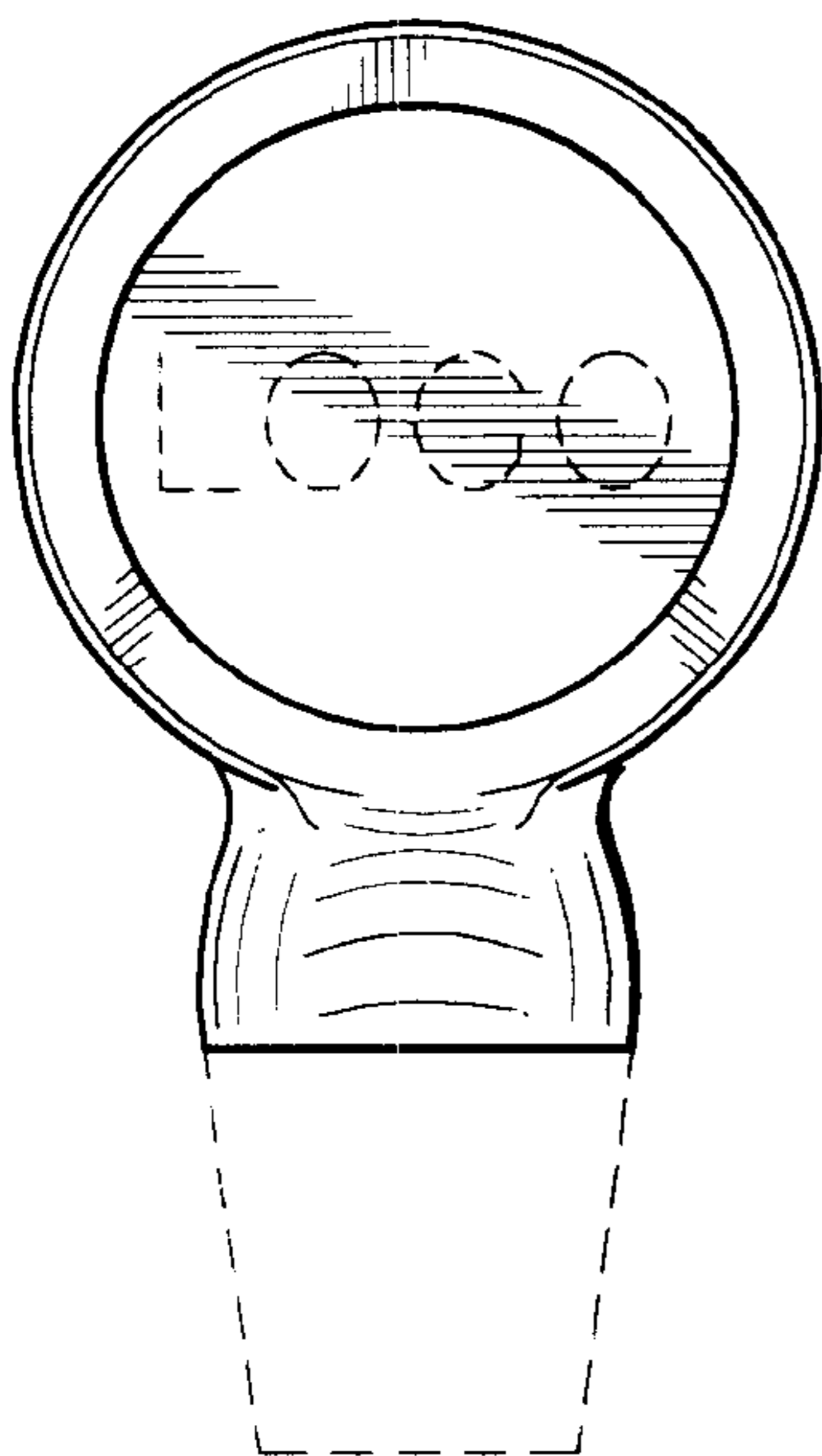




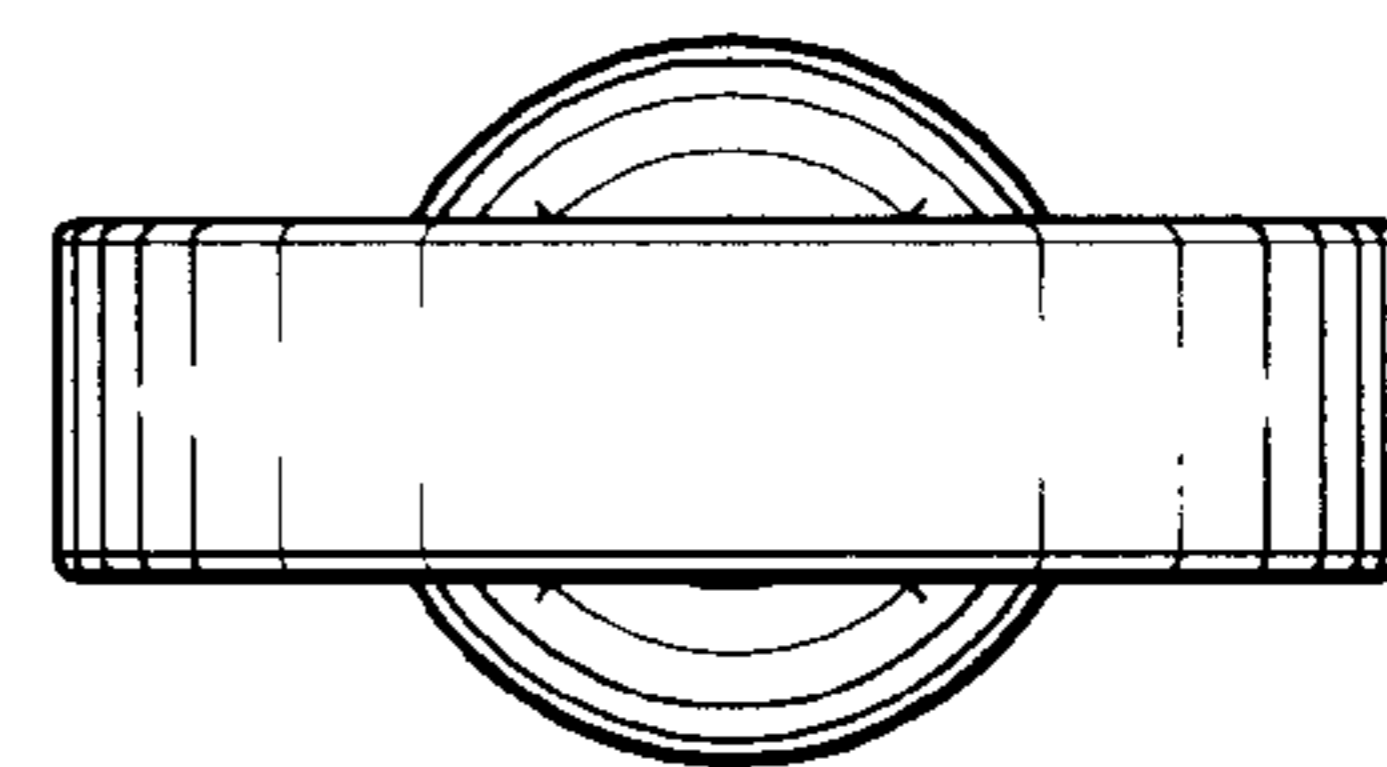
**Fig. 1**



**Fig. 3**



**Fig. 2**



**Fig. 4**