



US00D536966S

(12) **United States Design Patent**
Cecere

(10) **Patent No.:** **US D536,966 S**

(45) **Date of Patent:** **** Feb. 20, 2007**

(54) **COMBINATION BOTTLE TOP BEVERAGE DISPENSER AND CANDY SUCKER**

(76) Inventor: **Al Louis Cecere**, 511 Patterson La., Gatlinburg, TN (US) 37738

(**) Term: **14 Years**

(21) Appl. No.: **29/211,791**

(22) Filed: **Aug. 23, 2004**

(51) **LOC (8) Cl.** **09-07**

(52) **U.S. Cl.** **D9/436; D9/449; D9/453**

(58) **Field of Classification Search** D9/453, D9/452, 449, 447, 446, 443, 436, 435, 643; D8/312, 310; D7/510, 507, 396.2, 393, 392.1, D7/305; D23/250; D13/174; 220/296; 215/318, 215/256, 252, 219; 206/385; D1/199, 130, D1/127, 102; 426/85, 119
See application file for complete search history.

(56) **References Cited**

U.S. PATENT DOCUMENTS

D316,294 S	*	4/1991	Ragonot	D23/250
D359,607 S	*	6/1995	Yun	D1/106
D369,497 S	*	5/1996	Seddon	D9/436
6,325,693 B1	*	12/2001	Rudell et al.	446/81
6,565,899 B1	*	5/2003	Cecere	426/85
D485,167 S	*	1/2004	Chan	D9/643

D490,588 S	*	6/2004	Baker	D1/116
D491,336 S	*	6/2004	Cecere	D1/102
D506,672 S	*	6/2005	Hina	D9/436
2006/0040019 A1	*	2/2006	Cecere	426/85

* cited by examiner

Primary Examiner—Robert M. Spear

Assistant Examiner—Susan Bennett Hattan

(74) *Attorney, Agent, or Firm*—Welsh & Flaxman LLC

(57) **CLAIM**

The ornamental design for a combination bottle top beverage dispenser and candy sucker, as shown and described.

DESCRIPTION

FIG. 1 is a front perspective view of a combination bottle top beverage dispenser and candy sucker showing my new design, with the transparent cover removed for clarity of disclosure.

FIG. 2 is a top view thereof.

FIG. 3 is a side view thereof.

FIG. 4 is a front view thereof.

FIG. 5 is a rear view thereof.

FIG. 6 is a front perspective view thereof with a transparent cover thereon.

FIG. 7 is a rear view thereof with a transparent cover thereon; and,

FIG. 8 is a top view thereof with a transparent cover thereon.

1 Claim, 3 Drawing Sheets

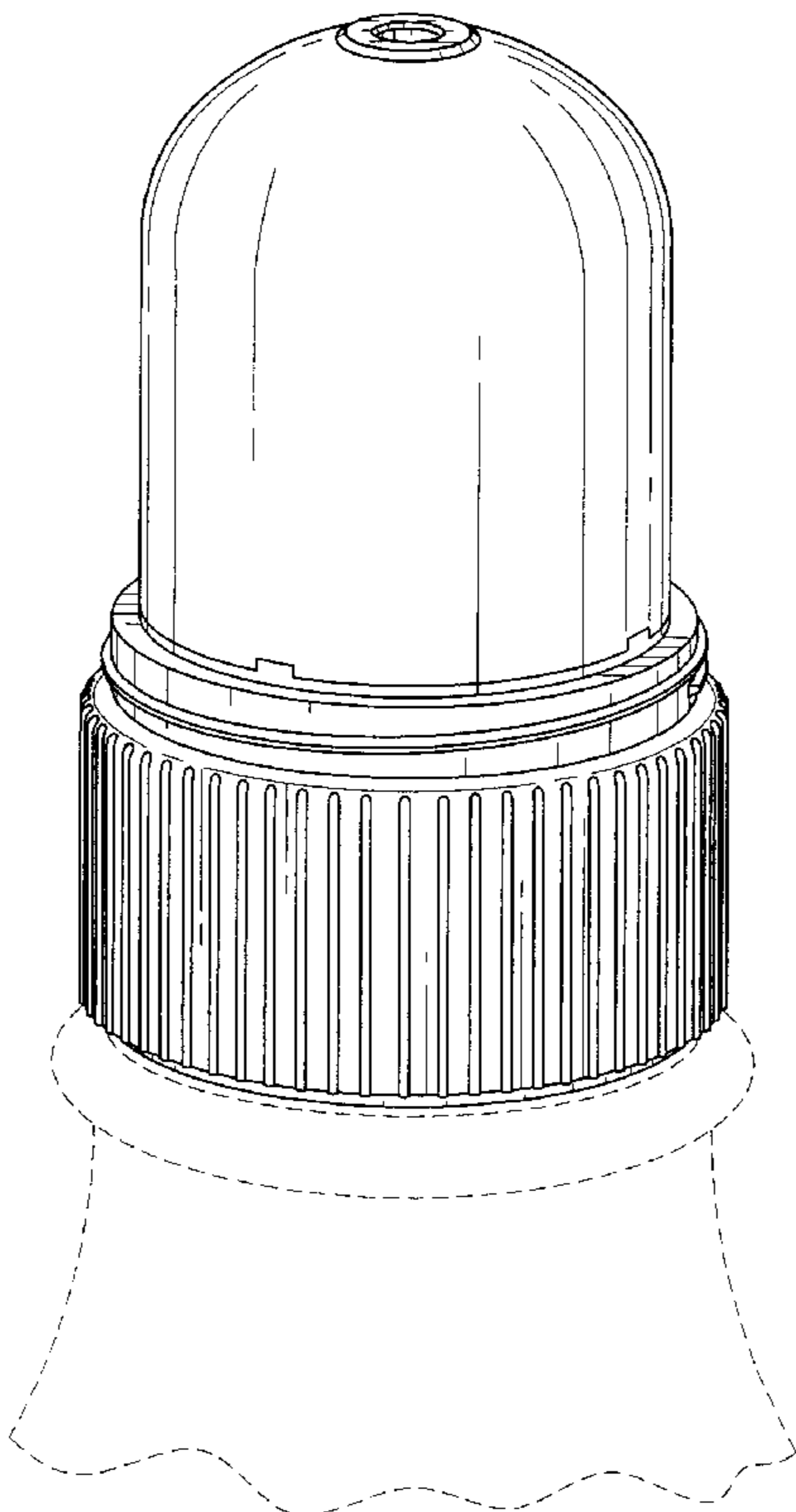


FIG. 1

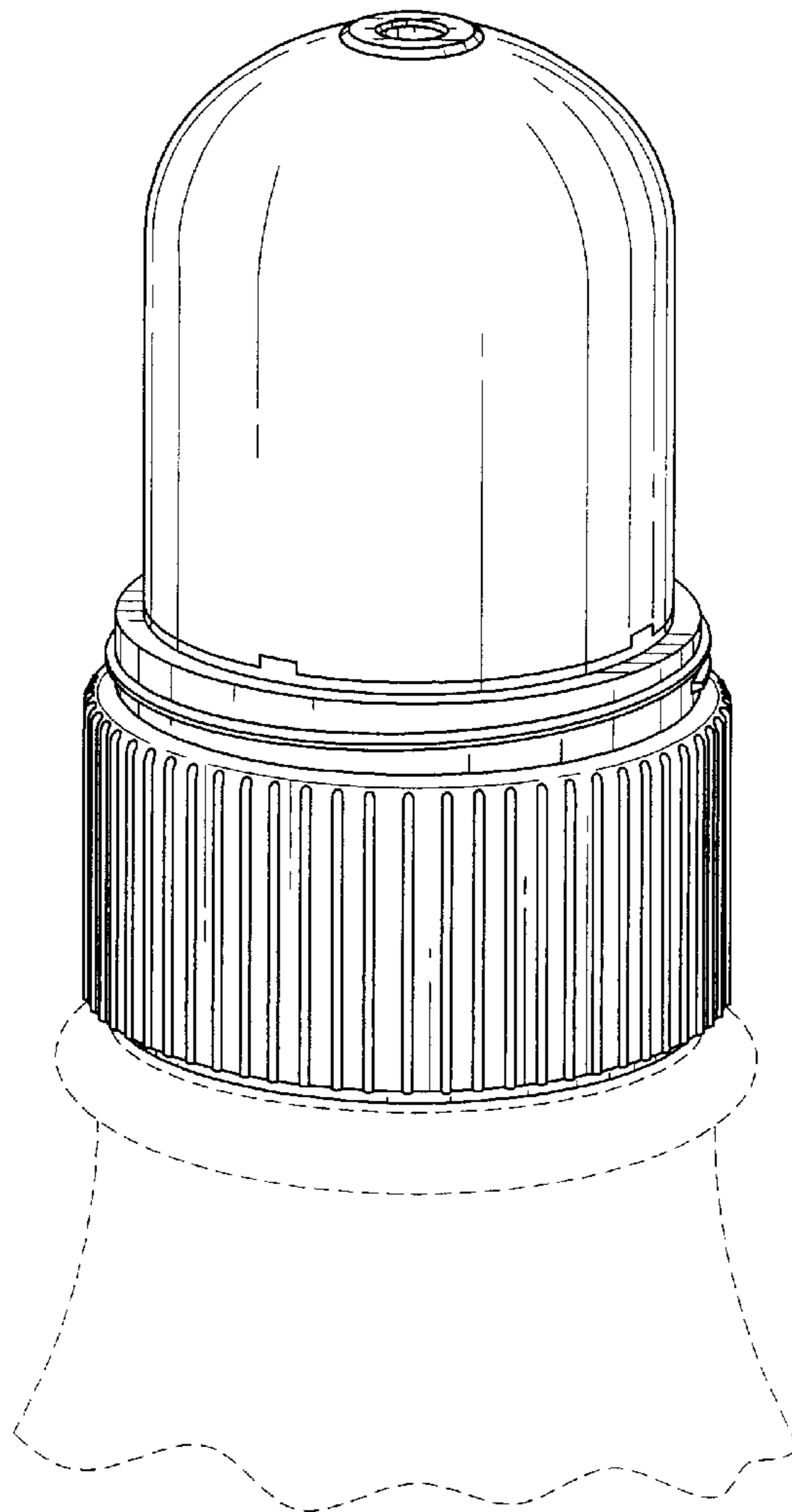
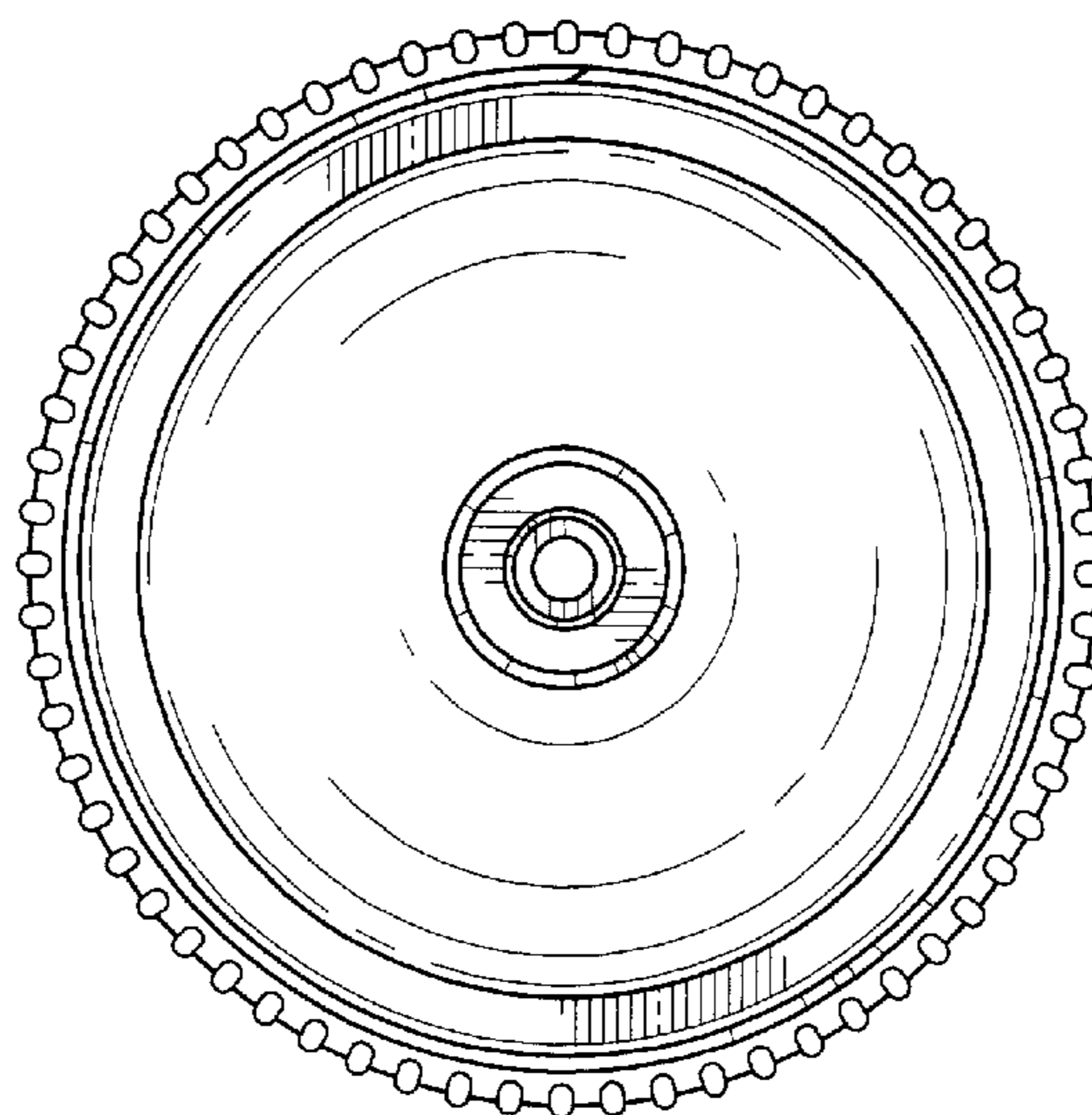


FIG. 2



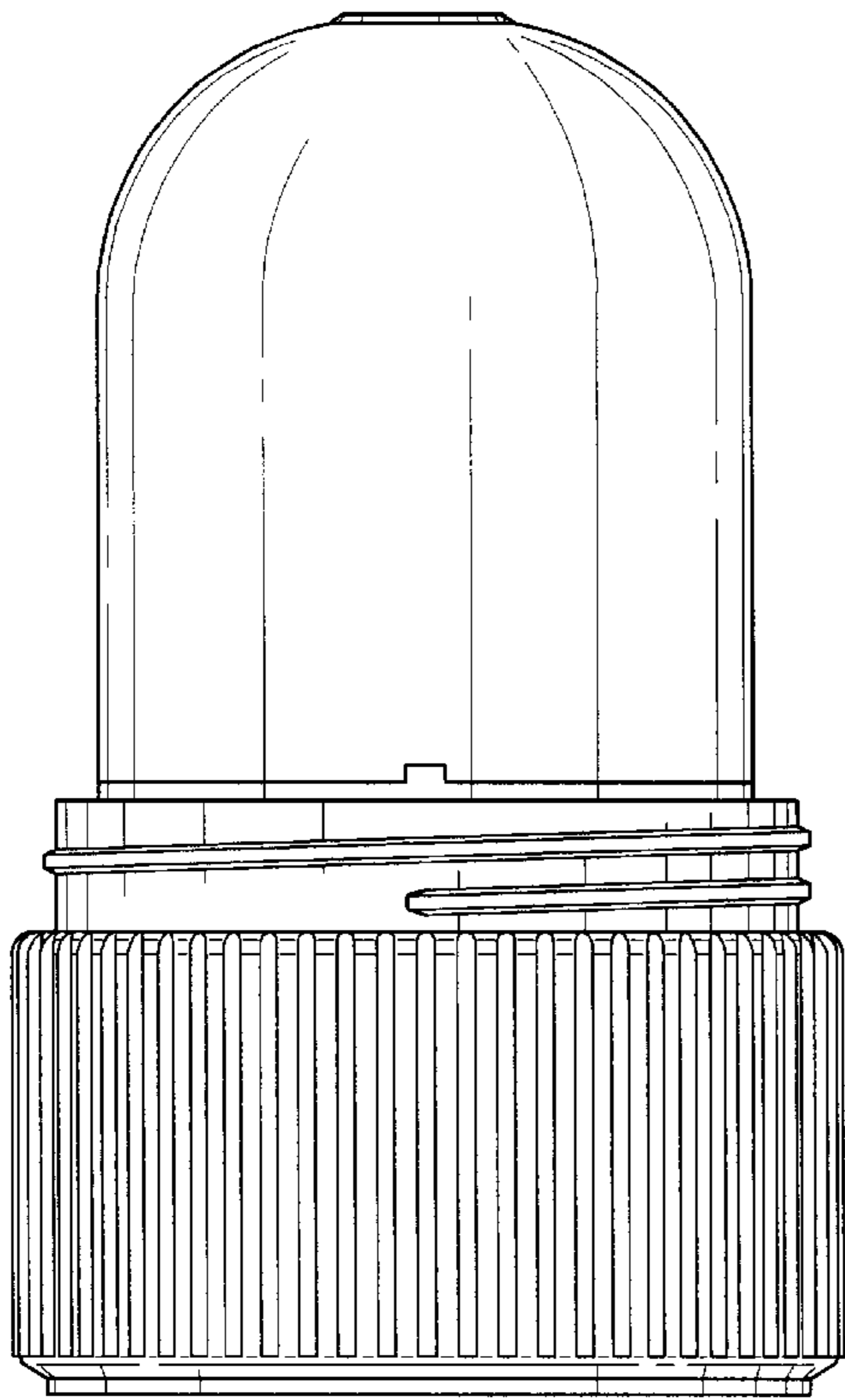


FIG. 3

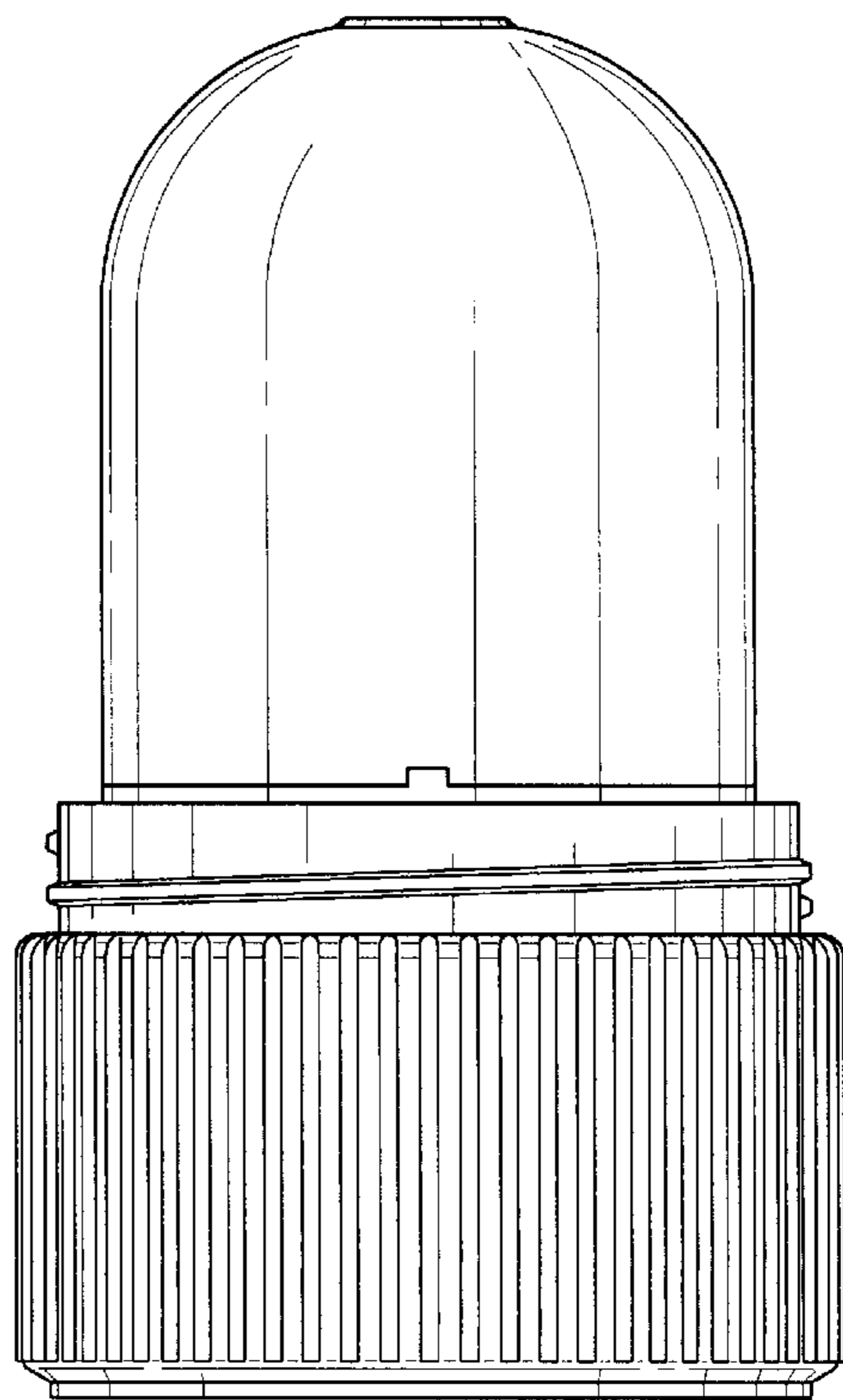


FIG. 4

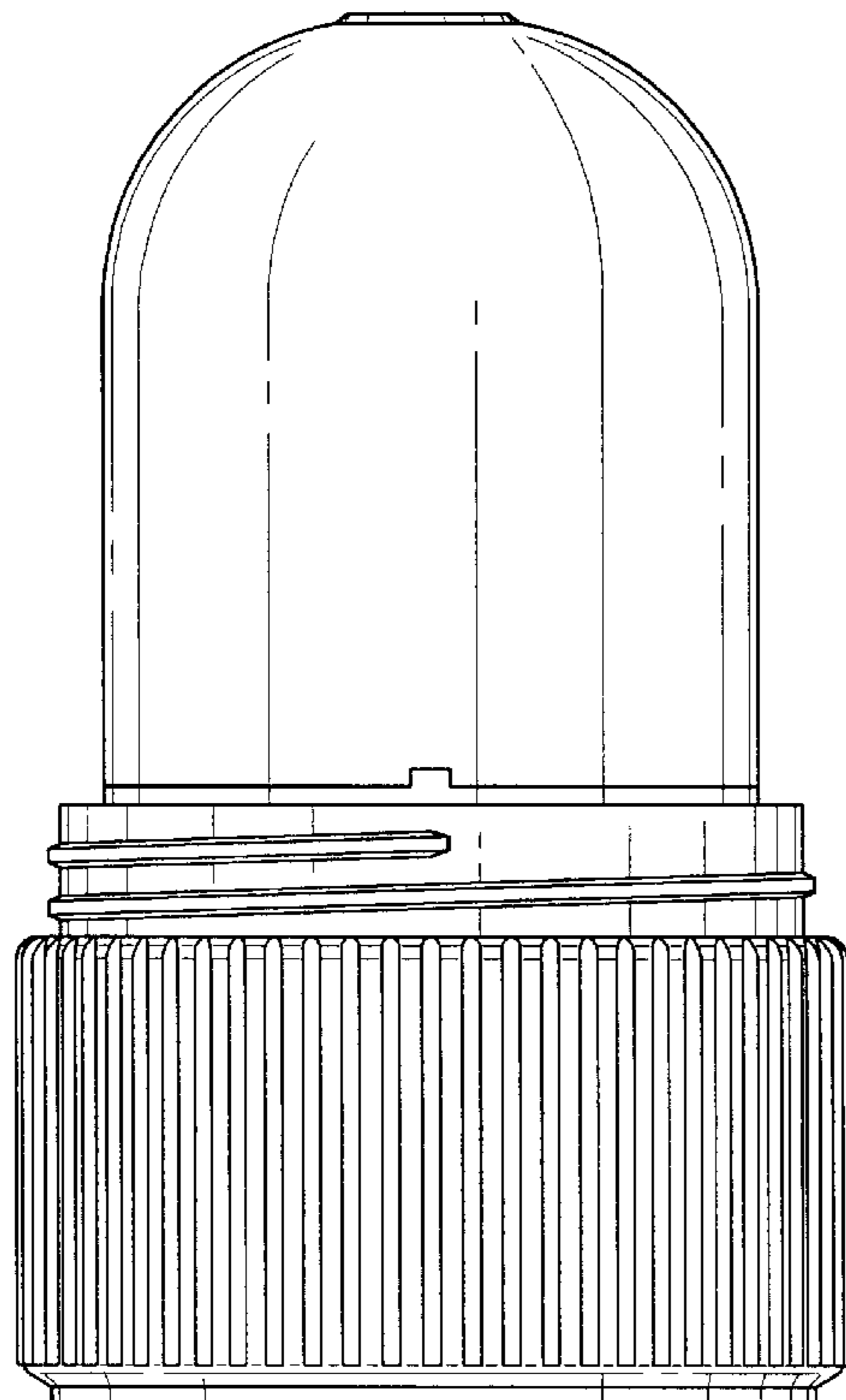


FIG. 5

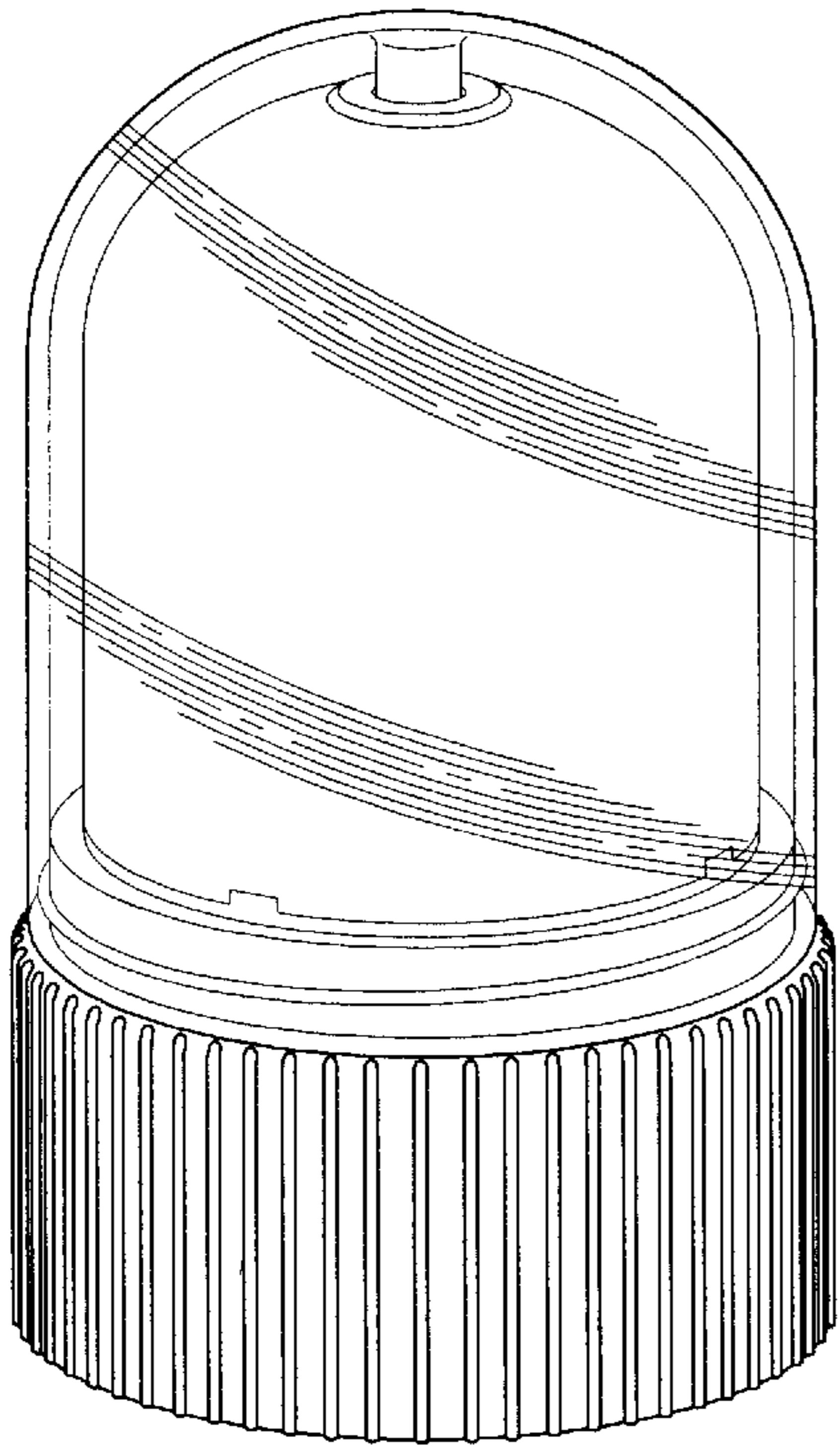


FIG. 6

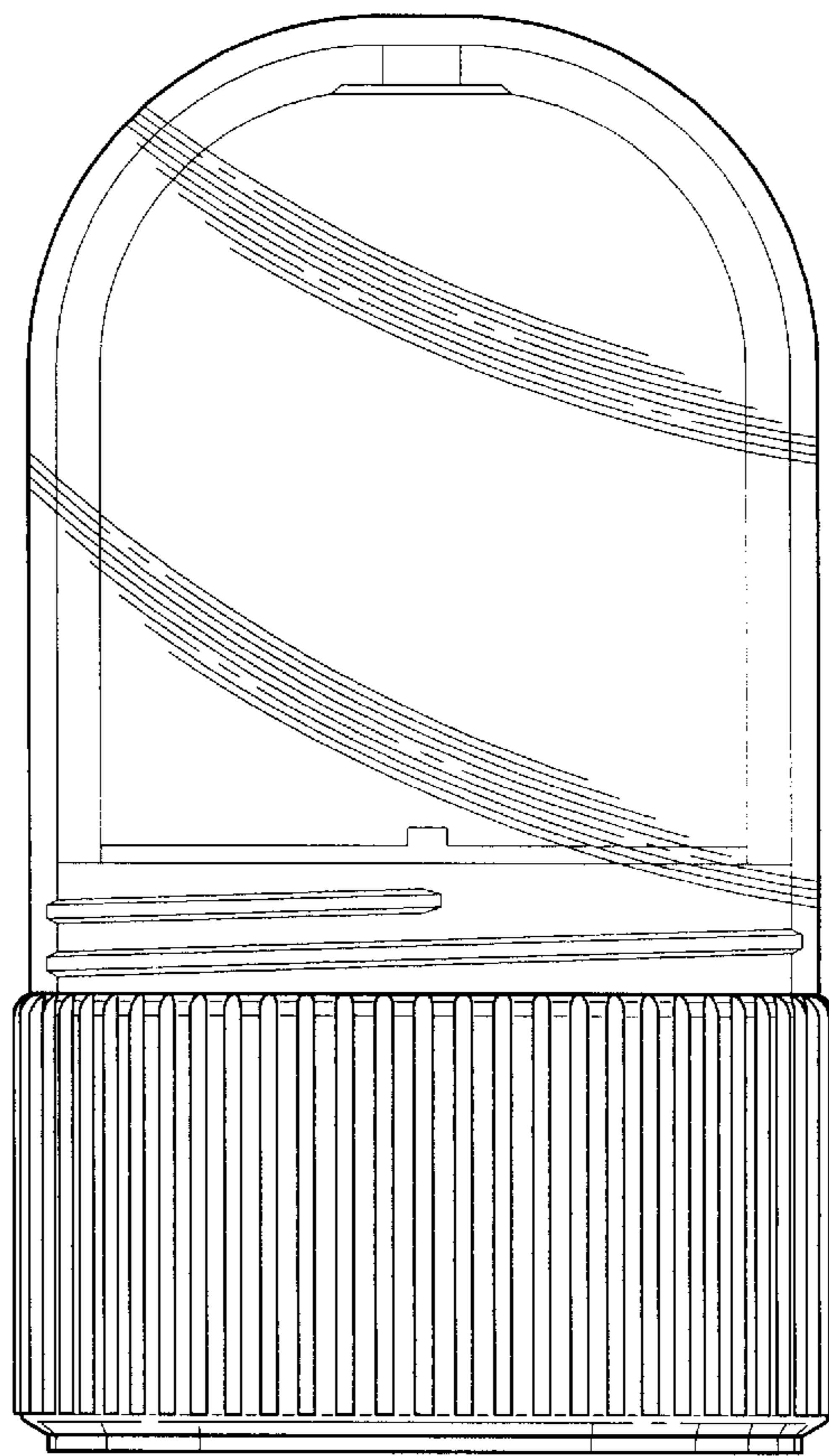


FIG. 7

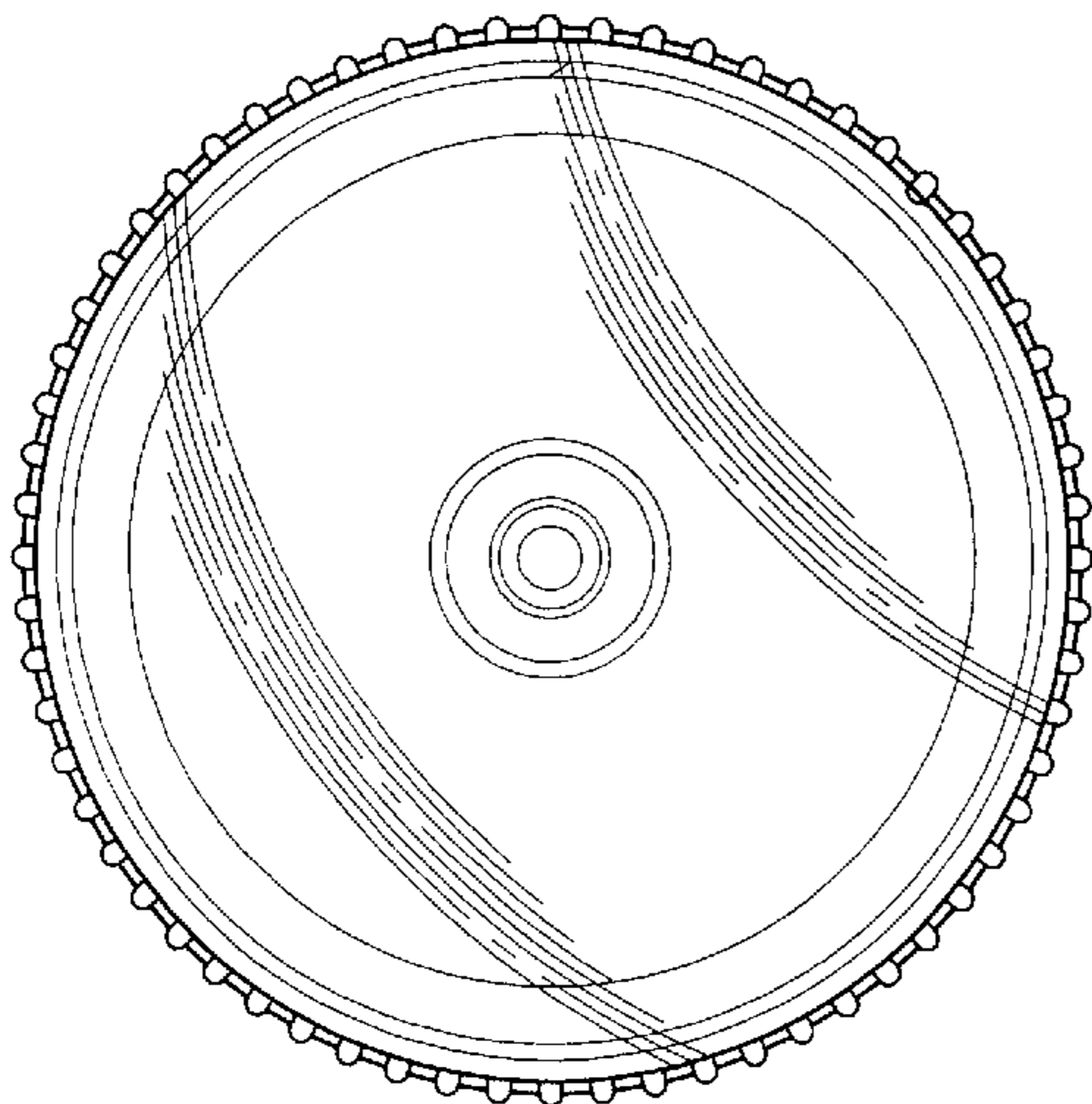


FIG. 8