

US00D536965S

(12) **United States Design Patent**  
**Levy**

(10) **Patent No.:** **US D536,965 S**

(45) **Date of Patent:** **\*\* Feb. 20, 2007**

(54) **SLANTED BOX**

(76) Inventor: **Zachary W. Levy**, 178 E. 70th St. #8R,  
New York, NY (US) 10021

(\*\*) Term: **14 Years**

(21) Appl. No.: **29/235,842**

(22) Filed: **Aug. 8, 2005**

(51) **LOC (8) Cl.** ..... **09-03**

(52) **U.S. Cl.** ..... **D9/430; D9/433**

(58) **Field of Classification Search** ..... D9/414,  
D9/420, 422, 423, 430-433, 499; D27/183;  
D21/376, 392; 206/822; 221/305; 273/292,  
273/294; 229/92.7, 100, 103.2, 105, 106,  
229/108, 111, 112, 116, 127, 160.1, 193,  
229/223

See application file for complete search history.

(56) **References Cited**

**U.S. PATENT DOCUMENTS**

D10,750 S	*	7/1878	Pearl	.....	D9/432
347,192 A	*	8/1886	Owen	.....	273/294
1,433,439 A	*	10/1922	Weis	.....	229/149
D132,923 S	*	6/1942	McIntosh	.....	D9/433
2,528,830 A	*	11/1950	Ilff	.....	229/108
2,683,604 A	*	7/1954	Abdo	.....	273/294
D261,614 S	*	11/1981	Vallone	.....	D9/619
4,434,896 A	*	3/1984	Beloate et al.	.....	229/223

6,598,737 B2	*	7/2003	Rudnick	.....	206/63.3
D507,484 S	*	7/2005	Kumakura et al.	.....	D9/430
2005/0092820 A1	*	5/2005	Chekroune	.....	229/102

\* cited by examiner

*Primary Examiner*—Stella Reid  
*Assistant Examiner*—Mark Goodwin  
(74) *Attorney, Agent, or Firm*—Elliot Furman

(57) **CLAIM**

I claim the ornamental design for a slanted box, as shown and described.

**DESCRIPTION**

FIG. 1 is a front perspective view of a slanted box showing my new design.

FIG. 2 is a front view thereof.

FIG. 3 is a rear view thereof.

FIG. 4 is a left side view thereof.

FIG. 5 is a right side view thereof.

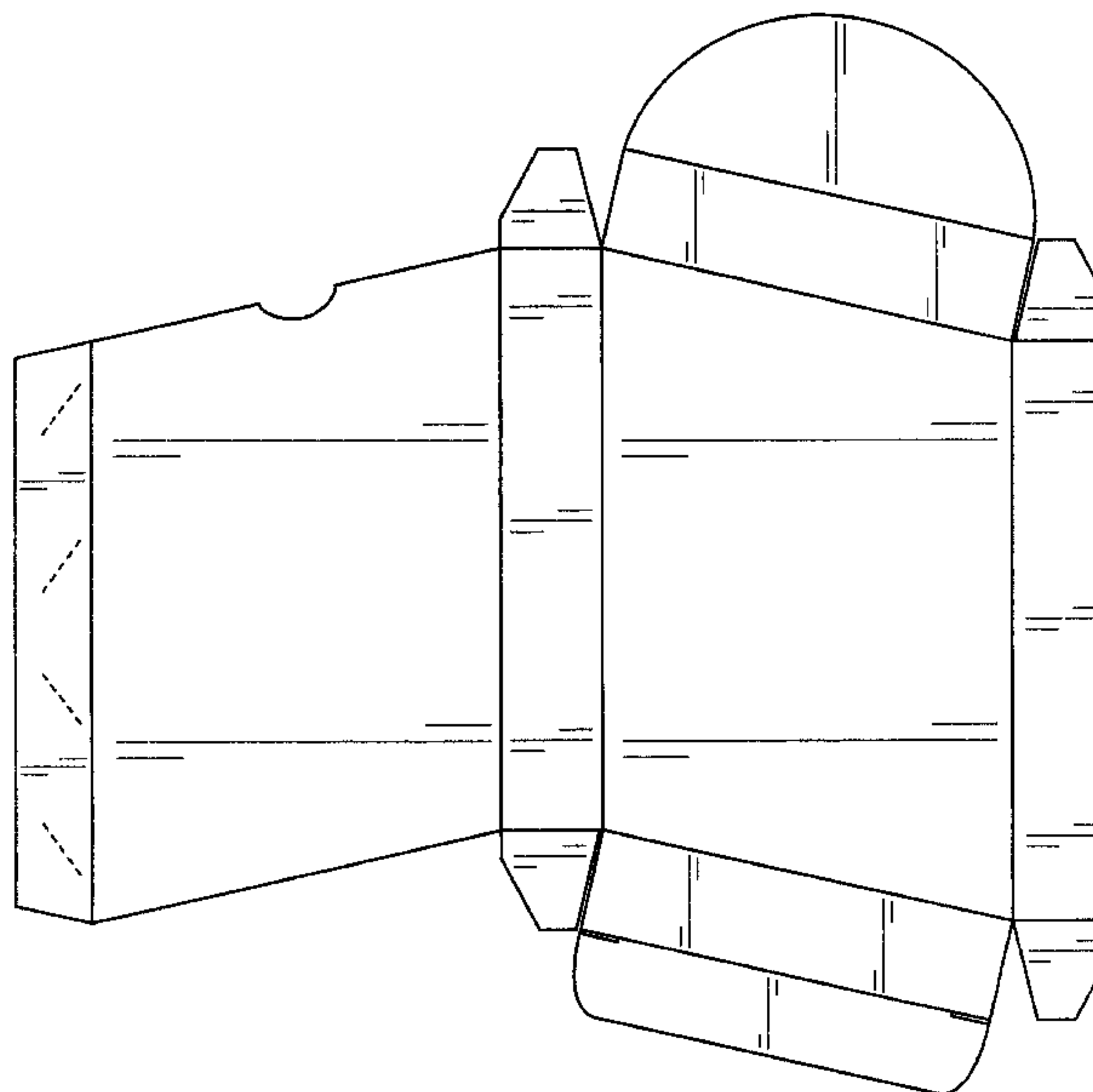
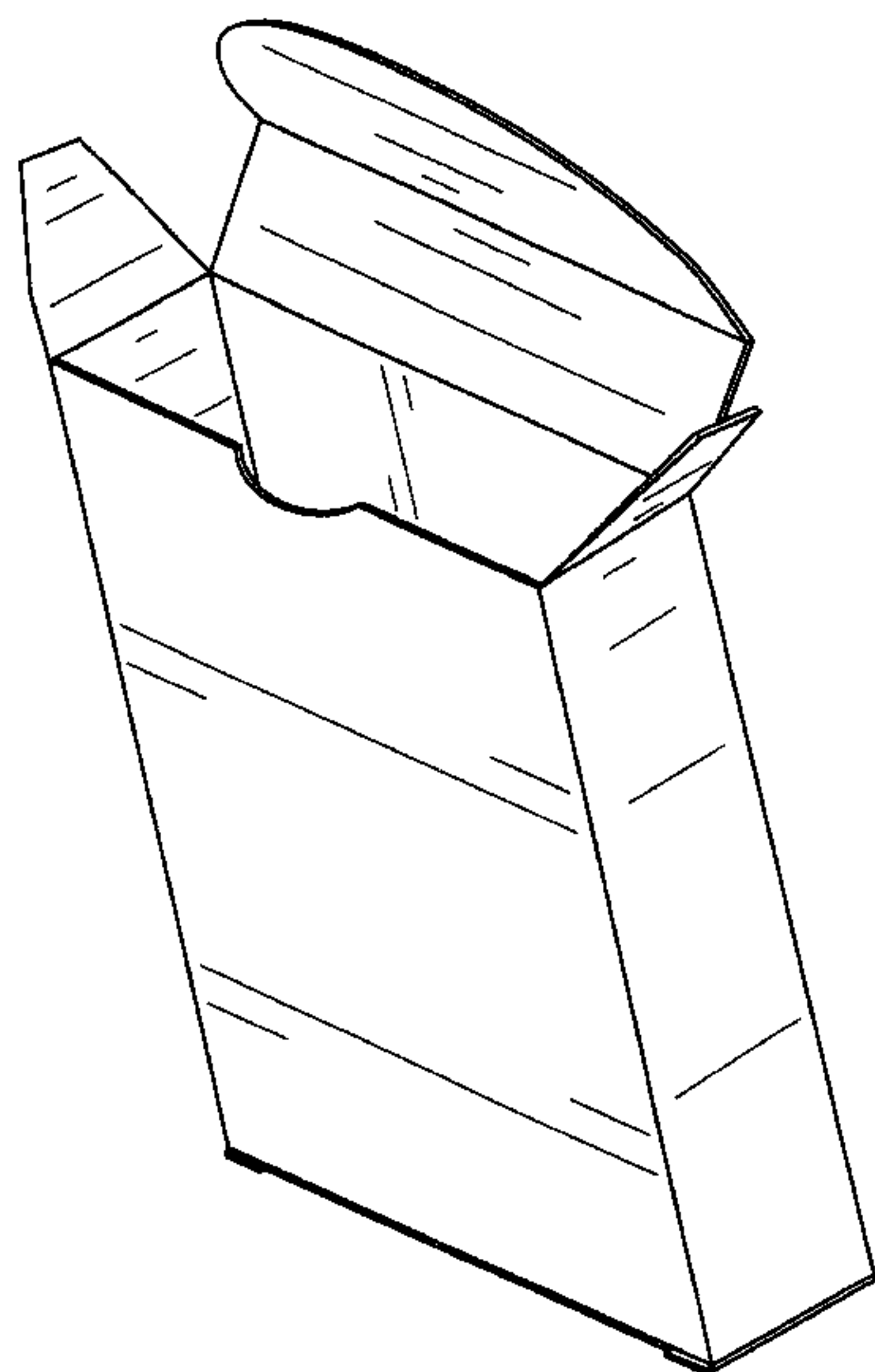
FIG. 6 is a top view thereof.

FIG. 7 is a bottom view thereof.

FIG. 8 is a rear perspective view thereof with the top flap in an open position; and,

FIG. 9 is a plan view of the slanted box blank prior to being folded to form the entire slanted box, where the broken diagonal lines indicate glue points and are for illustrative purposes only.

**1 Claim, 9 Drawing Sheets**



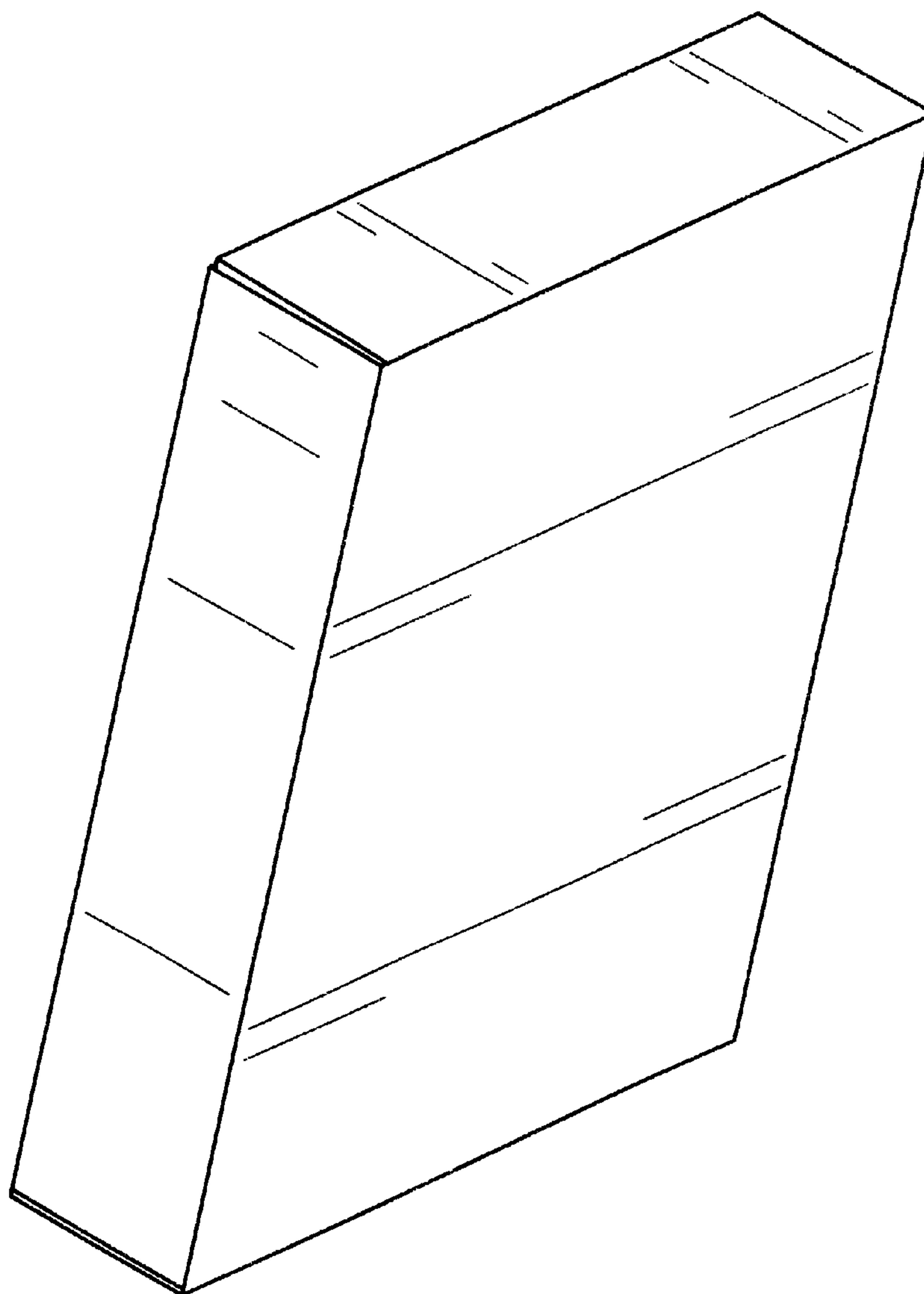


FIG. 1

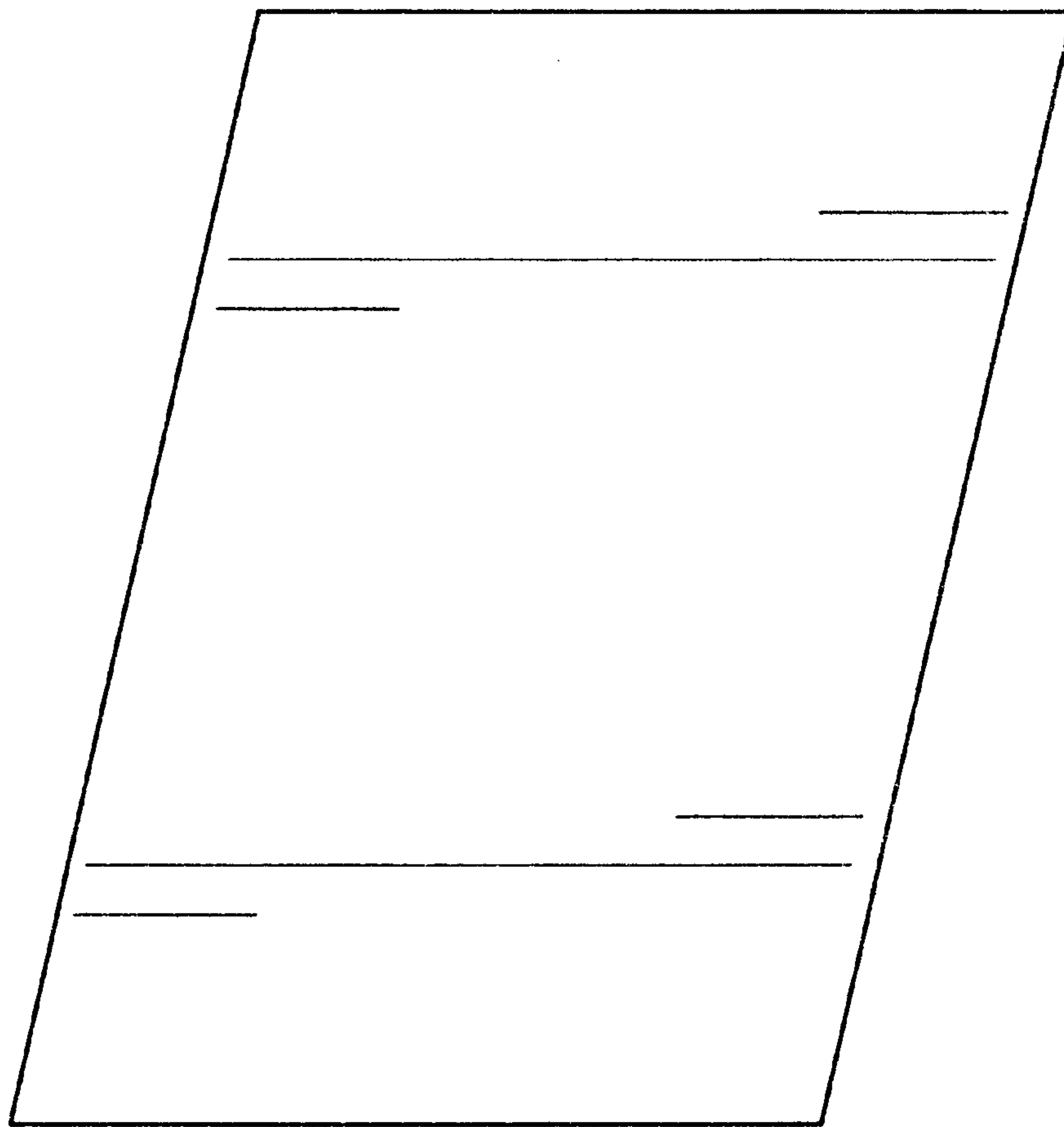


FIG. 2

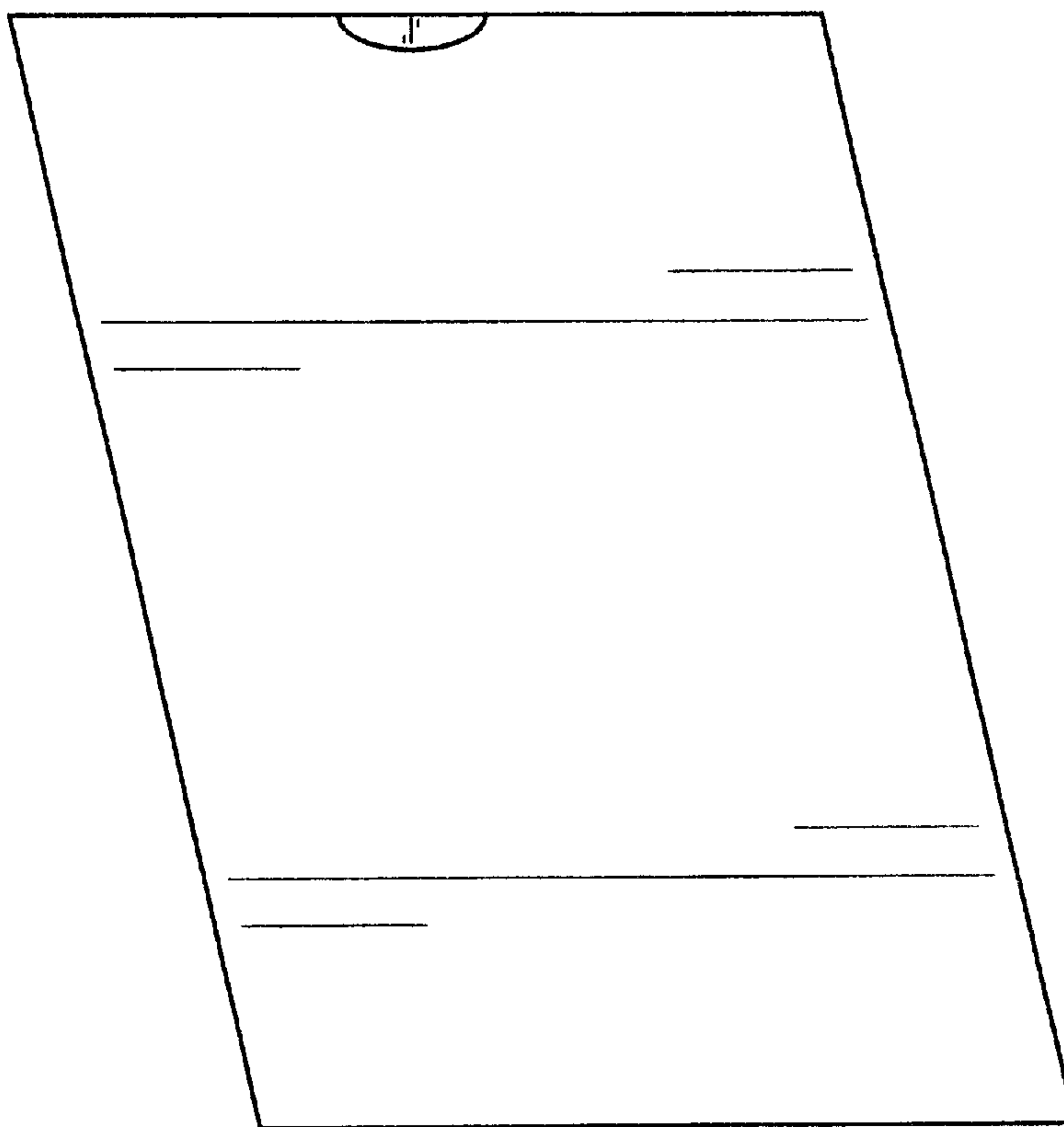


FIG. 3

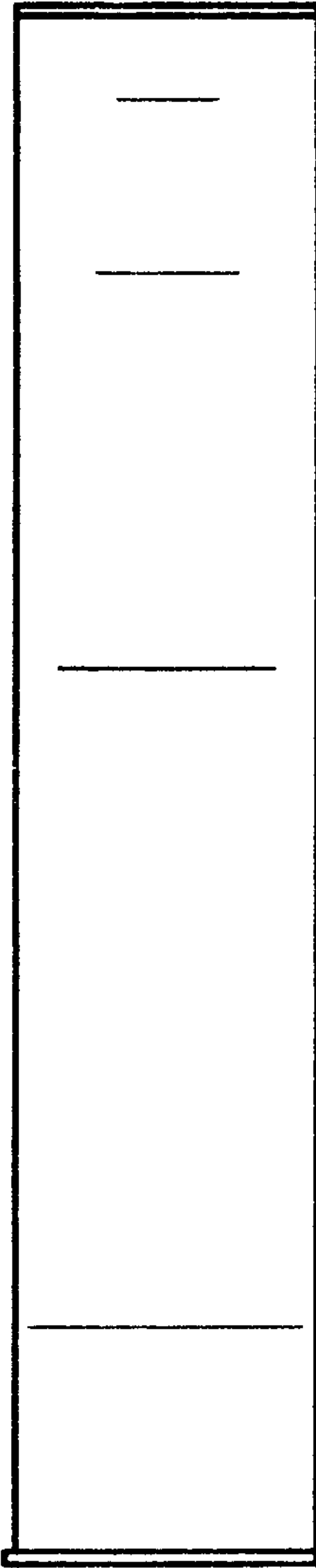


FIG. 4

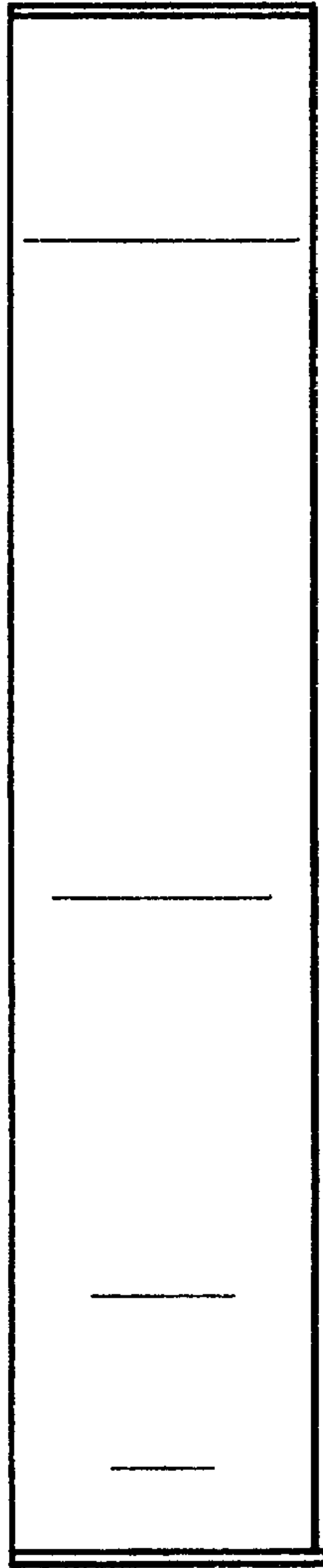


FIG. 5

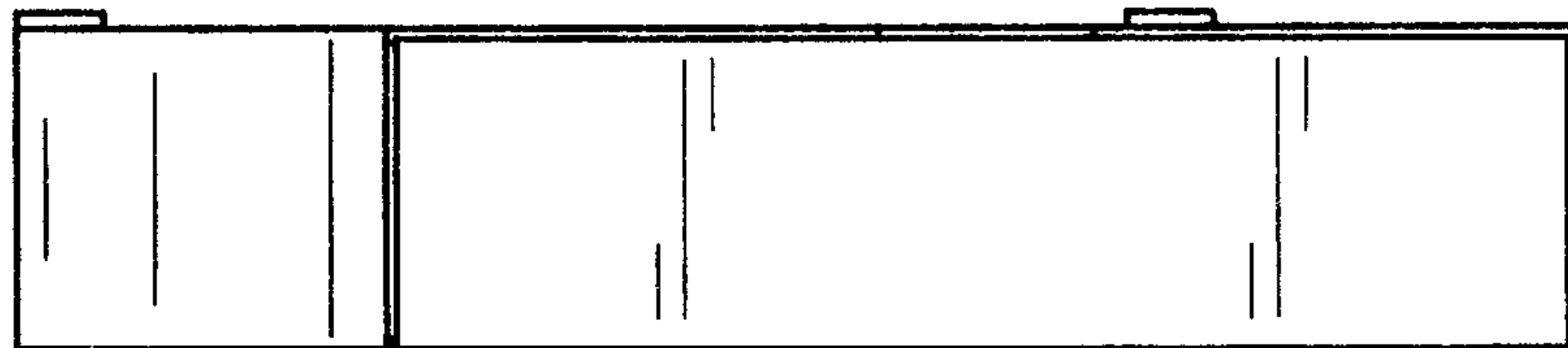


FIG. 6

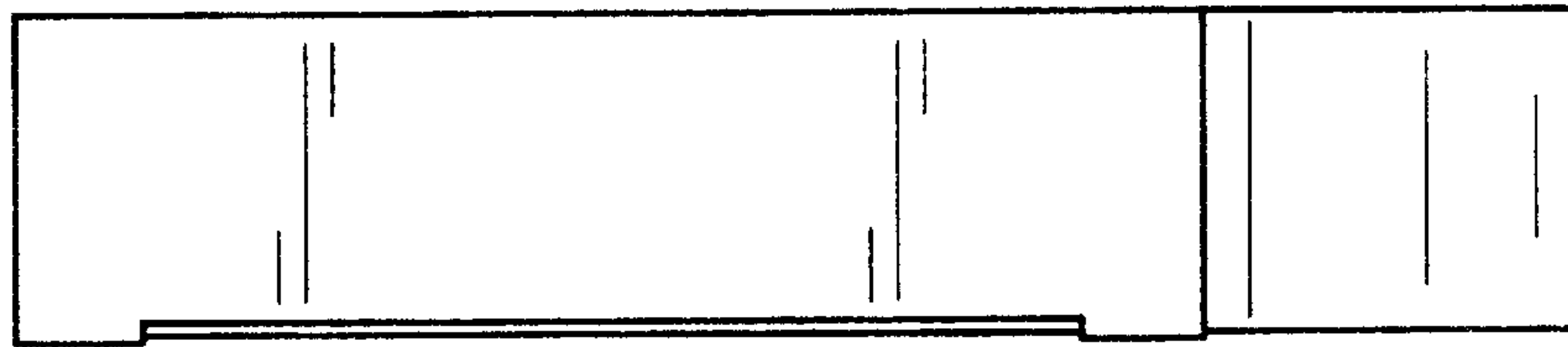


FIG. 7



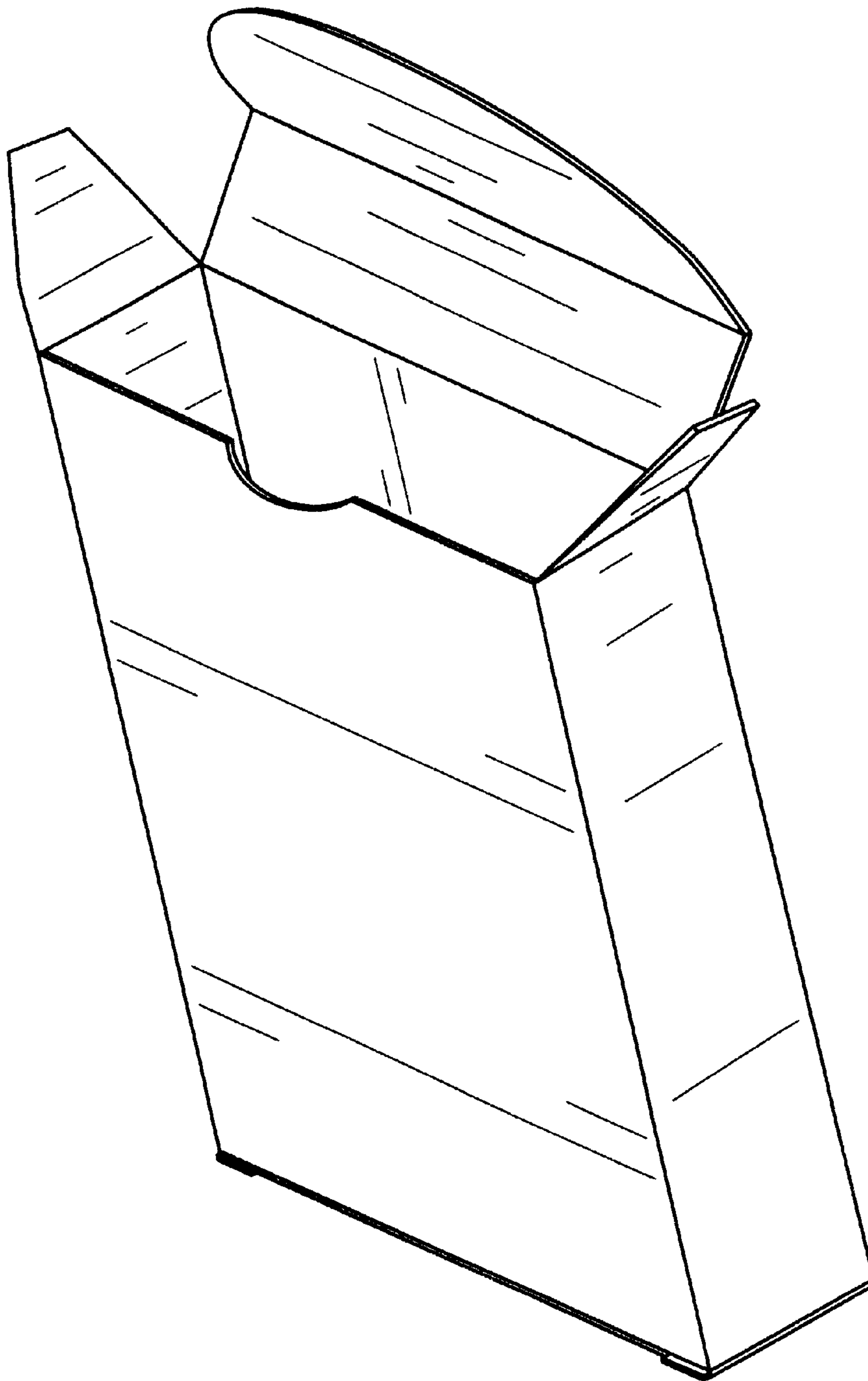


FIG. 8

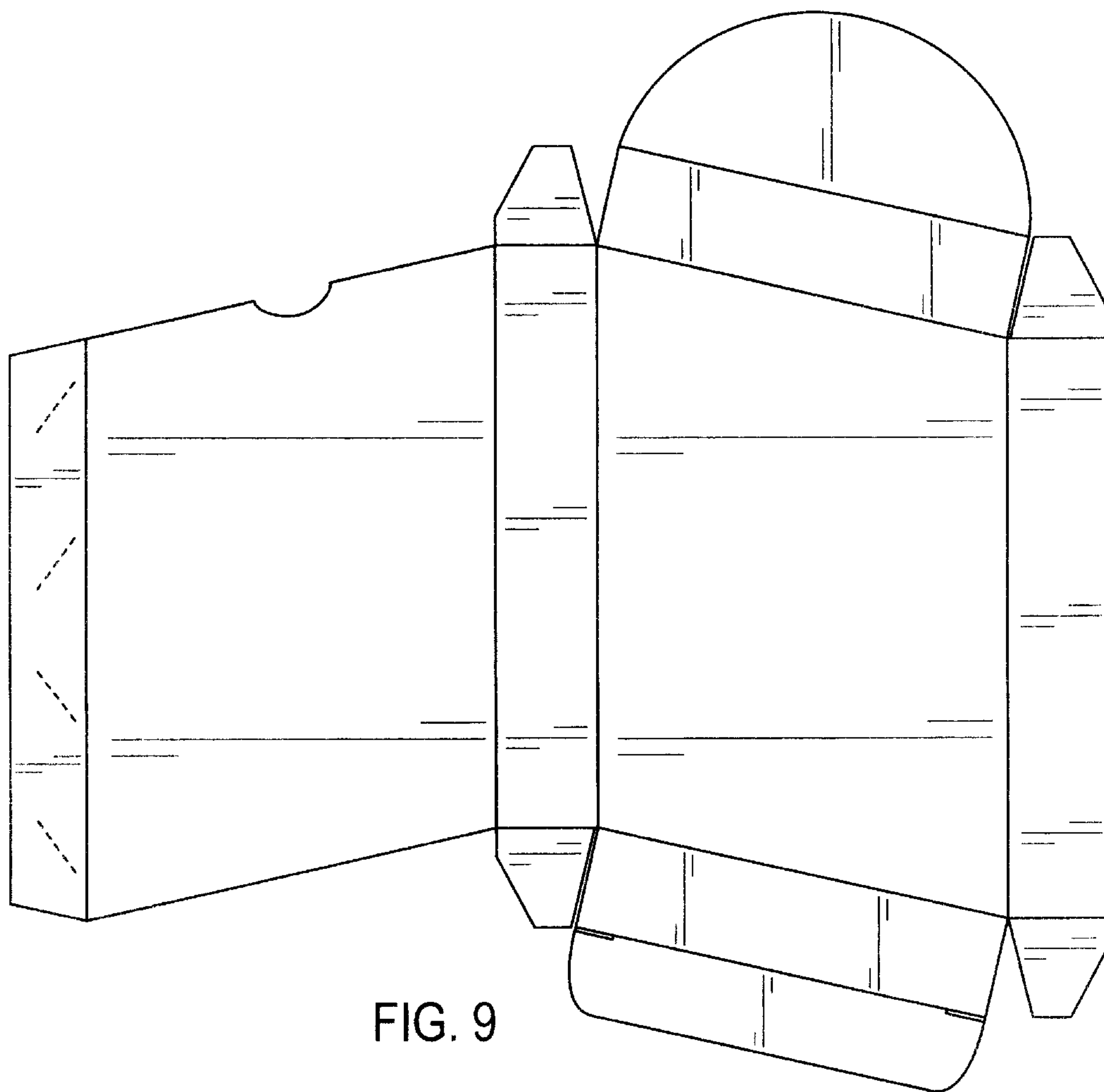


FIG. 9