



US00D536958S

(12) **United States Design Patent**  
**Ruhlander**

(10) **Patent No.:** **US D536,958 S**

(45) **Date of Patent:** **\*\* Feb. 20, 2007**

(54) **FOLD-OVER, CONDUIT RETAINING CLIP**

6,131,859 A \* 10/2000 Giuliano ..... 248/62  
D484,592 S \* 12/2003 Ryhman et al. .... D24/128  
6,883,762 B2 \* 4/2005 Miura et al. .... 248/74.2

(75) Inventor: **Gregory Phillip Ruhlander**, Rochester Hills, MI (US)

\* cited by examiner

(73) Assignee: **Dura Global Technologies, Inc.**, Rochester Hills, MI (US)

*Primary Examiner*—Louis S. Zarfaz  
*Assistant Examiner*—John Windmuller

(\*\*) Term: **14 Years**

(74) *Attorney, Agent, or Firm*—Dean B. Watson; Dura Automotive Systems, Inc.

(21) Appl. No.: **29/224,022**

(57) **CLAIM**

(22) Filed: **Feb. 23, 2005**

The ornamental design for a fold-over conduit retaining clip, as shown and described.

(51) **LOC (8) Cl.** ..... **08-08**

(52) **U.S. Cl.** ..... **D8/396**

(58) **Field of Classification Search** ..... D8/354–356,  
D8/371, 394–396, 382; 24/16 R, 279; 248/49,  
248/62, 74.1–74.4, 73

See application file for complete search history.

**DESCRIPTION**

FIG. 1 is a perspective view of a fold-over conduit retaining clip showing my new design; FIG. 2 is a front elevational view thereof; FIG. 3 is a rear elevational view thereof; FIG. 4 is a right side elevational view thereof; FIG. 5 is a left side elevational view thereof; FIG. 6 is a top plan view thereof; and, FIG. 7 is a bottom plan view thereof.

The portions of the drawings appearing in broken line are for environment only and do not form a part of the design.

(56) **References Cited**

U.S. PATENT DOCUMENTS

4,723,948 A \* 2/1988 Clark et al. .... 604/533  
4,881,760 A \* 11/1989 Runkles et al. .... 285/93  
5,133,523 A \* 7/1992 Daigle et al. .... 248/62  
6,099,519 A \* 8/2000 Olsen et al. .... 604/534

**1 Claim, 4 Drawing Sheets**

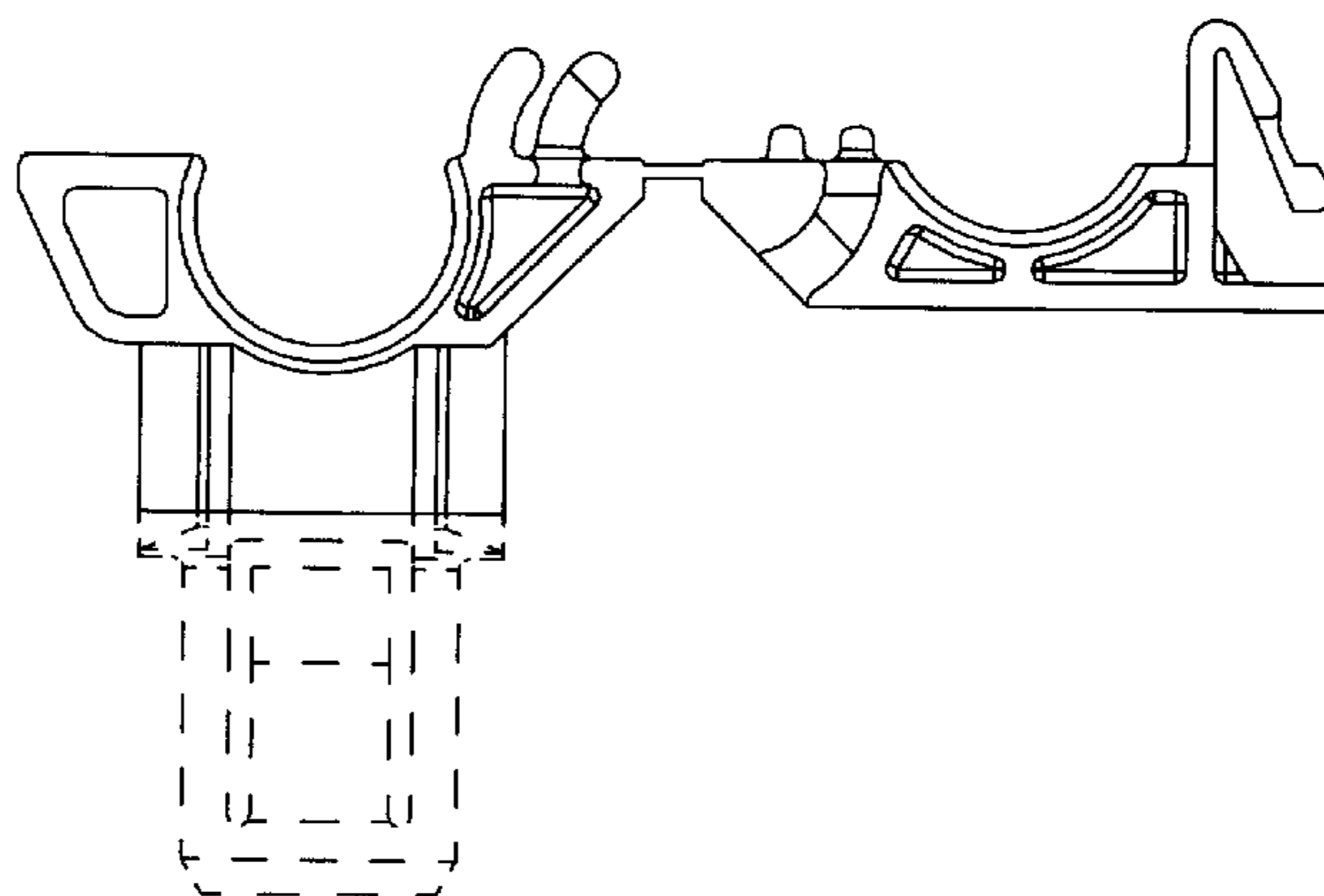
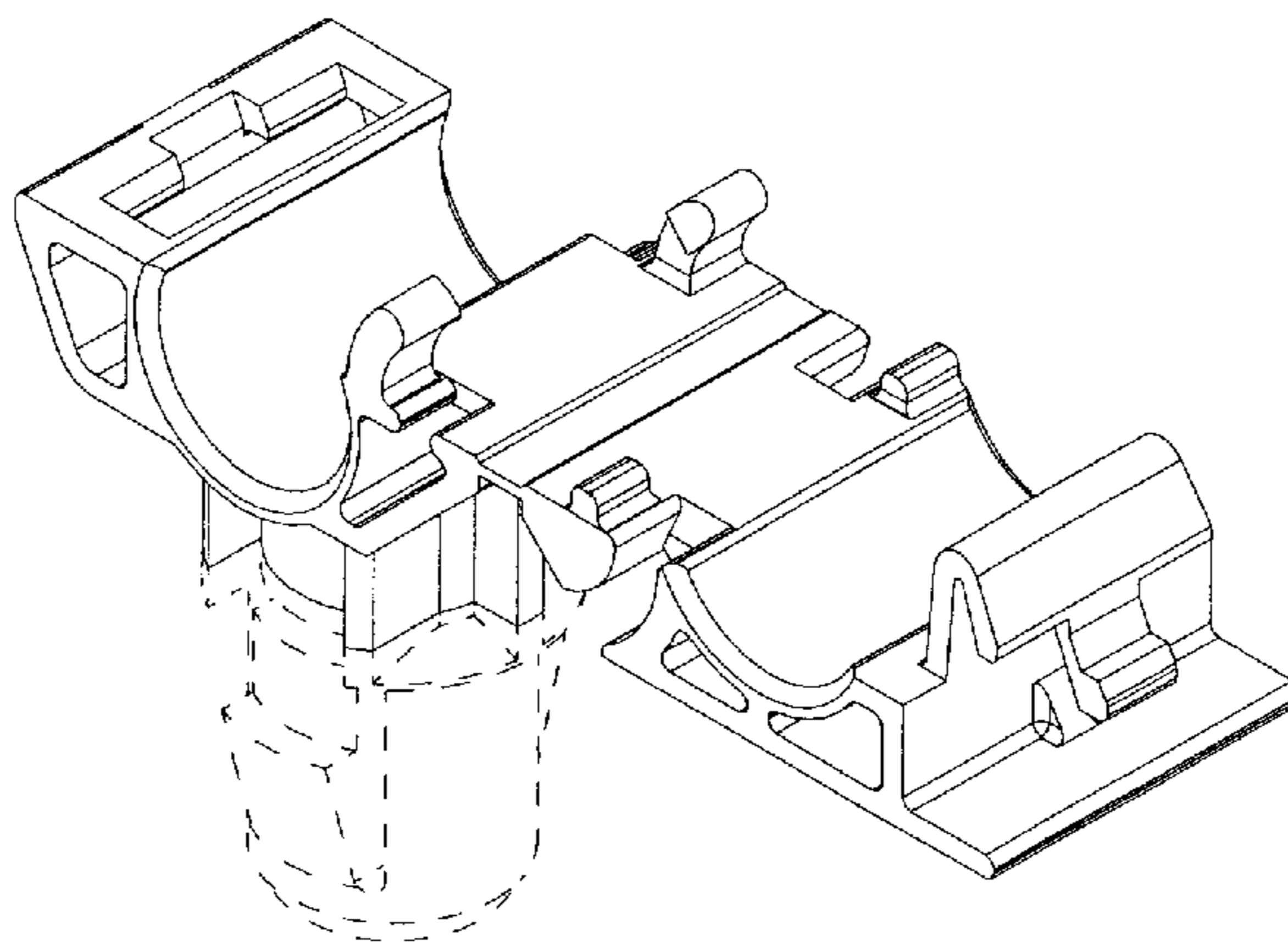
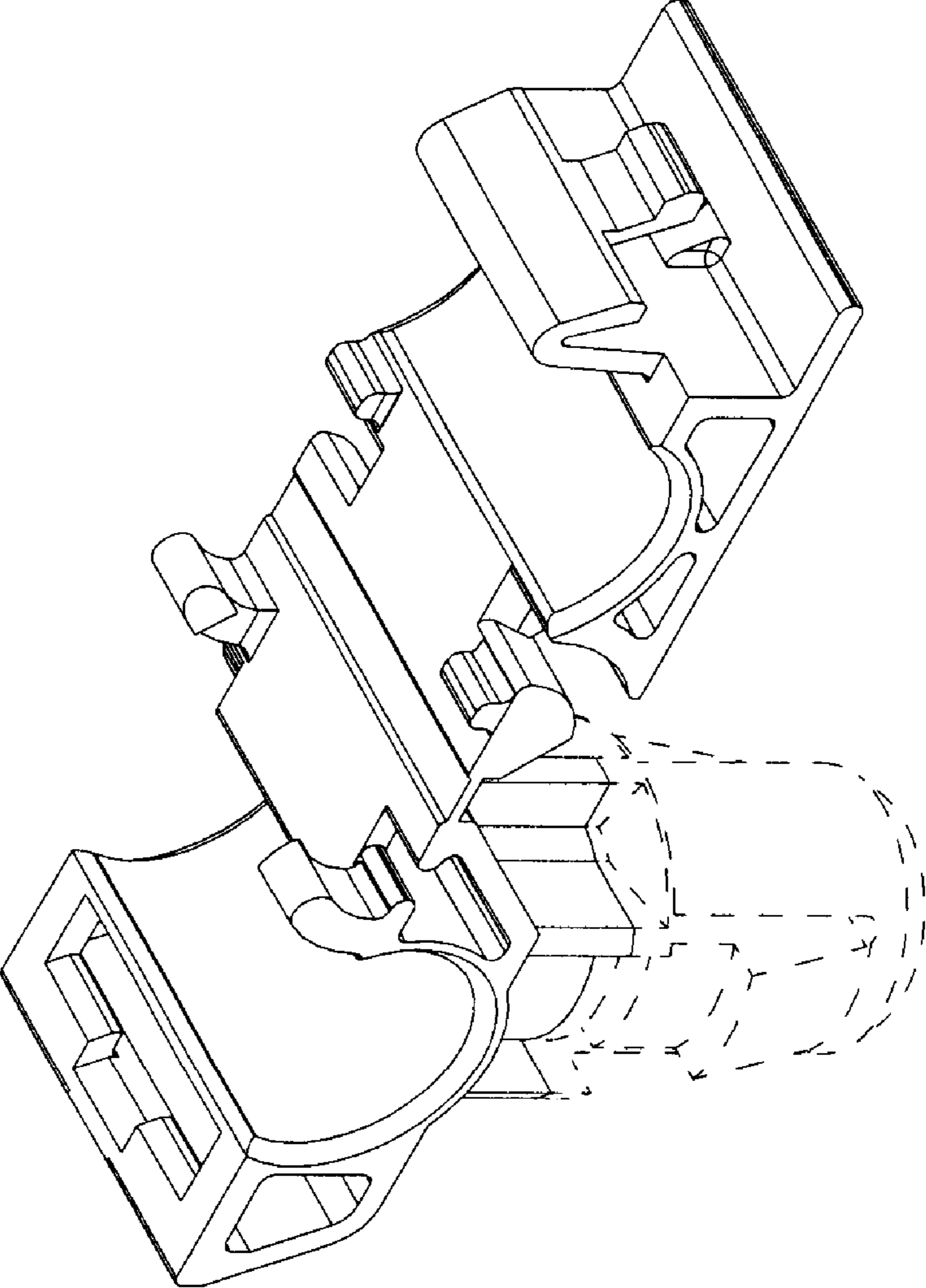


Fig. 1



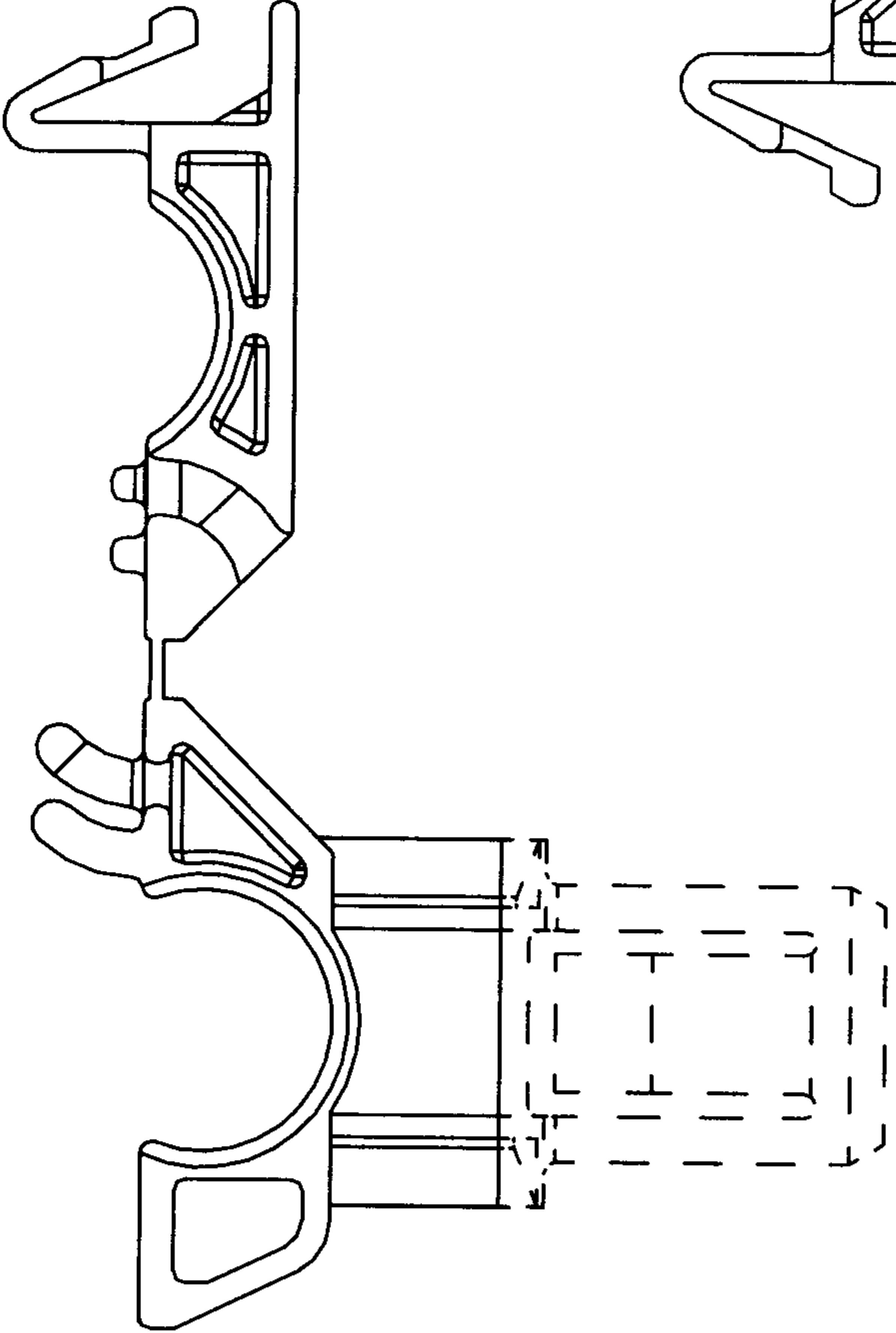


Fig. 3

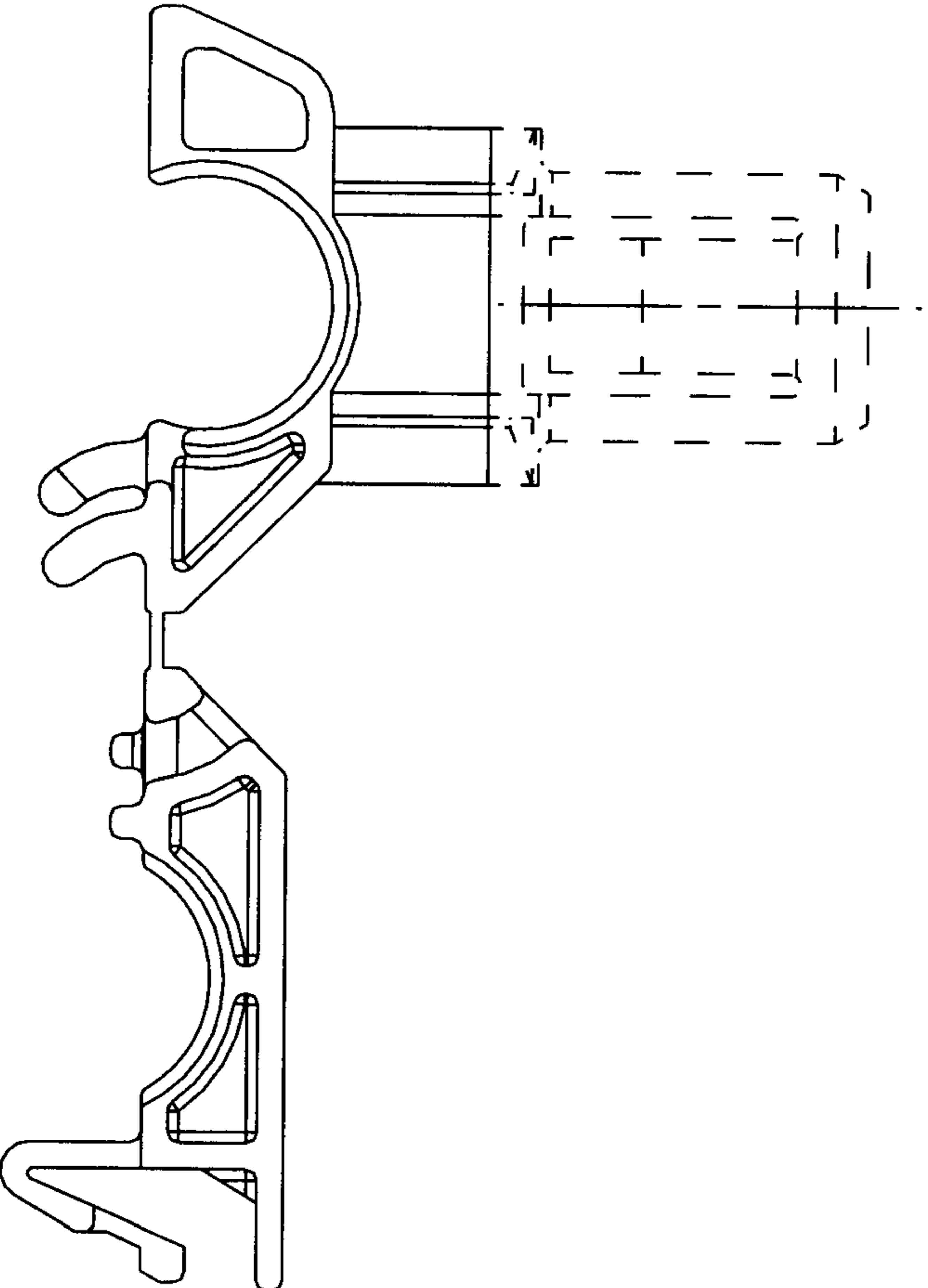


Fig. 2

Fig. 4

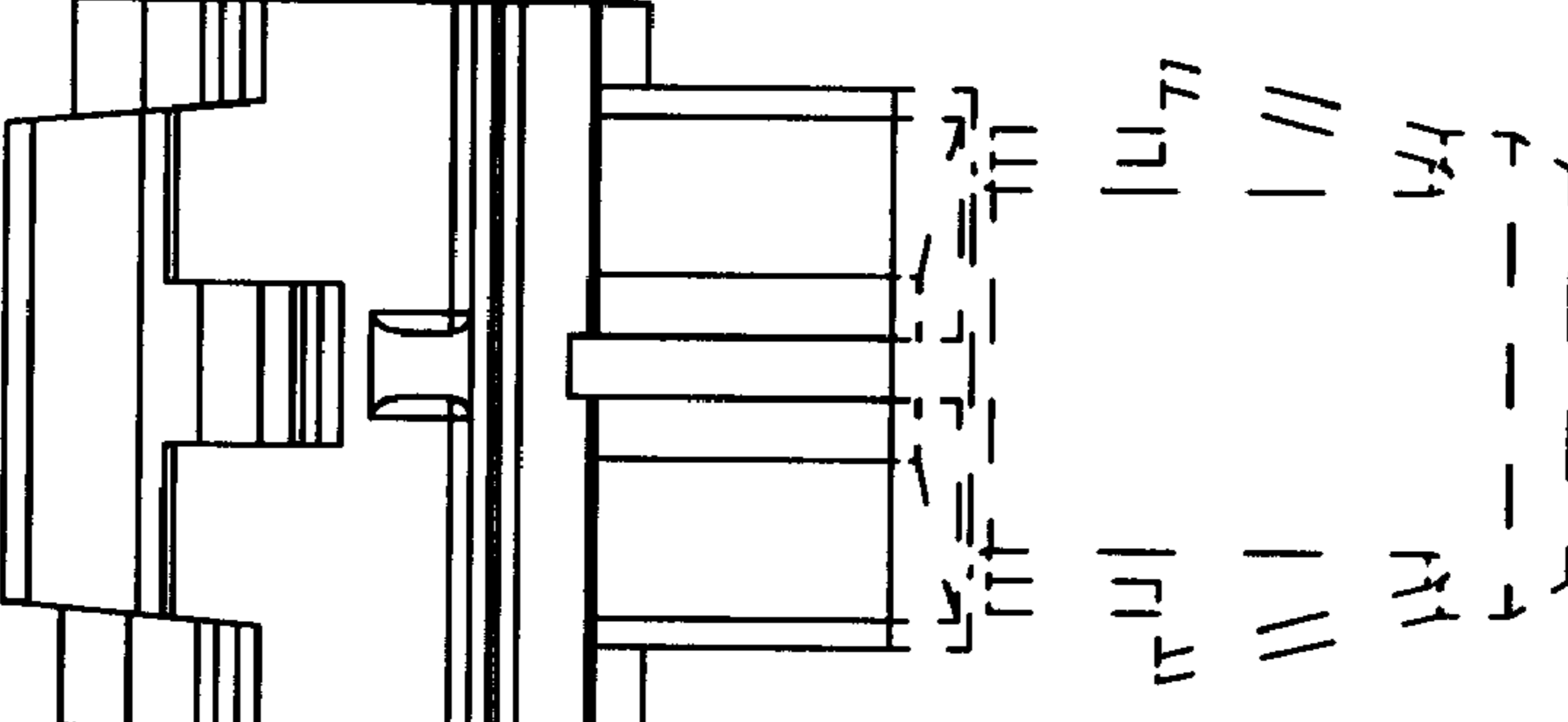


Fig. 5

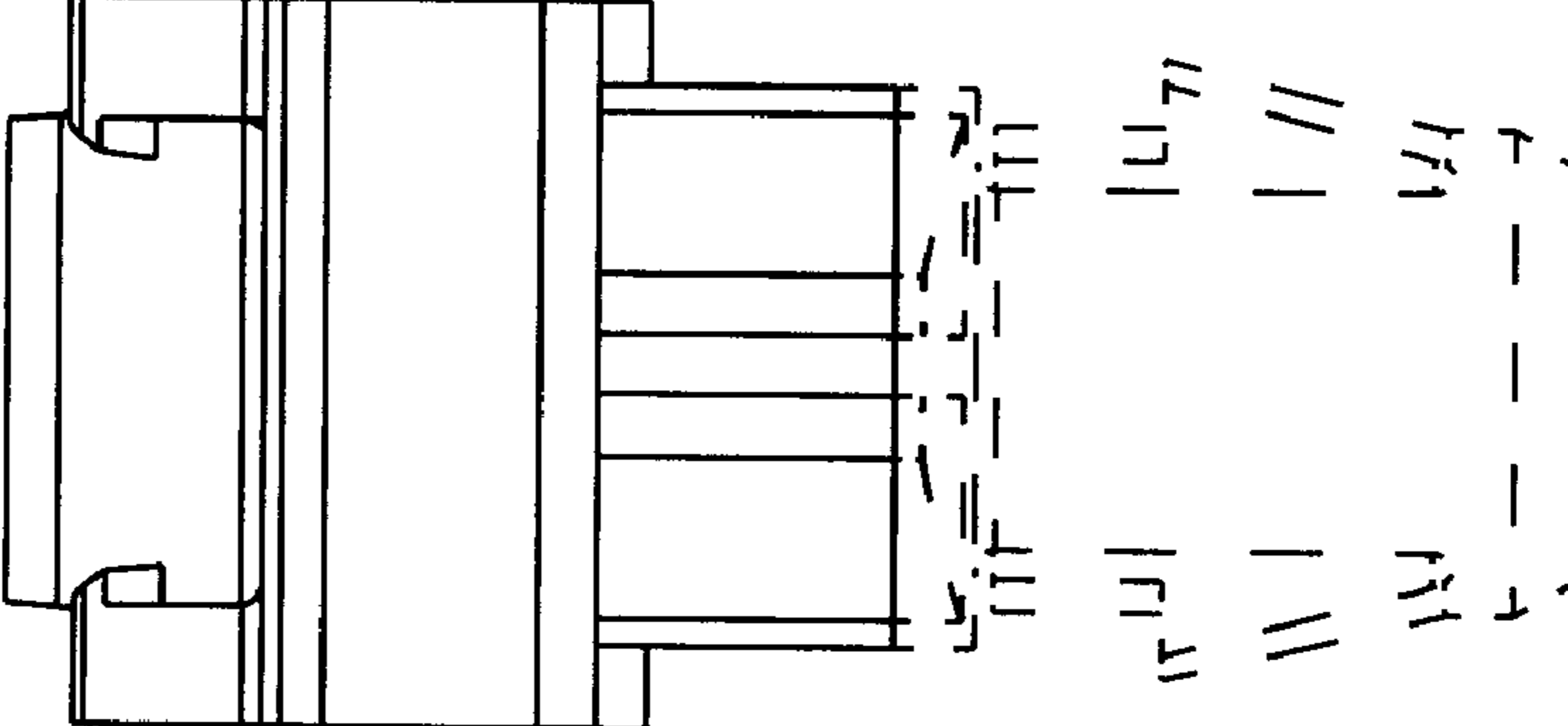


Fig. 6

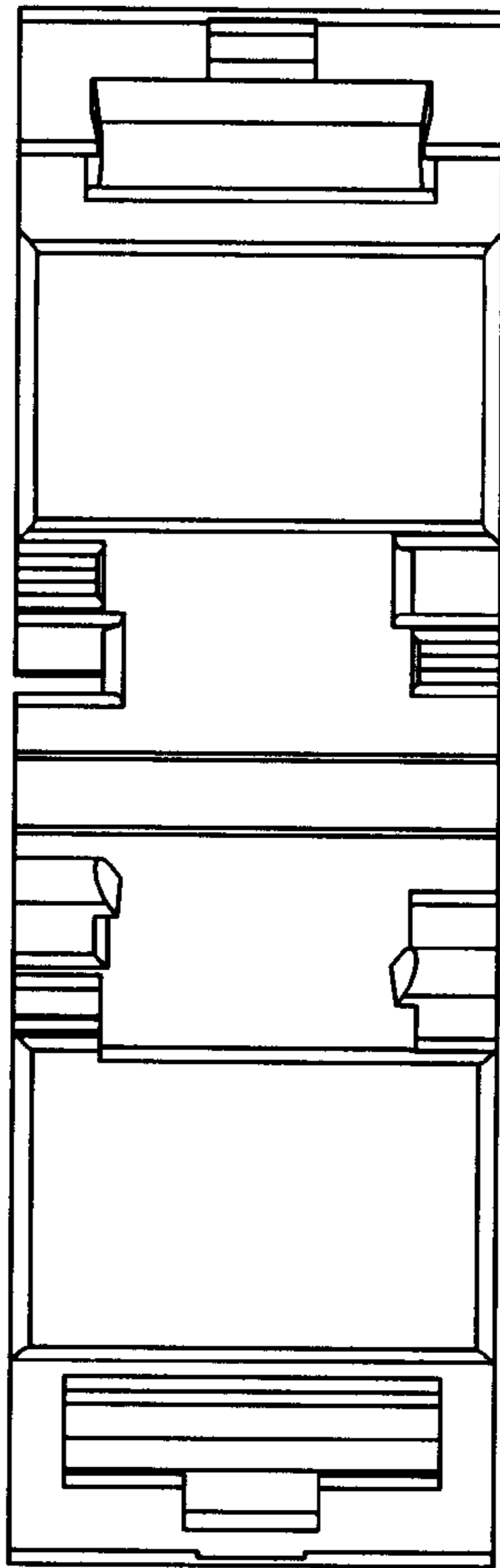


Fig. 7

