



US00D536954S

(12) **United States Design Patent**  
**Sjöberg**

(10) **Patent No.:** **US D536,954 S**

(45) **Date of Patent:** **\*\* Feb. 20, 2007**

(54) **SUPPORT ASSEMBLY FOR AN INFORMATION DISPLAY**

(75) Inventor: **Mårten Sjöberg**, Stockholm (SE)

(73) Assignee: **HL Display AB.**, Skarpnack (SE)

(\*\*) Term: **14 Years**

(21) Appl. No.: **29/195,508**

(22) Filed: **Dec. 15, 2003**

(30) **Foreign Application Priority Data**

Jun. 13, 2003 (SE) ..... 03-0625

(51) **LOC (8) Cl.** ..... **08-05**

(52) **U.S. Cl.** ..... **D8/373**

(58) **Field of Classification Search** ..... D8/396;  
248/490, 316.7, 229.16, 214, 220.31; 349/64,  
349/65, 76; D20/43, 10, 40, 41, 99; D25/122;  
D34/10, 54; 220/404

See application file for complete search history.

(56) **References Cited**

**U.S. PATENT DOCUMENTS**

2,918,244	A	*	12/1959	Laney	.....	248/214
2,995,795	A	*	8/1961	Samson	.....	248/490
3,797,795	A	*	3/1974	Hemgren	.....	248/316.7
D280,441	S	*	9/1985	Evenson	.....	D25/122
D342,286	S	*	12/1993	Orsos	.....	D20/43
5,678,794	A	*	10/1997	Kump	.....	248/220.31
5,870,156	A	*	2/1999	Heembrock	.....	349/64
5,871,189	A	*	2/1999	Hoftman	.....	248/229.16
6,040,846	A	*	3/2000	Stanton et al.	.....	345/76
D432,404	S	*	10/2000	Garfinkle	.....	D8/396
6,141,067	A	*	10/2000	Ikka	.....	349/65
D478,630	S	*	8/2003	Riggins	.....	D8/396
D485,162	S	*	1/2004	Wadsworth et al.	.....	D8/395

\* cited by examiner

*Primary Examiner*—Holly Baynham

(74) *Attorney, Agent, or Firm*—Sughrue Mion, PLLC

(57) **CLAIM**

The ornamental design for a support assembly for an information display, as shown and described.

**DESCRIPTION**

FIG. 1 is a perspective view of the top, front and left side of a support assembly for an information display showing my new design;

FIG. 2 is an exploded perspective view of the support assembly shown in FIG. 1;

FIG. 3 is a perspective view of the top, front and left side of a first component of the information display;

FIG. 4 is a perspective view of the top, rear and right side of the first component;

FIG. 5 is the right side elevational view of the first component thereof;

FIG. 6 is a perspective view of the top, front and left side of a second component of the information display;

FIG. 7 is a perspective view of the top, rear and right side thereof; and,

FIG. 8 is a left side elevational view of the second component thereof.

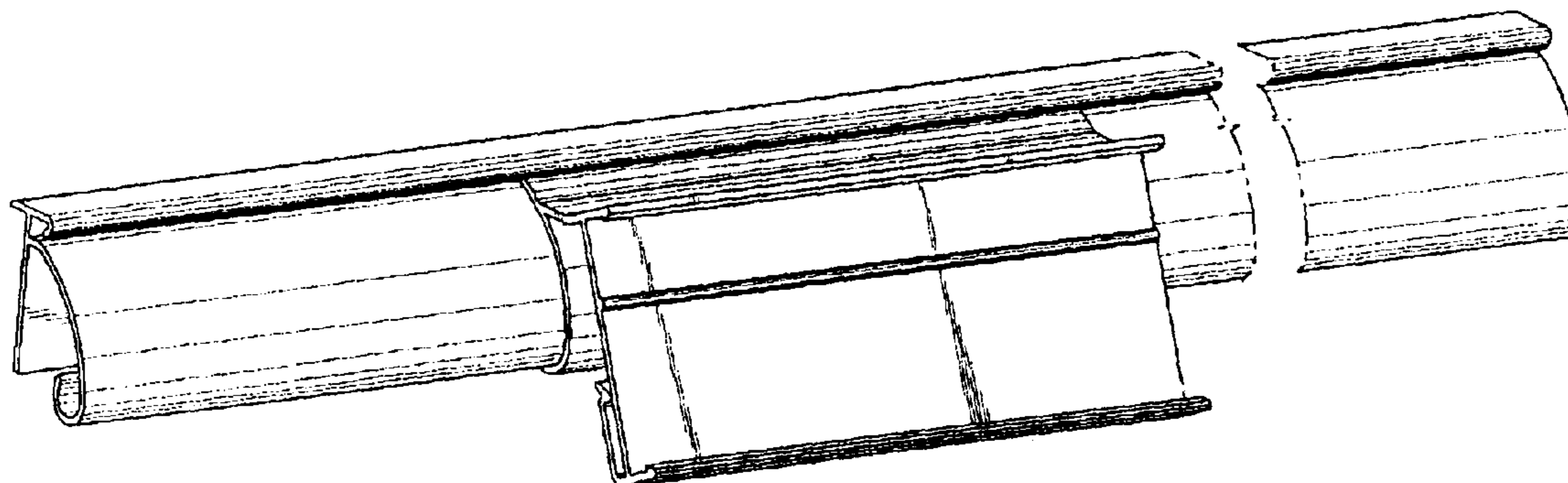
The elements shown in phantom lines are for illustrative purposes only and form no part of the claimed design.

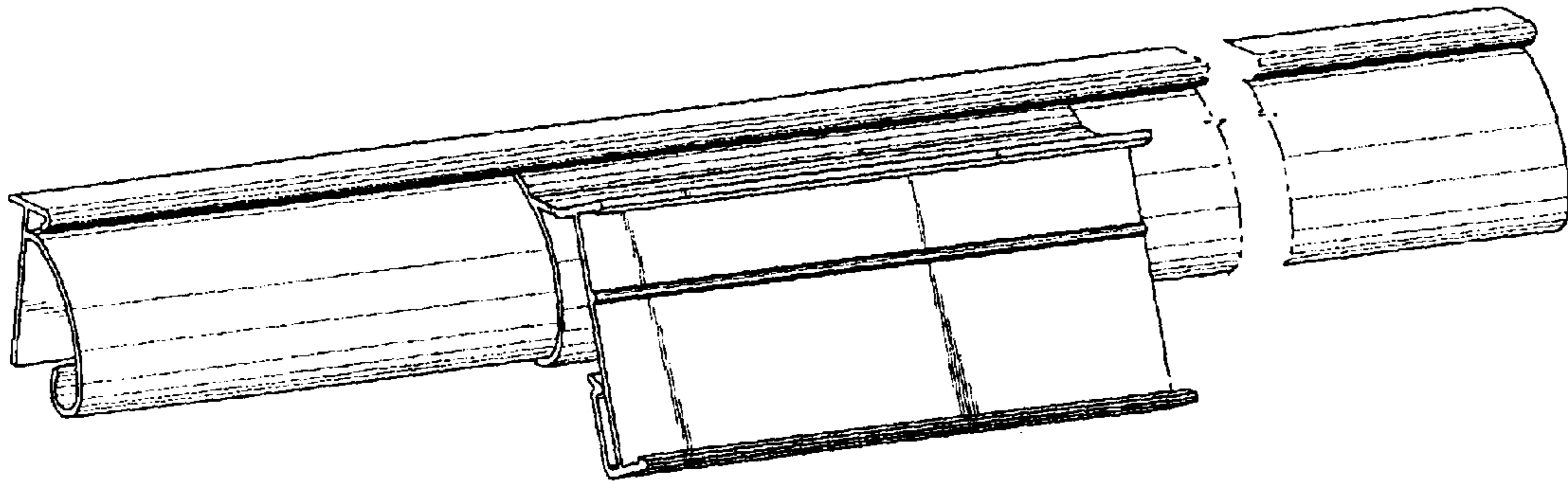
The elements of the claimed design are shown separately for clarity of illustration.

The broken lines which define the bounds of the claimed design form no part thereof.

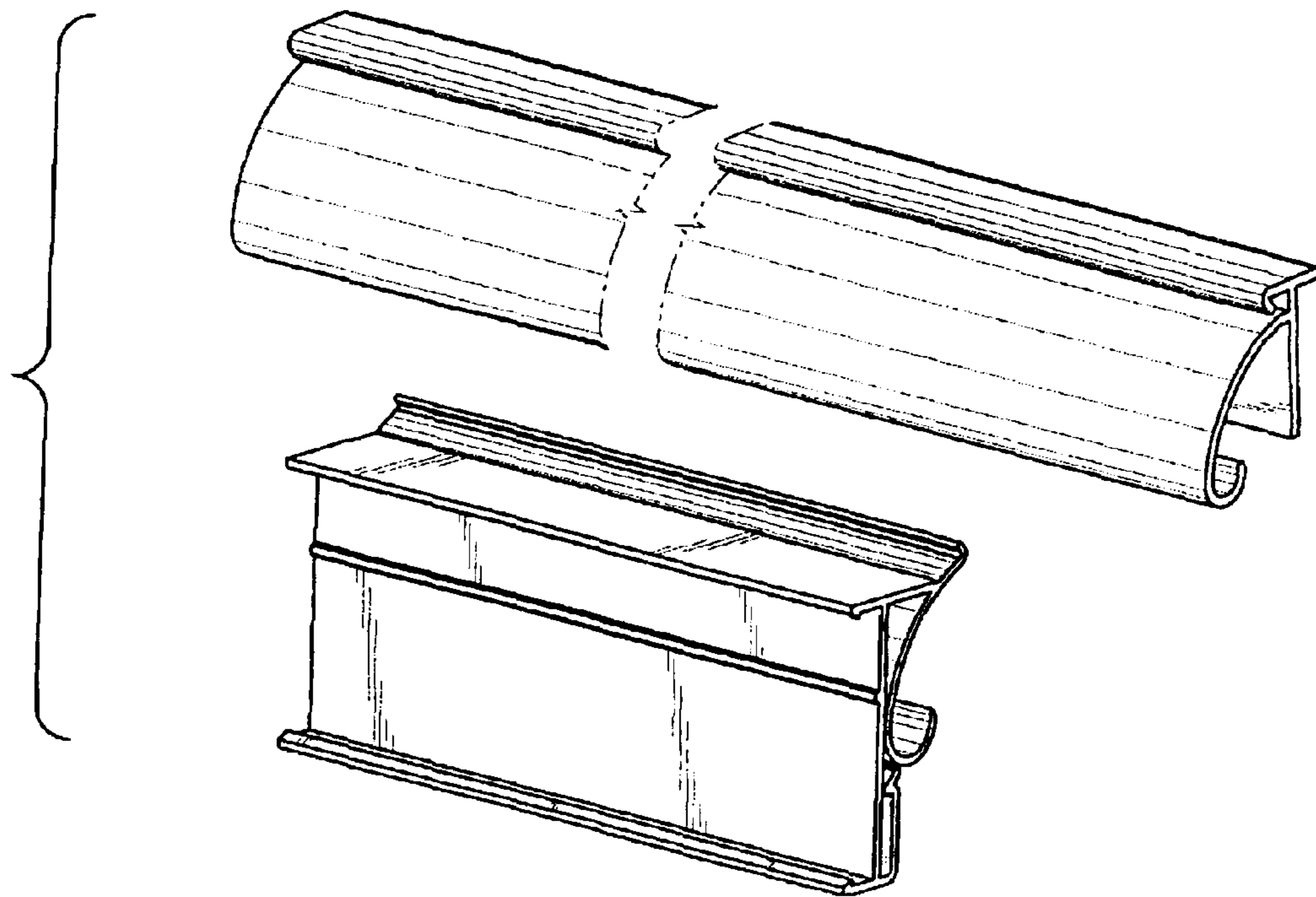
The brackets are shown broken away to indicate indeterminate length.

**1 Claim, 4 Drawing Sheets**

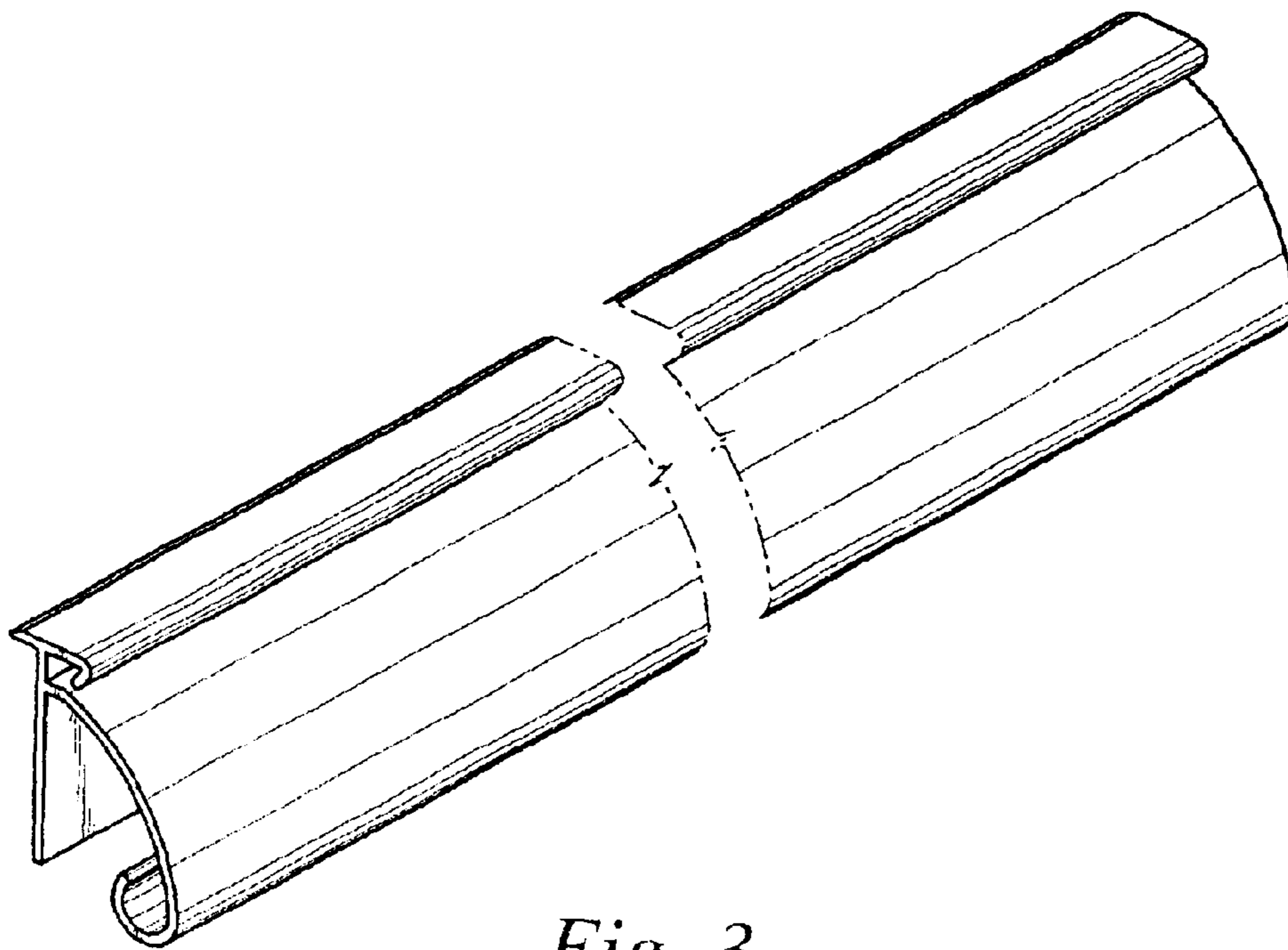




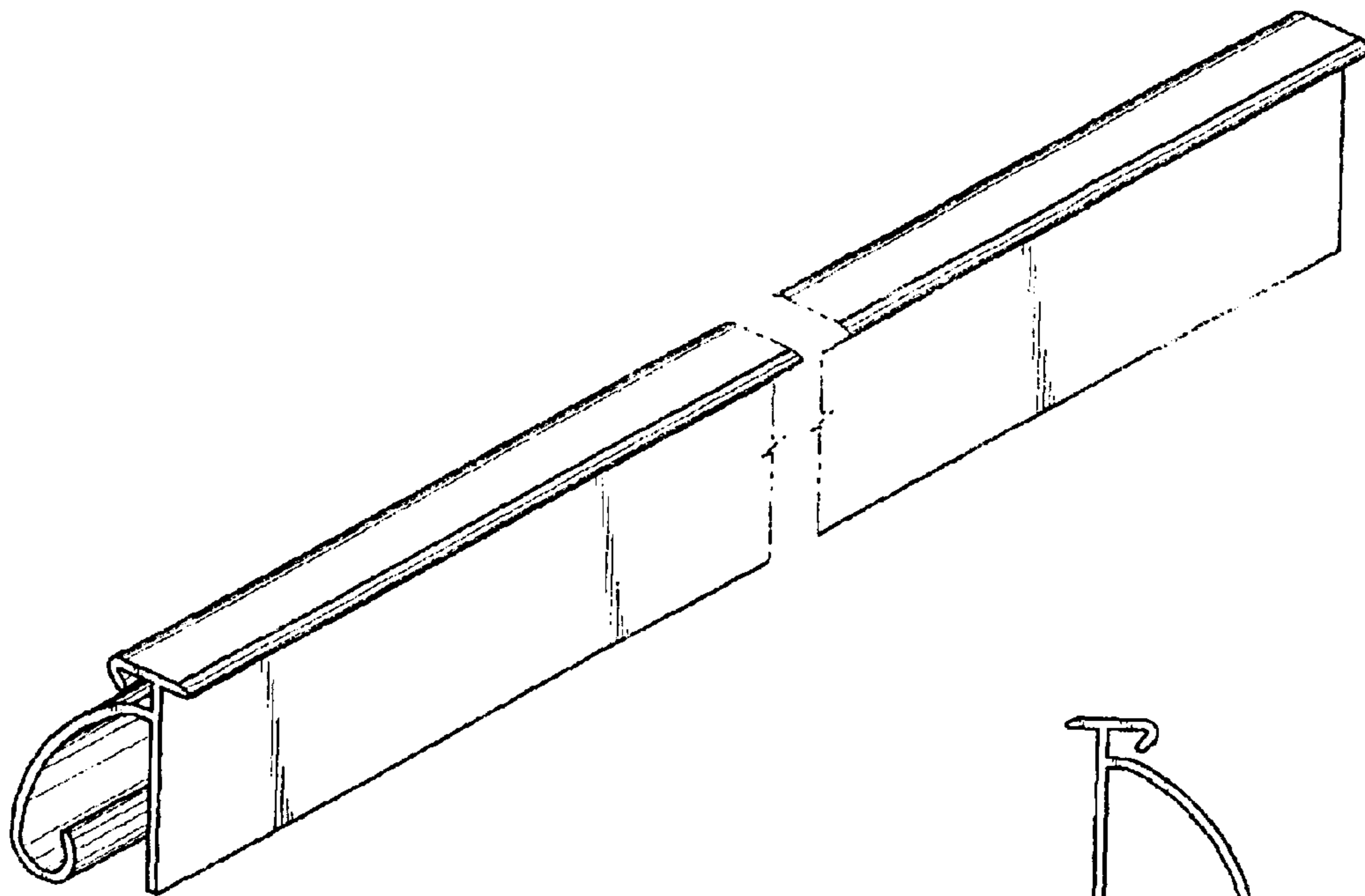
*Fig. 1*



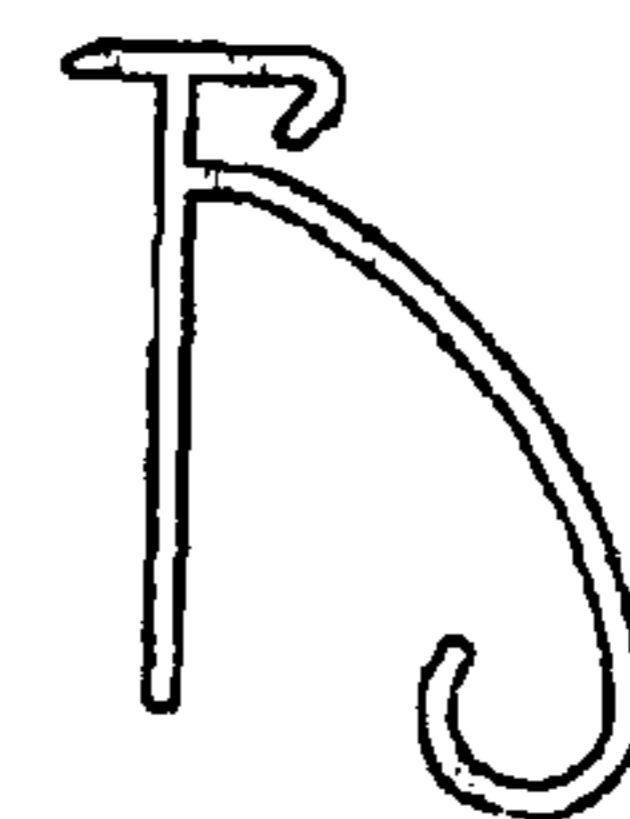
*Fig. 2*



*Fig. 3*

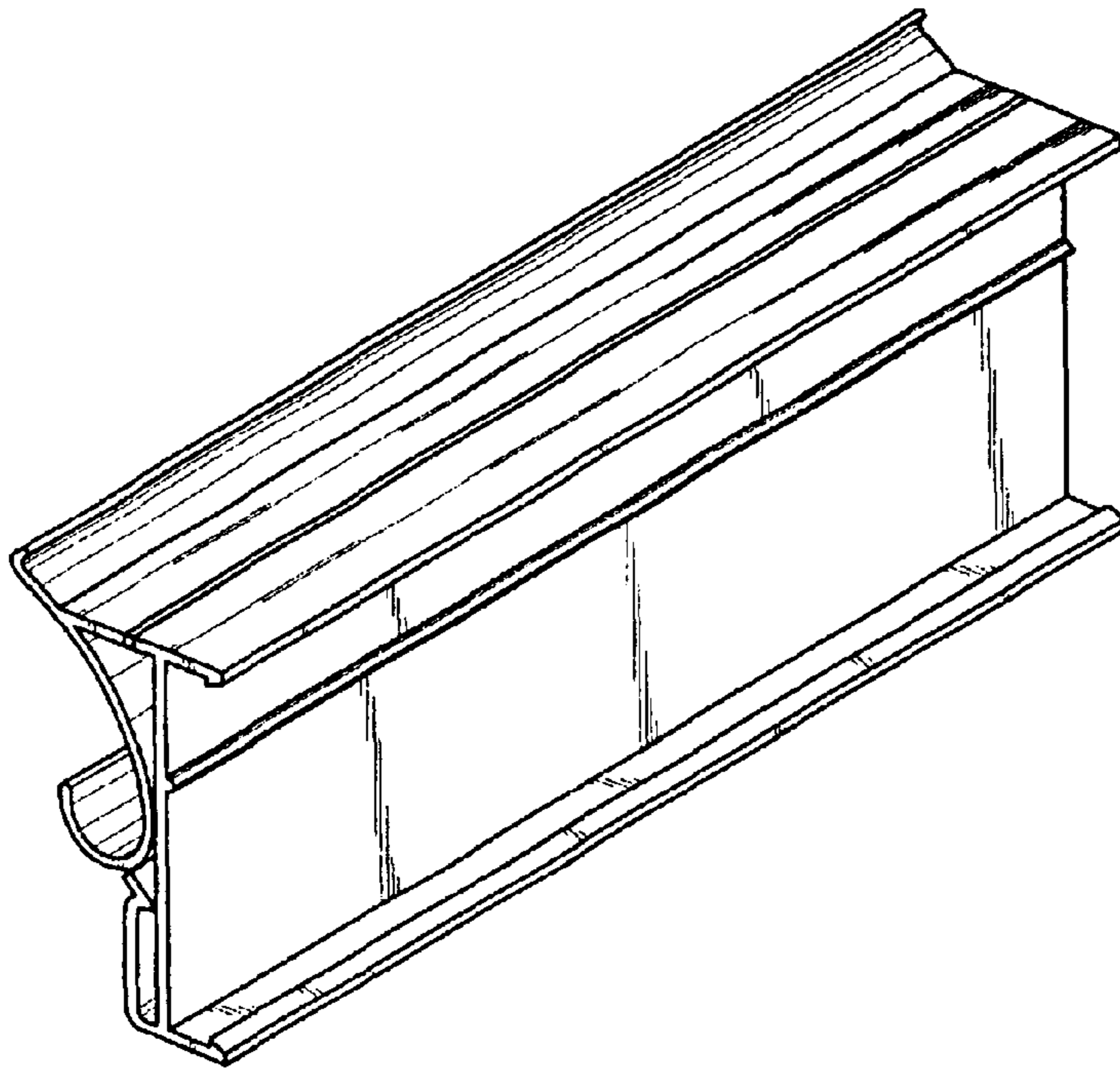


*Fig. 4*

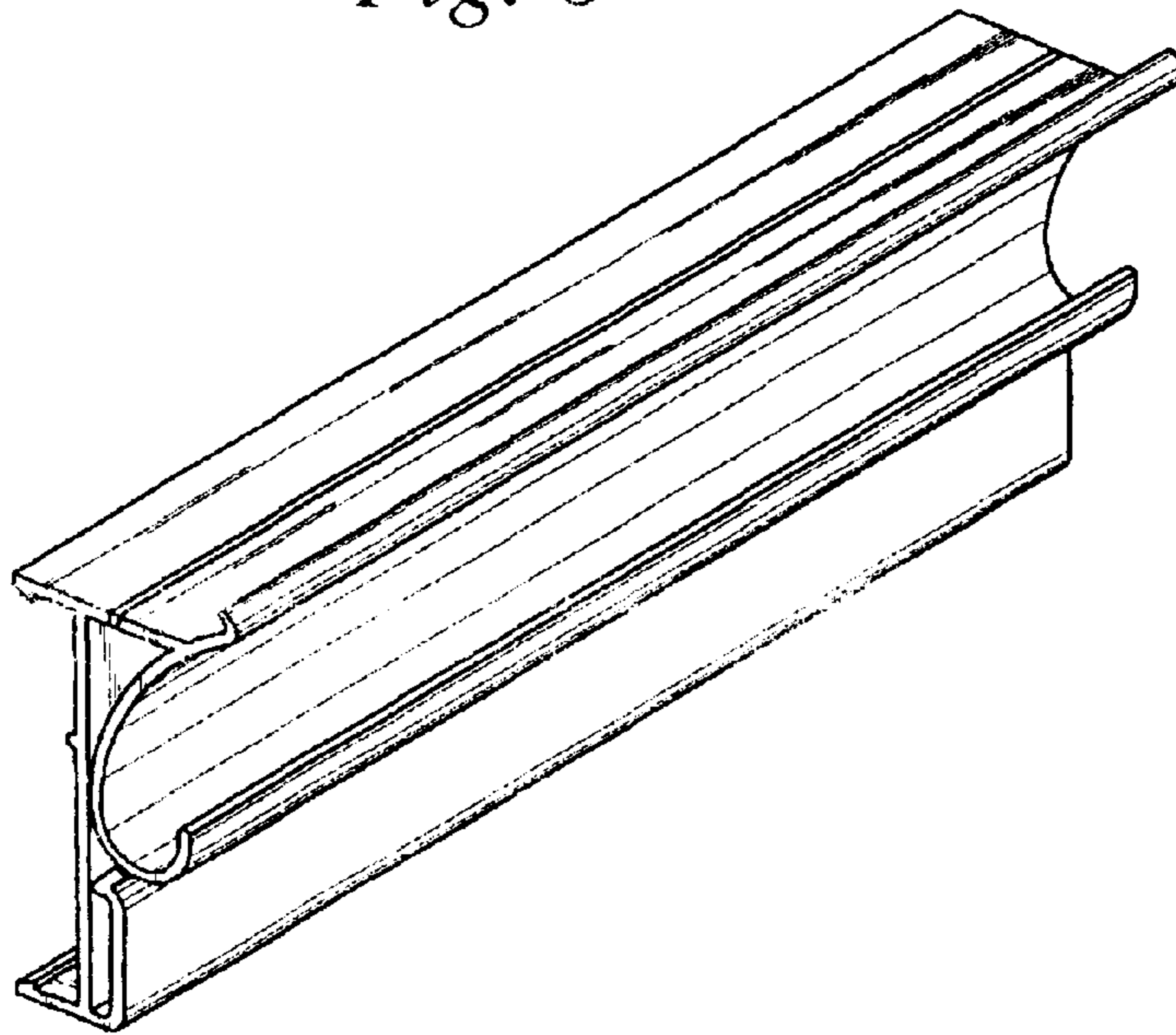


*Fig. 5*

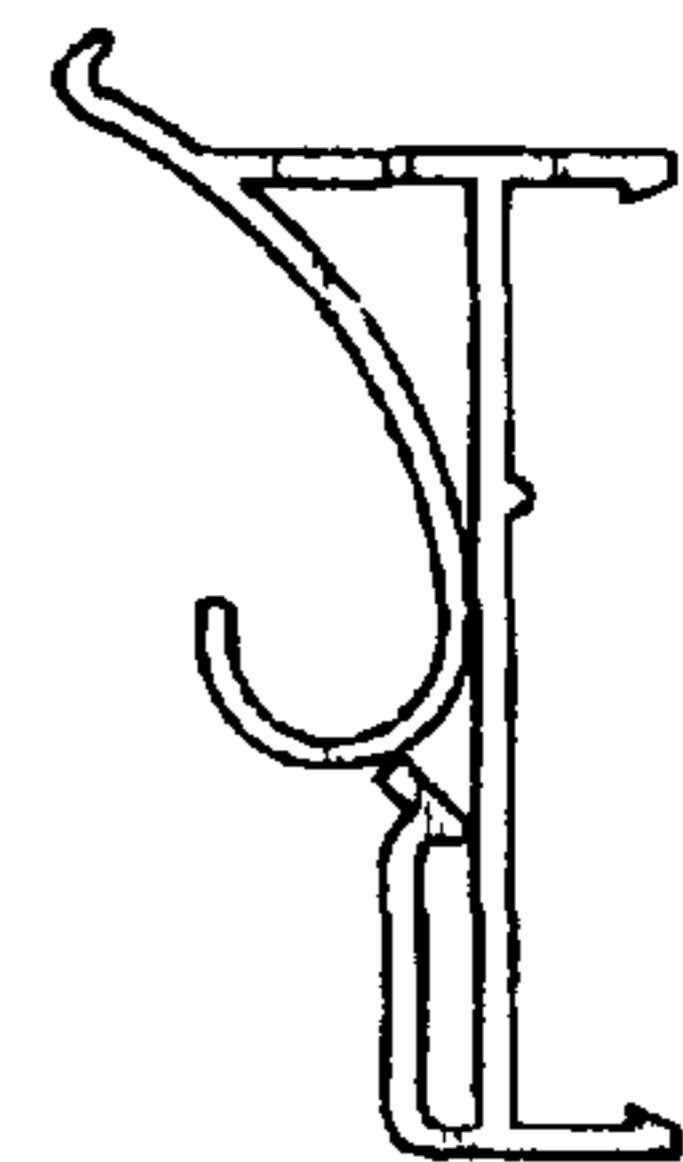




*Fig. 6*



*Fig. 7*



*Fig. 8*