



US00D536952S

(12) **United States Design Patent**
Vejmarker

(10) **Patent No.:** **US D536,952 S**

(45) **Date of Patent:** **** Feb. 20, 2007**

(54) **NOGGIN HEAD BRACE**

(75) Inventor: **Bo Vejmarker**, Trelleborg (SE)

(73) Assignee: **BPB plc**, Slough (GB)

(**) Term: **14 Years**

(21) Appl. No.: **29/255,195**

(22) Filed: **Mar. 6, 2006**

Related U.S. Application Data

(62) Division of application No. 29/201,151, filed on Mar. 11, 2004, now Pat. No. Des. 520,344.

(51) **LOC (8) Cl.** **08-05**

(52) **U.S. Cl.** **D8/354**

(58) **Field of Classification Search** D8/349,
D8/354, 380; 248/200, 300, 27.1
See application file for complete search history.

(56) **References Cited**

U.S. PATENT DOCUMENTS

1,860,760	A	*	5/1932	Wittemann	248/300
2,235,761	A		3/1941	Goldsmith		
2,369,687	A		2/1945	Ralston		
D272,414	S		1/1984	Barnes		
D330,503	S	*	10/1992	Rana	D8/349
D432,901	S	*	10/2000	McDonald	D8/354
D442,469	S	*	5/2001	Roozen et al.	D8/354
6,497,395	B1	*	12/2002	Croker	248/300
D468,191	S		1/2003	Burke		
D472,793	S		4/2003	Callahan et al.		
D483,651	S		12/2003	Sander		
6,669,156	B2	*	12/2003	East et al.	248/300

D487,391	S		3/2004	Balaban		
D487,867	S	*	3/2004	Balaban	D8/354
D489,598	S	*	5/2004	Balaban	D8/354
D492,189	S		6/2004	Weremchuk et al.		
D492,888	S		7/2004	Wilson		
D500,666	S		1/2005	Murphy et al.		
D500,667	S		1/2005	Murphy et al.		
D503,330	S		3/2005	Murphy et al.		

* cited by examiner

Primary Examiner—Holly H. Baynham

(74) *Attorney, Agent, or Firm*—Vangelis, Economou IpHorgan, Ltd.

(57) **CLAIM**

The ornamental design of the noggin head brace, as shown and described.

DESCRIPTION

The inventive noggin head brace provides an ornamental support for timber or steel girders when they are placed to extend perpendicularly from a side wall or stud.

FIG. 1 is a perspective view of the noggin head brace showing my new design;

FIG. 2 is a perspective view thereof, shown from an alternate angle;

FIG. 3 is an enlarged front elevational view thereof;

FIG. 4 is an enlarged back elevational view thereof;

FIG. 5 is an enlarged left side view thereof;

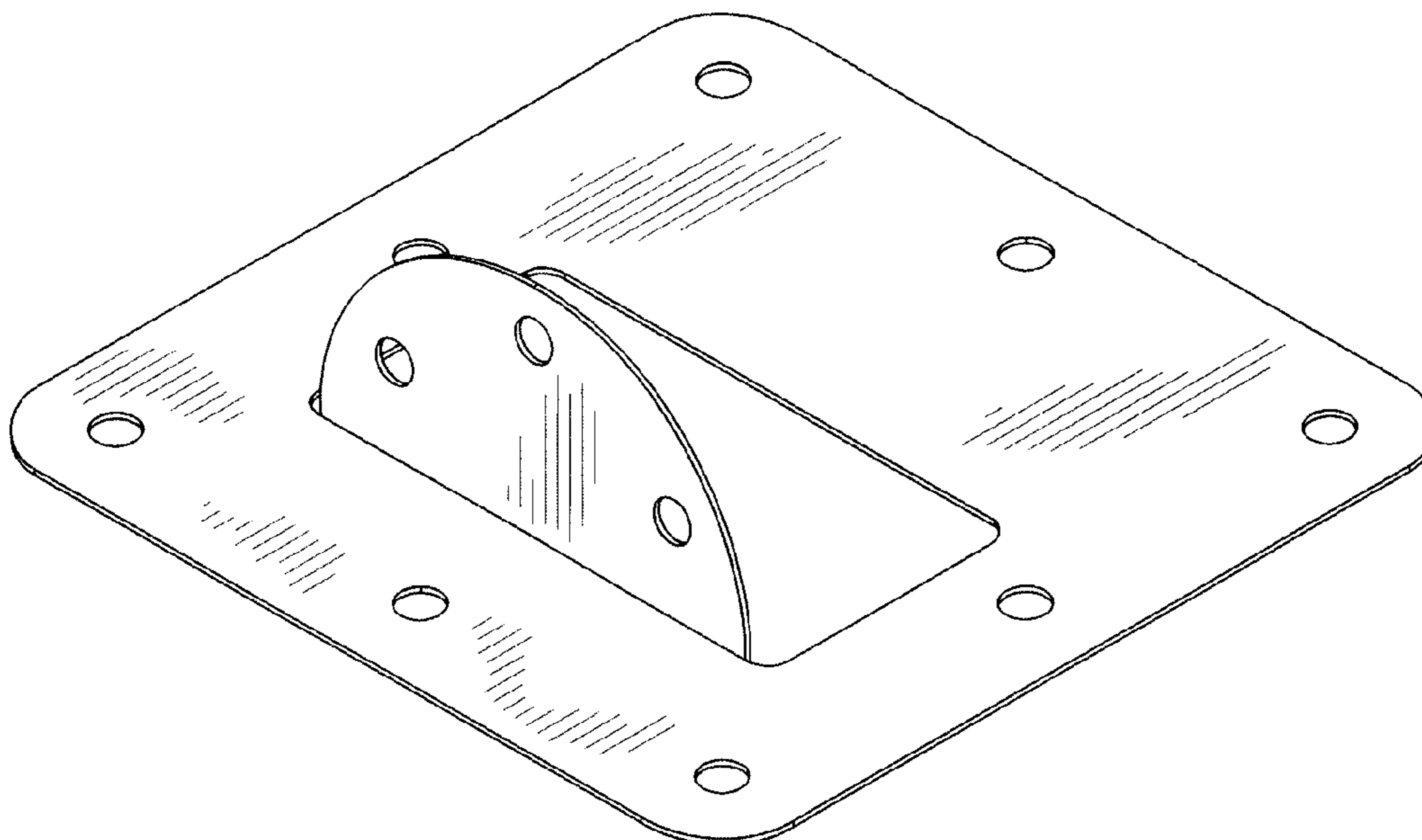
FIG. 6 is an enlarged right side view thereof;

FIG. 7 is an enlarged top view thereof; and,

FIG. 8 is an enlarged bottom view thereof.

FIGS. 3–8 have been shown on an enlarged scale in respect to FIGS. 1 and 2.

1 Claim, 4 Drawing Sheets



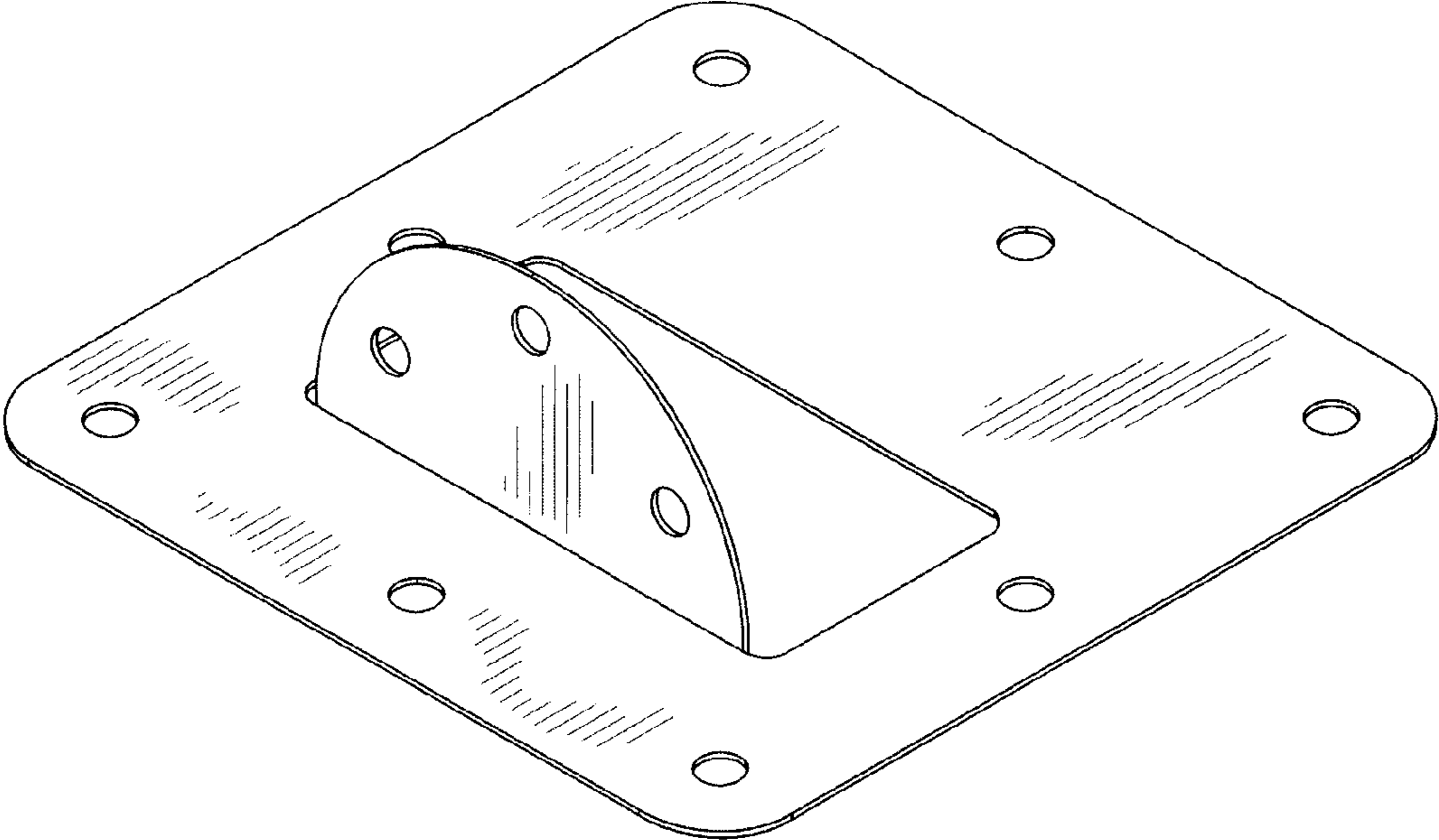


FIG. 1

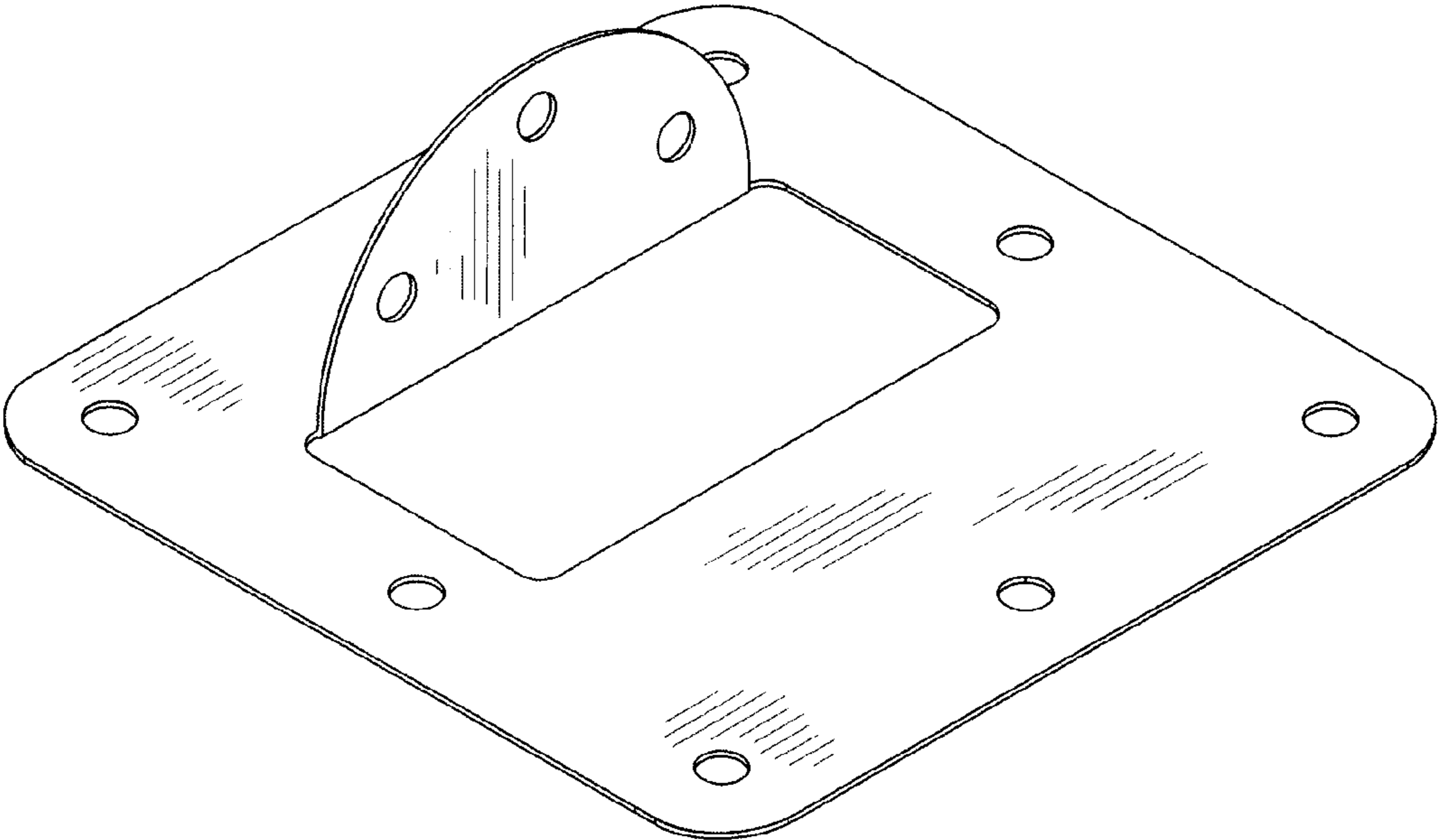


FIG. 2

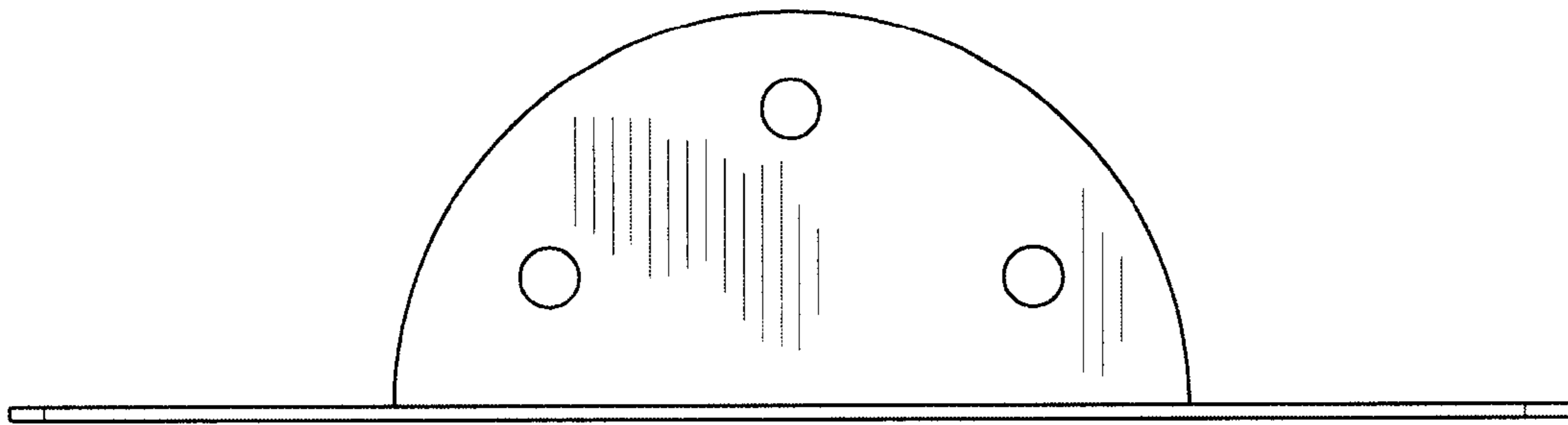


FIG. 3

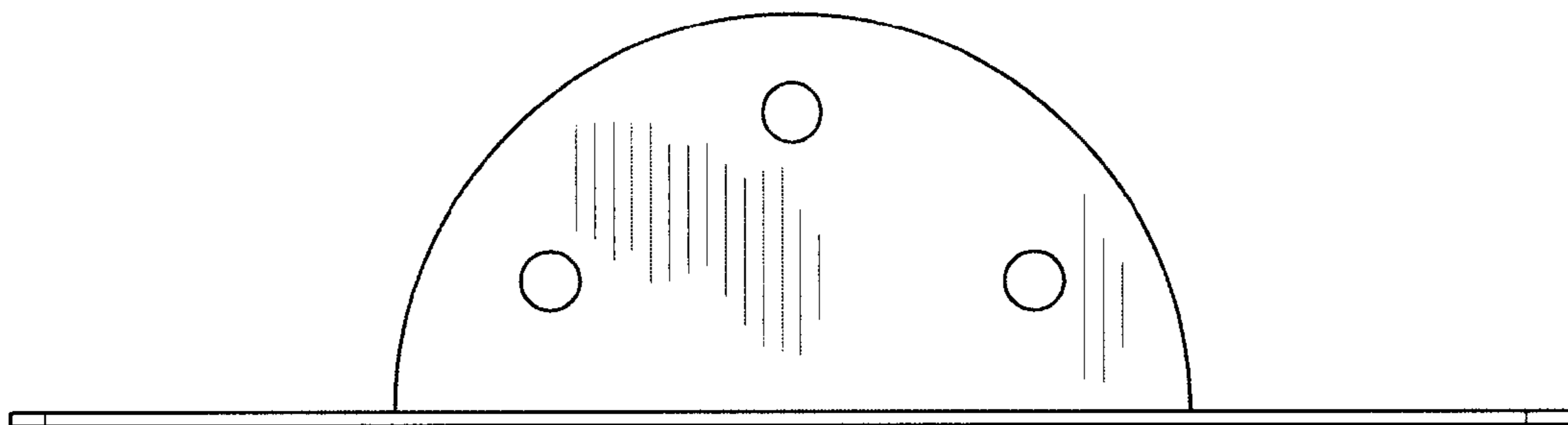


FIG. 4

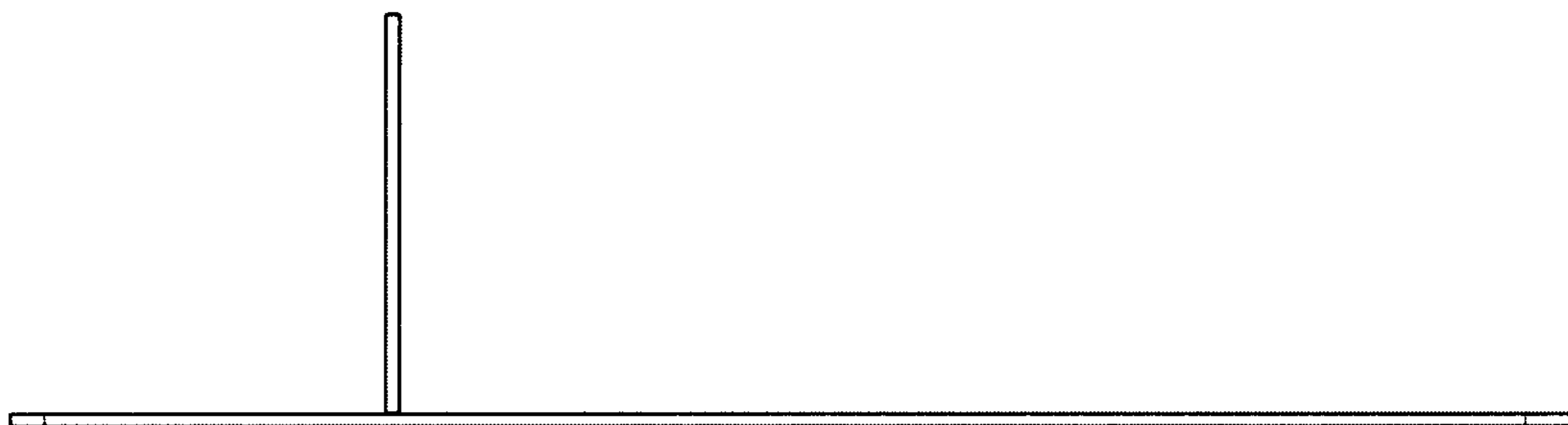


FIG. 5

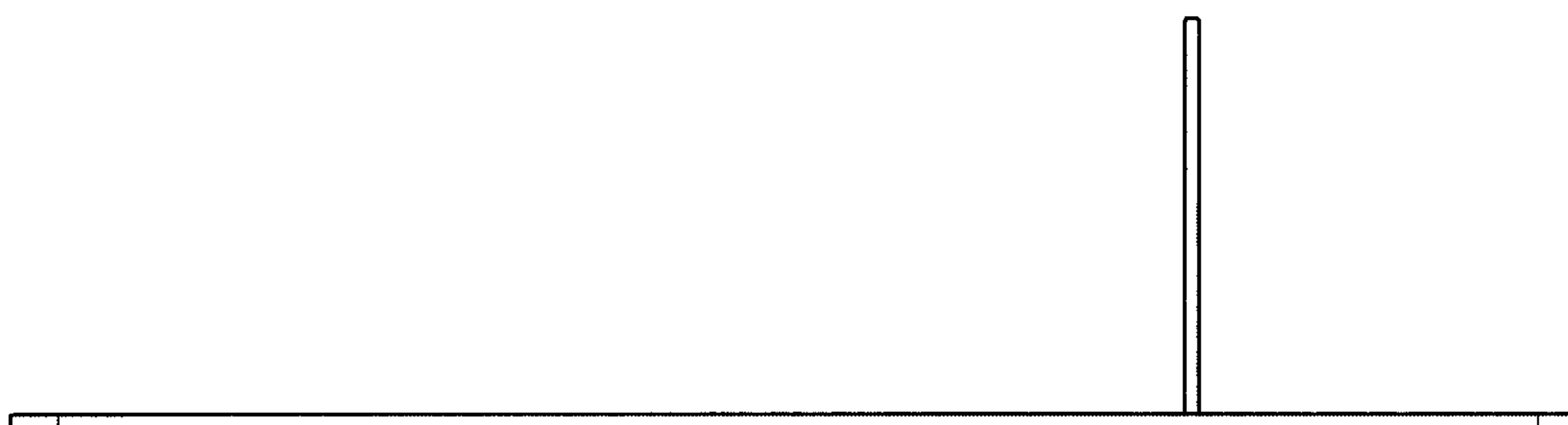


FIG. 6

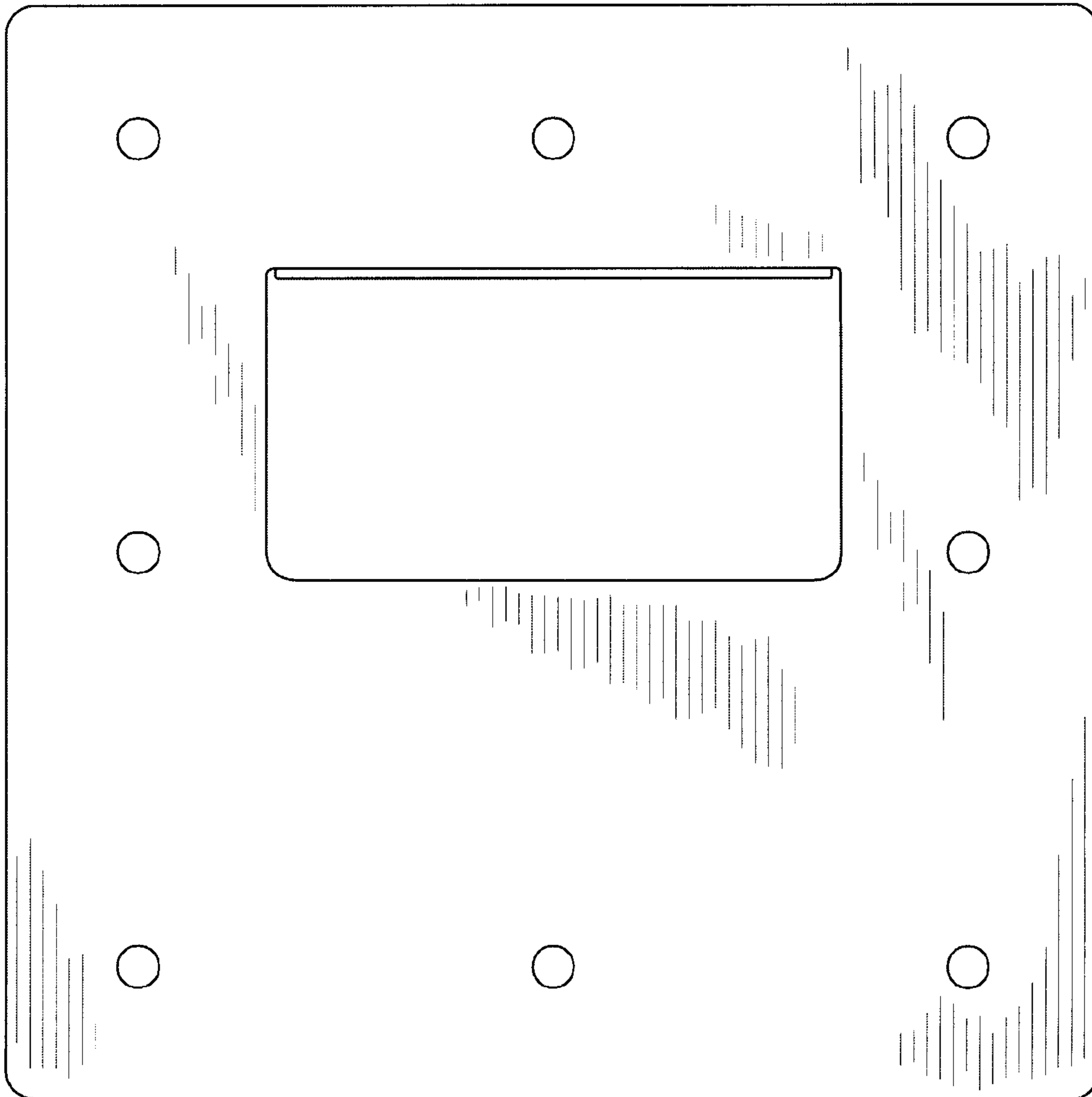


FIG. 7

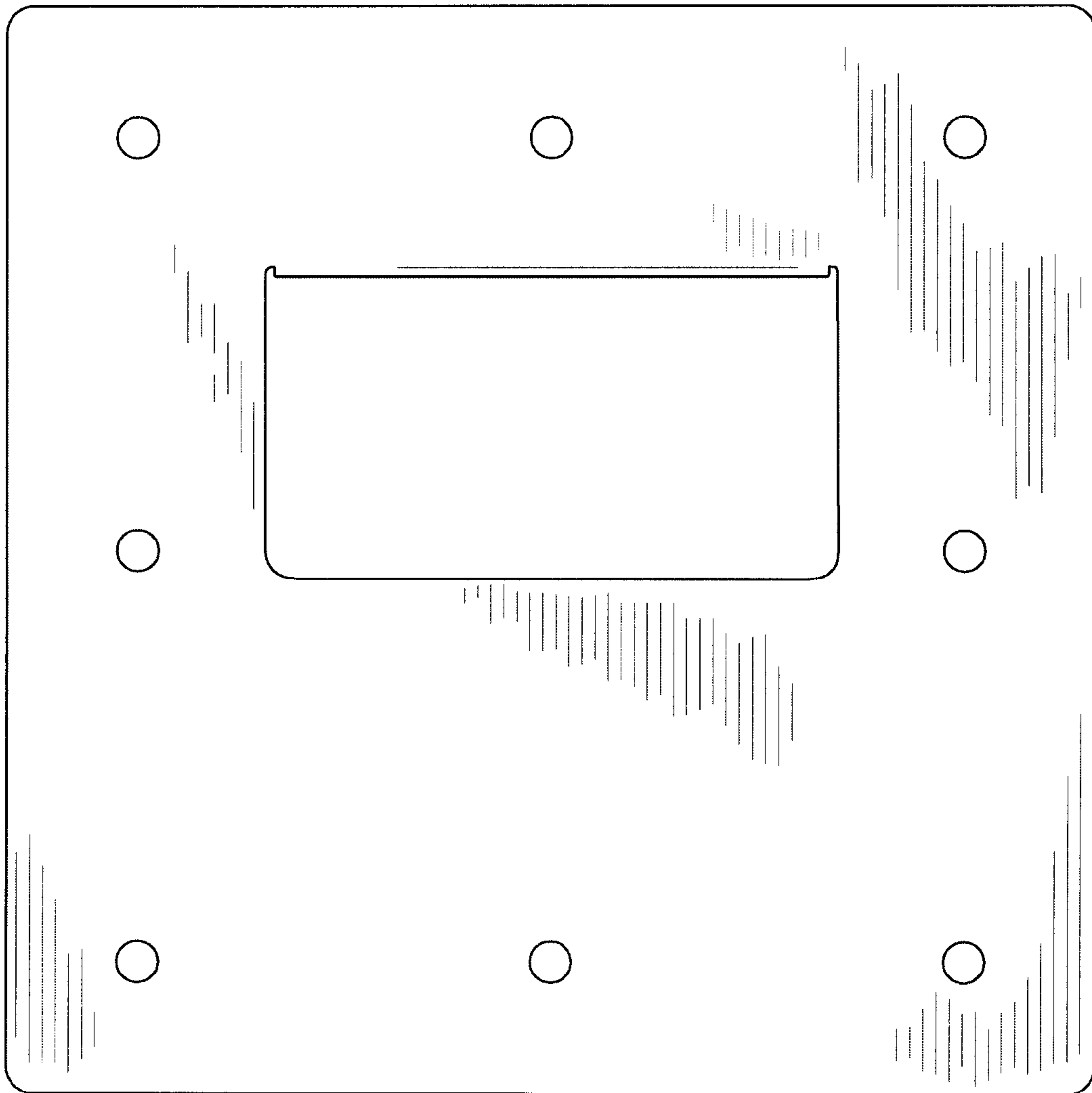


FIG. 8