



US00D536950S

(12) **United States Design Patent**
Liang et al.

(10) **Patent No.:** **US D536,950 S**

(45) **Date of Patent:** **** Feb. 20, 2007**

(54) **SASH LOCK**

(75) Inventors: **Luke Liang**, So. Plainfield, NJ (US);
Toni Leung, Guangzhou (CN)

(73) Assignee: **Vision Industries Group Inc.**, South Plainfield, NJ (US)

(**) Term: **14 Years**

(21) Appl. No.: **29/237,478**

(22) Filed: **Aug. 31, 2005**

(51) **LOC (8) Cl.** **08-07**

(52) **U.S. Cl.** **D8/331**

(58) **Field of Classification Search** D8/300.301,
D8/330, 331, 308, 346, 336-339, 309; 70/89,
70/90; 292/240-242, 341.12, 341.13, 101,
292/13, 82-85, DIG. 20, DIG. 40, DIG. 55,
292/DIG. 73

See application file for complete search history.

(56) **References Cited**

U.S. PATENT DOCUMENTS

D293,548 S *	1/1988	Bates et al.	D8/337
D295,948 S *	5/1988	Mandell	D8/337
D380,957 S *	7/1997	Evans et al.	D8/337
D382,191 S *	8/1997	Plummer	D8/337
D418,737 S *	1/2000	Libby et al.	D8/337
6,478,347 B1 *	11/2002	Timothy	292/241
6,523,868 B1 *	2/2003	Timothy	292/241
6,634,683 B1 *	10/2003	Brannan	292/241

6,871,886 B2 *	3/2005	Coleman et al.	292/241
6,983,963 B2 *	1/2006	Eslick et al.	292/242
7,000,957 B2 *	2/2006	Lawrence	292/241
7,017,957 B2 *	3/2006	Murphy et al.	292/241

* cited by examiner

Primary Examiner—Prabhakar Deshmukh

(74) *Attorney, Agent, or Firm*—Thomas A. O'Rourke;
Bodner & O'Rourke

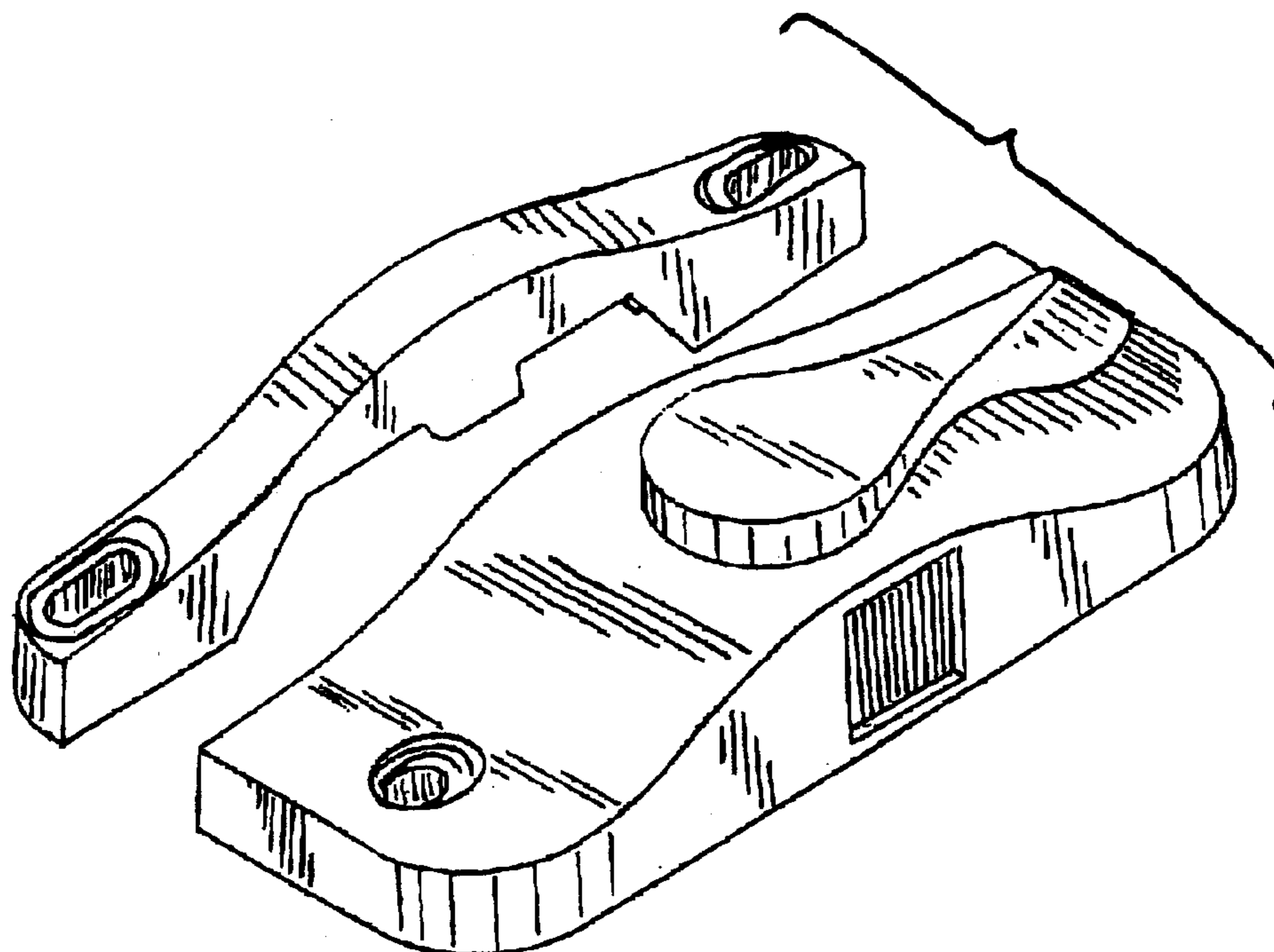
(57) **CLAIM**

The ornamental design for sash lock, as shown and described.

DESCRIPTION

FIG. 1 is an exploded perspective view of a sash lock showing our new design;
 FIG. 2 is a front elevational view of a sash lock;
 FIG. 3 is a bottom plan view of FIG. 2;
 FIG. 4 is a rear view of FIG. 2;
 FIG. 5 is a top plan view of FIG. 2;
 FIG. 6 is a left side elevational view of FIG. 2;
 FIG. 7 is a right side elevational view of FIG. 2;
 FIG. 8 is a front elevational view of a keeper used with the sash lock;
 FIG. 9 is a bottom plan view of FIG. 8;
 FIG. 10 is a rear elevational view of FIG. 8;
 FIG. 11 is a top plan view of FIG. 8;
 FIG. 12 is a left side elevational view of FIG. 8; and,
 FIG. 13 is a right side elevational view of FIG. 8.

1 Claim, 3 Drawing Sheets



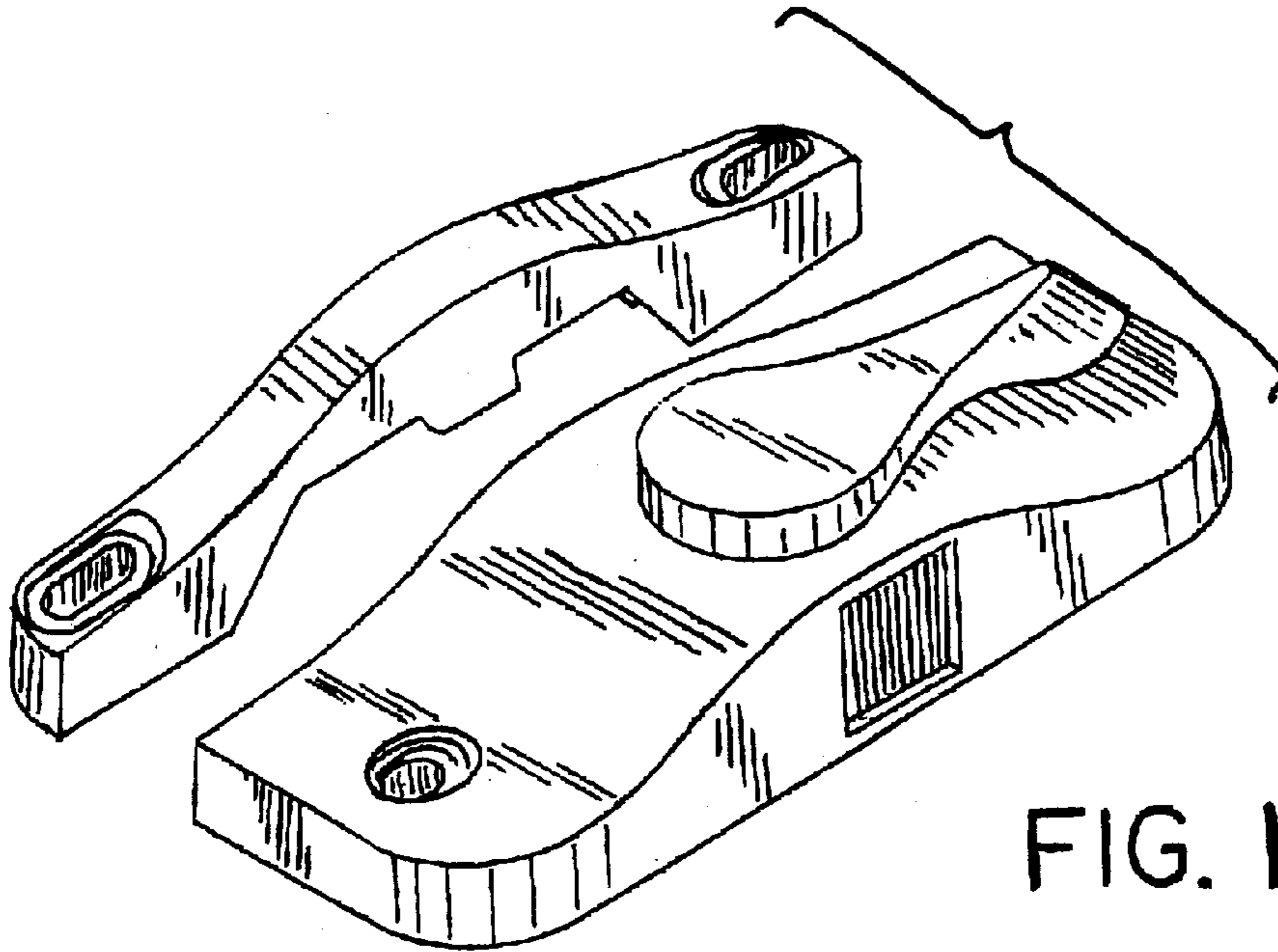


FIG. 1

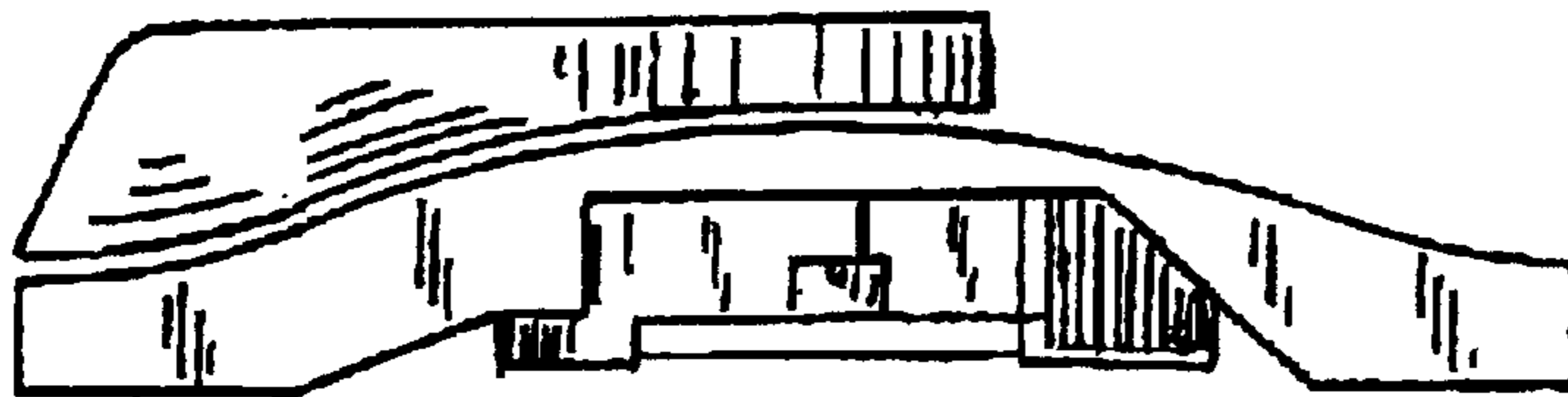


FIG. 2

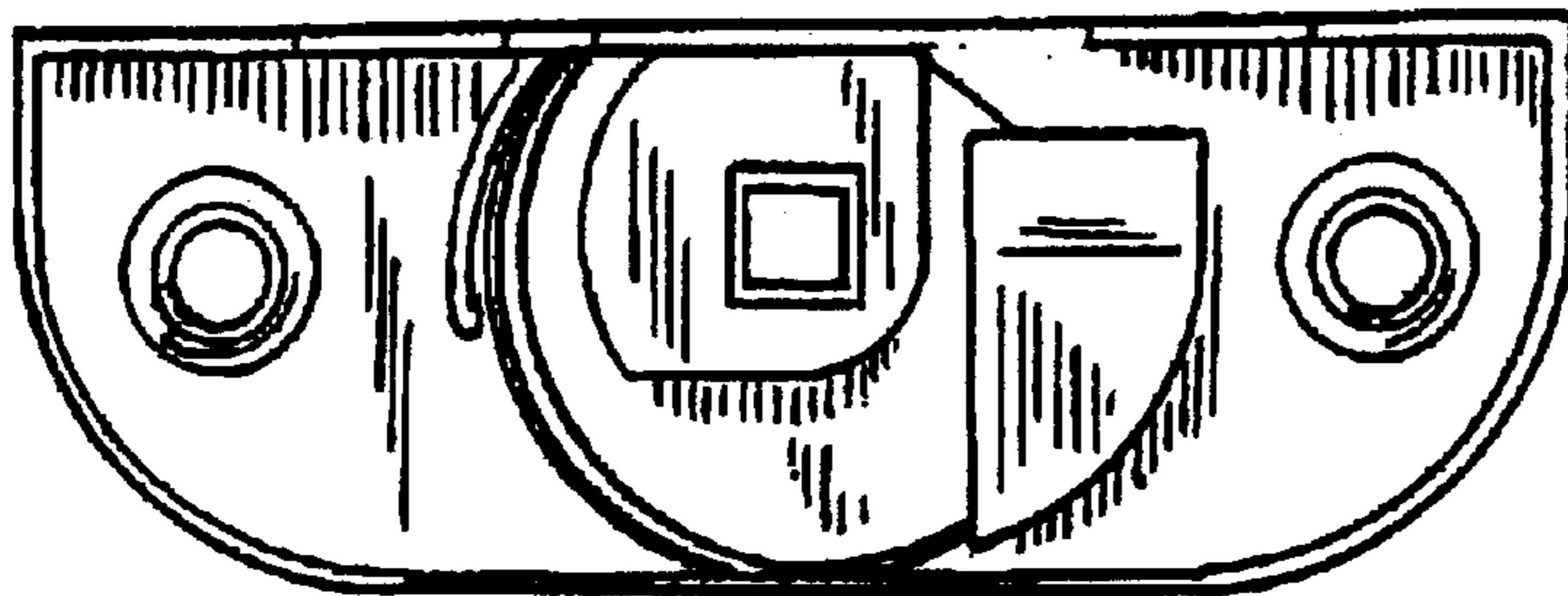


FIG. 3

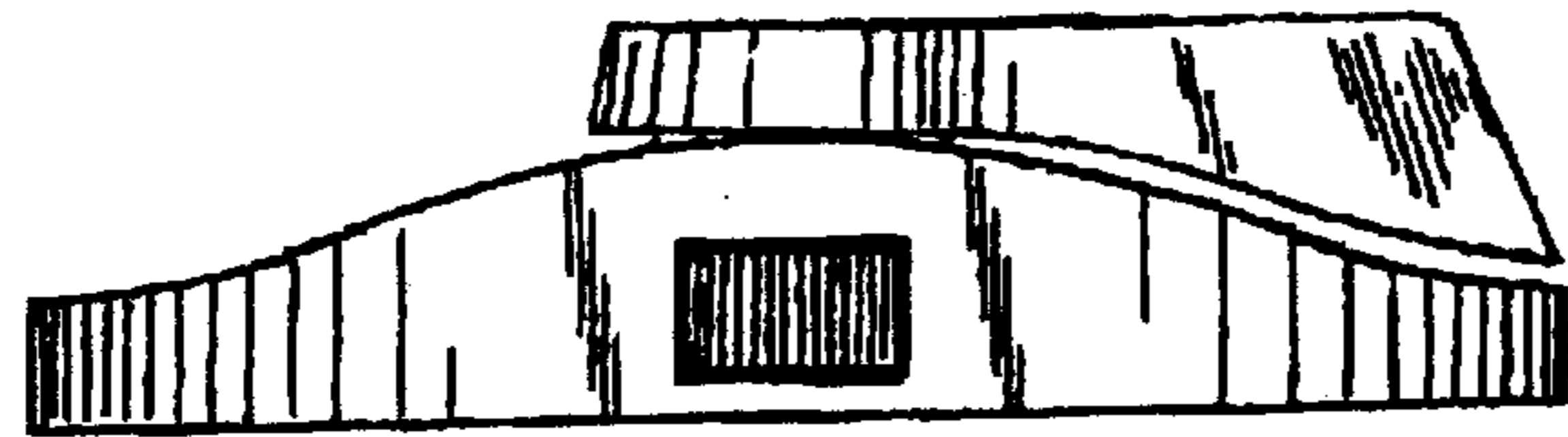


FIG. 4

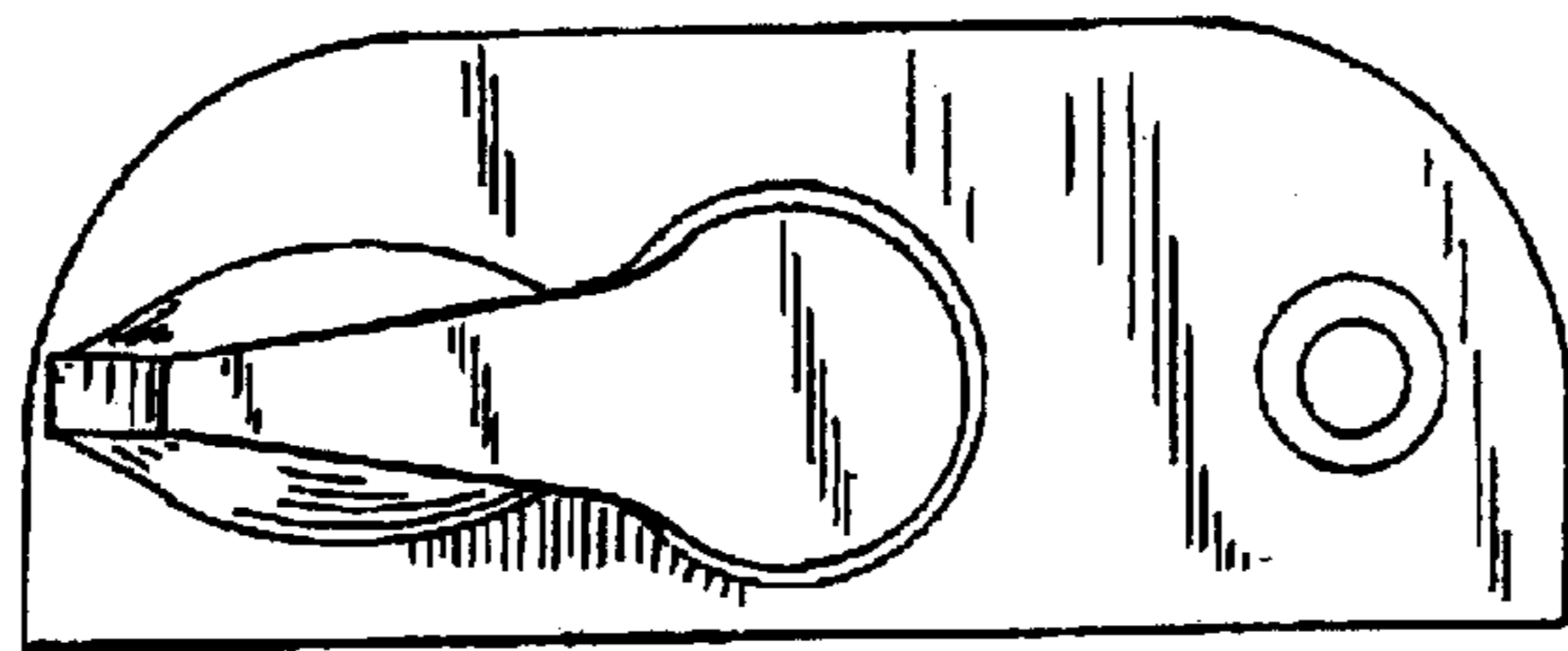


FIG. 5

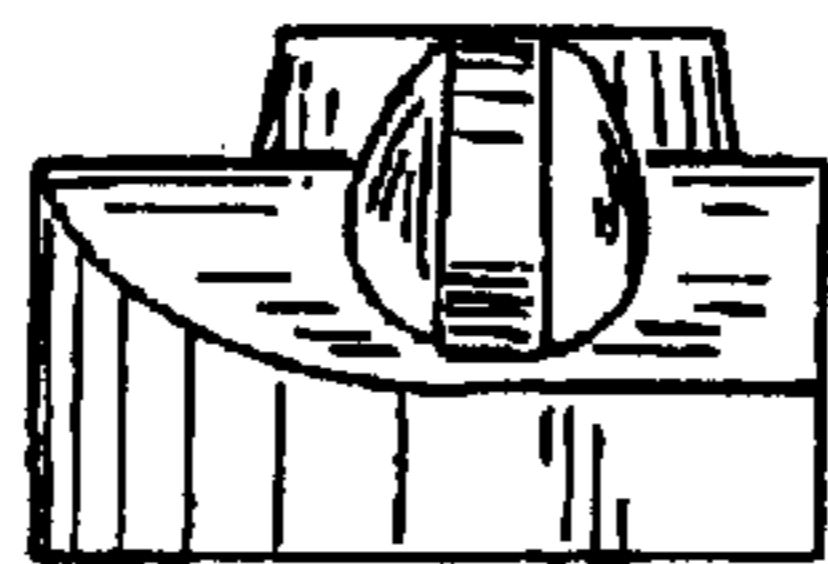


FIG. 6

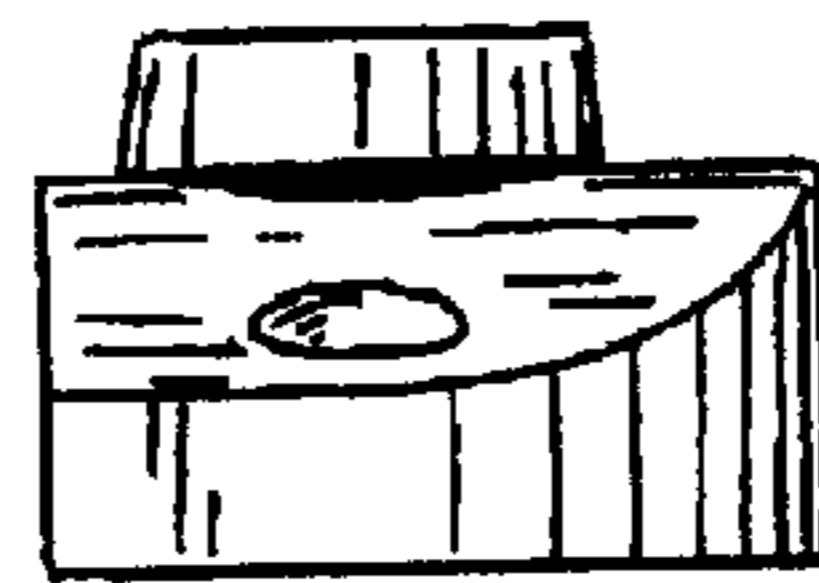


FIG. 7

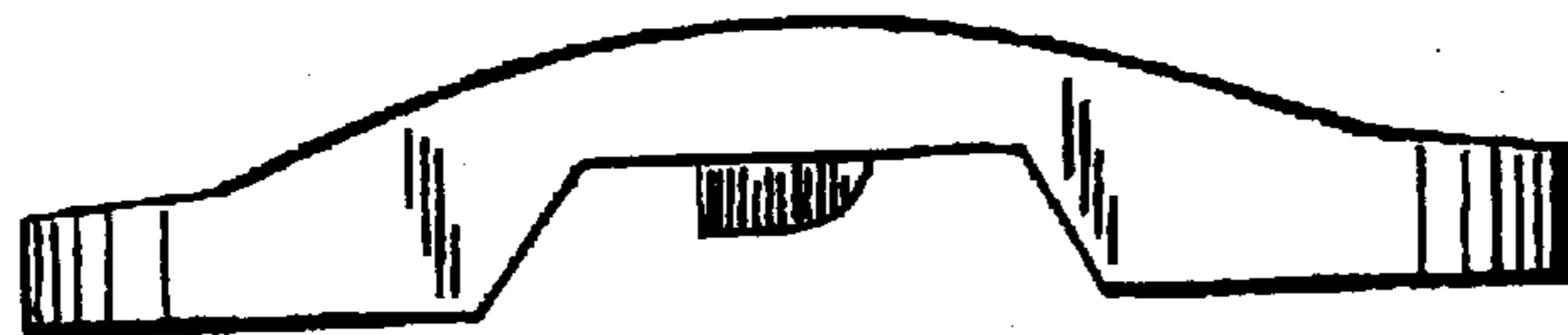


FIG. 8



FIG. 9



FIG. 10



FIG. 11



FIG. 12

FIG. 13