



US00D536949S

(12) **United States Design Patent** (10) **Patent No.:** **US D536,949 S**
Weinerman et al. (45) **Date of Patent:** **** Feb. 20, 2007**

(54) **PORTIONS OF A LATCH ASSEMBLY**

OTHER PUBLICATIONS

(75) Inventors: **Lee S. Weinerman**, Medina, OH (US);
Scott A. Arthurs, Brunswick, OH (US);
Arthur J. Kuminski, Parma, OH (US)

Eberhard Manufacturing Co., Cleveland, OH Catalog 107,
© 1996, p. 164 entitled "Tie Downs" showing product Nos.
170, 172, 3-172 & 1170-8.

(73) Assignee: **The Eastern Company**, Cleveland, OH
(US)

Simmons Hardware Company Catalog p. 610, published
1930 p. 610 showing product No. 234J & other products.

(**) Term: **14 Years**

Primary Examiner—Prabhakar Deshmukh

(74) *Attorney, Agent, or Firm*—David A. Burge

(21) Appl. No.: **29/233,172**

(57) **CLAIM**

(22) Filed: **Jun. 29, 2005**

We claim the ornamental design for portions of a latch
assembly, as shown and described.

(51) **LOC (8) Cl.** **08-07**

(52) **U.S. Cl.** **D8/331**

(58) **Field of Classification Search** D8/330,
D8/331, 336, 339, 302, 343; 70/141, 208;
292/336.3, 169, 358, 359, 170, 175, 165,
292/224, 140-143, 240-242, DIG. 14, DIG. 30,
292/DIG. 31, DIG. 38, DIG. 4

DESCRIPTION

See application file for complete search history.

FIG. 1 is a perspective view showing front, left and first end
features of portions of a latch assembly showing our new
design;

FIG. 2 is a front view thereof;

FIG. 3 is a left side view thereof, it being understood that a
right side view is identical hereto but a mirror image reversal
hereof; and,

FIG. 4 is a first end view thereof, it being understood that an
opposite end view is identical hereto but a mirror image
reversal hereof.

The broken line disclosure in the drawings is provided for
illustrative purposes only and forms no part of the claimed
design.

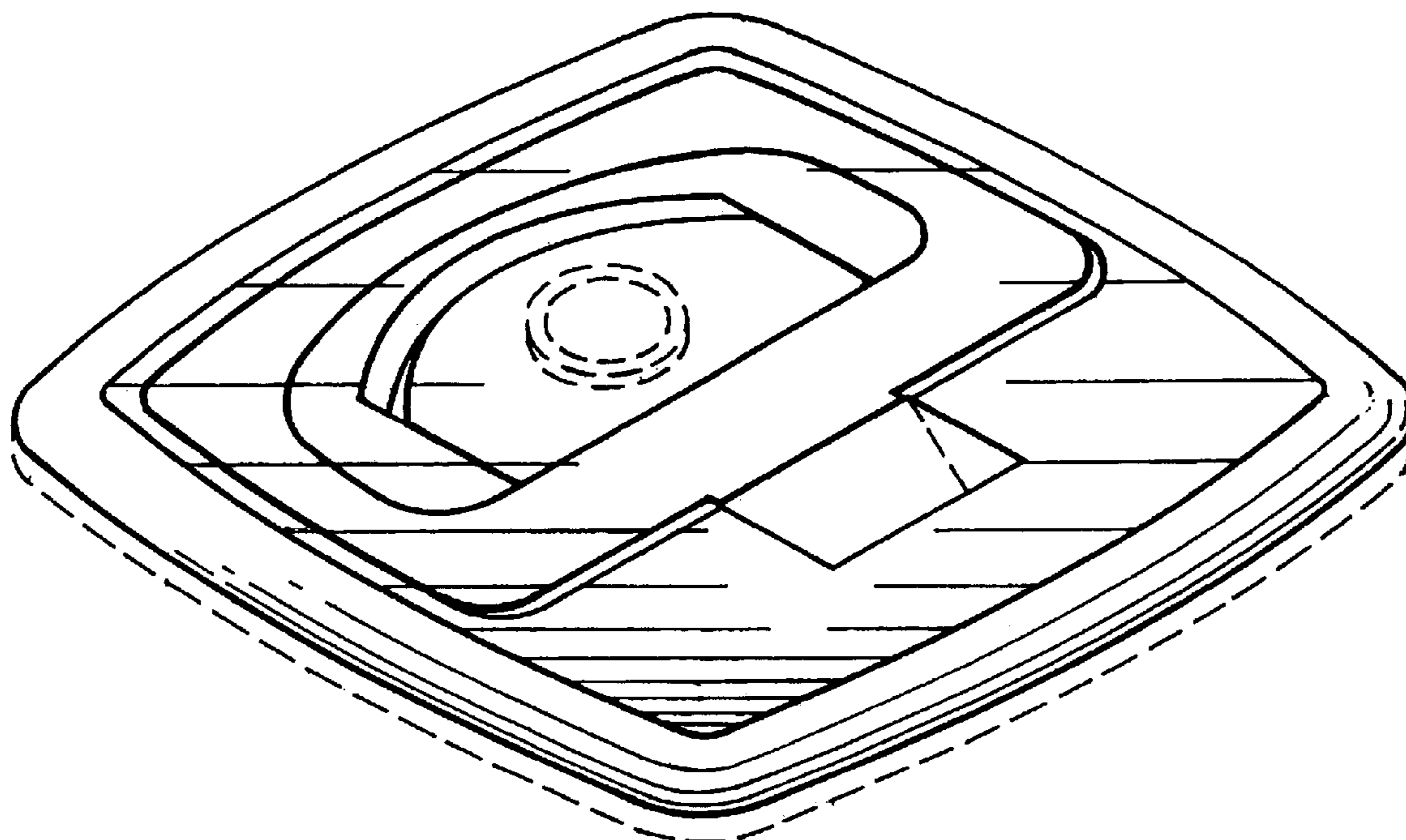
(56) **References Cited**

U.S. PATENT DOCUMENTS

1,035,073 A	8/1912	Augenbraun	70/150
1,877,612 A *	9/1932	Stieglitz	70/153
2,136,854 A	11/1938	Knott	292/169
D210,152 S	2/1968	Pastva, Jr.	D50/5
D210,153 S	2/1968	Pastva, Jr.	D50/5

(Continued)

1 Claim, 2 Drawing Sheets



US D536,949 S

Page 2

U.S. PATENT DOCUMENTS

3,389,932 A	6/1968	Pastva, Jr.	292/173	5,913,908 A	6/1999	Czipri	70/208
3,495,862 A *	2/1970	McClintock	292/173	D413,056 S	8/1999	Sokurenko et al.	D8/331
4,098,101 A	7/1978	Svoboda	70/134	D429,141 S *	8/2000	Antonucci et al.	D8/331
D271,562 S *	11/1983	Weinerman	D8/338	6,109,669 A	8/2000	Pinkow	292/175
D281,665 S	12/1985	Weinerman et al.	D8/302	D457,803 S	5/2002	Weinerman et al.	D8/338
4,589,163 A	5/1986	Weatherby et al.	16/443	D459,192 S	6/2002	Weinerman et al.	D8/338
4,706,478 A *	11/1987	Swan et al.	70/28	D465,400 S *	11/2002	Moore et al.	D8/331
4,858,973 A *	8/1989	Ogasawara et al.	292/347	D475,602 S	6/2003	McCloskey	D8/331
D303,619 S *	9/1989	Russell et al.	D8/313	6,709,030 B2	3/2004	Furlong	292/121
D303,922 S *	10/1989	Russell et al.	D8/321	6,719,332 B2	4/2004	Sekulovic	292/170
5,011,202 A	4/1991	Kato et al.	292/336.3	D489,958 S	5/2004	Jackson et al.	D8/331
D323,970 S	2/1992	Schlack	D8/341	D489,959 S	5/2004	Jackson et al.	D8/331
D324,636 S	3/1992	Schlack et al.	D8/331	6,786,518 B2	9/2004	Vitry	292/165
D328,231 S *	7/1992	Hansen	D8/301	D497,098 S	10/2004	Magnusson	D8/331
D339,050 S *	9/1993	Gleason et al.	D8/301	6,866,442 B1	3/2005	Petersen	403/326
D357,396 S	4/1995	Ziemer et al.	D8/331	6,877,782 B2	4/2005	Magnusson	292/170
5,413,391 A *	5/1995	Clavin et al.	292/170	D504,803 S *	5/2005	Misner et al.	D8/302
D364,329 S	11/1995	Ziemer et al.	D8/331	D506,120 S	6/2005	Straka, Jr. et al.	D8/331
D370,620 S	6/1996	Ziemer	D8/341	D519,823 S	5/2006	Pickar et al.	D8/331

* cited by examiner

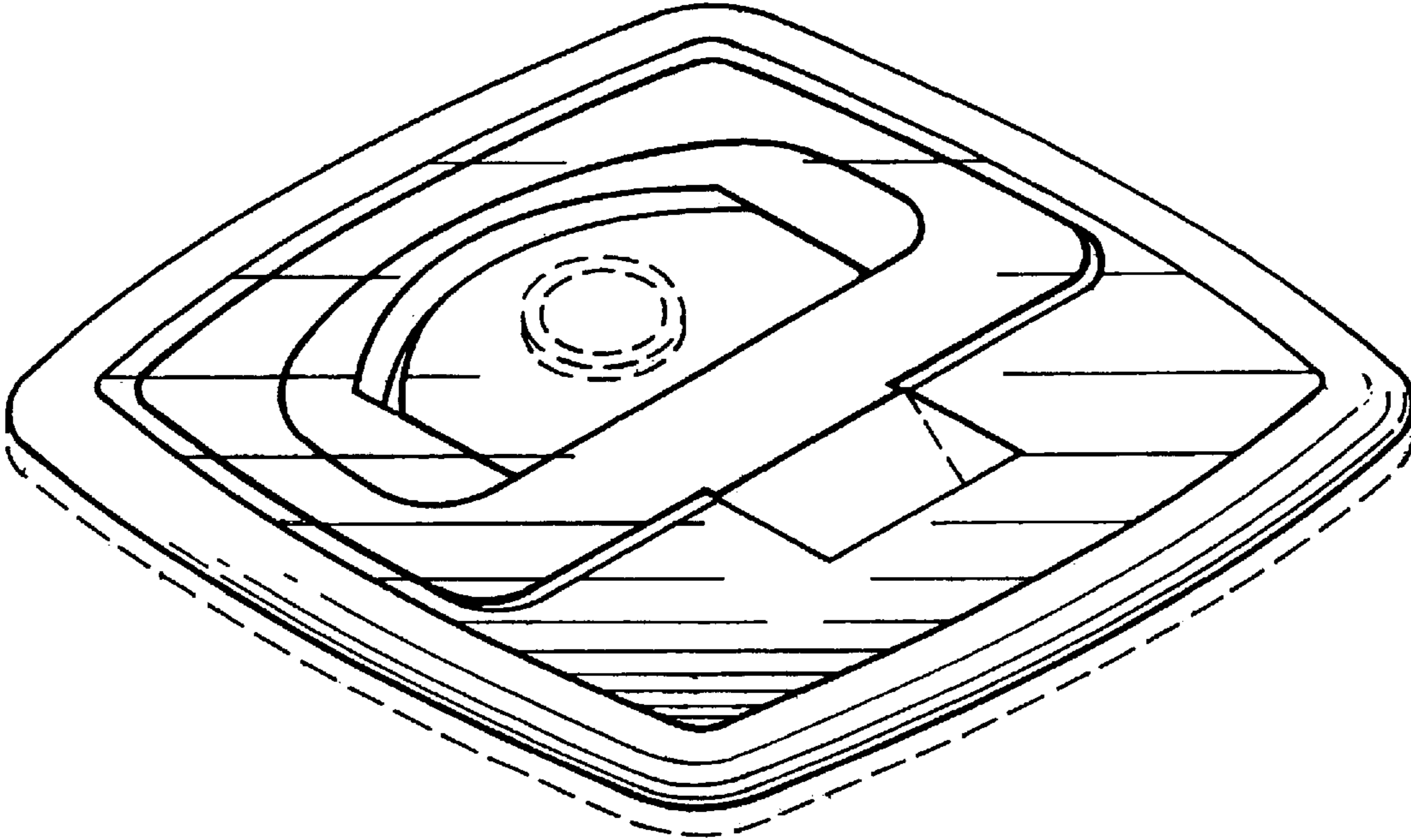


FIG. 1

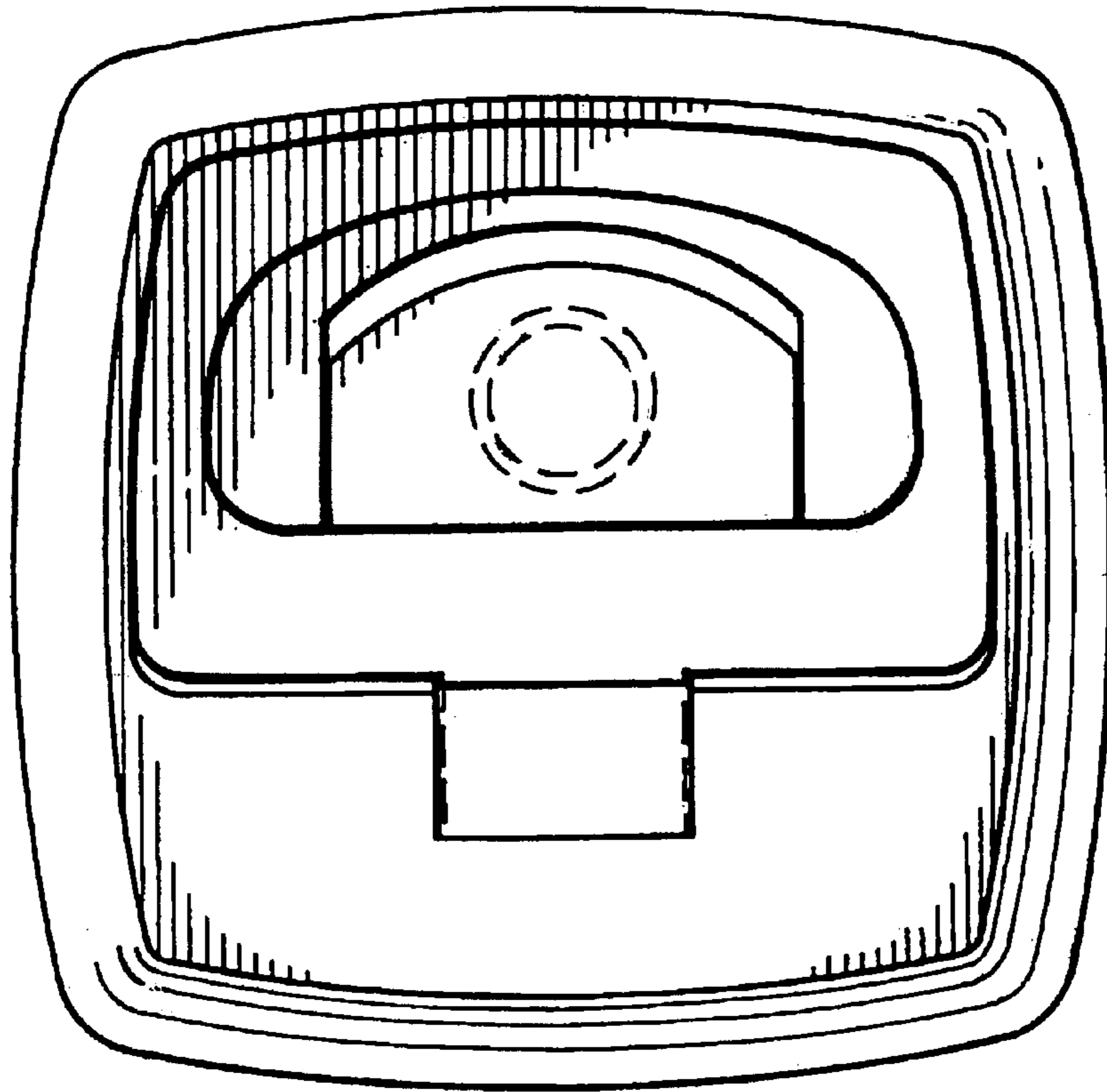


FIG. 2

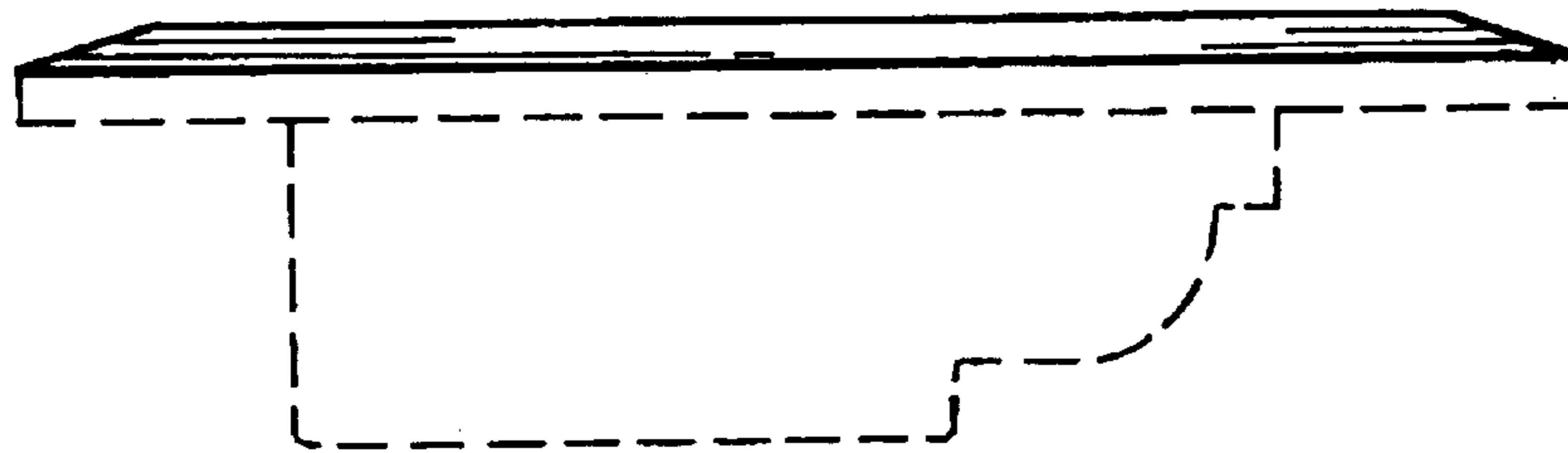


FIG. 3

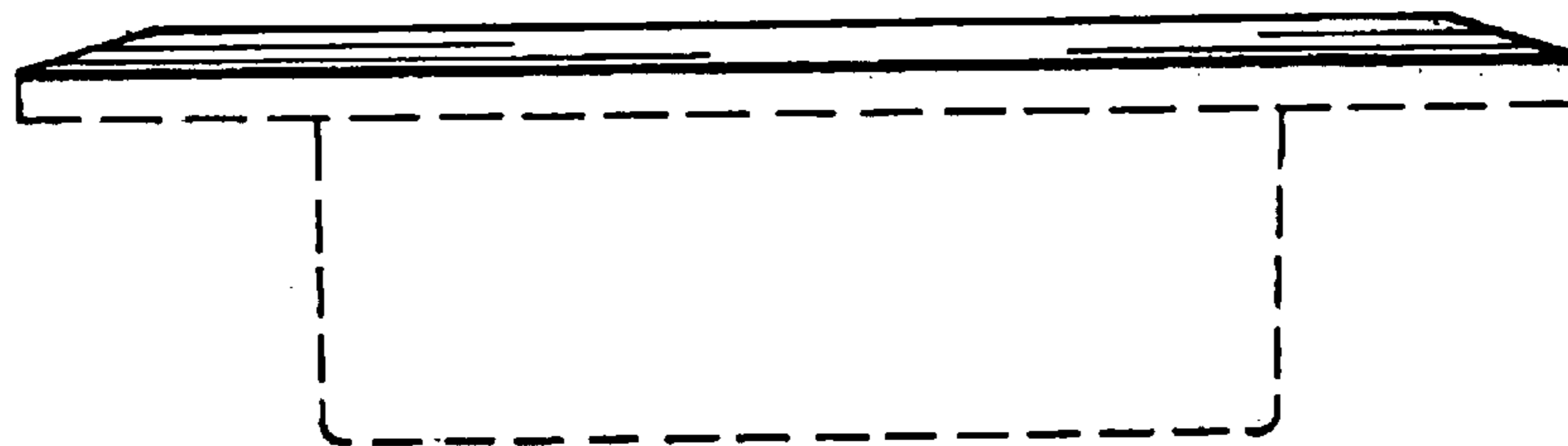


FIG. 4