



US00D536948S

(12) **United States Design Patent**
Fields

(10) **Patent No.:** **US D536,948 S**

(45) **Date of Patent:** **** Feb. 20, 2007**

(54) **KNOB**

(75) Inventor: **Betsy E. Fields**, Silverton, CO (US)

(73) Assignee: **Liberty Hardware Mfg. Corp.**,
Winston-Salem, NC (US)

(**) Term: **14 Years**

(21) Appl. No.: **29/245,248**

(22) Filed: **Dec. 21, 2005**

(51) **LOC (8) Cl.** **08-06**

(52) **U.S. Cl.** **D8/310**

(58) **Field of Classification Search** D8/300-302,
D8/305, 307, 310, 315, 316-320, 350, 352,
D8/353; 16/110.1, 412, 413, 414-420, 441,
16/443-446; 292/347

See application file for complete search history.

(56) **References Cited**

U.S. PATENT DOCUMENTS

D7,093 S	*	1/1874	Gorman	D8/310
3,229,322 A	*	1/1966	Herr et al.	16/441
D204,870 S	*	5/1966	Adams	D8/305
D205,628 S	*	8/1966	Bottoms	D8/310
D227,855 S	*	7/1973	Tagner	D8/310
D246,091 S	*	10/1977	James	D8/310
D301,681 S	*	6/1989	Jans	D8/312

D383,371 S	*	9/1997	Doughty et al.	D8/310
D464,862 S	*	10/2002	Younani	D8/301
D470,740 S	*	2/2003	Fields	D8/310
D471,073 S	*	3/2003	Fields	D8/310

* cited by examiner

Primary Examiner—Paula A. Greene

(74) *Attorney, Agent, or Firm*—Edgar A. Zarins; Lloyd D. Doigan

(57) **CLAIM**

The ornamental design for a knob, as shown and described.

DESCRIPTION

FIG. 1 is a perspective view of a knob showing my new design;

FIG. 2 is a front elevational view thereof, the undisclosed bottom is not part of the claimed design;

FIG. 3 is a side view thereof, all sides are the same;

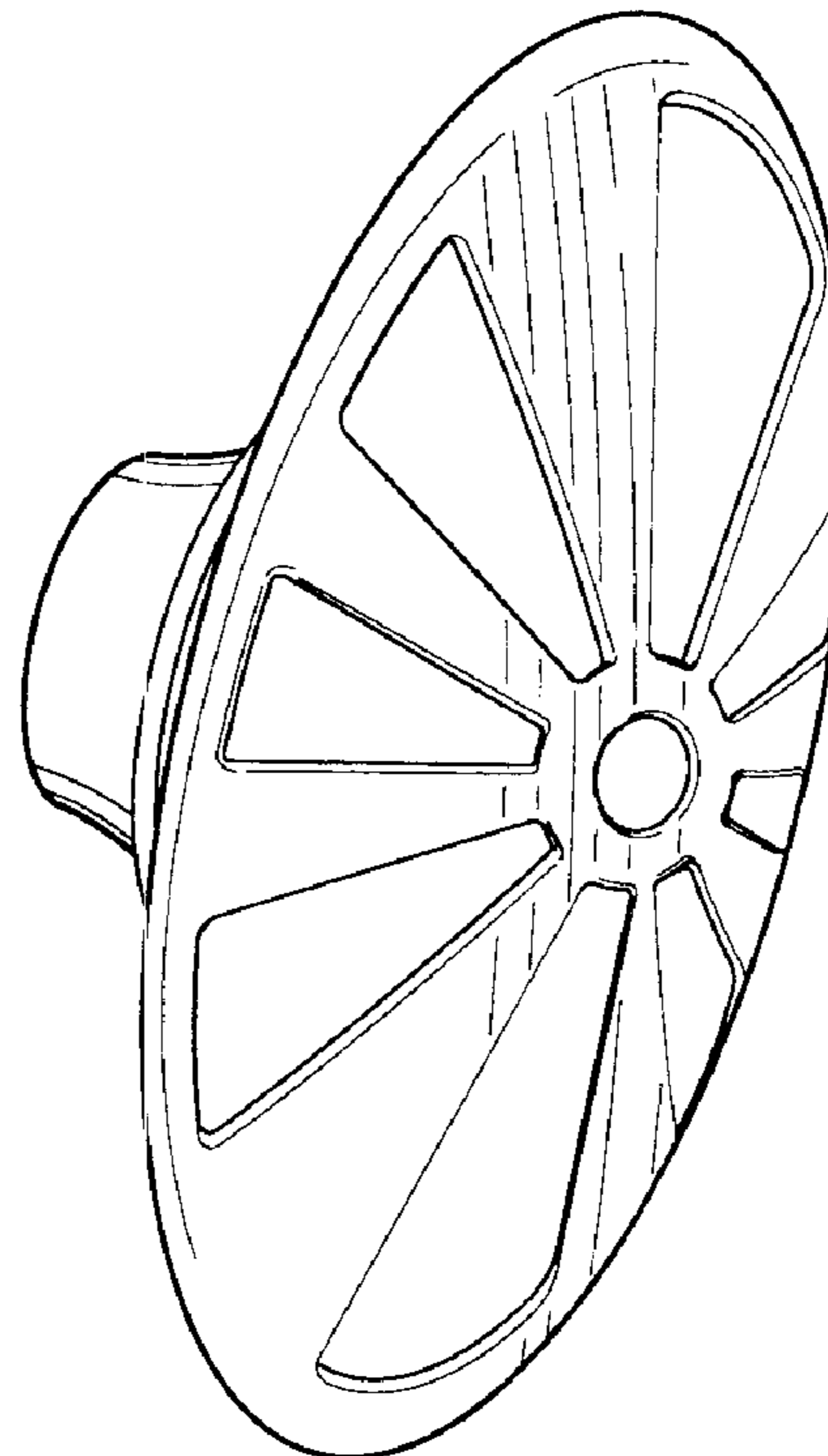
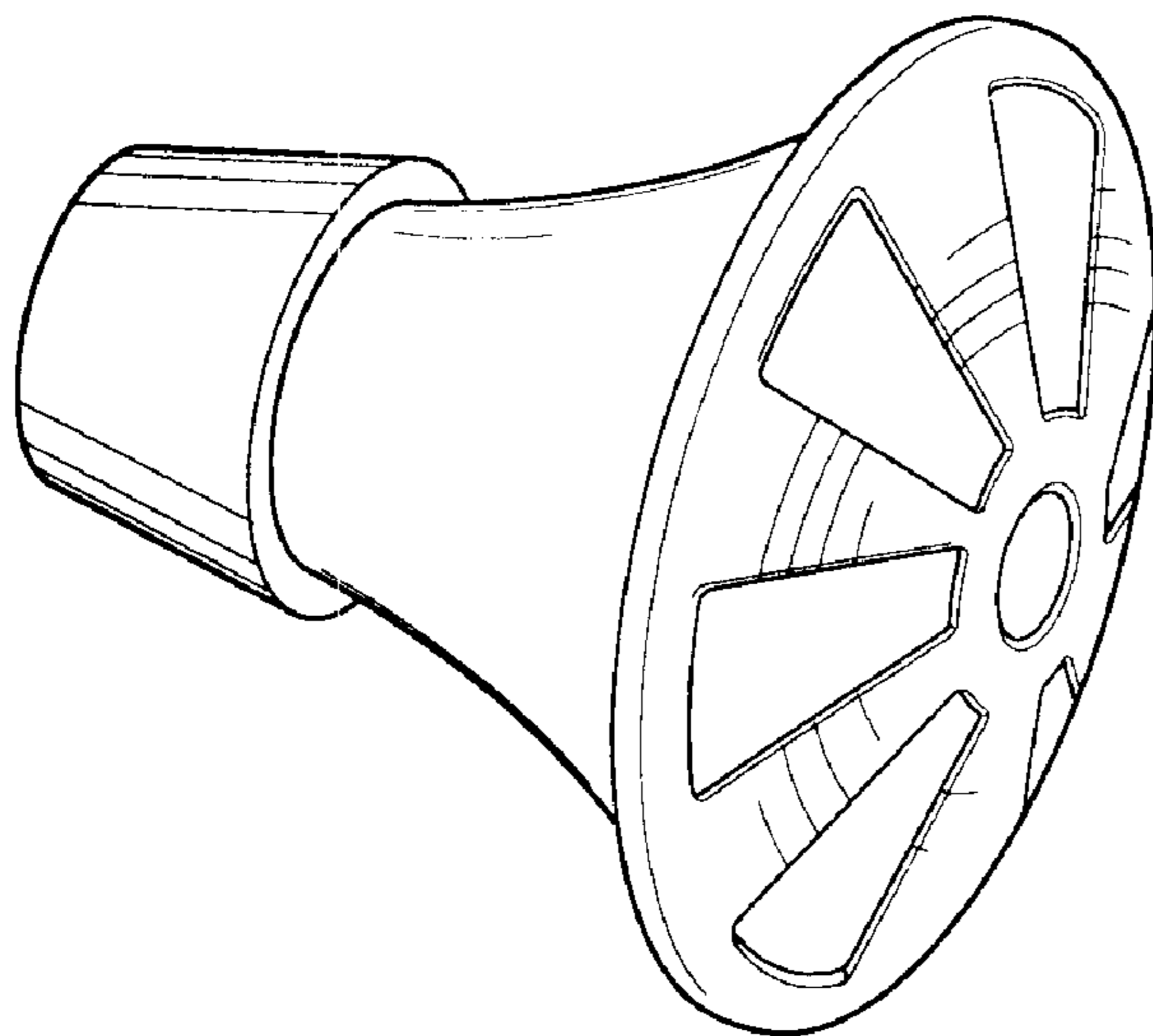
FIG. 4 is a perspective view of an alternate embodiment thereof;

FIG. 5 is a first end view thereof, the opposite end being a mirror of the end shown;

FIG. 6 is a front elevational view thereof, the undisclosed bottom is not part of the claimed design; and,

FIG. 7 is a side view thereof, the opposite side being a mirror image of the side shown.

1 Claim, 2 Drawing Sheets



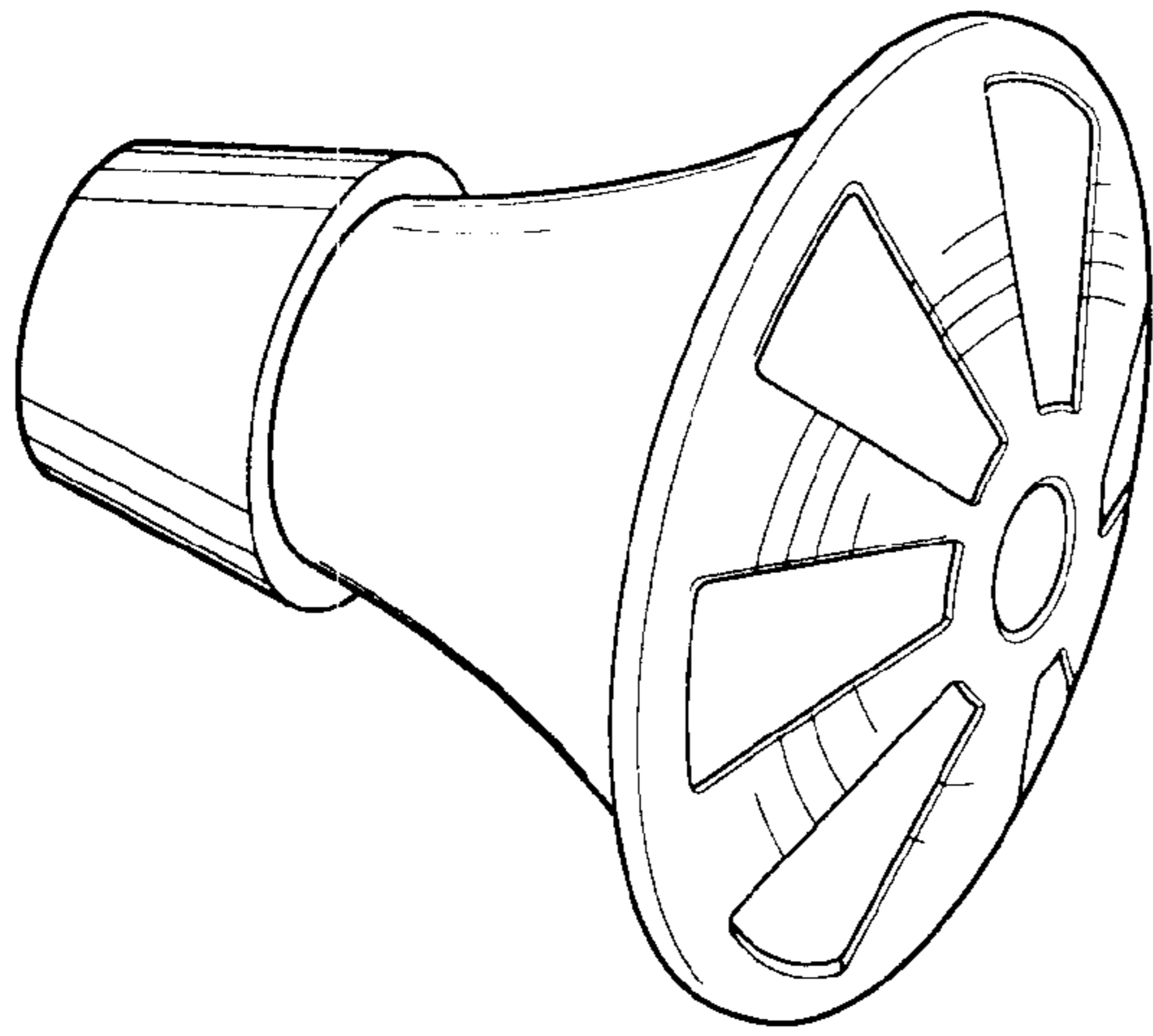


Fig-1

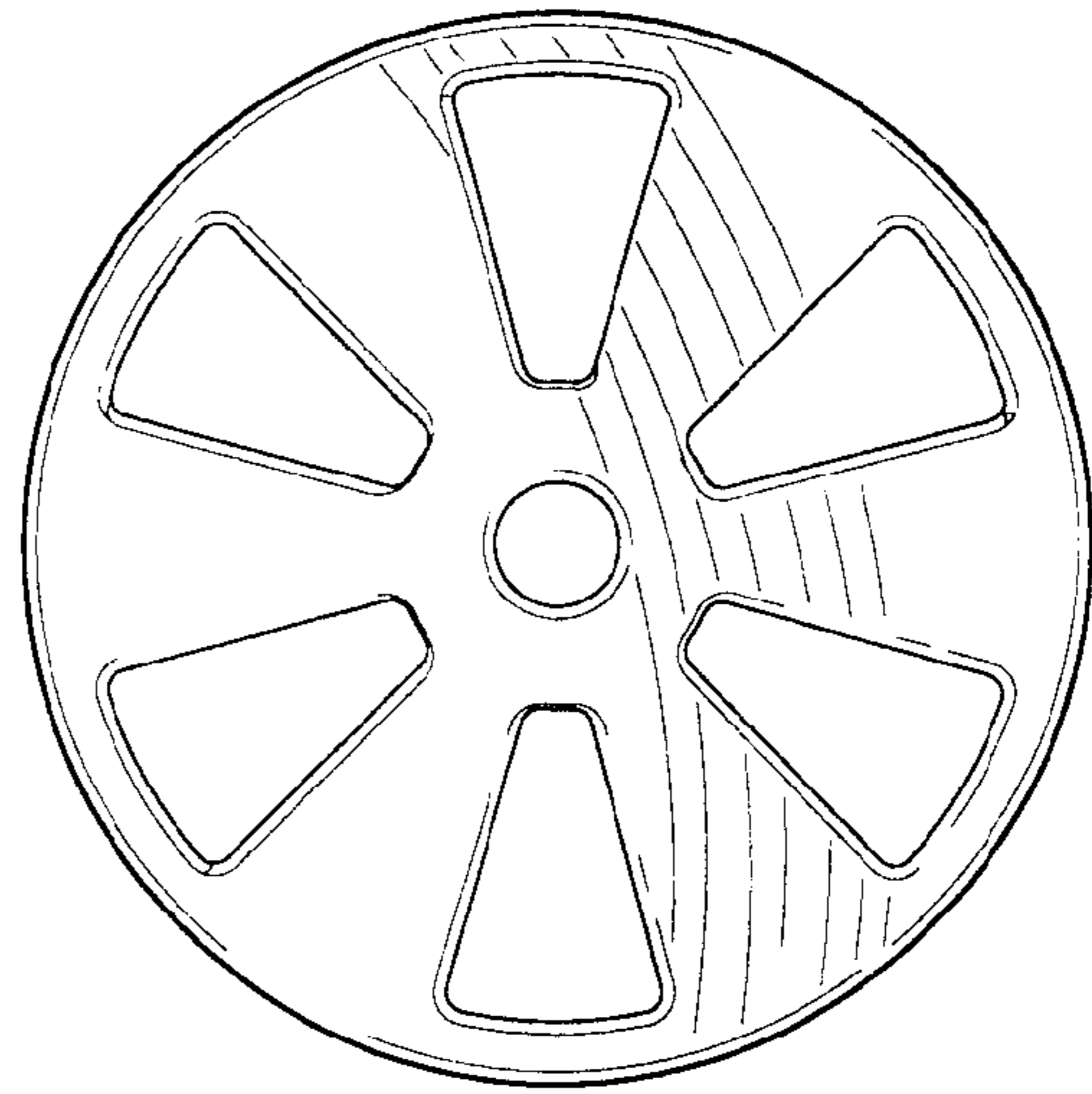


Fig-2

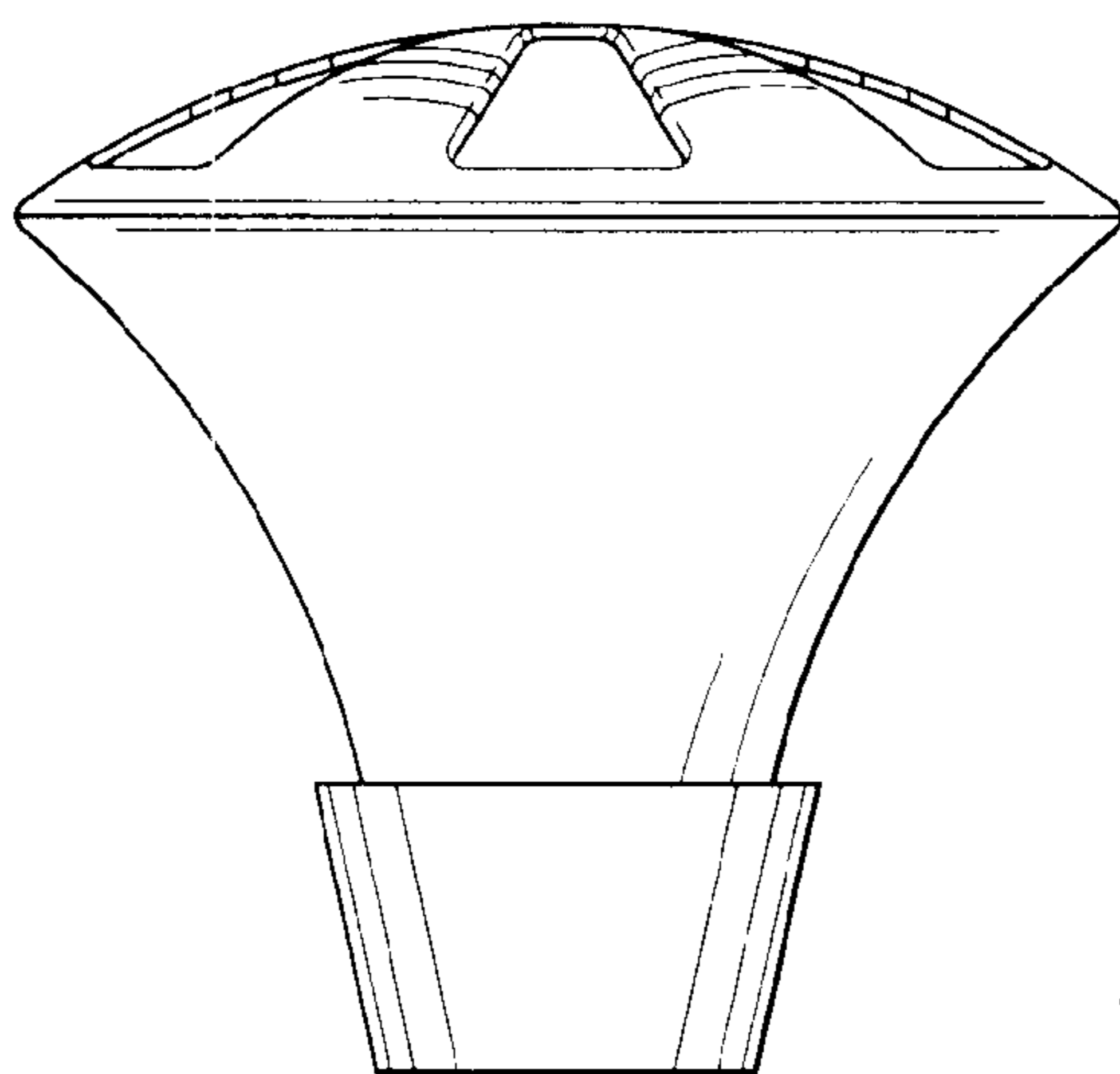


Fig-3

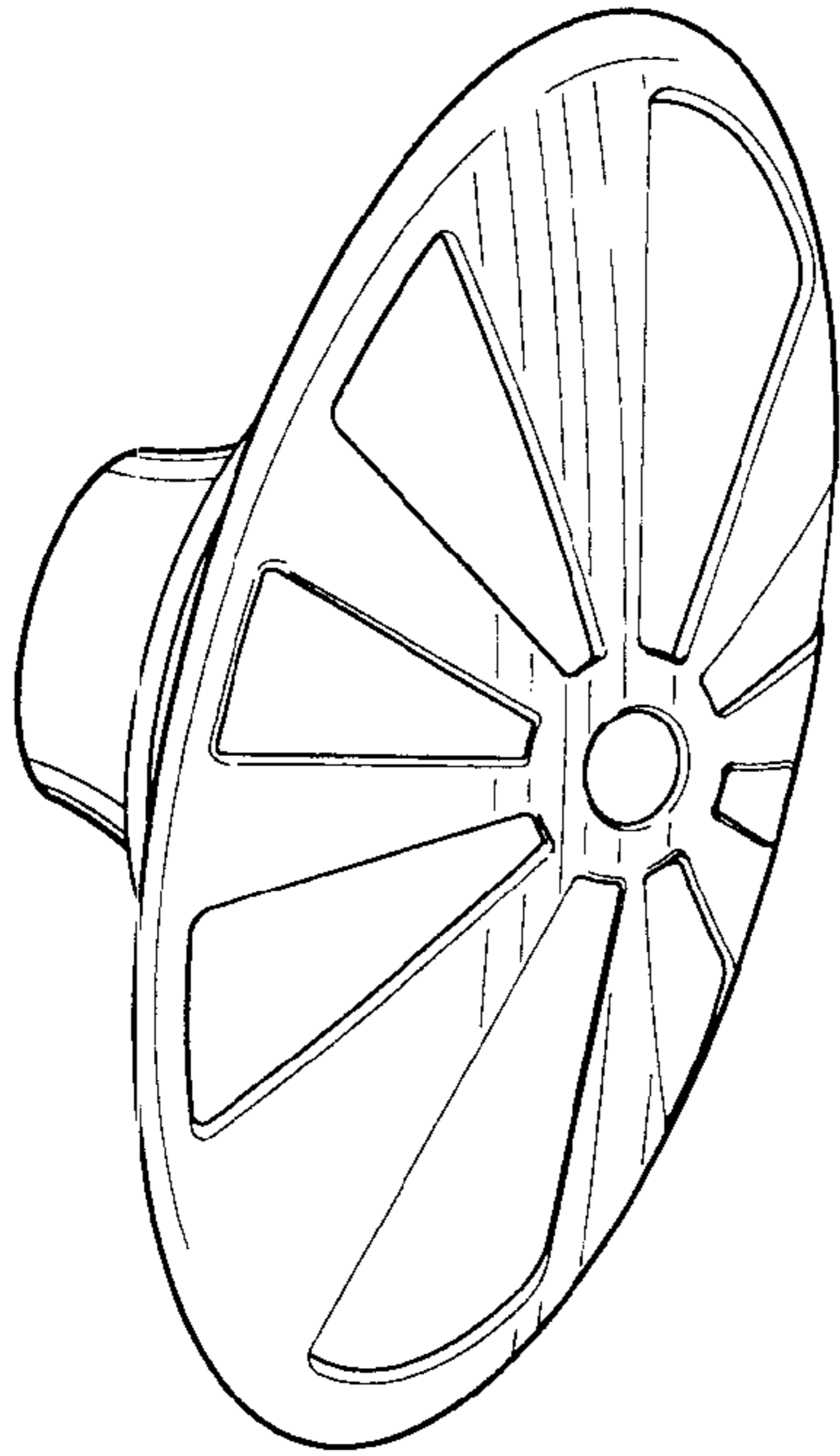


Fig-4

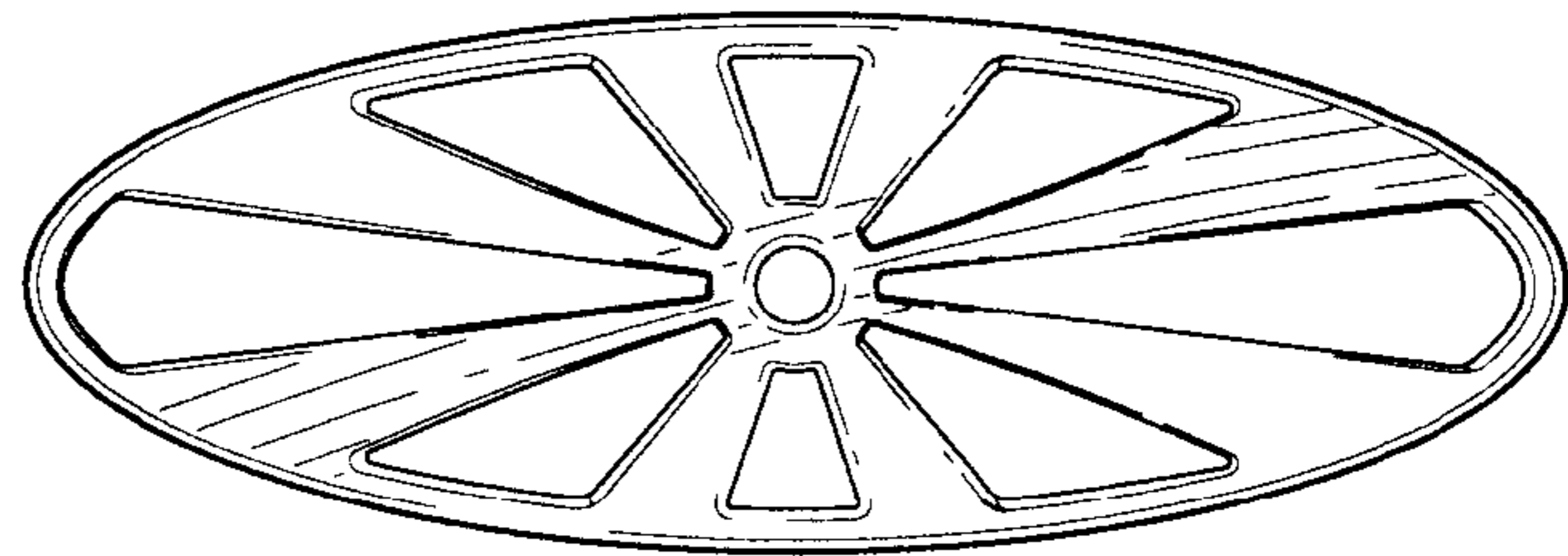


Fig-5

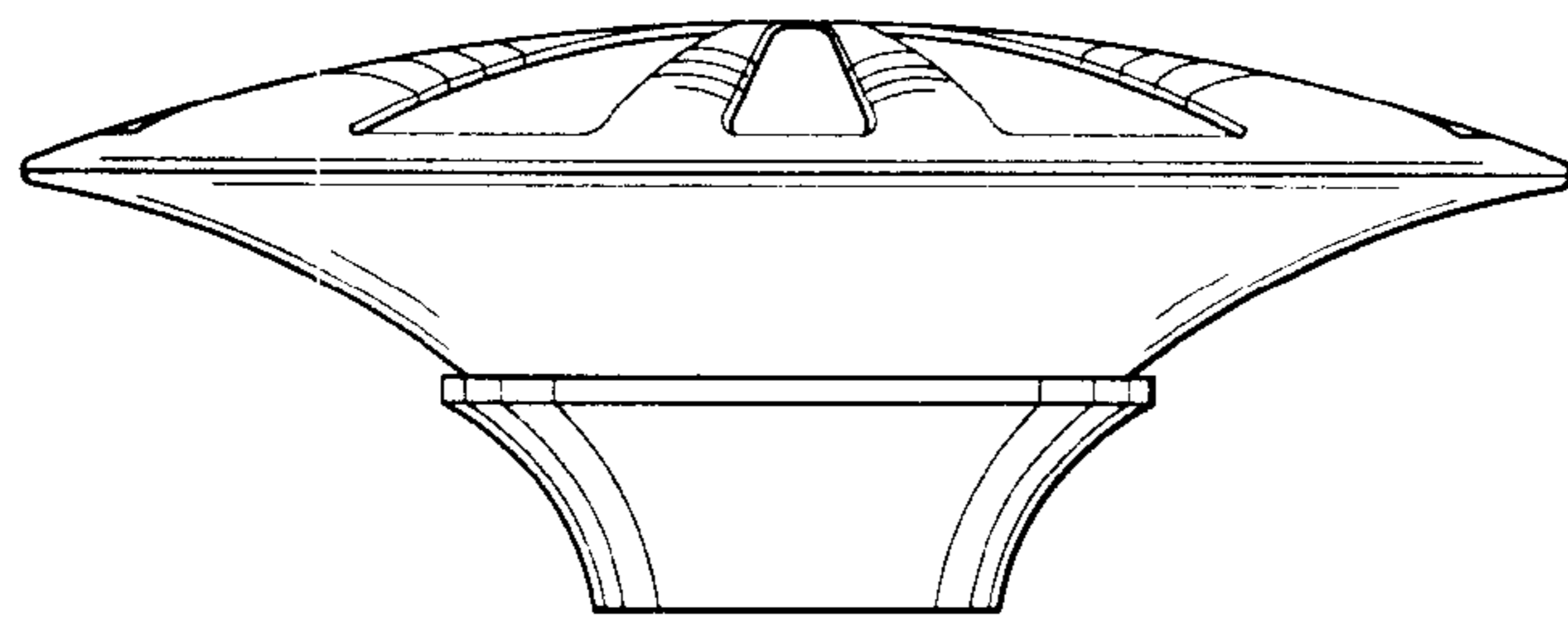


Fig-6

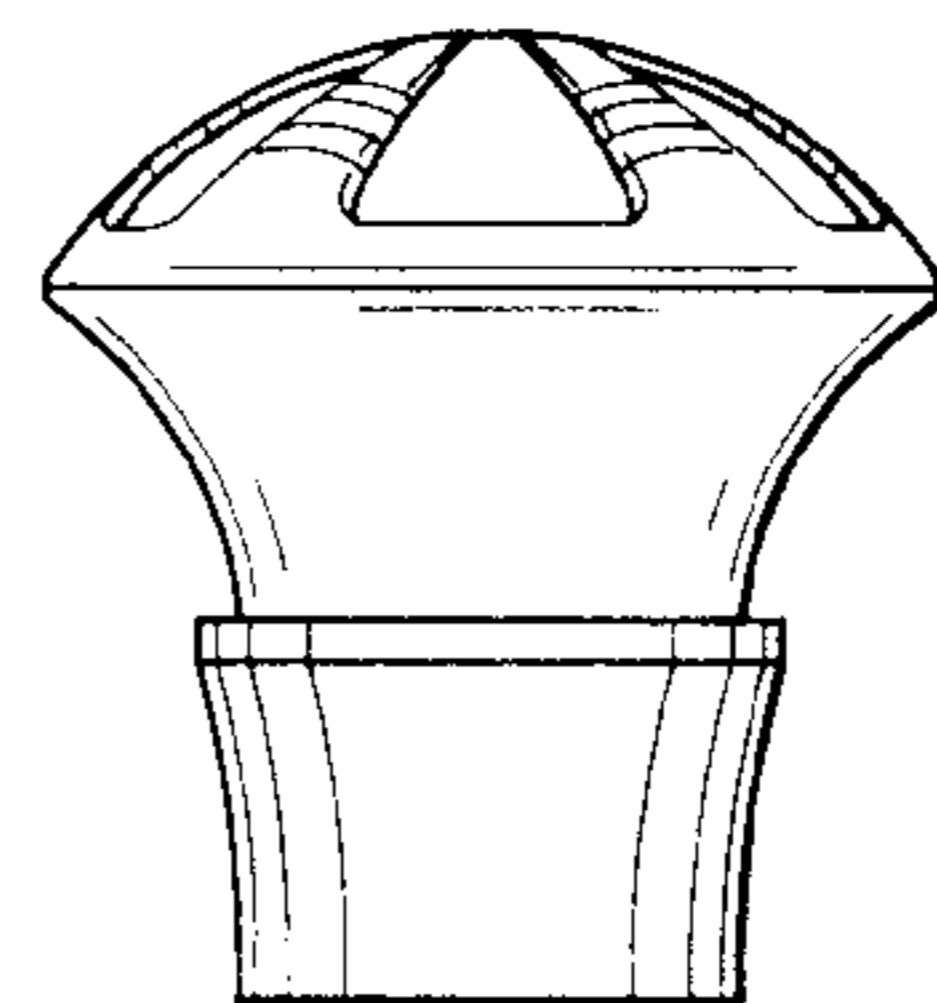


Fig-7