



US00D536945S

(12) **United States Design Patent**
Yang

(10) **Patent No.:** **US D536,945 S**

(45) **Date of Patent:** **** Feb. 20, 2007**

(54) **TILE CUTTER**

(76) **Inventor:** **Te-Chuan Yang**, No. 528, Tung Kuang Yaun Rd., East District, Taichung City (TW)

(**) **Term:** **14 Years**

(21) **Appl. No.:** **29/252,718**

(22) **Filed:** **Jan. 26, 2006**

(51) **LOC (8) Cl.** **08-03**

(52) **U.S. Cl.** **D8/98; D8/51; D15/127**

(58) **Field of Classification Search** **D8/51, D8/52, 98; D15/127; 83/614, 881, 886; 125/23.01, 125/23.02**

See application file for complete search history.

(56) **References Cited**

U.S. PATENT DOCUMENTS

D421,995 S * 3/2000 Engelfried et al. D15/133

D464,066 S * 10/2002 Smith et al. D15/133

* cited by examiner

Primary Examiner—Antoine D. Davis

Assistant Examiner—Patricia Palasik

(74) *Attorney, Agent, or Firm*—Alan D. Kamrath; Nikolai & Mersereau, P.A.

(57) **CLAIM**

The ornamental design for a tile cutter, as shown and described.

DESCRIPTION

FIG. 1 is a perspective view of a tile cutter showing my design;

FIG. 2 is a front elevational view thereof;

FIG. 3 is a rear elevational view thereof;

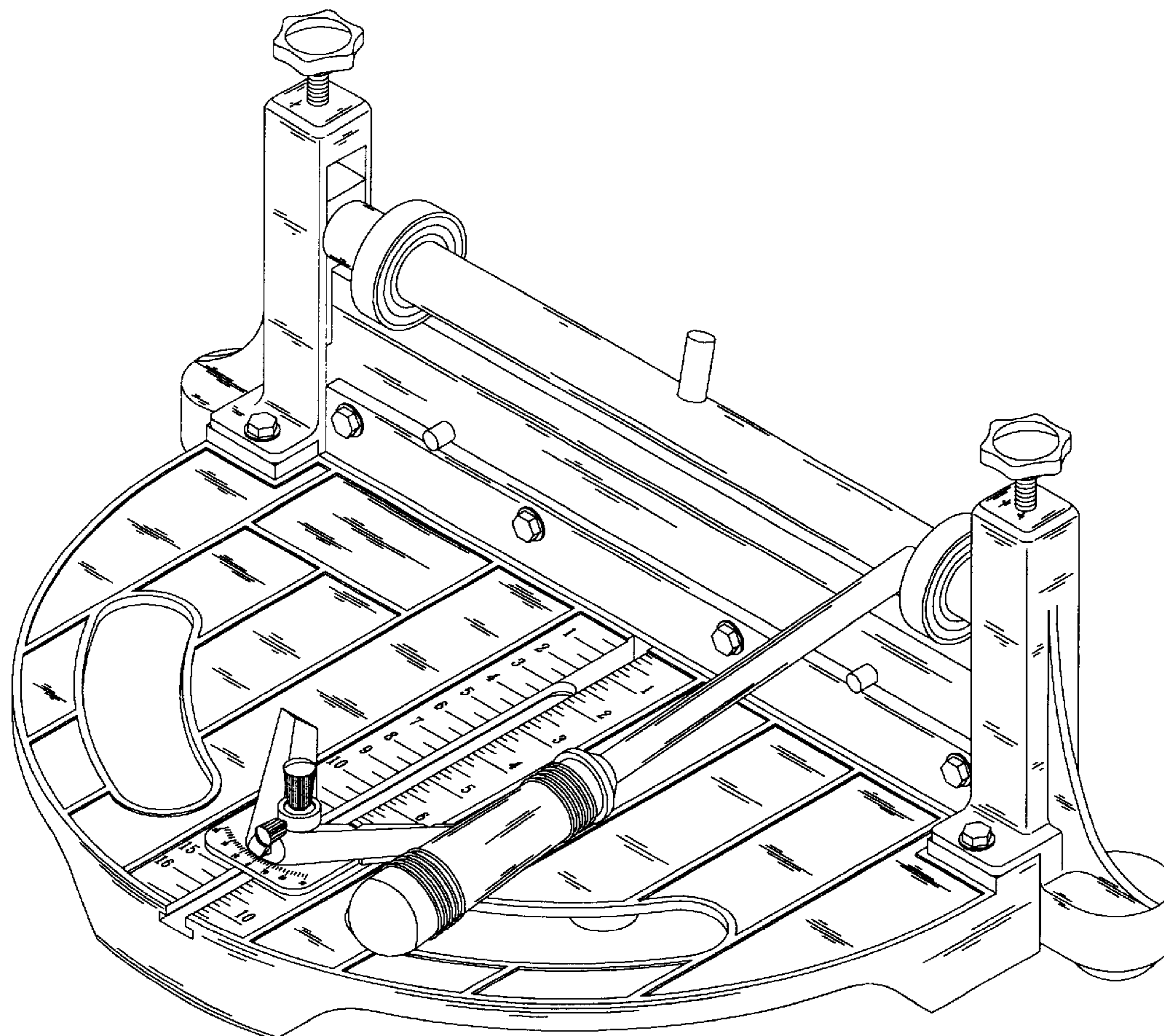
FIG. 4 is a left side elevational view thereof;

FIG. 5 is a right side elevational view thereof;

FIG. 6 is a top plan view thereof; and,

FIG. 7 is a bottom plan view thereof.

1 Claim, 6 Drawing Sheets



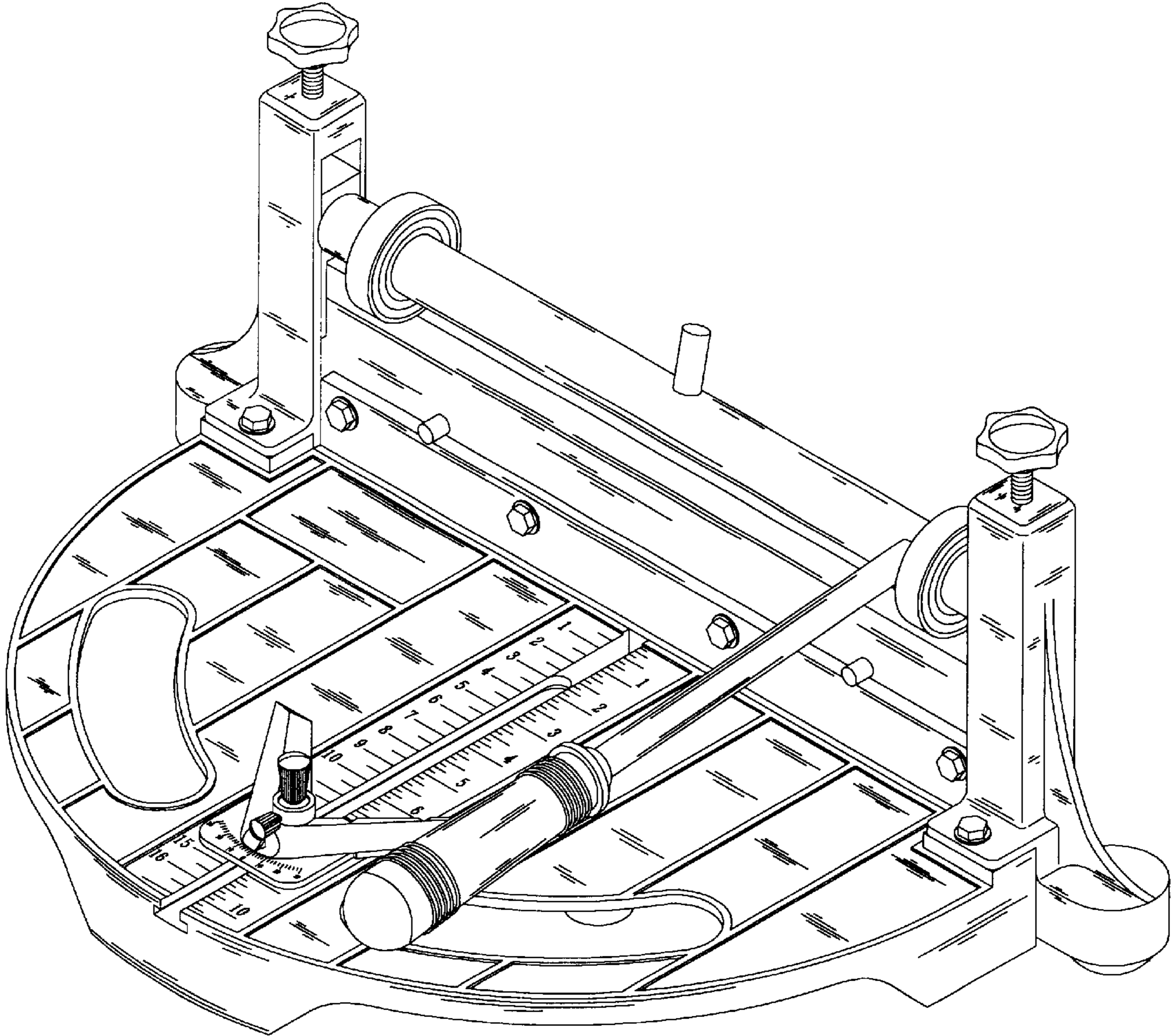


FIG. 1

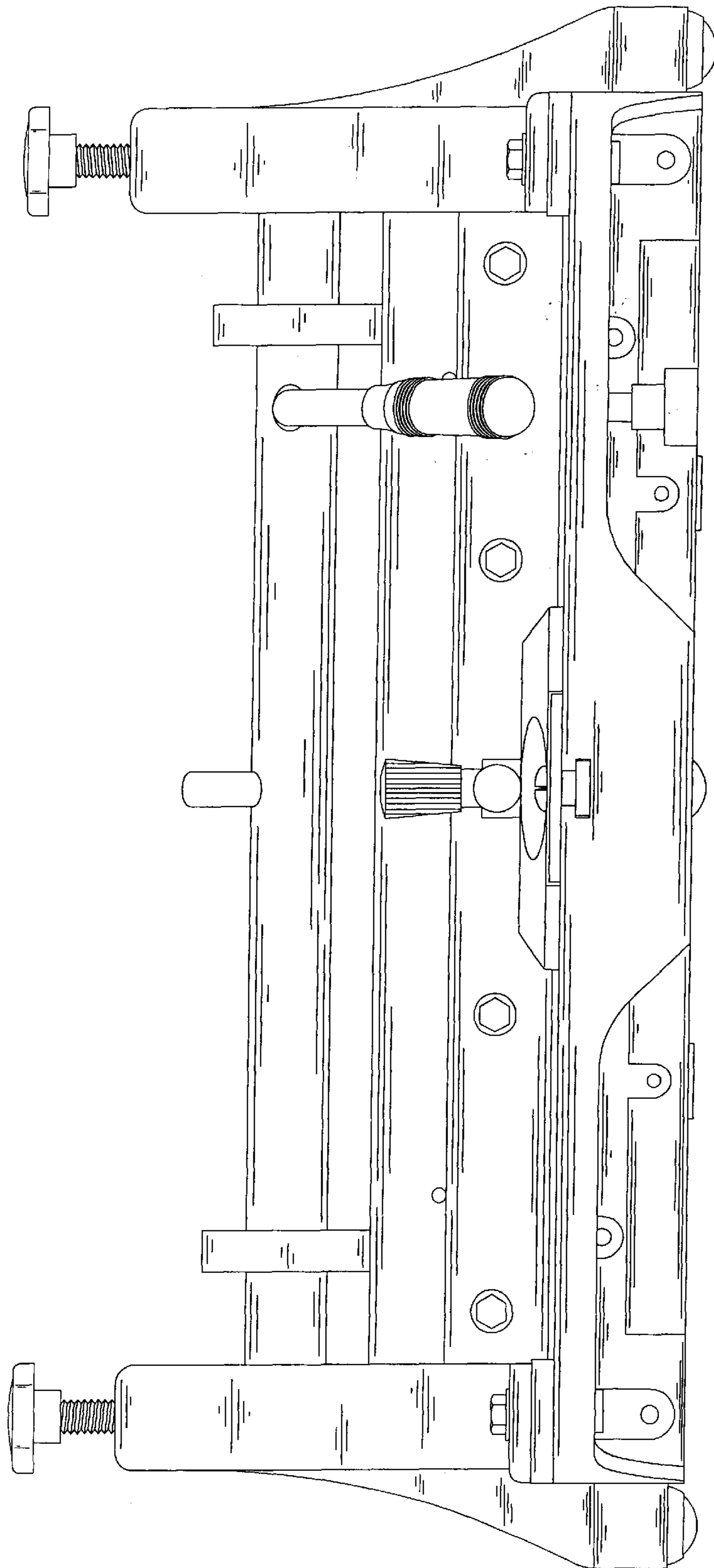


FIG. 2

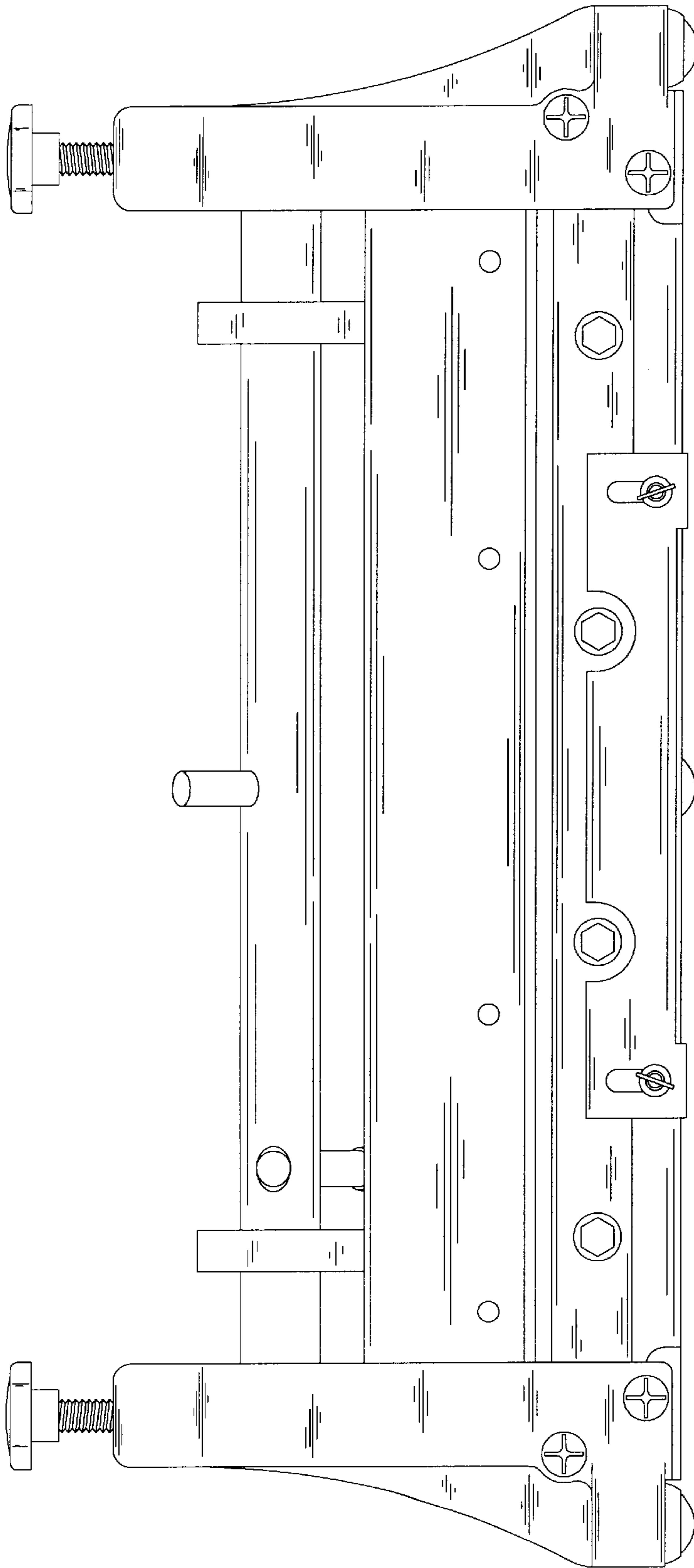


FIG. 3

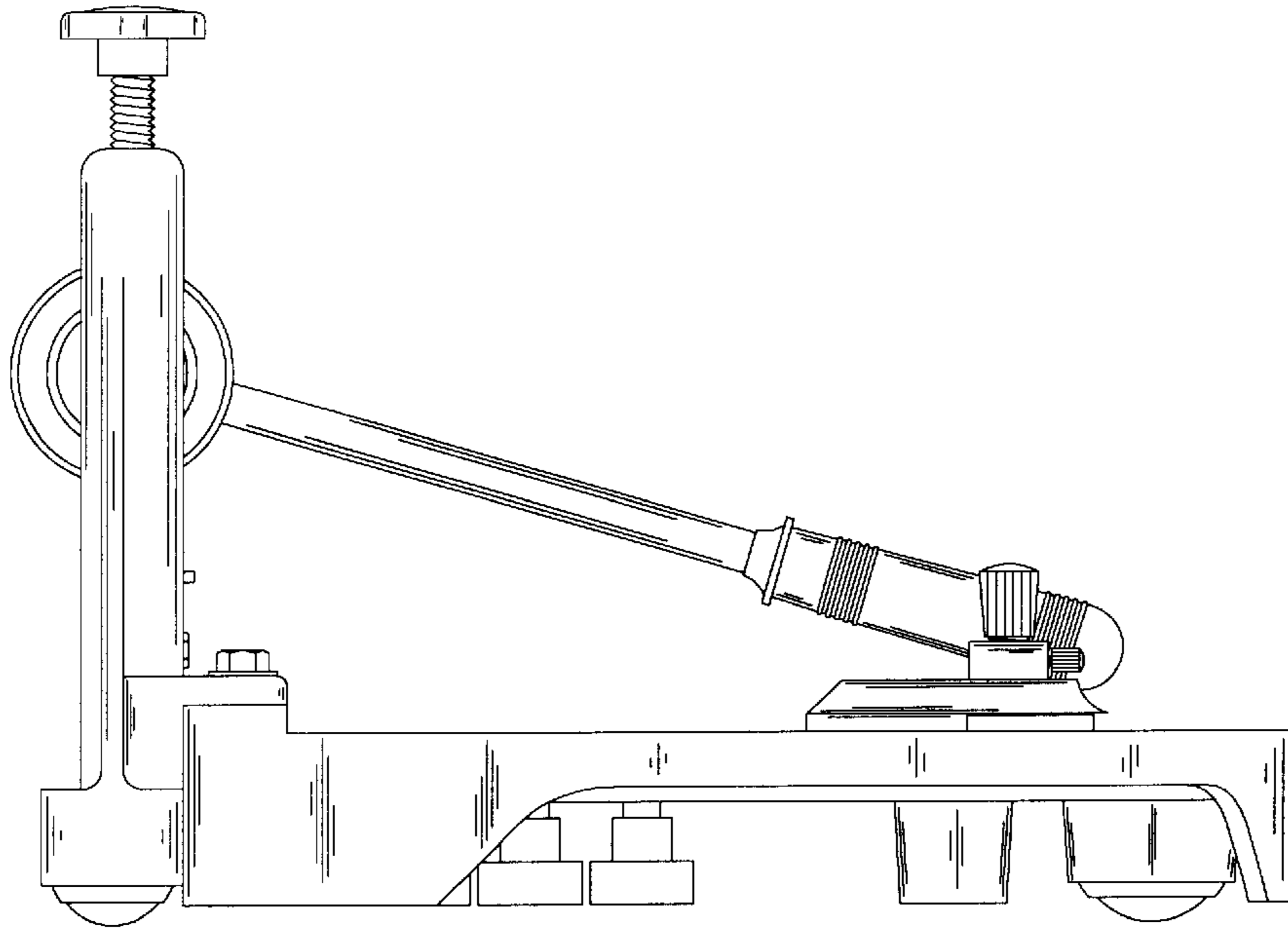


FIG. 4

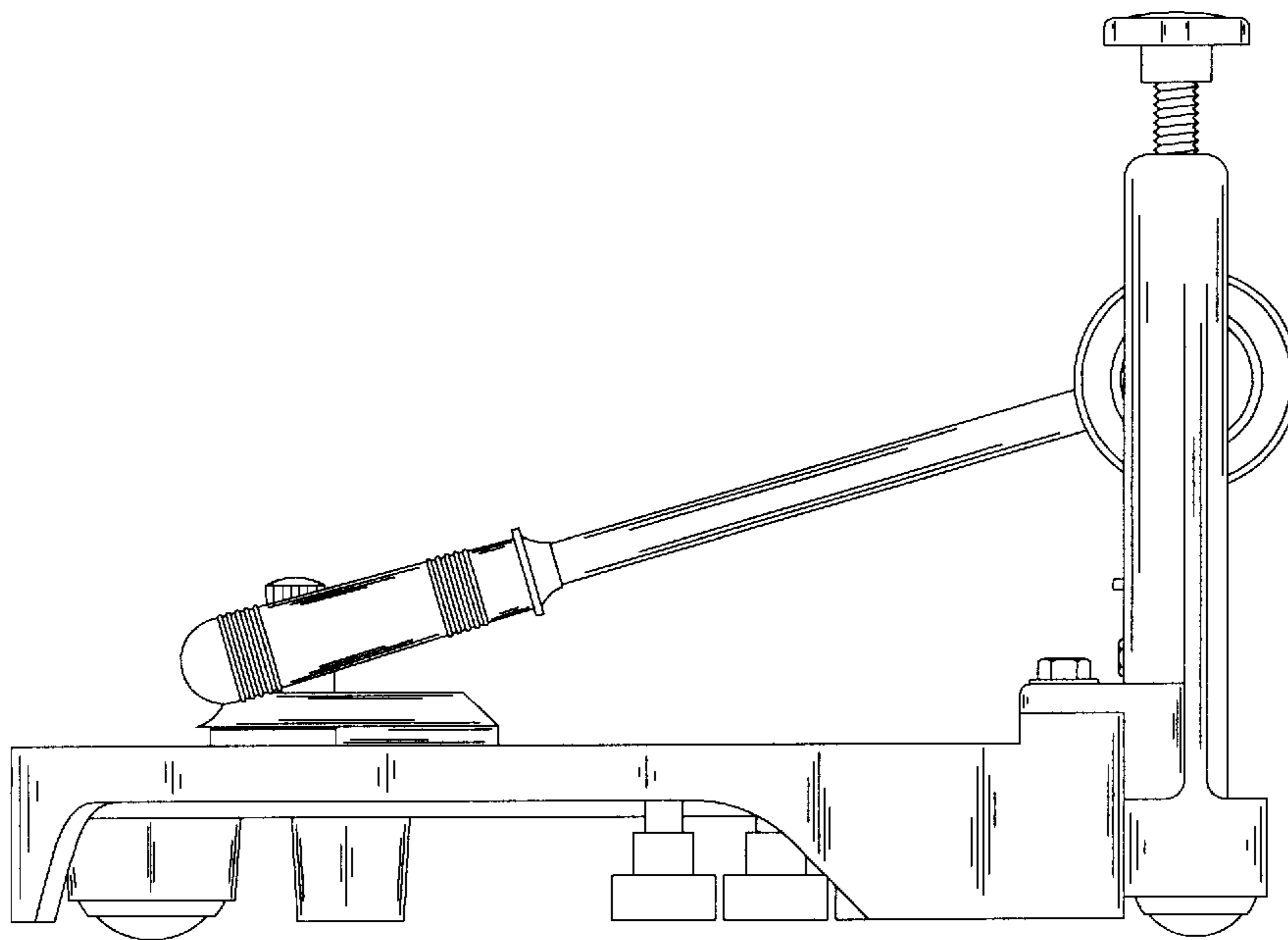


FIG. 5

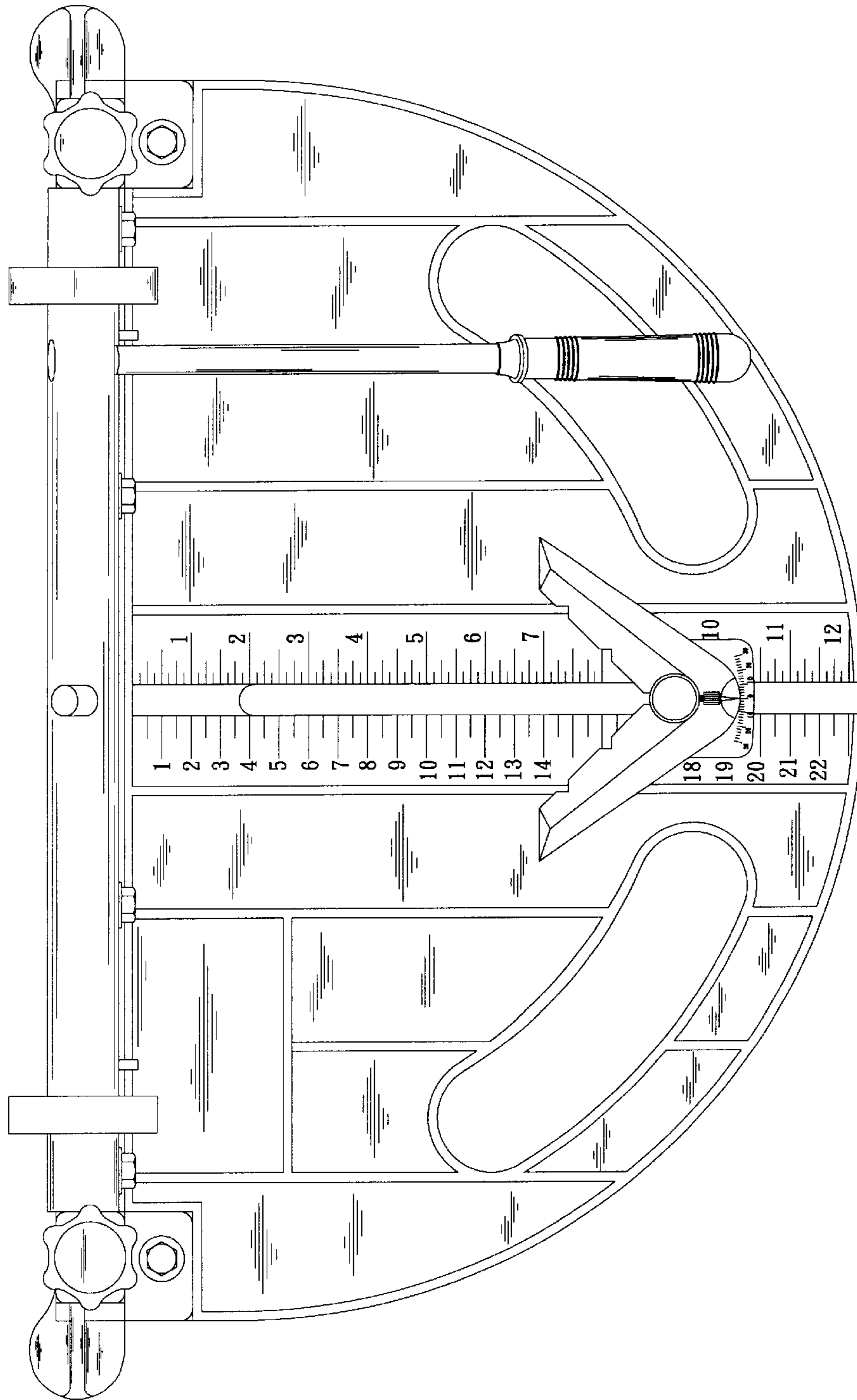


FIG. 6

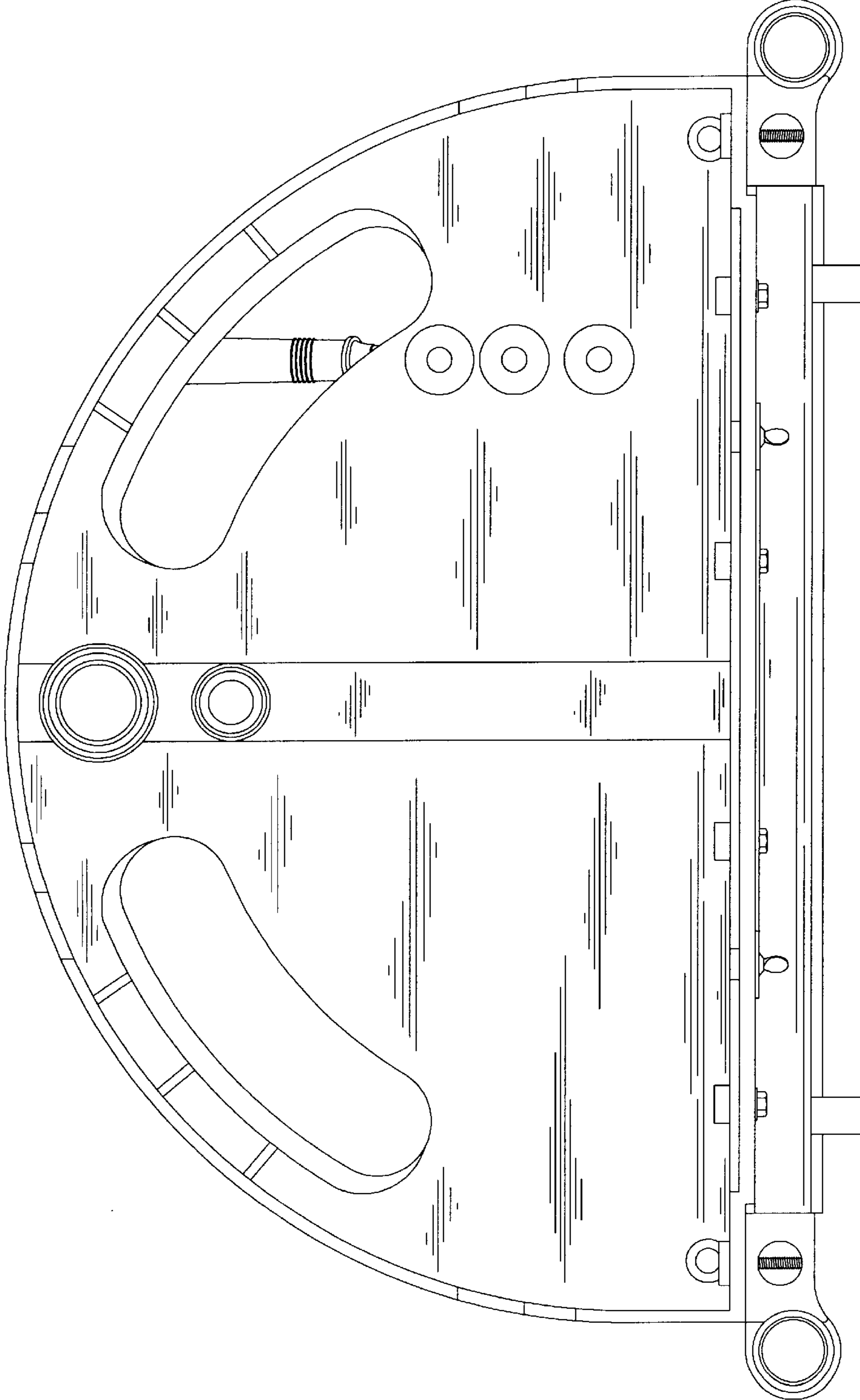


FIG. 7