



US00D536943S

(12) **United States Design Patent**
Tsai et al.

(10) **Patent No.:** **US D536,943 S**
(45) **Date of Patent:** **** Feb. 20, 2007**

(54) **ELECTRIC HANDTOOL**
(75) Inventors: **Kim Y. C. Tsai**, Taichung Hsien (TW);
Ju-Chien Chen, Taichung (TW);
Fu-Tasi Wu, Taichung County (TW);
Tung-Chin Kuo, Taichung County
(TW); **Hsiang-Po Huang**, Taichung
County (TW)
(73) Assignee: **Mobiletron Electronics Co., Ltd.**,
Taichung Hsien (TW)

(**) Term: **14 Years**

(21) Appl. No.: **29/259,476**

(22) Filed: **May 10, 2006**

(51) **LOC (8) Cl.** **08-05**
(52) **U.S. Cl.** **D8/68**
(58) **Field of Classification Search** D8/14.1,
D8/61, 62, 63, 64, 65, 66, 67, 68, 69, 70;
81/57.11, 429, 464, 465, 466, 469, 489; 173/13,
173/104, 114, 168, 169, 170, 171, 178, 201,
173/211, 213, 217; 408/20, 124, 125, 234,
408/241 R; 451/358; 310/50; 227/8, 113,
227/114, 120, 130, 136, 142
See application file for complete search history.

(56) **References Cited**

U.S. PATENT DOCUMENTS

D323,606 S * 2/1992 Chang D8/68
D327,619 S * 7/1992 Tsai D8/68
D377,442 S * 1/1997 Kikuchi D8/68
D378,268 S * 3/1997 Schultz D8/68
D382,457 S * 8/1997 Ghode et al. D8/68
D396,177 S * 7/1998 Schultz D8/68

5,799,739 A * 9/1998 Takaada et al. 173/217
D402,871 S * 12/1998 Clowers et al. D8/68
D403,220 S * 12/1998 Kimata et al. D8/68
D419,413 S * 1/2000 Heun D8/68
D421,883 S * 3/2000 Watson et al. D8/68
D426,126 S * 6/2000 Schultz D8/68
D429,134 S * 8/2000 Schultz et al. D8/68
D440,850 S * 4/2001 Ozawa et al. D8/68
6,308,378 B1 * 10/2001 Mooty et al. 81/489
D460,674 S * 7/2002 Heun D8/68
D467,483 S * 12/2002 Heun D8/68
D475,596 S * 6/2003 Ozawa et al. D8/68
6,745,883 B2 * 6/2004 Eto et al. 173/178
6,840,335 B1 * 1/2005 Wu 310/50
D512,373 S * 12/2005 Tsai et al. D13/108
D520,836 S * 5/2006 Wu D8/68
2003/0002934 A1 * 1/2003 Hsu 408/124

* cited by examiner

Primary Examiner—T. Chase Nelson
(74) *Attorney, Agent, or Firm*—Bacon & Thomas

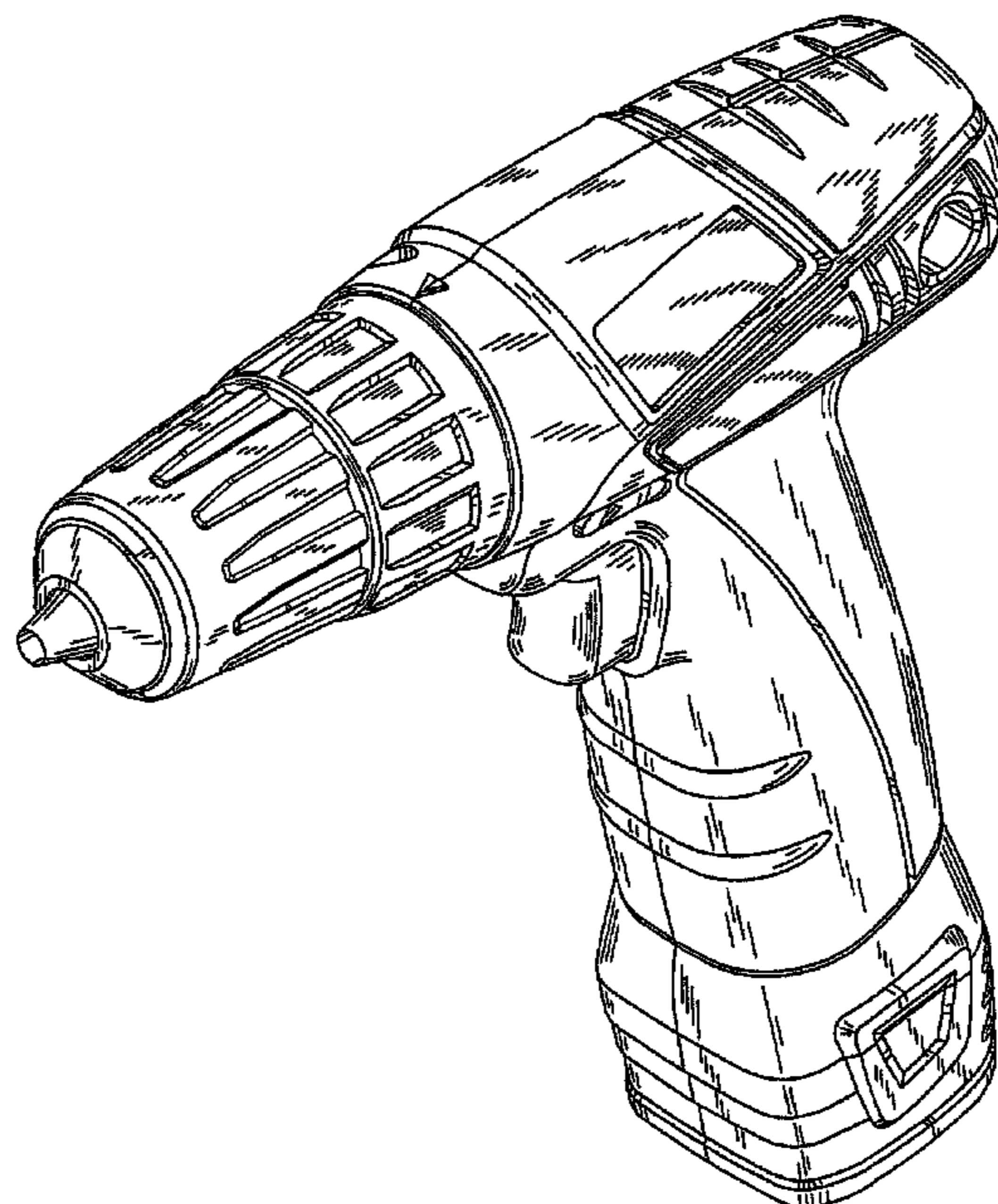
(57) **CLAIM**

The ornamental design for an electric handtool, as shown.

DESCRIPTION

FIG. 1 shows a perspective view of the present design.
FIG. 2 shows a right side elevational view of the present design.
FIG. 3 shows a top plan view of the present design.
FIG. 4 shows a front elevational view of the present design.
FIG. 5 shows a bottom plan view of the present design.
FIG. 6 shows a left side elevational view of the present design; and,
FIG. 7 shows a rear elevational view of the present design.

1 Claim, 5 Drawing Sheets



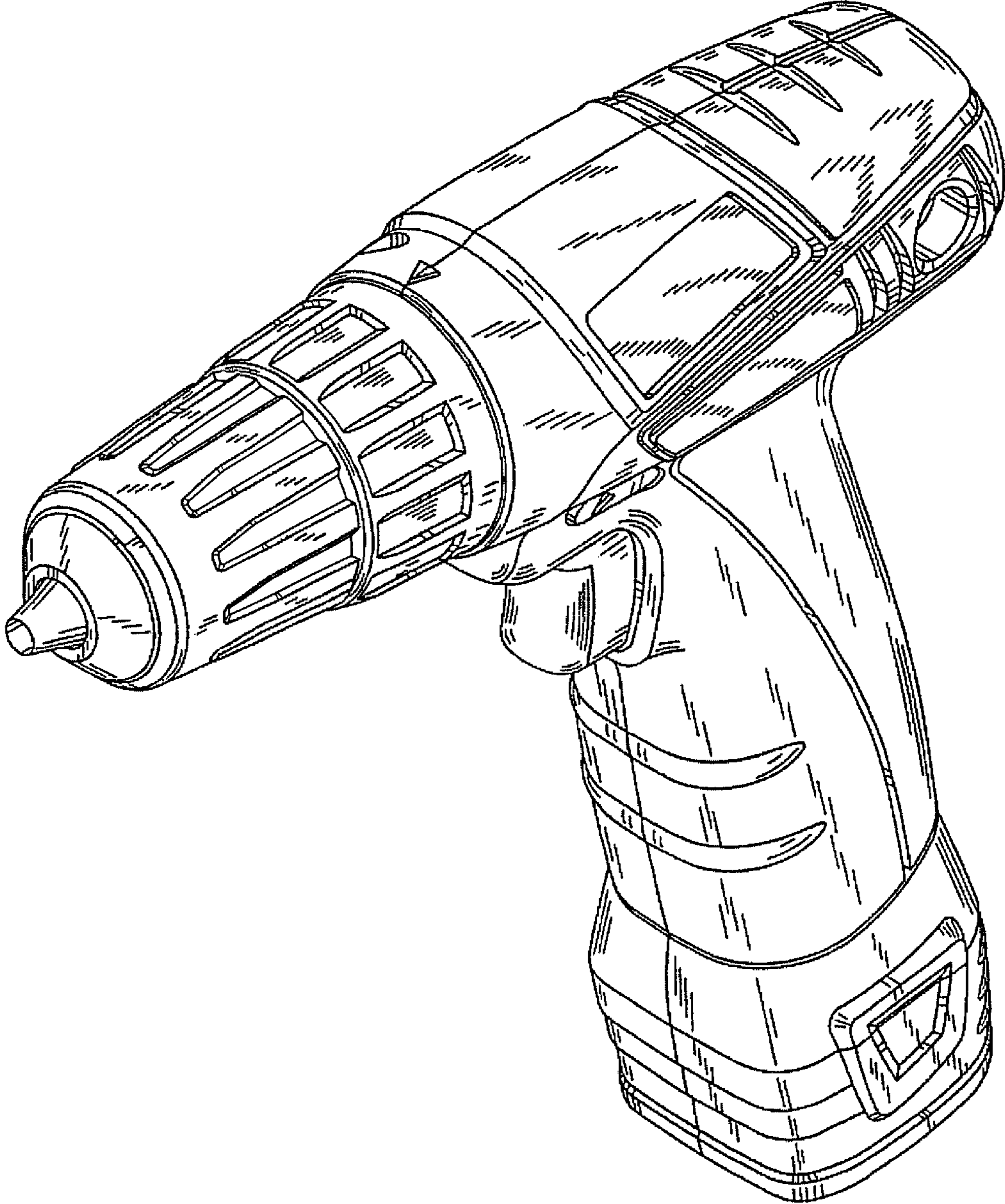


FIG. 1

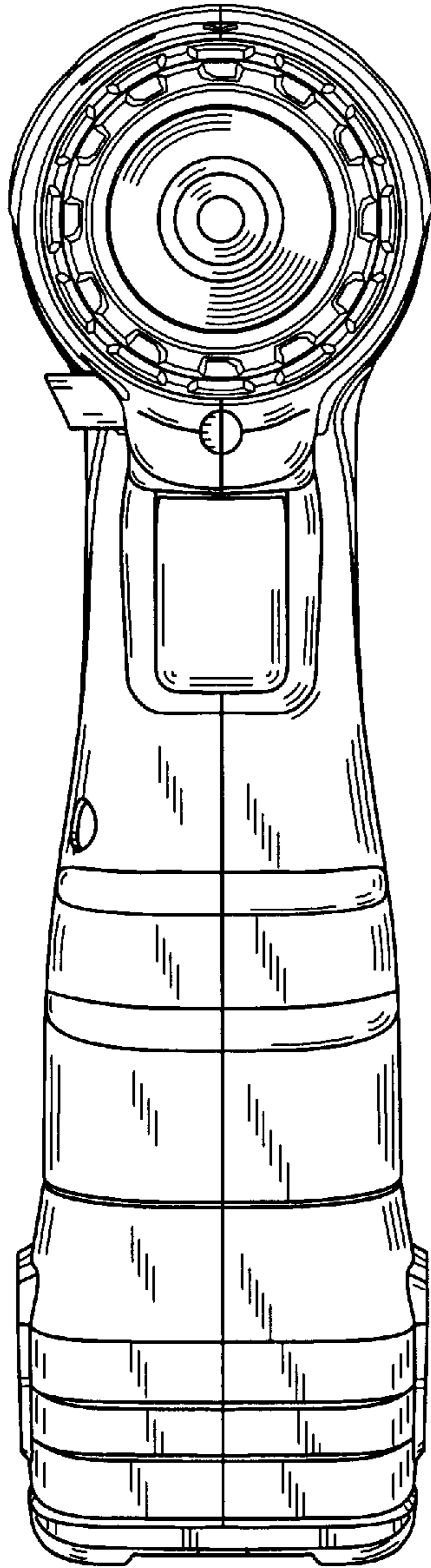


FIG. 6

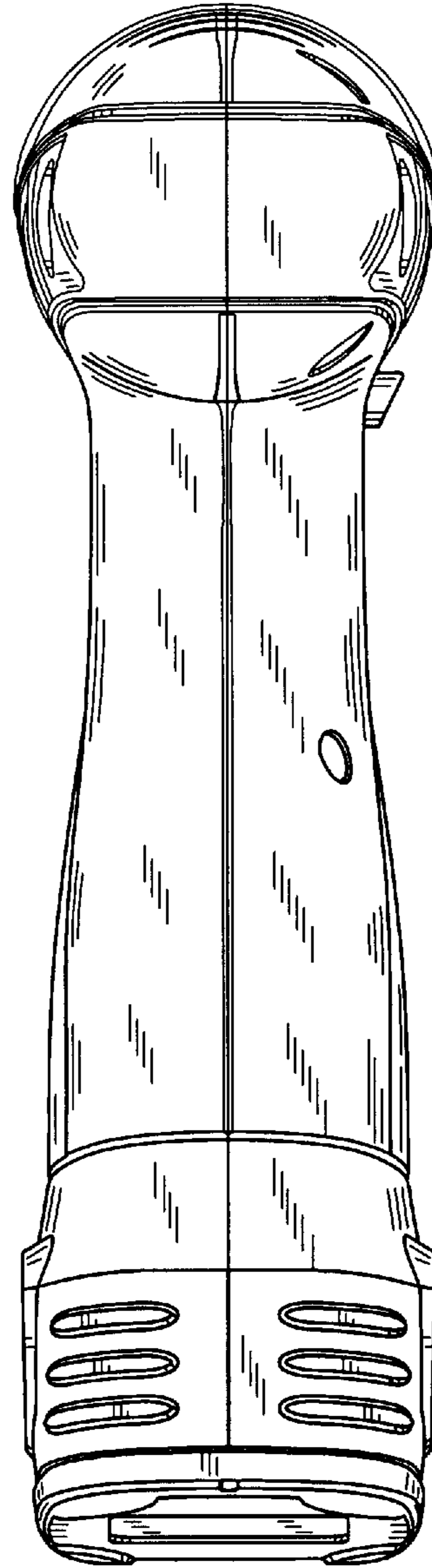


FIG. 2

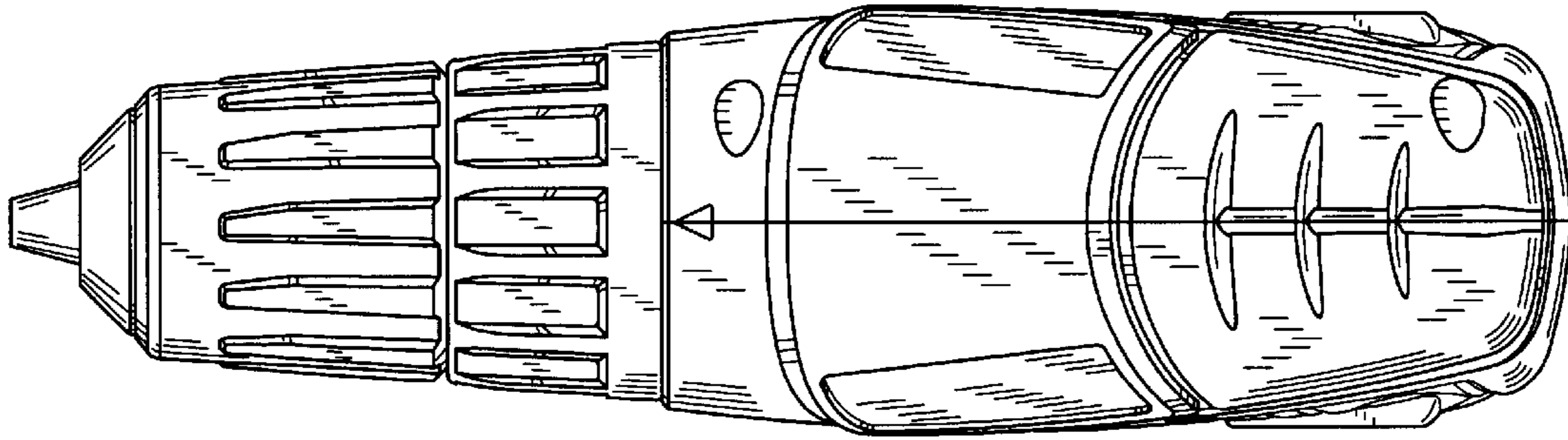


FIG. 3

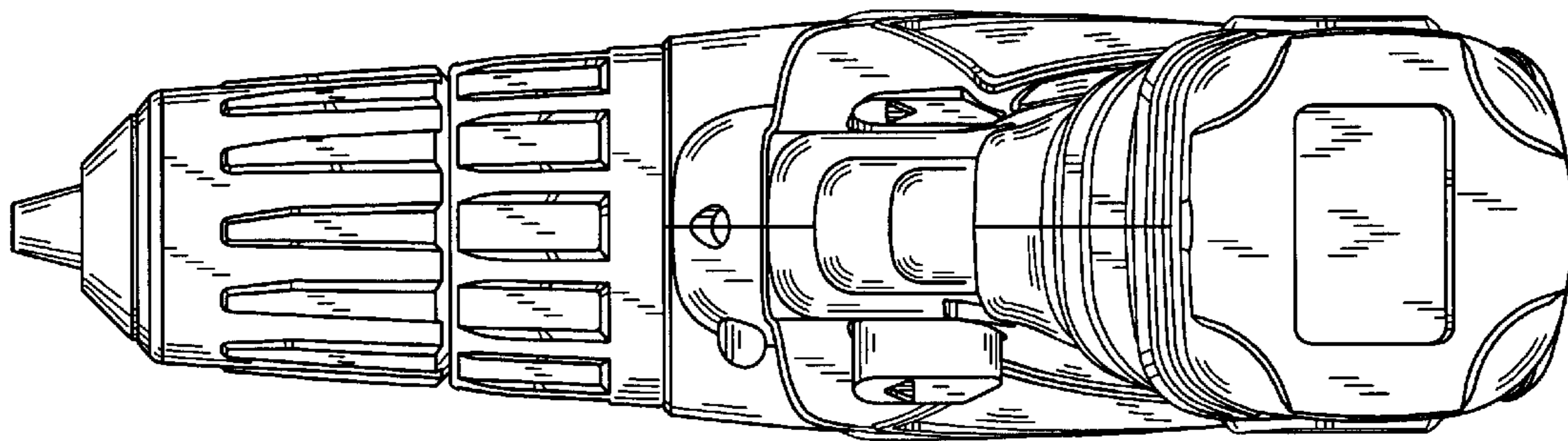


FIG. 5

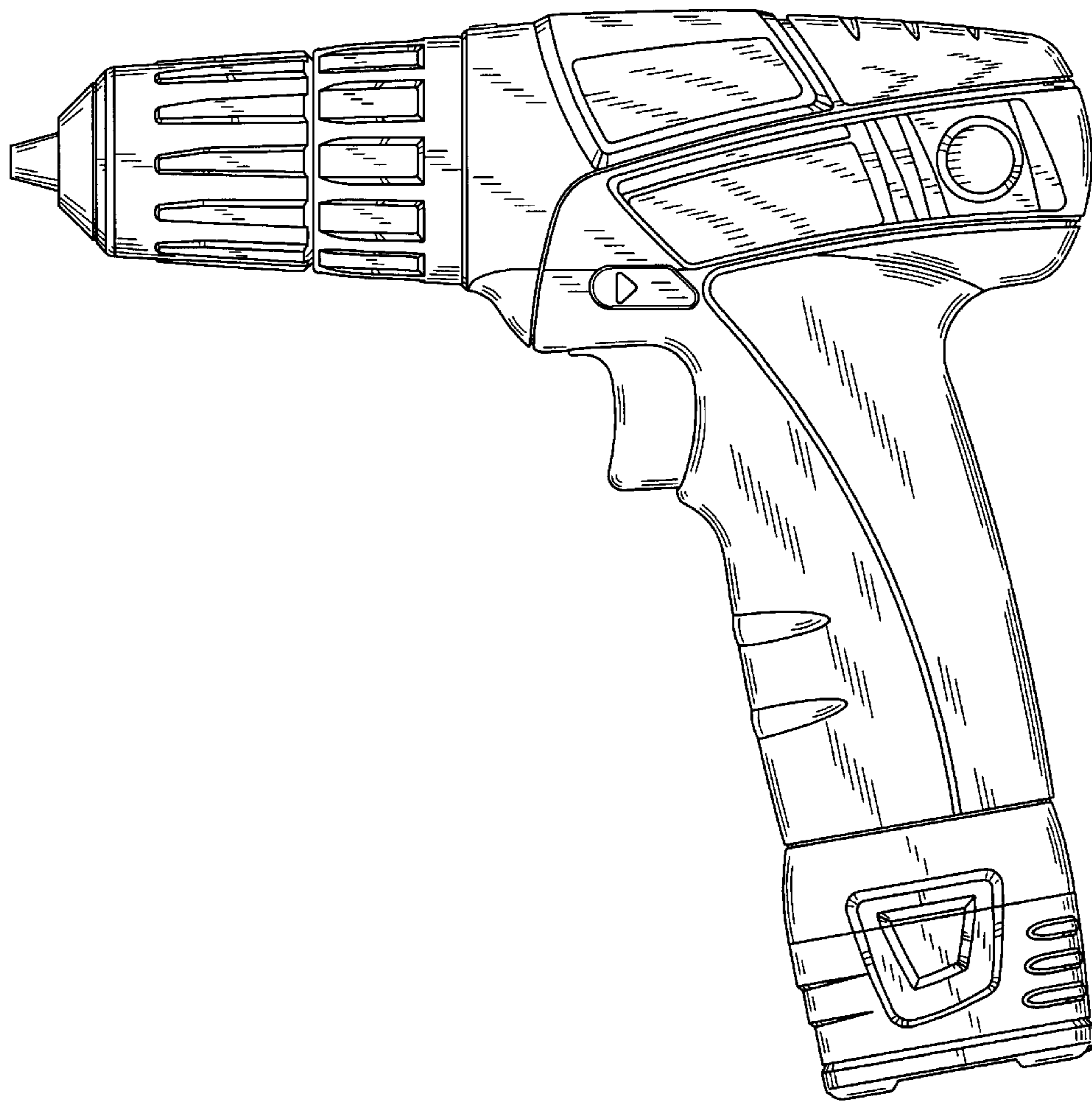


FIG. 4

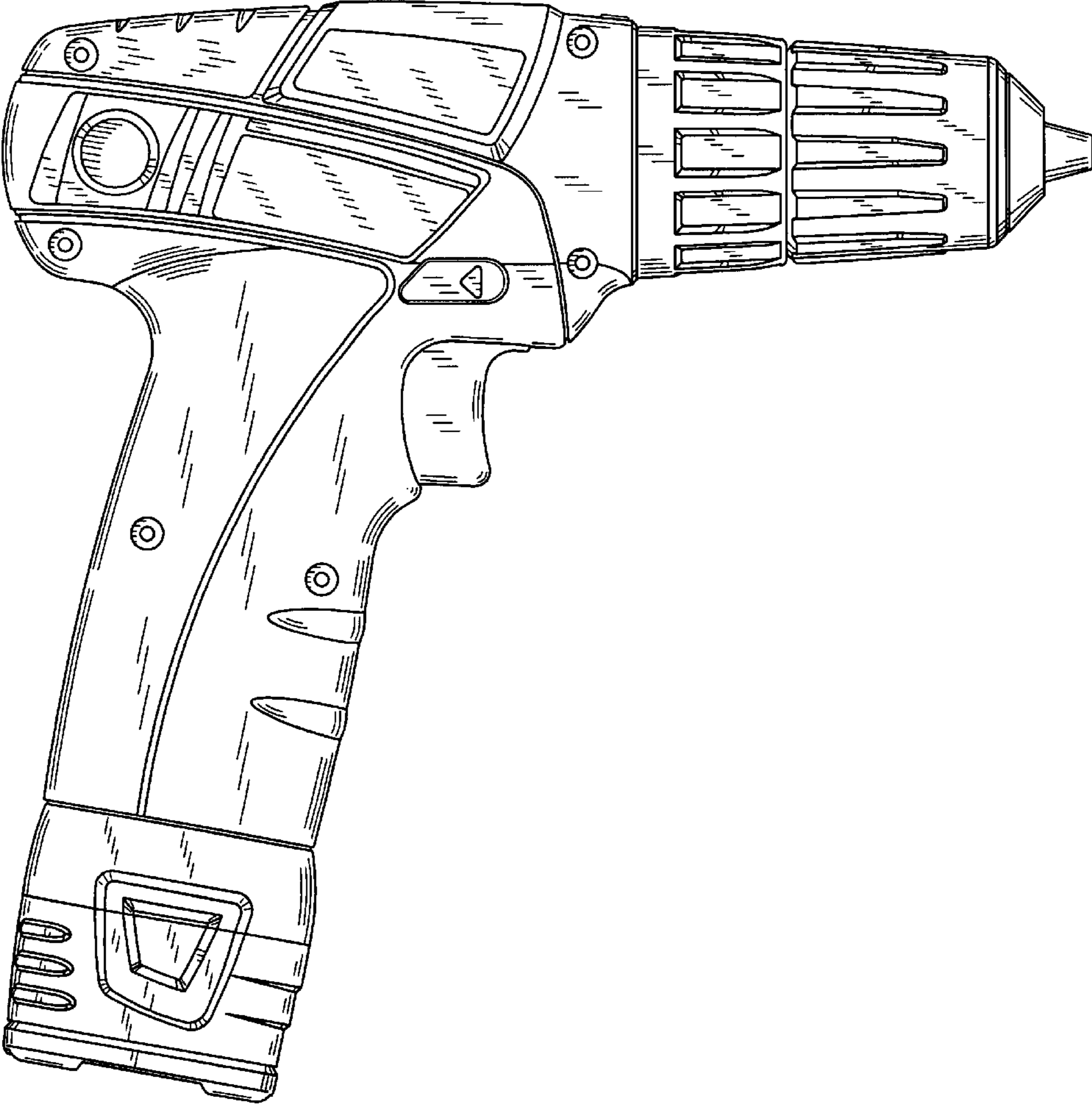


FIG. 7