



US00D536942S

(12) **United States Design Patent**
Cooper et al.

(10) **Patent No.:** **US D536,942 S**

(45) **Date of Patent:** **** Feb. 20, 2007**

(54) **SANDER**

(75) Inventors: **Betty L. Cooper**, Atwood, TN (US);
Ginger L. Allen, Medina, TN (US);
Gregory K. Griffin, Humdoldt, TN
(US); **Chad Hanson**, Jackson, TN
(US); **Mark A. Etter**, Independence,
MO (US)

(73) Assignee: **Black & Decker Inc.**, Newark, DE
(US)

(**) Term: **14 Years**

(21) Appl. No.: **29/253,568**

(22) Filed: **Feb. 8, 2006**

(51) **LOC (8) Cl.** **08-01**

(52) **U.S. Cl.** **D8/62**

(58) **Field of Classification Search** D8/67,
D8/62, 61; D32/15, 17, 19; D4/102; 451/456,
451/451, 359, 358, 357, 356, 355, 354, 353,
451/351, 344

See application file for complete search history.

(56) **References Cited**

U.S. PATENT DOCUMENTS

2,767,527	A	10/1956	Tocci-Guilbert	
2,885,833	A	5/1959	Neff	
3,936,099	A	2/1976	Braun et al.	
D286,736	S	11/1986	Somers	
D317,244	S	6/1991	Bunyea	
D323,963	S	2/1992	Bunyea	
D326,398	S	* 5/1992	Fushiya et al. D8/62
D329,362	S	9/1992	Saito et al.	
D332,734	S	* 1/1993	Fushiya et al. D4/102
5,206,967	A	5/1993	Fushiya et al.	
D345,089	S	3/1994	Kikuchi et al.	
D352,437	S	11/1994	Chunn et al.	
5,384,984	A	1/1995	Smith	
5,419,737	A	* 5/1995	Brazell et al. 451/453
D376,304	S	12/1996	Clowers	
D380,950	S	7/1997	Gildersleeve et al.	
D386,376	S	11/1997	Kaneko et al.	
D392,861	S	3/1998	Gildersleeve et al.	

D408,245	S	4/1999	Evans et al.	
5,941,765	A	8/1999	Taylor	
D448,262	S	9/2001	Heun	
6,394,884	B1	5/2002	Wuensch	
D468,178	S	1/2003	Wright et al.	
D468,608	S	1/2003	Wacker et al.	
D469,933	S	* 2/2003	Liang-Ming D32/15
D476,543	S	7/2003	Wu	
D478,488	S	8/2003	Bruno et al.	
D488,365	S	4/2004	Liu	
6,726,553	B2	4/2004	Tiede et al.	
6,758,731	B2	7/2004	Dutterer et al.	
D497,090	S	* 10/2004	Wacker et al. D8/62
D497,297	S	10/2004	Wacker et al.	
D498,399	S	11/2004	Wu	
D503,600	S	4/2005	Bian	
6,890,247	B2	5/2005	Dehde	
D507,731	S	7/2005	Robson	
D509,417	S	9/2005	Wikle et al.	
D509,722	S	9/2005	Wikle et al.	
D510,849	S	10/2005	Carlson et al.	
2002/0037691	A1	3/2002	Mayr et al.	
2003/0032381	A1	2/2003	Dutterer et al.	
2005/0003748	A1	1/2005	Dutterer et al.	

* cited by examiner

Primary Examiner—Cathron C. Brooks

Assistant Examiner—Austin Murphy

(74) *Attorney, Agent, or Firm*—Joseph F. Key

(57) **CLAIM**

The ornamental design for a sander, as shown and described.

DESCRIPTION

FIG. 1 is a perspective view of a sander.

FIG. 2 is a front view thereof.

FIG. 3 is a rear view thereof.

FIG. 4 is a right side view thereof.

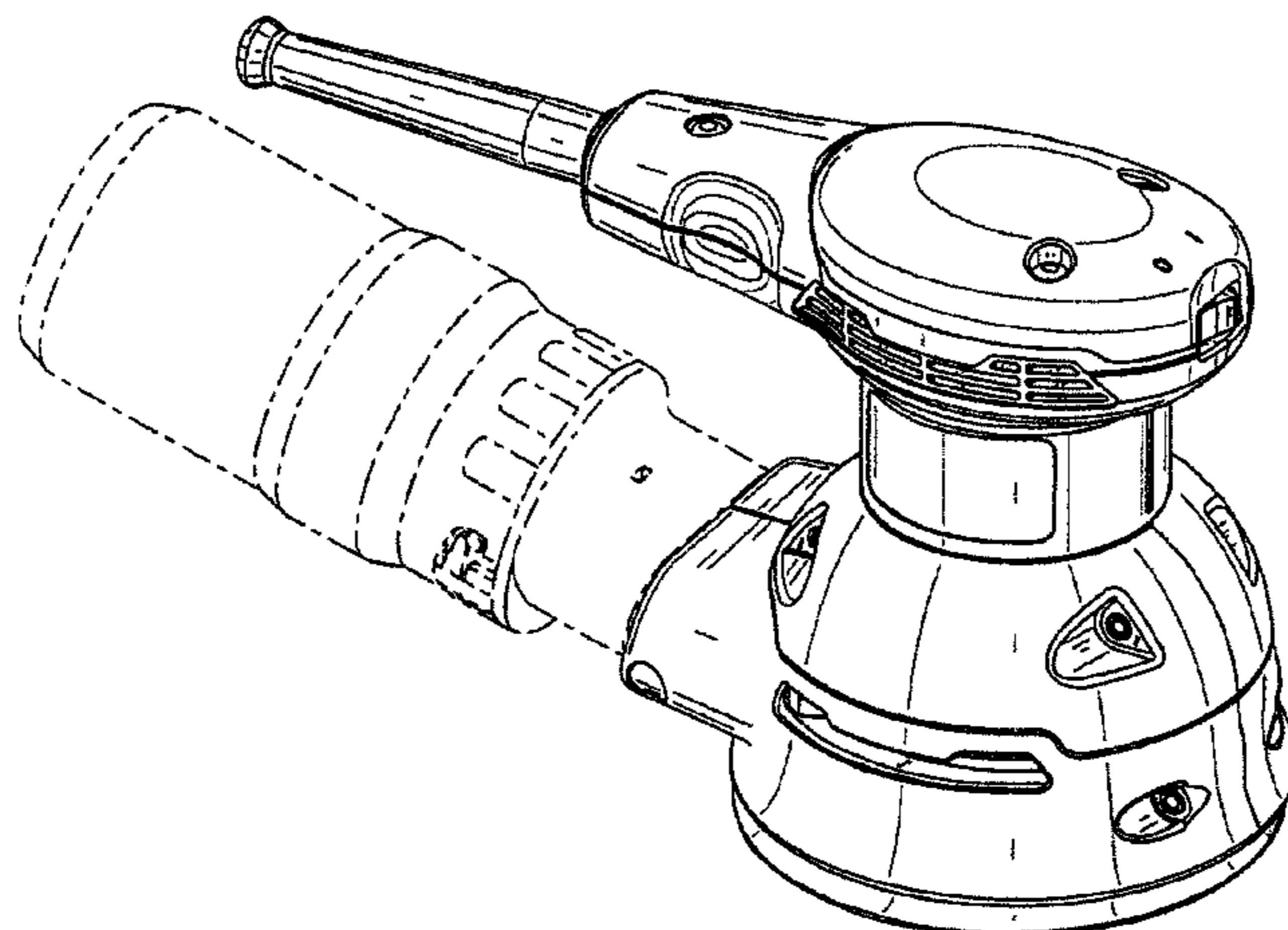
FIG. 5 is a left side view thereof.

FIG. 6 is top view thereof; and,

FIG. 7 is a bottom view thereof.

Any broken lines in the drawings are for illustrative purposes only and form no part of the claimed design.

1 Claim, 6 Drawing Sheets



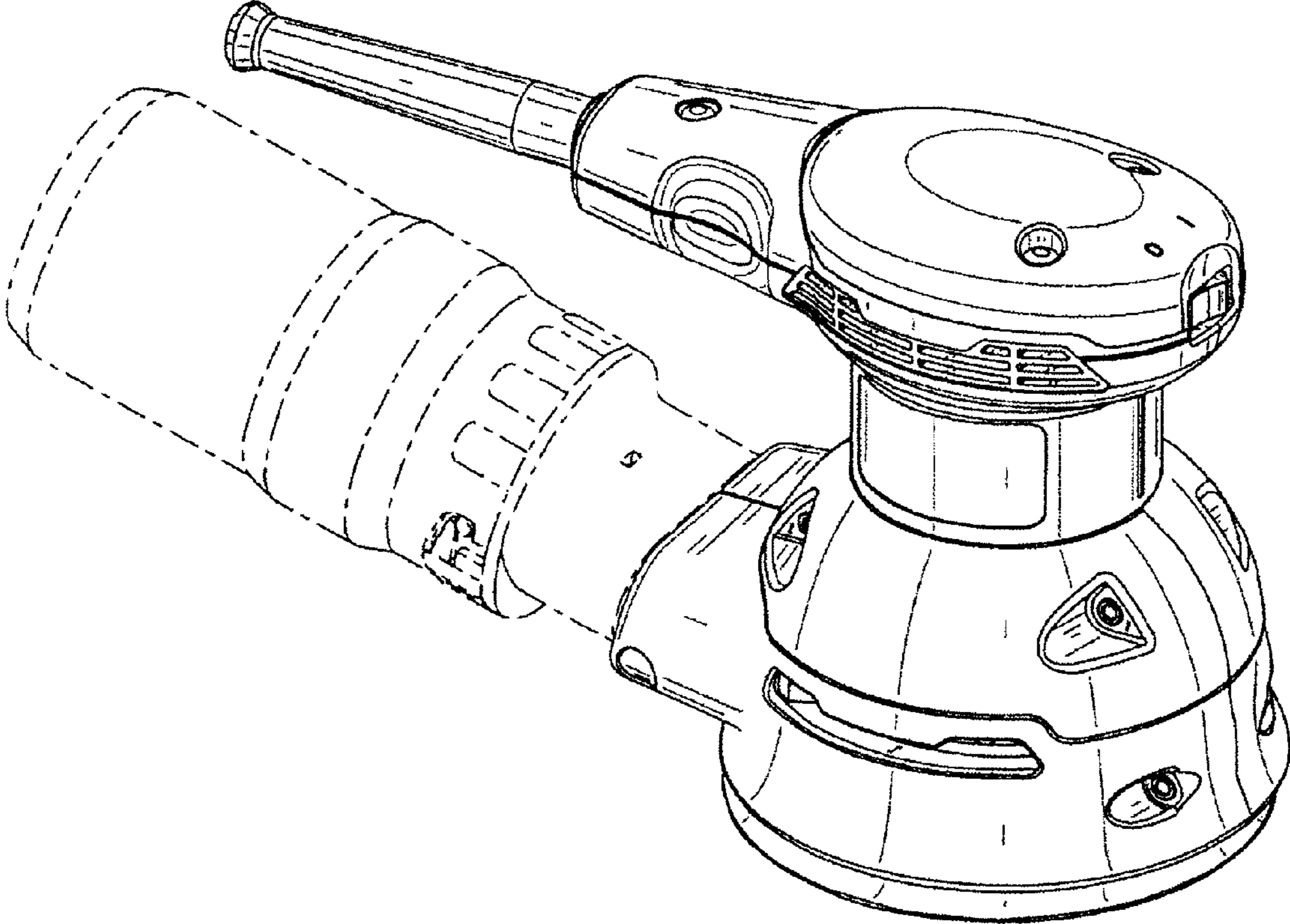


FIG. 1

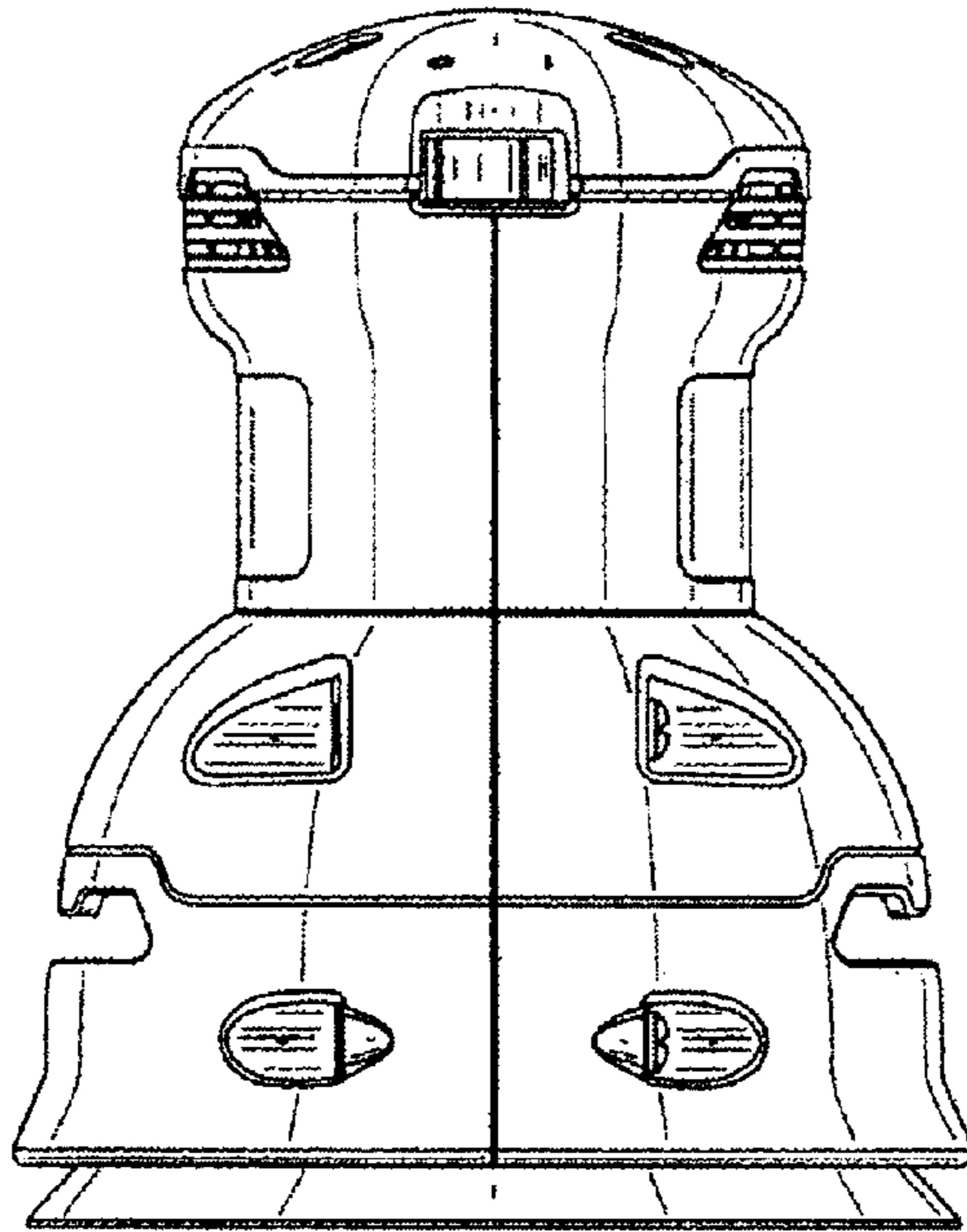


FIG. 2

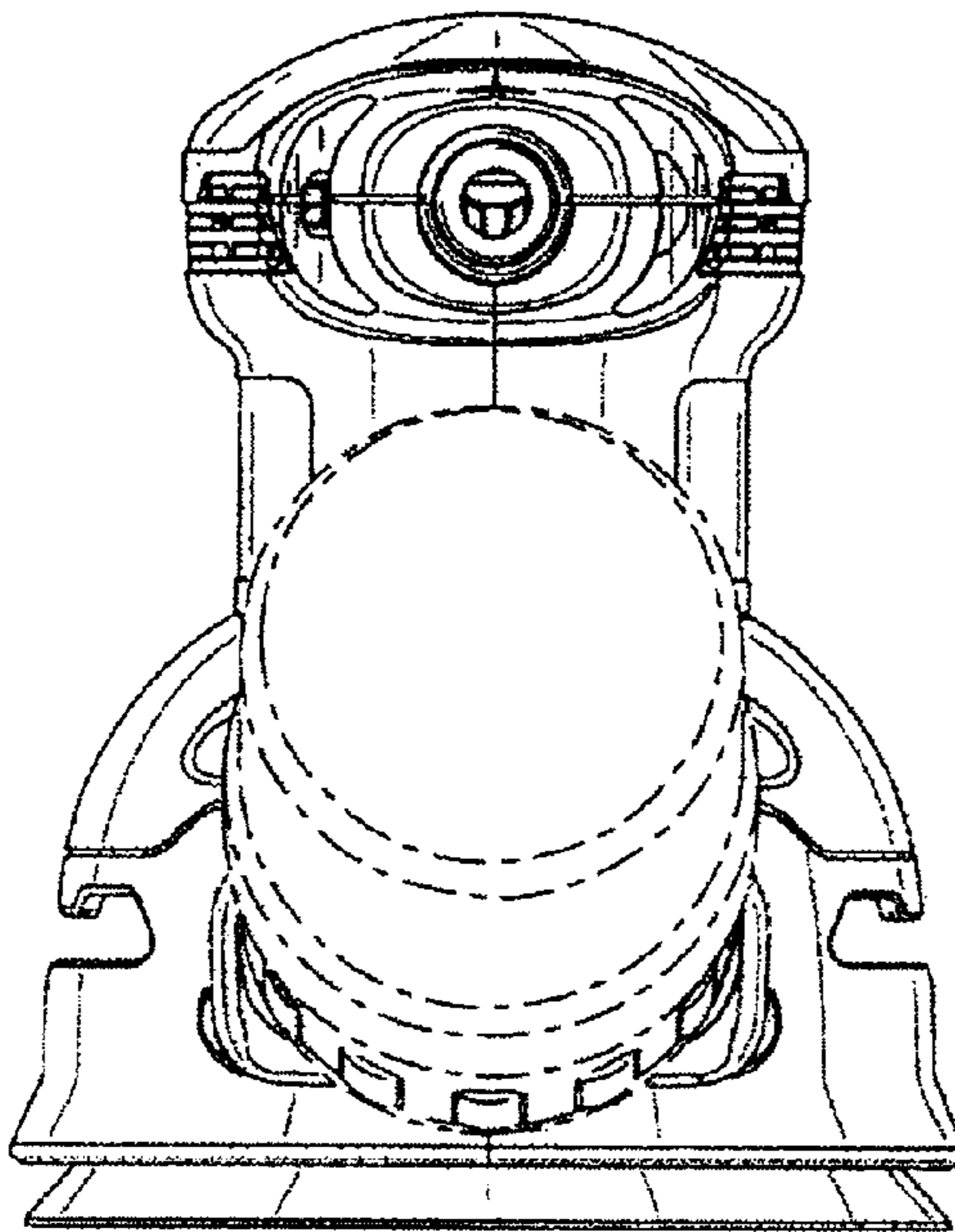


FIG. 3

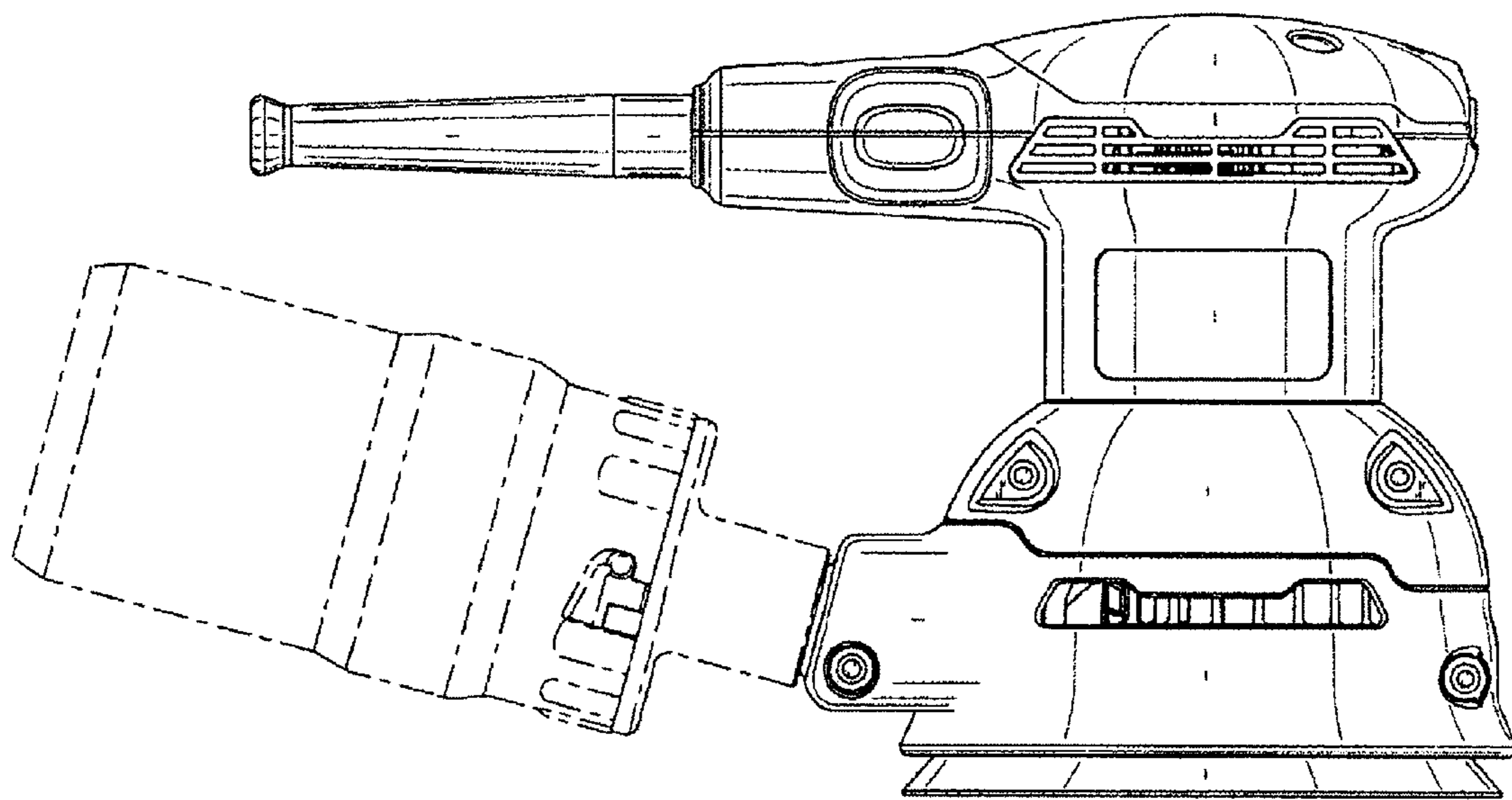


FIG. 4

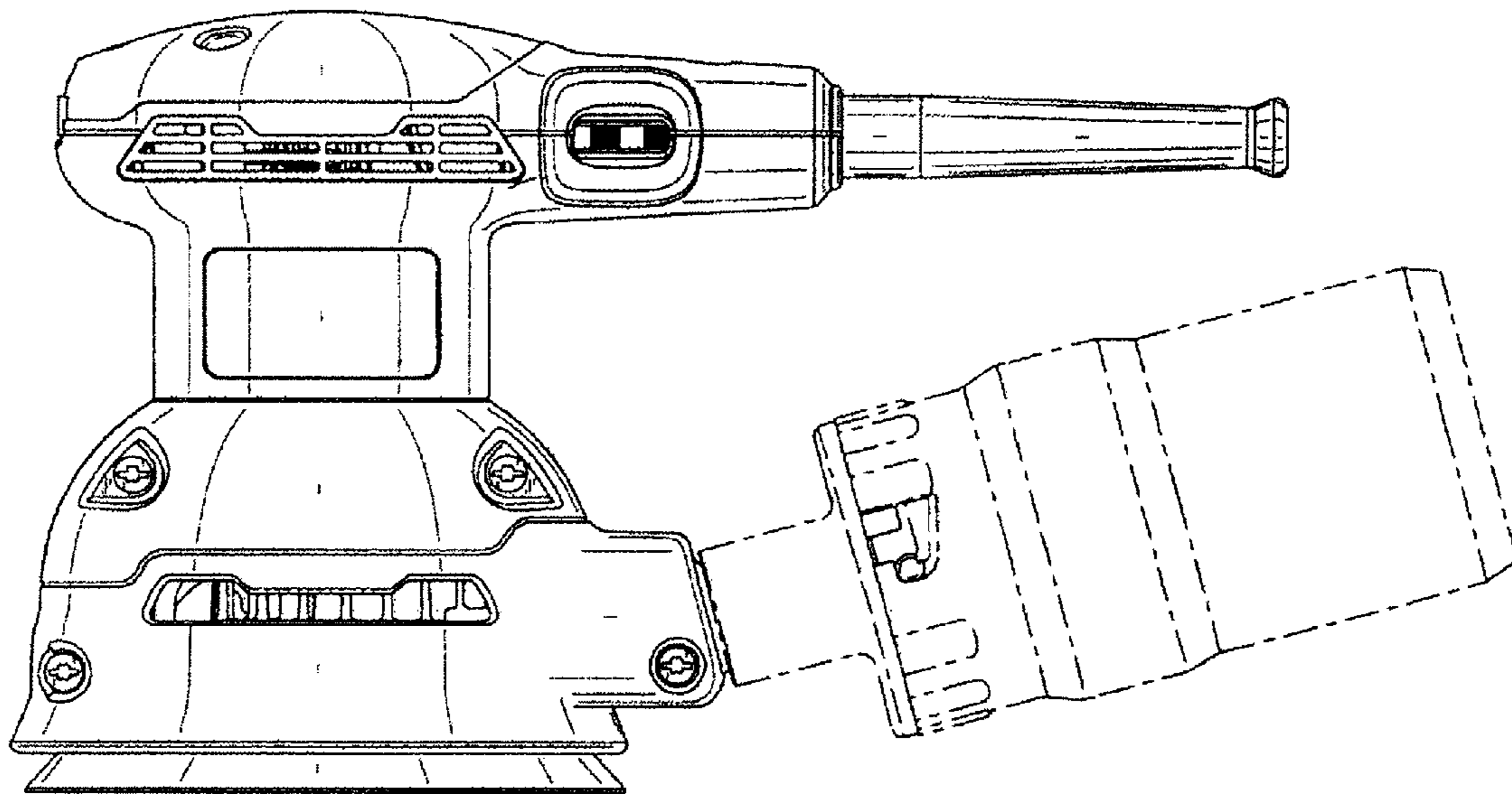


FIG. 5

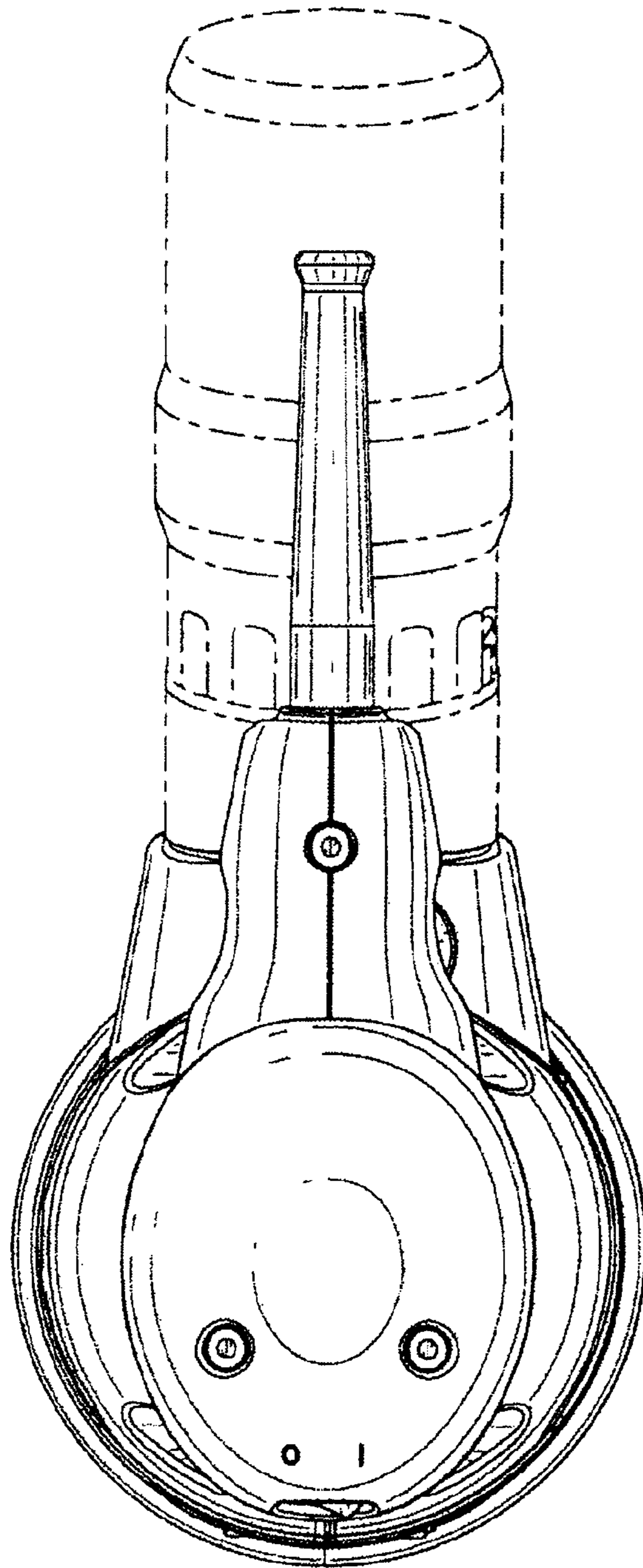


FIG. 6

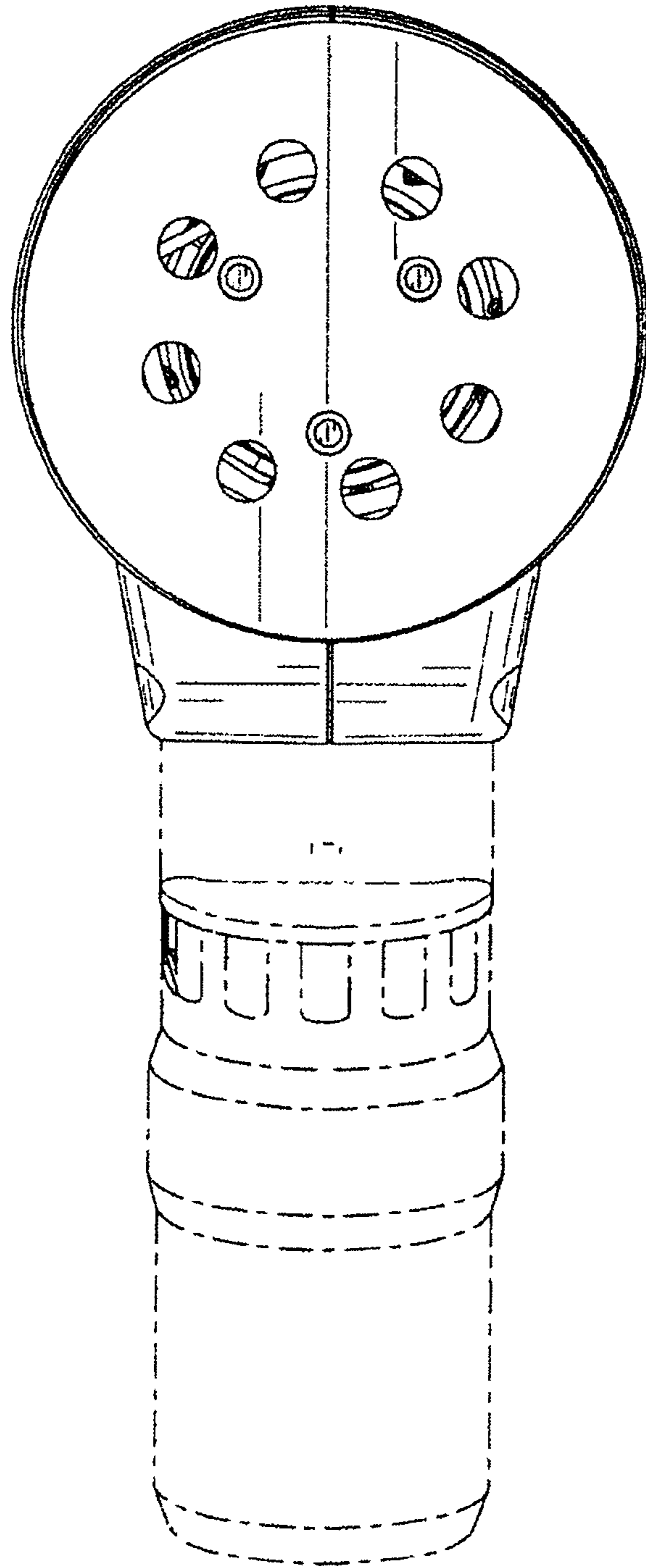


FIG. 7