



US00D536936S

(12) **United States Design Patent**
Tiemann

(10) **Patent No.:** **US D536,936 S**

(45) **Date of Patent:** **** Feb. 20, 2007**

(54) **SINGLE CUP BEVERAGE CONTAINER
HOLDER**

(75) **Inventor:** **Frank R. Tiemann**, Madison Lake,
MN (US)

(73) **Assignee:** **Nifty Home Products, Inc.**, Madison
Lake, MN (US)

(**) **Term:** **14 Years**

(21) **Appl. No.:** **29/251,253**

(22) **Filed:** **Jan. 5, 2006**

(51) **LOC (8) Cl.** **07-06**

(52) **U.S. Cl.** **D7/704**

(58) **Field of Classification Search** D7/701-708,
D7/600.1-600.4; D6/462-469; 211/71.01,
211/70.6, 70.7, 77, 78, 74, 85.31, 181.1, 119.12,
211/128.1, 133.2

See application file for complete search history.

(56) **References Cited**

U.S. PATENT DOCUMENTS

1,448,259 A * 3/1923 Cook D7/704

2,140,743 A * 12/1938 Heymann 211/74
D165,303 S * 11/1951 Rogers D7/706
D403,212 S * 12/1998 Doret, Jr. D7/600.2
D444,359 S * 7/2001 Levy D7/704
D467,127 S * 12/2002 Wright D7/601

* cited by examiner

Primary Examiner—Terry A. Wallace

(74) *Attorney, Agent, or Firm*—Nikolai & Mersereau, P.A.;
Thomas J. Nikolai

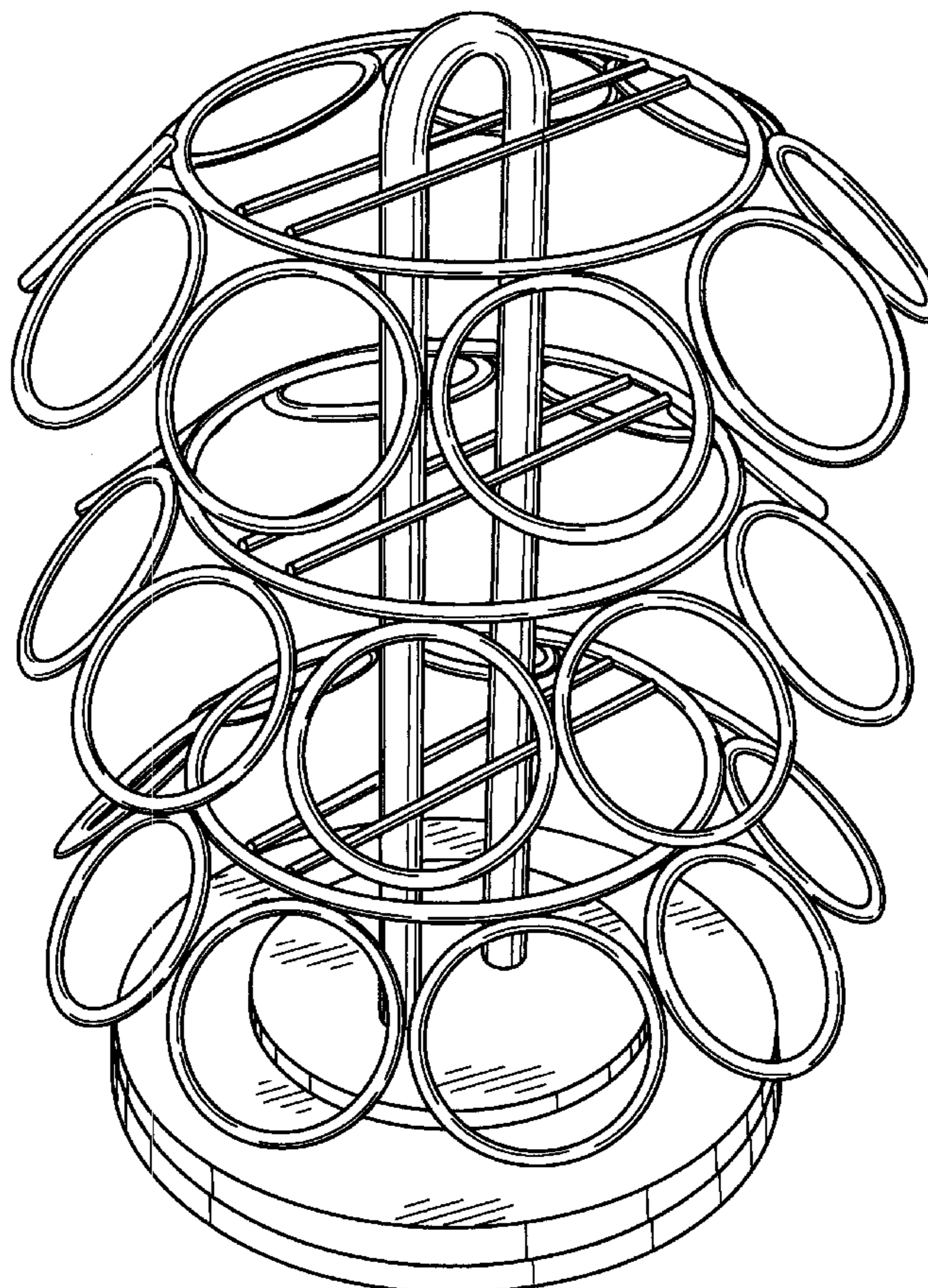
(57) **CLAIM**

The ornamental design for a “single cup beverage container holder,” as shown and described.

DESCRIPTION

FIG. 1 is a perspective view of the single cup beverage container holder showing my new design;
FIG. 2 is a bottom plan view thereof;
FIG. 3. is a side elevational view thereof; and,
FIG. 4 is a top plan view thereof.

1 Claim, 4 Drawing Sheets



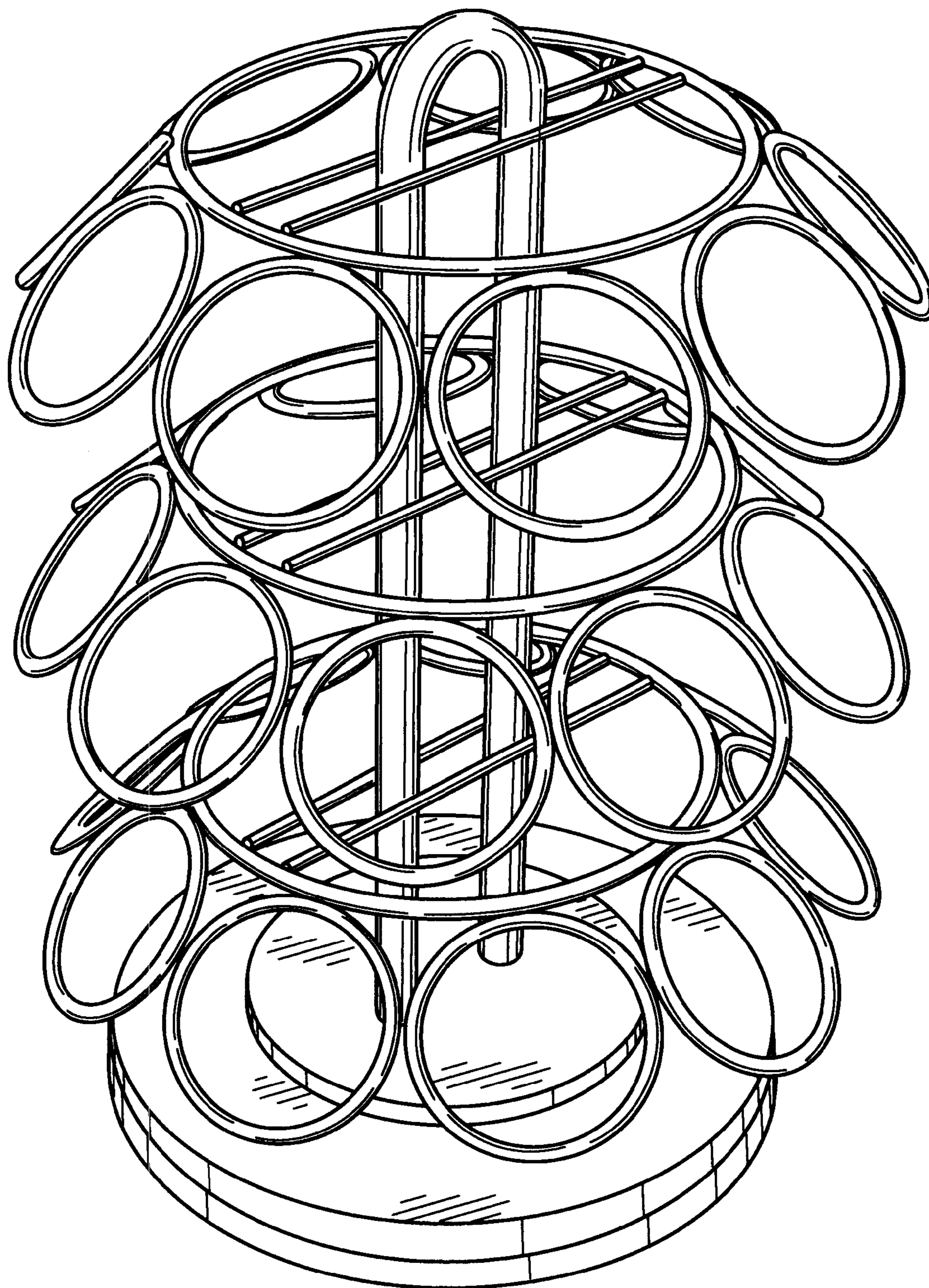


FIG. 1

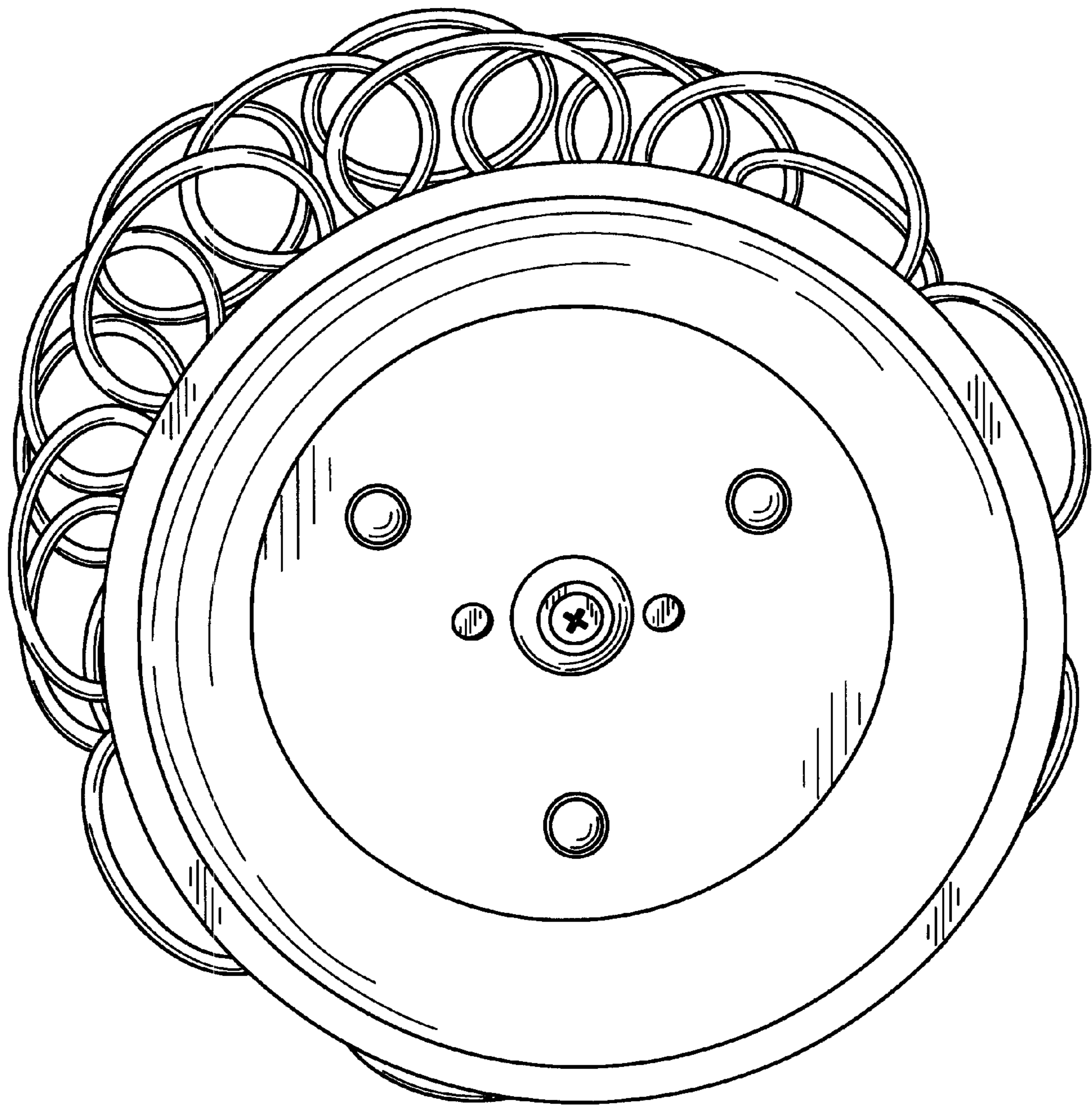


FIG. 2

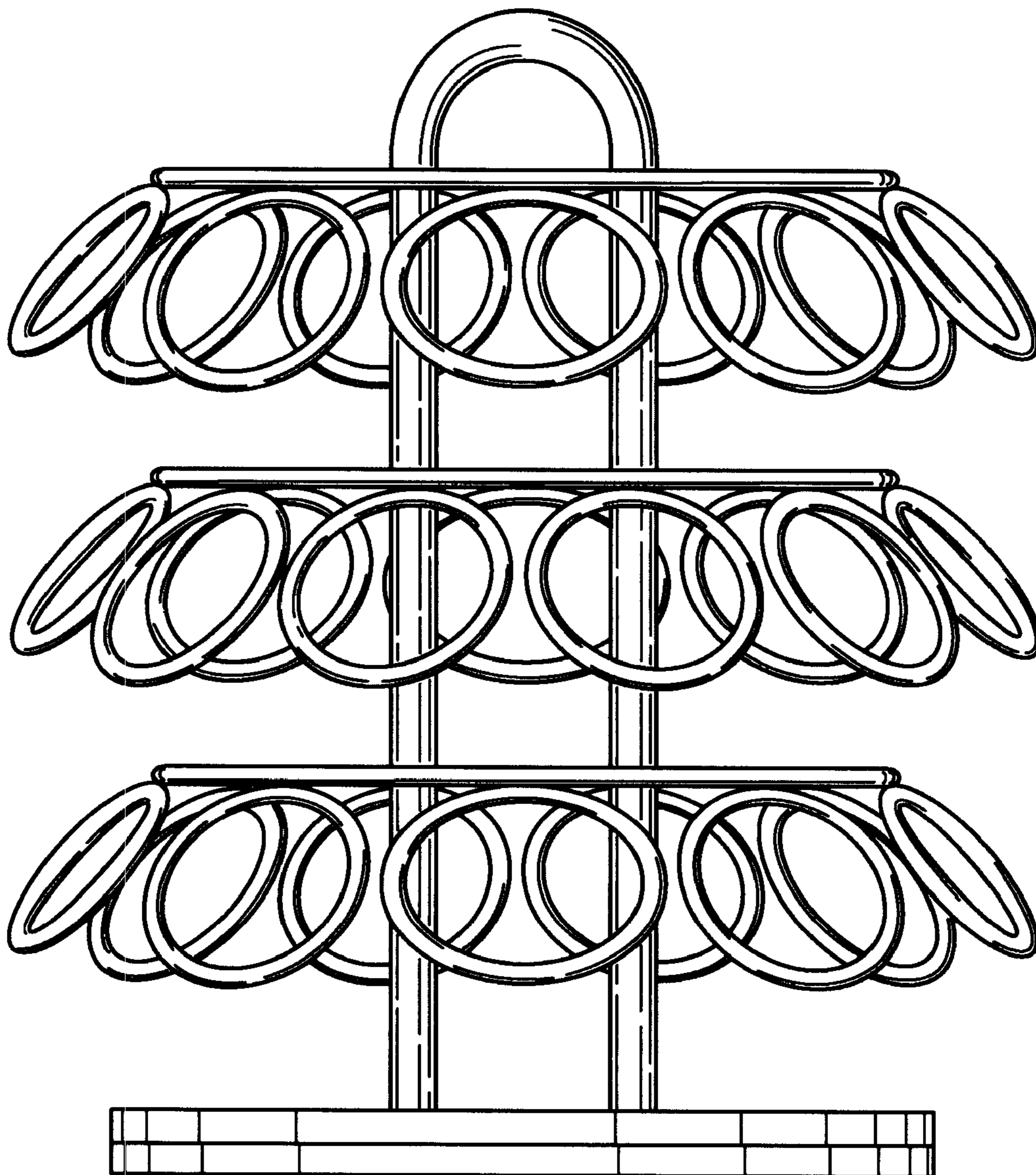


FIG. 3

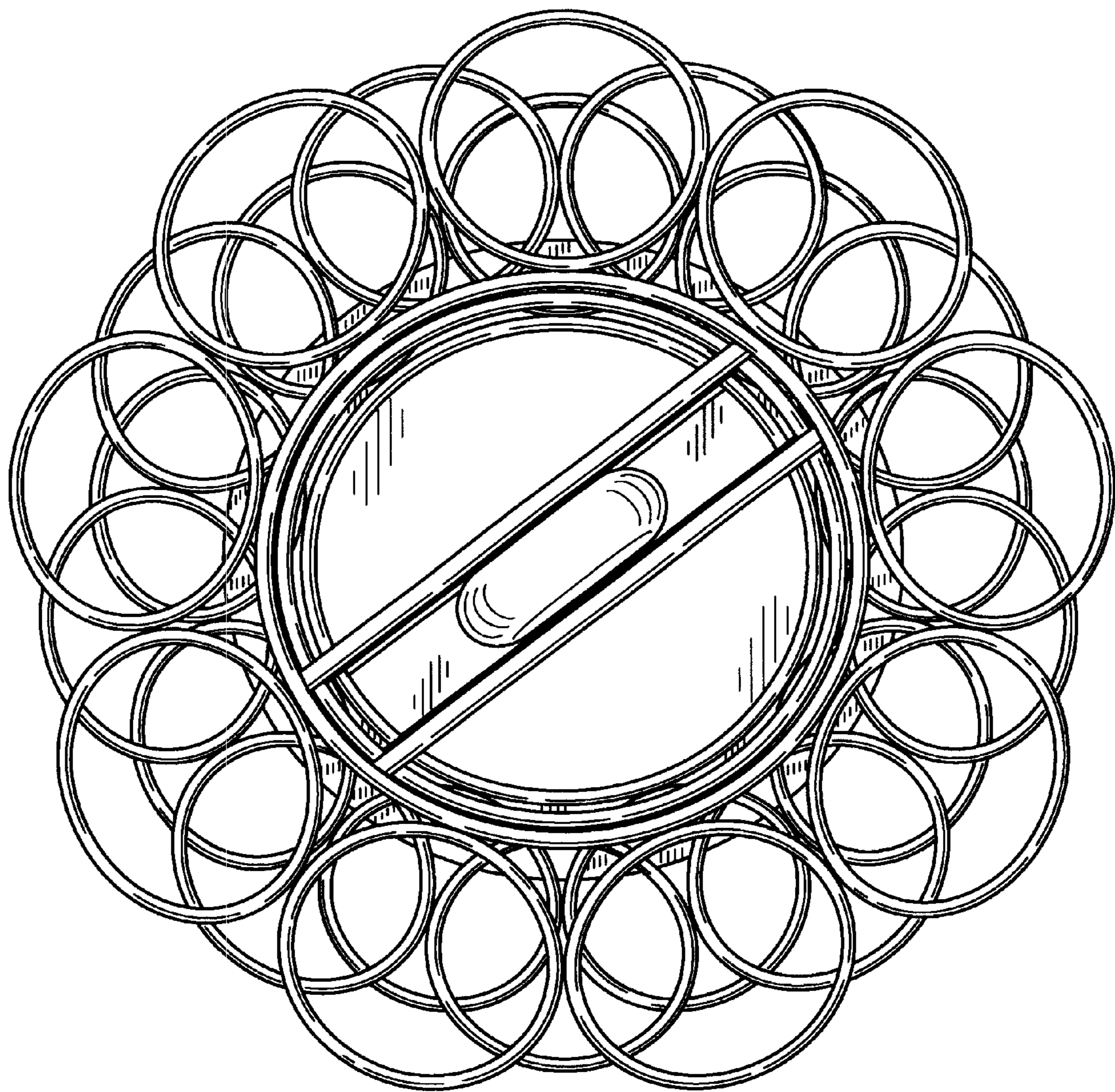


FIG. 4