



US00D536935S

(12) **United States Design Patent**
Darvishi

(10) **Patent No.:** **US D536,935 S**

(45) **Date of Patent:** **** Feb. 20, 2007**

(54) **FOOD TEMPLATE**

(74) *Attorney, Agent, or Firm*—Chase Law Firm, L.C.

(76) **Inventor:** **Alex R. Darvishi**, P.O. Box 1451,
Westerville, OH (US) 43086-1451

(57) **CLAIM**

(**) **Term:** **14 Years**

The ornamental design for a food template, as shown and described.

(21) **Appl. No.:** **29/238,266**

DESCRIPTION

(22) **Filed:** **Sep. 13, 2005**

(51) **LOC (8) Cl.** **07-02**

FIG. 1 is a front view of my food template showing my new design;

(52) **U.S. Cl.** **D7/672**

FIG. 2 is a left side view of my food template as shown in FIG. 1 showing my new design;

(58) **Field of Classification Search** D7/672-675,
D7/677, 387, 213, 354; D19/59; 99/428,
99/426, 439

FIG. 3 is an opposite side view of my food template as shown in FIG. 2 showing my new design;

See application file for complete search history.

FIG. 4 is a back view, on a reduced scale, of the food template;

(56) **References Cited**

U.S. PATENT DOCUMENTS

D242,677 S	*	12/1976	Milligan	D7/672
D253,332 S	*	11/1979	Rich	D7/672
D257,817 S	*	1/1981	Young	D7/675
D421,203 S	*	2/2000	Darvishi	D7/672
D489,230 S		5/2004	Darvishi		

FIG. 5 is a top view of my food template showing my new design;

OTHER PUBLICATIONS

Chef's Catalog, p. 50. mold C.*

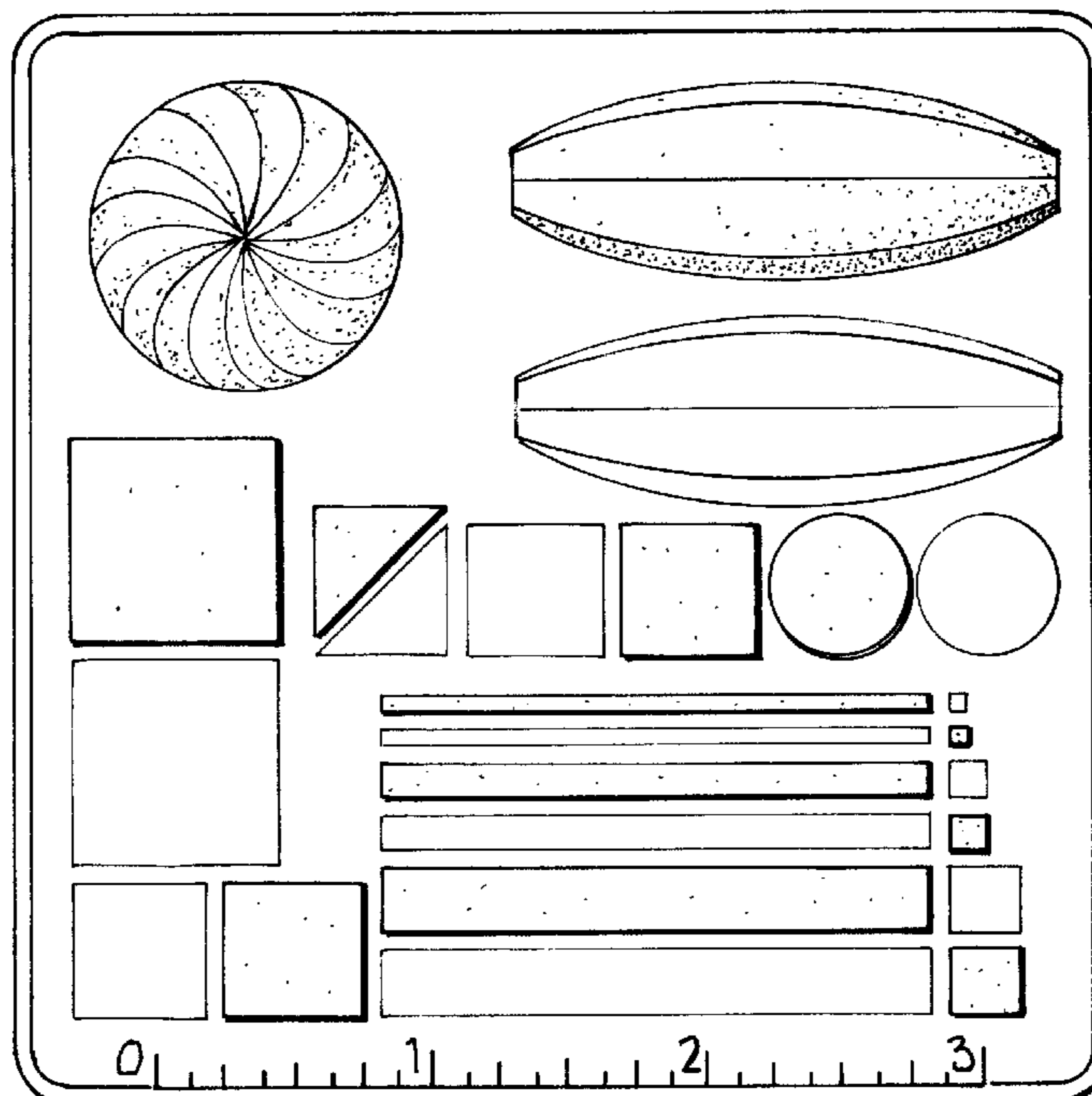
FIG. 6 is a bottom view of my food template showing my new design; and,

* cited by examiner

FIG. 7 is a perspective view of my food template showing my new design.

Primary Examiner—Terry A. Wallace

1 Claim, 2 Drawing Sheets



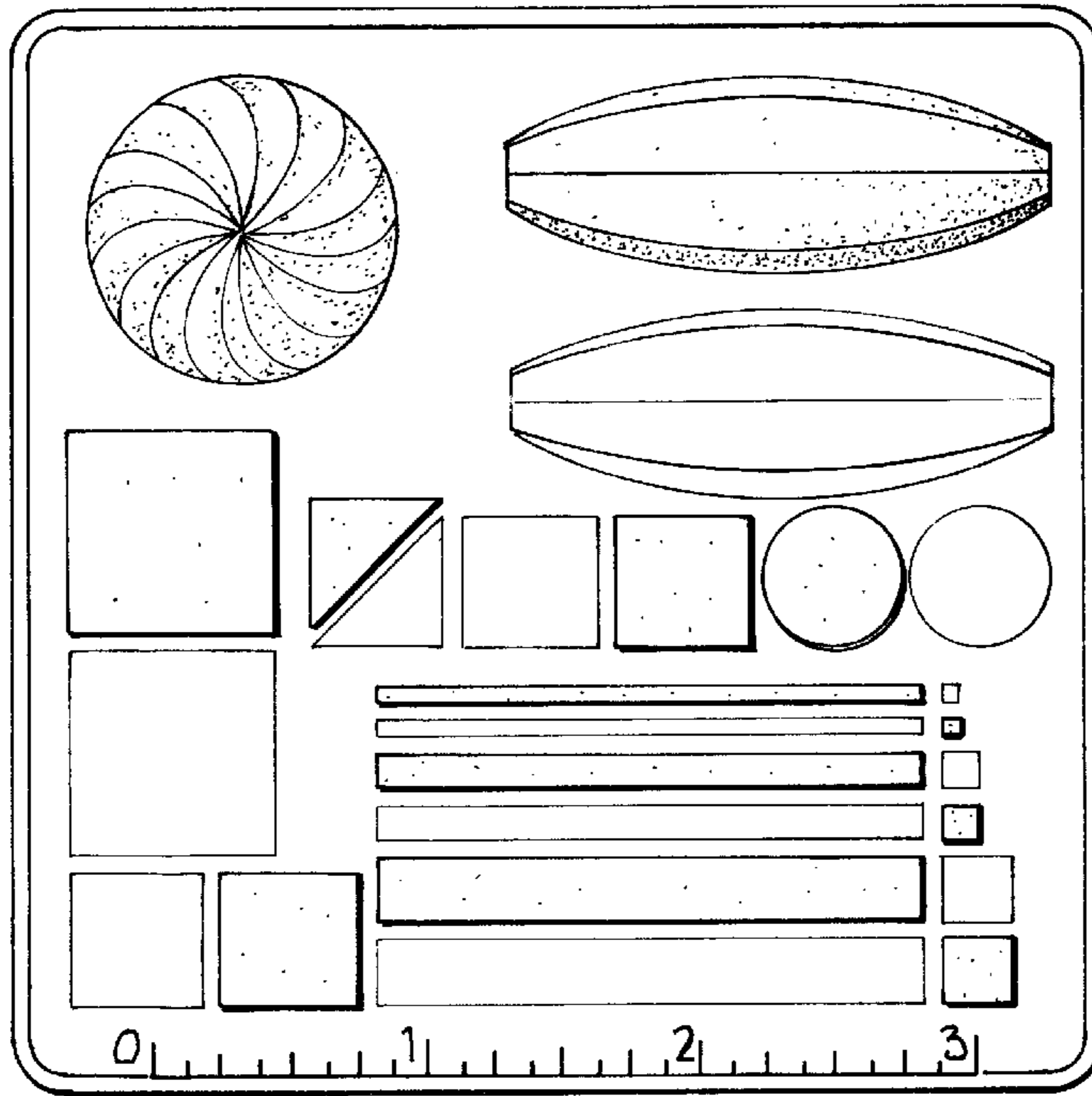


Fig. 1

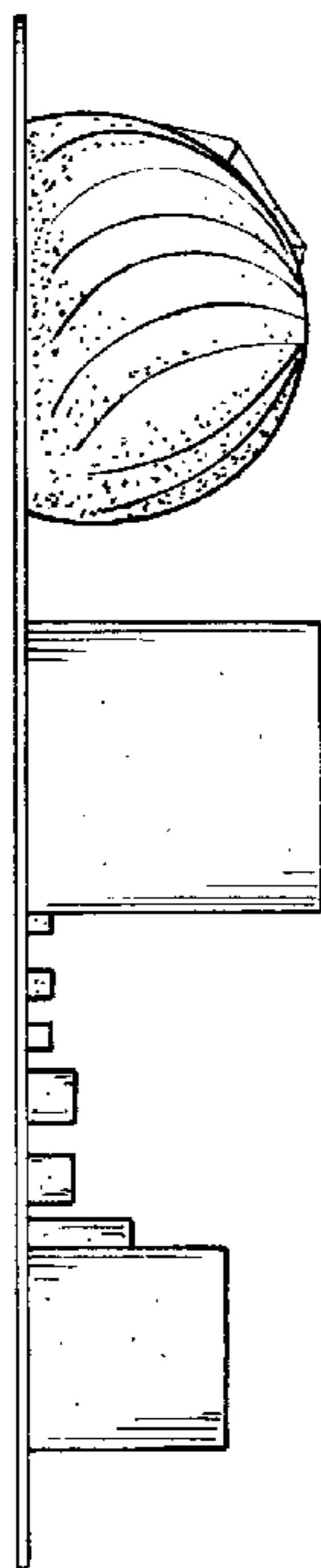


Fig. 2

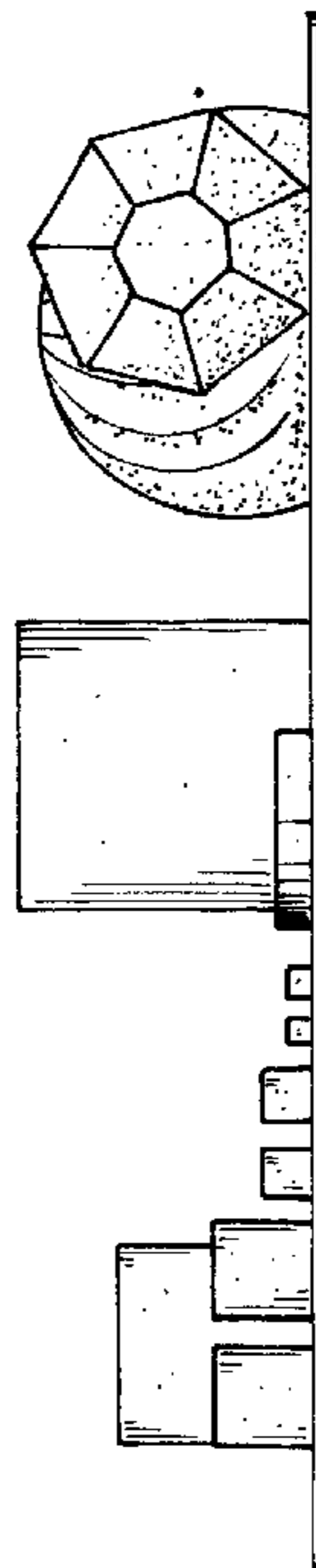


Fig. 3

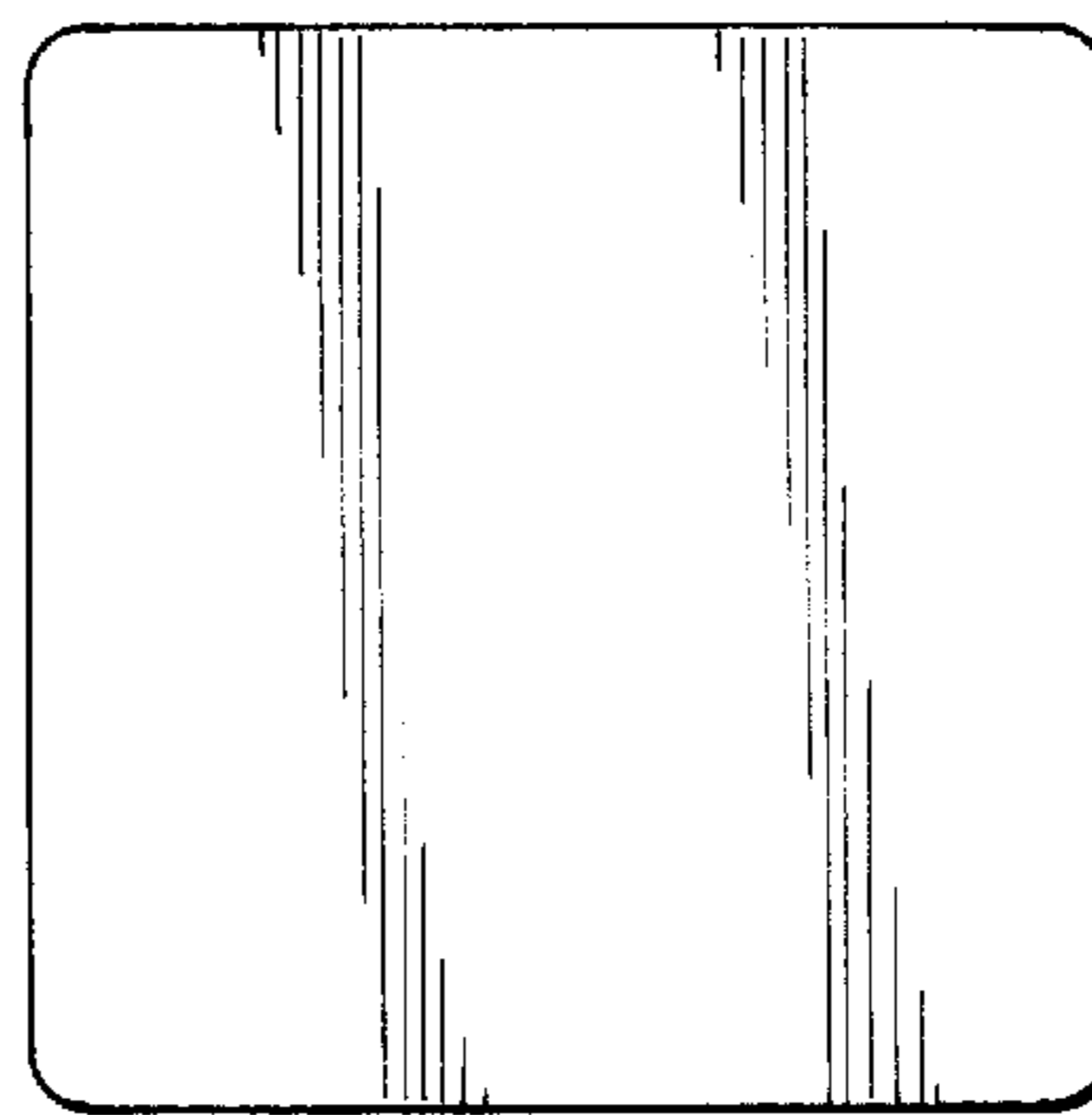


Fig. 4

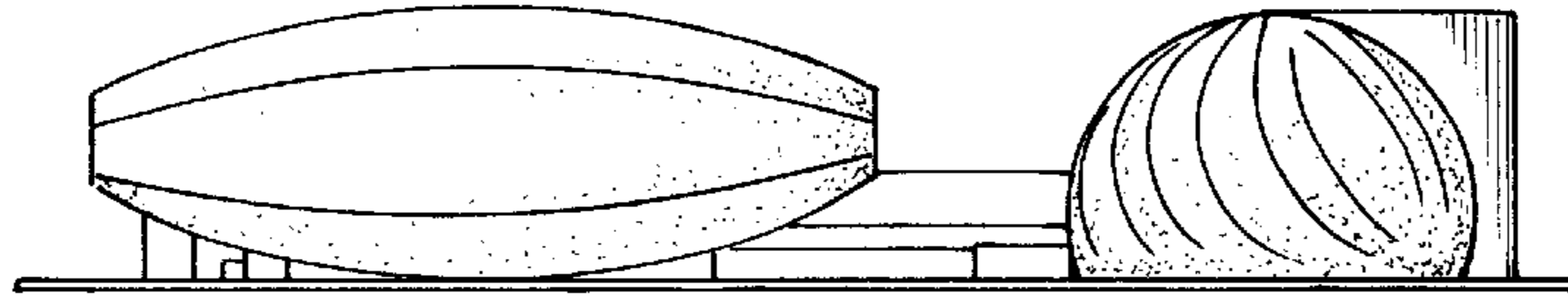


Fig. 5

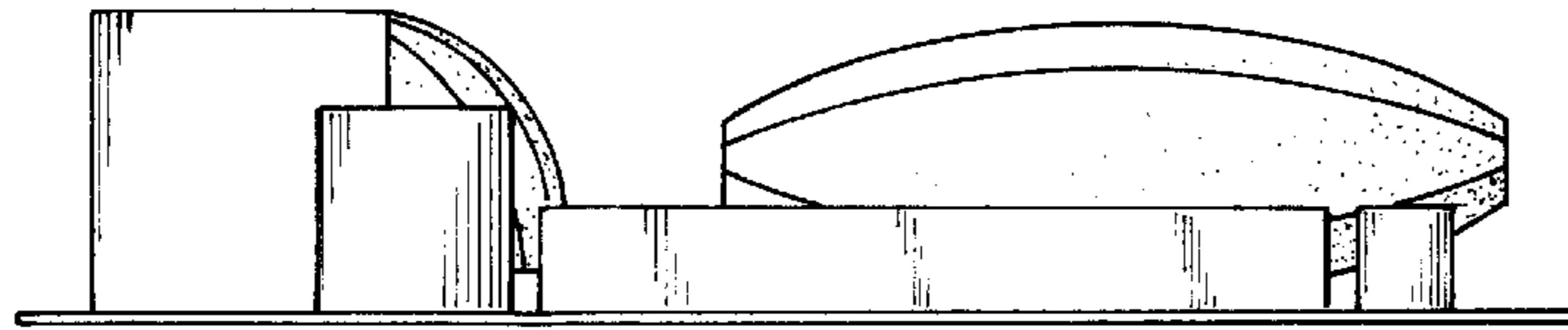


Fig. 6

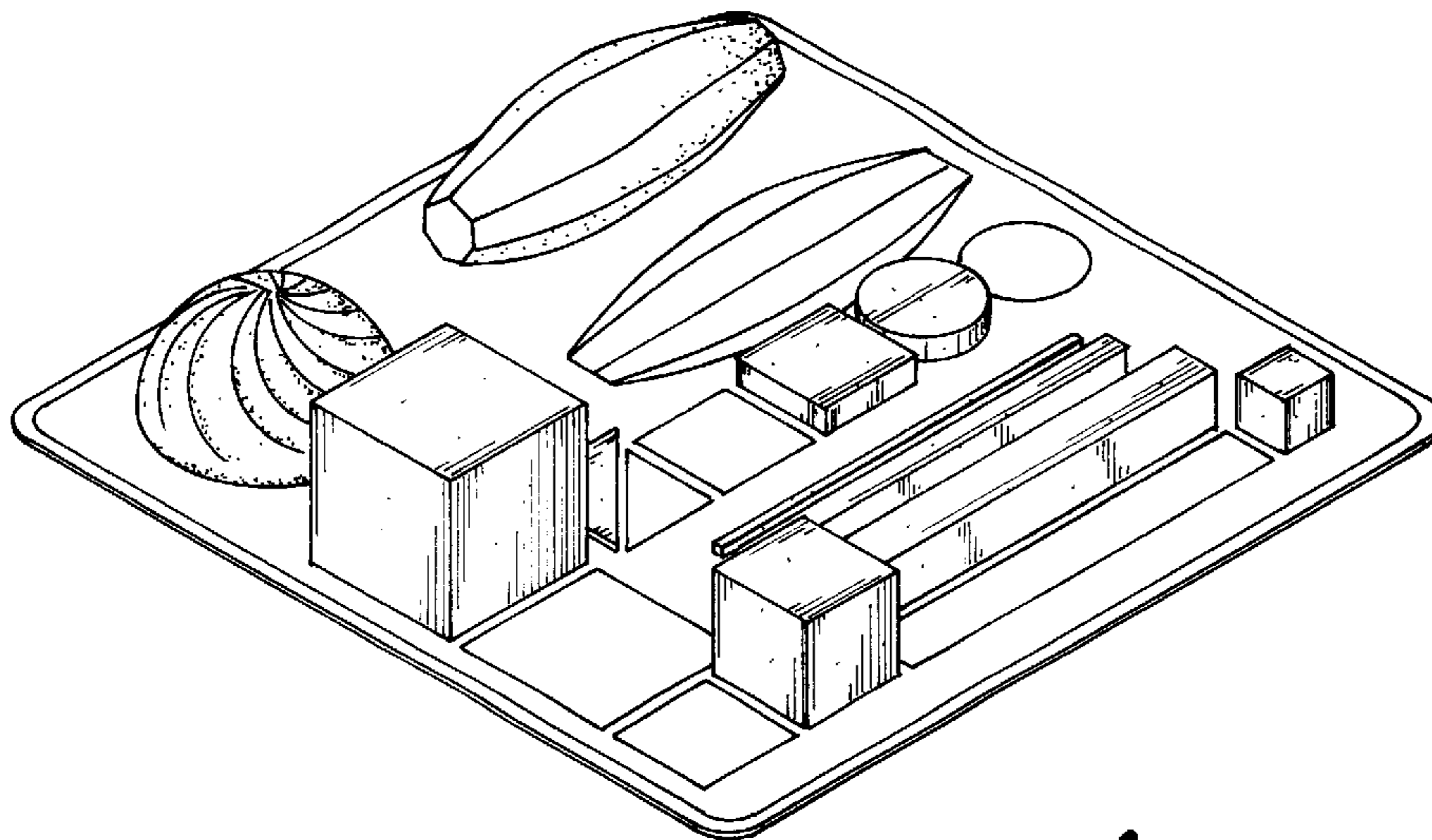


Fig. 7