



US00D536933S

(12) **United States Design Patent**
Perlman

(10) **Patent No.:** **US D536,933 S**

(45) **Date of Patent:** **** Feb. 20, 2007**

(54) **ANGLED BOTTLE REST**

(76) Inventor: **Daniel Perlman**, 94 Oakland Ave.,
Arlington, MA (US) 02476

(**) Term: **14 Years**

(21) Appl. No.: **29/253,435**

(22) Filed: **Feb. 7, 2006**

(51) **LOC (8) Cl.** **07-06**

(52) **U.S. Cl.** **D7/619.1**

(58) **Field of Classification Search** D7/619.1-625;
215/392-396; 211/13.1, 71.01, 74; D6/465,
D6/466, 469; 248/105, 133, 146, 148, 152,
248/174, 176.1, 312

See application file for complete search history.

(56) **References Cited**

U.S. PATENT DOCUMENTS

D198,488 S	*	6/1964	Reis	D7/619.1
3,814,293 A	*	6/1974	Daves	211/74
4,515,334 A	*	5/1985	Horne	248/146
D290,673 S	*	7/1987	Imatt	D7/619.1
4,836,476 A	*	6/1989	Wolf	248/146
D302,773 S	*	8/1989	Nelson	D7/619.1
D336,005 S	*	6/1993	Keup	D7/620

* cited by examiner

Primary Examiner—Terry A. Wallace

(74) *Attorney, Agent, or Firm*—Mark P. White

(57) **CLAIM**

The ornamental design of an angled bottle rest, as shown and described.

DESCRIPTION

FIG. 1 depicts a perspective view of the angled bottle rest of the present invention, further depicting a bottle (in phantom) resting therein.

FIG. 2 depicts a left elevational view of the angled bottle rest.

FIG. 3 depicts a right elevational view of the angled bottle rest.

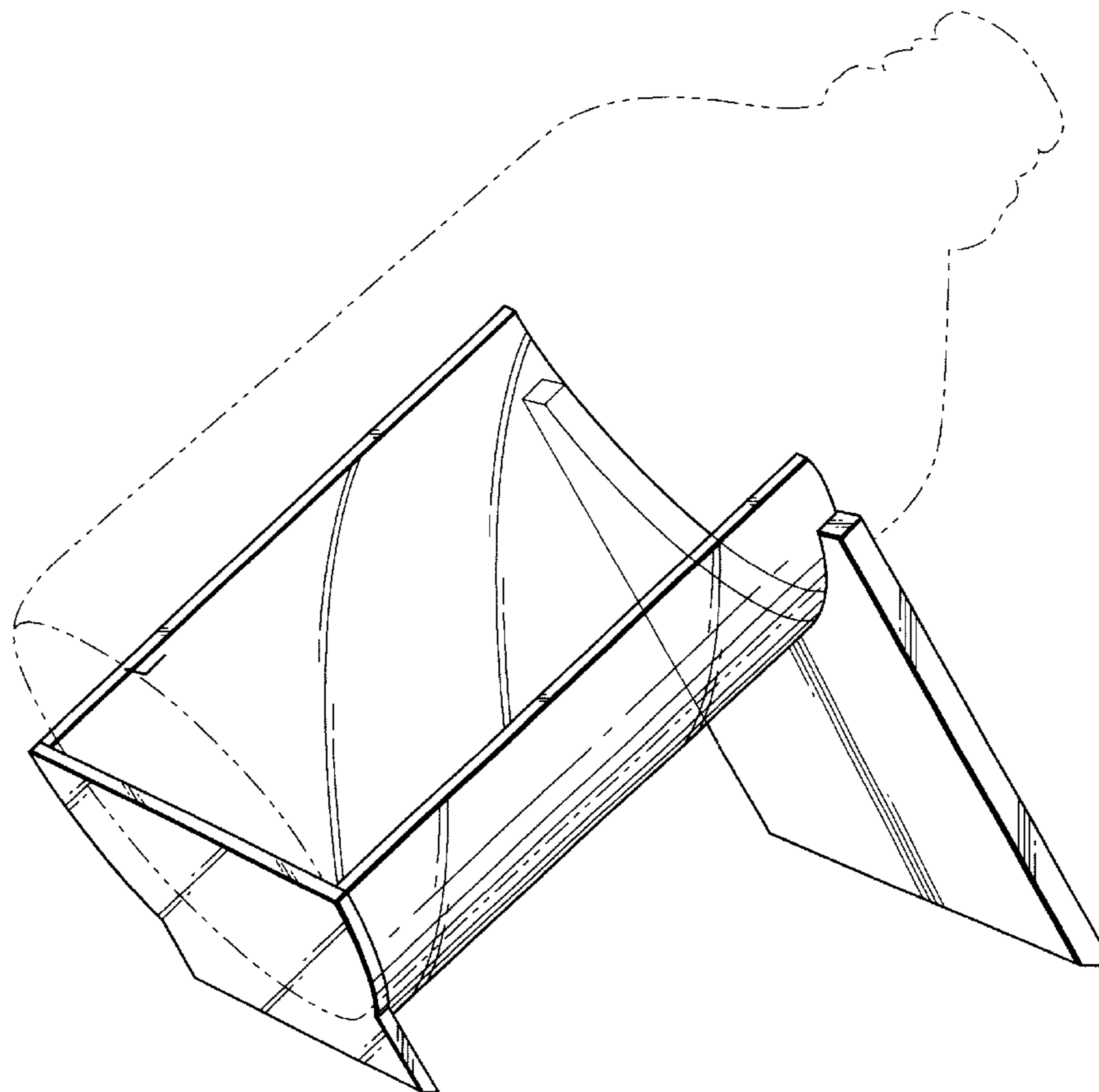
FIG. 4 depicts a front elevational view of the angled bottle rest.

FIG. 5 depicts a rear elevational view of the angled bottle rest.

FIG. 6 depicts a top plan view of the angled bottle rest; and, FIG. 7 depicts a bottom plan view of the angled bottle rest.

The broken lines are for illustrative purposes only and form no part of the claimed design.

1 Claim, 4 Drawing Sheets



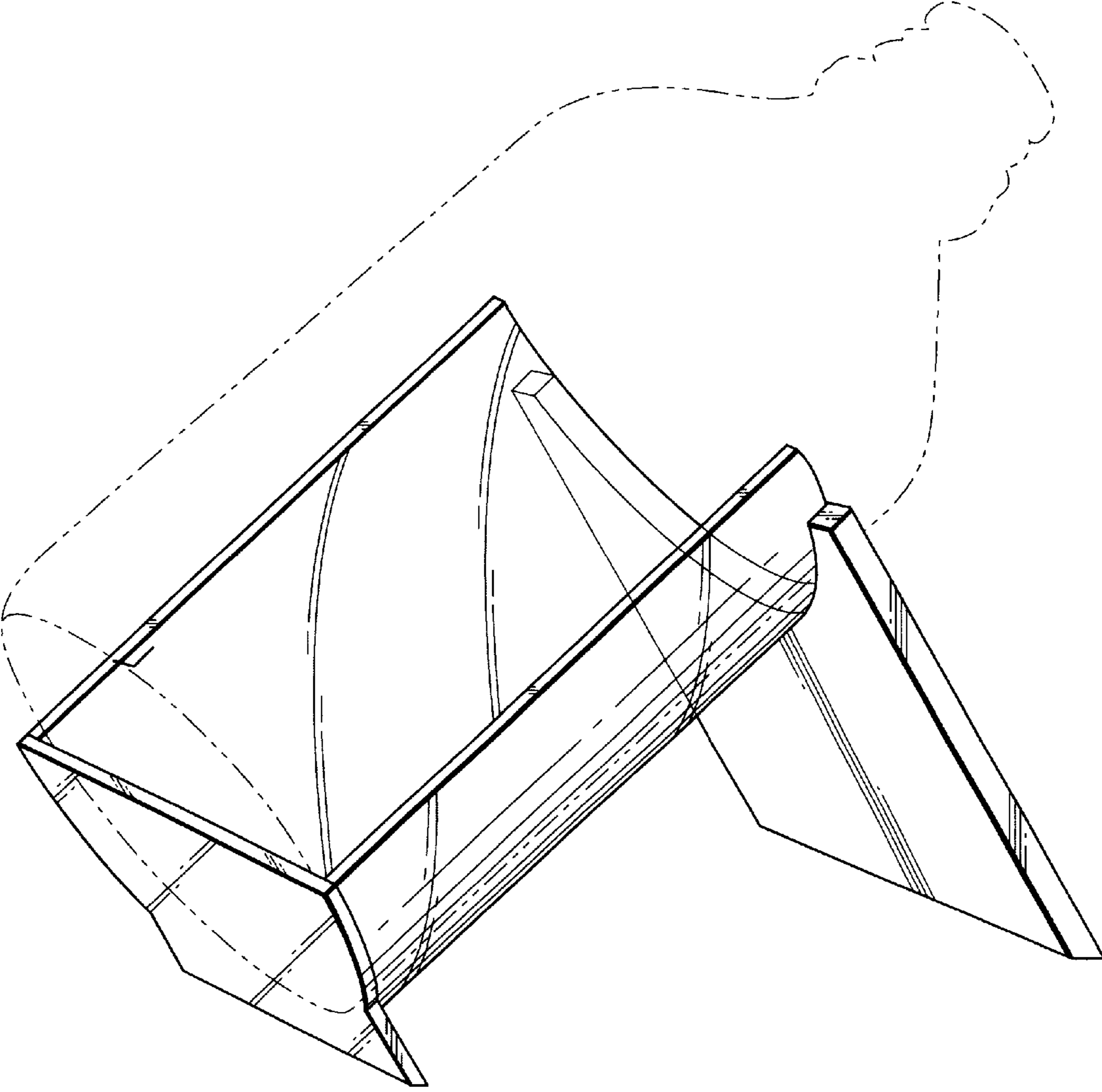


FIG. 1

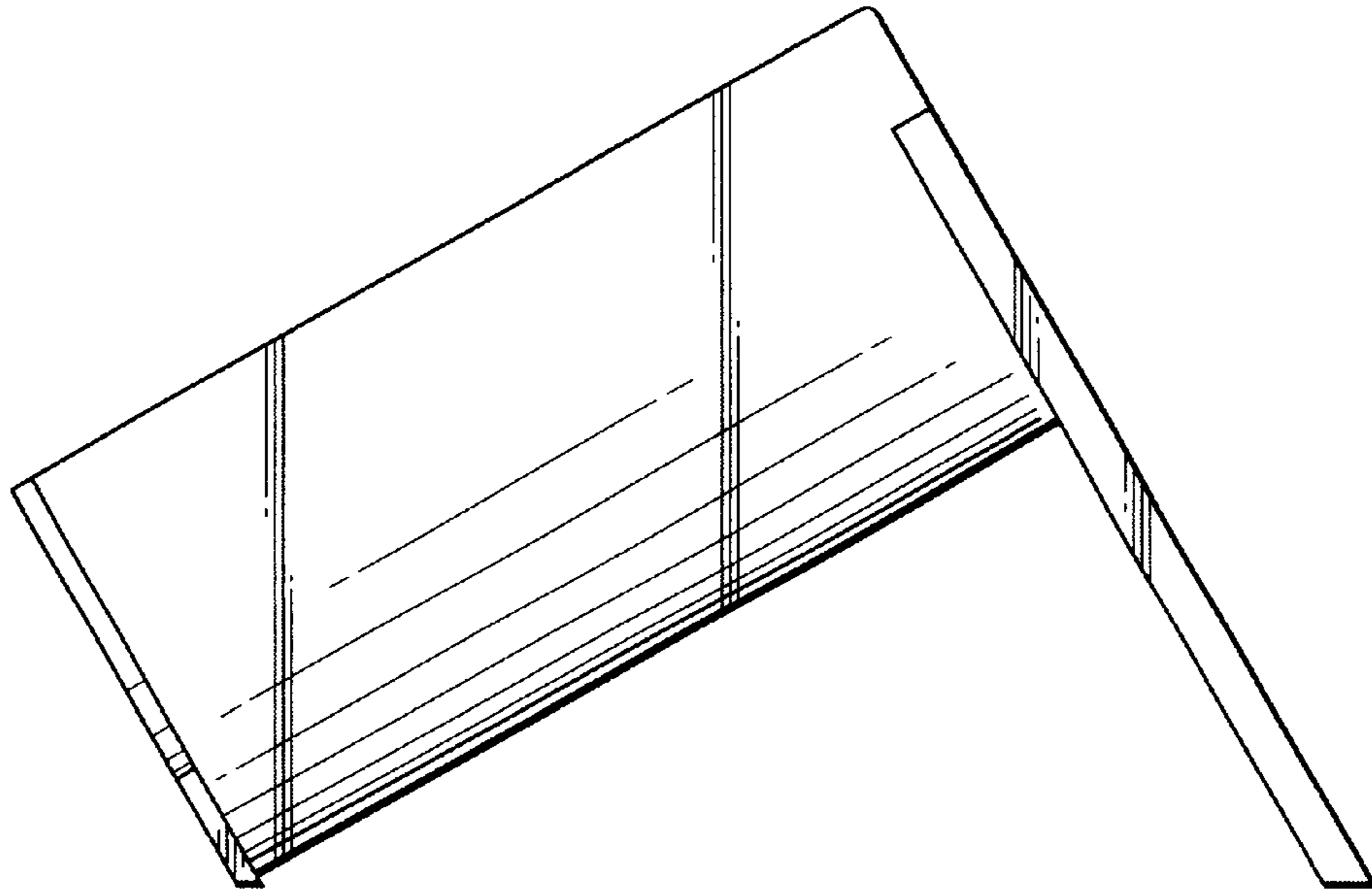


FIG. 2

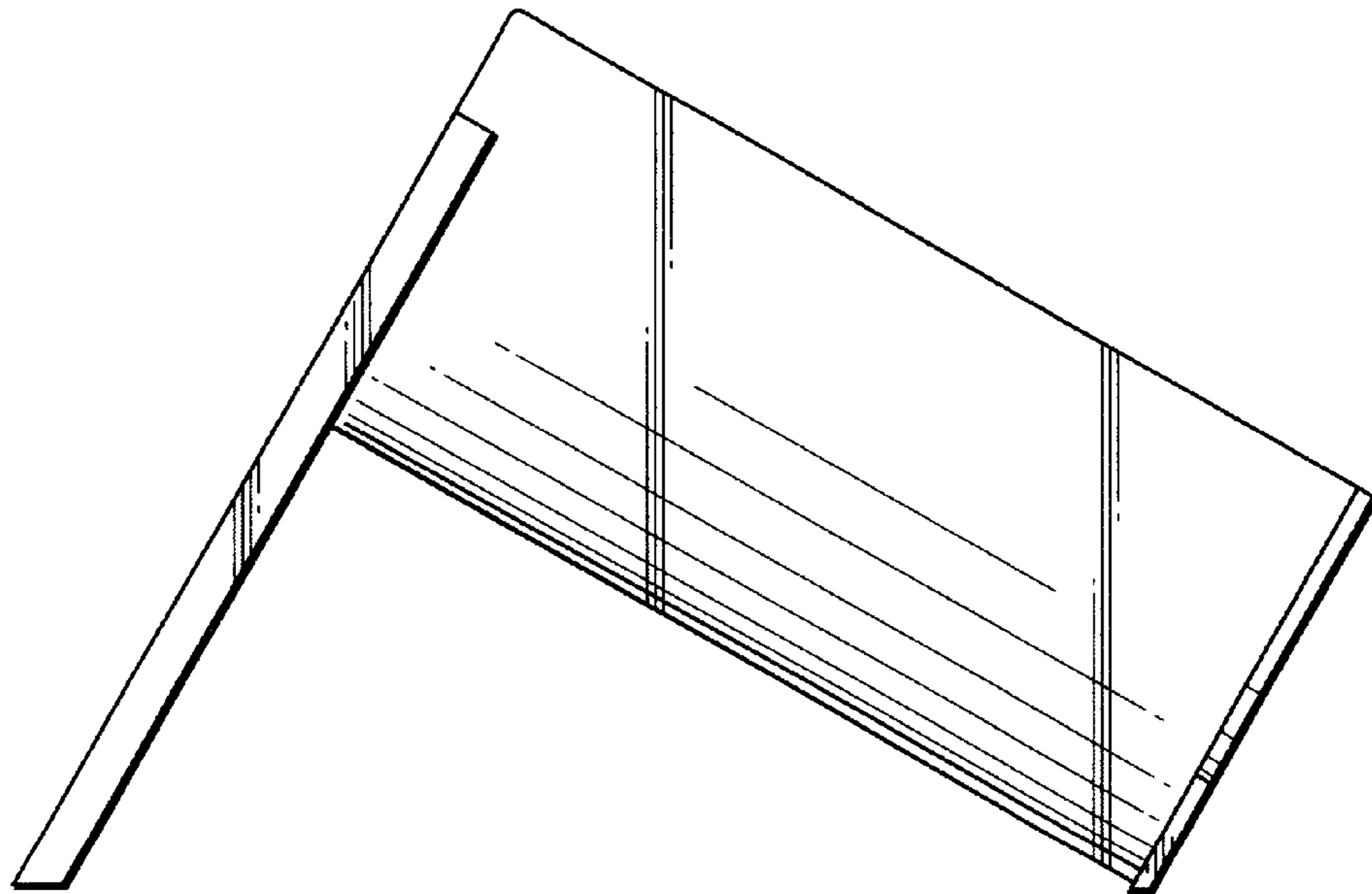


FIG. 3

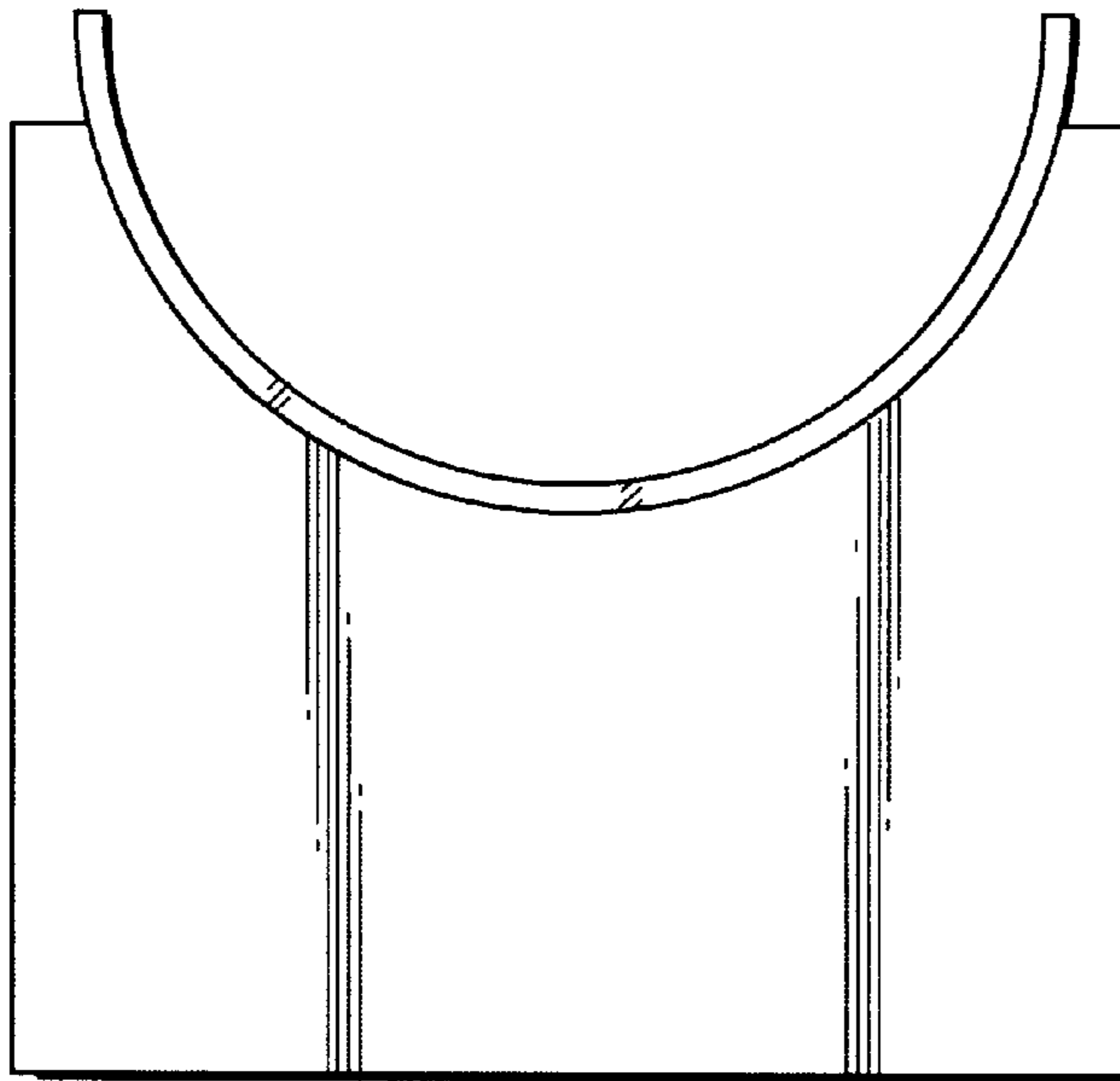


FIG. 4

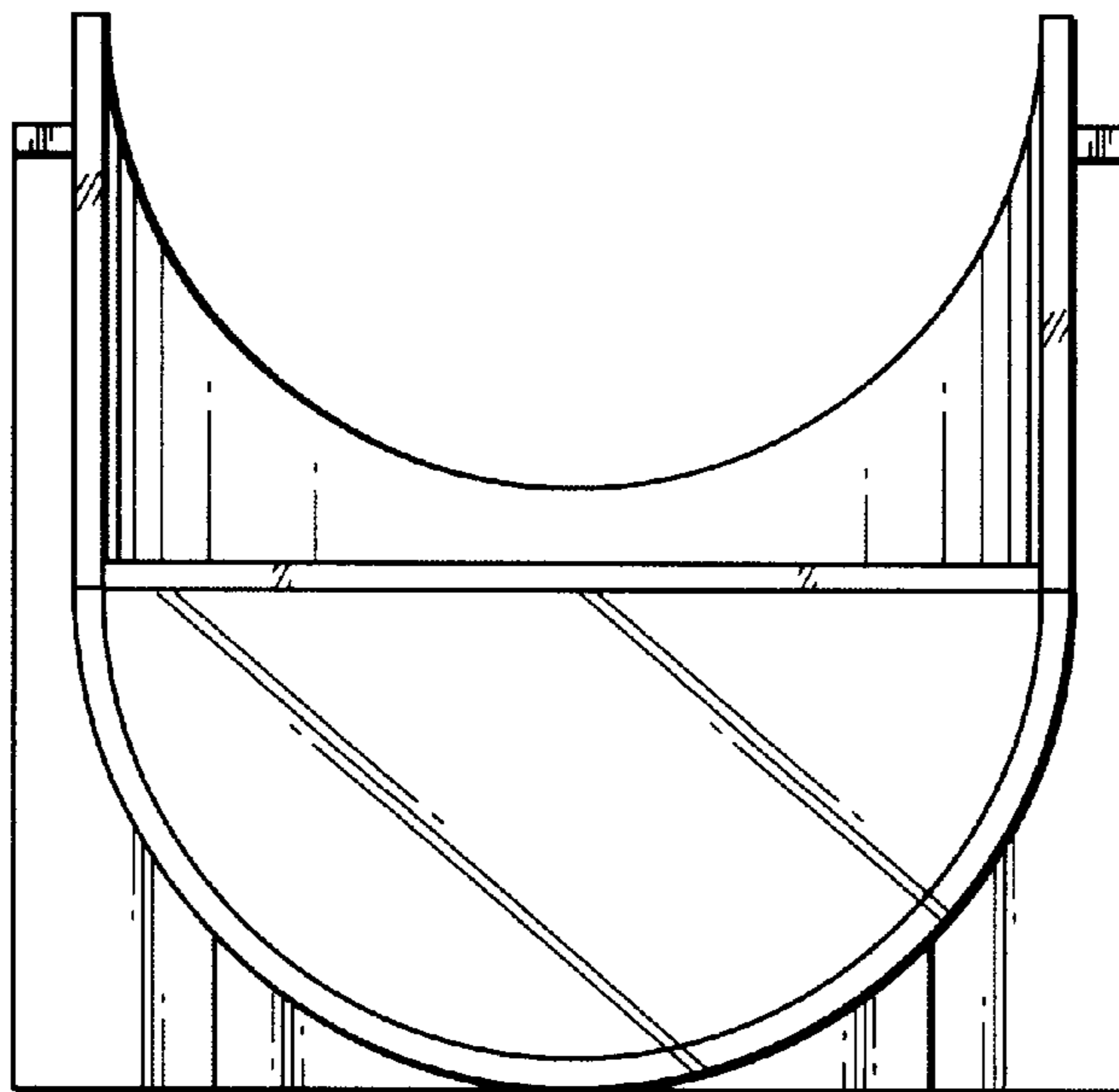


FIG. 5

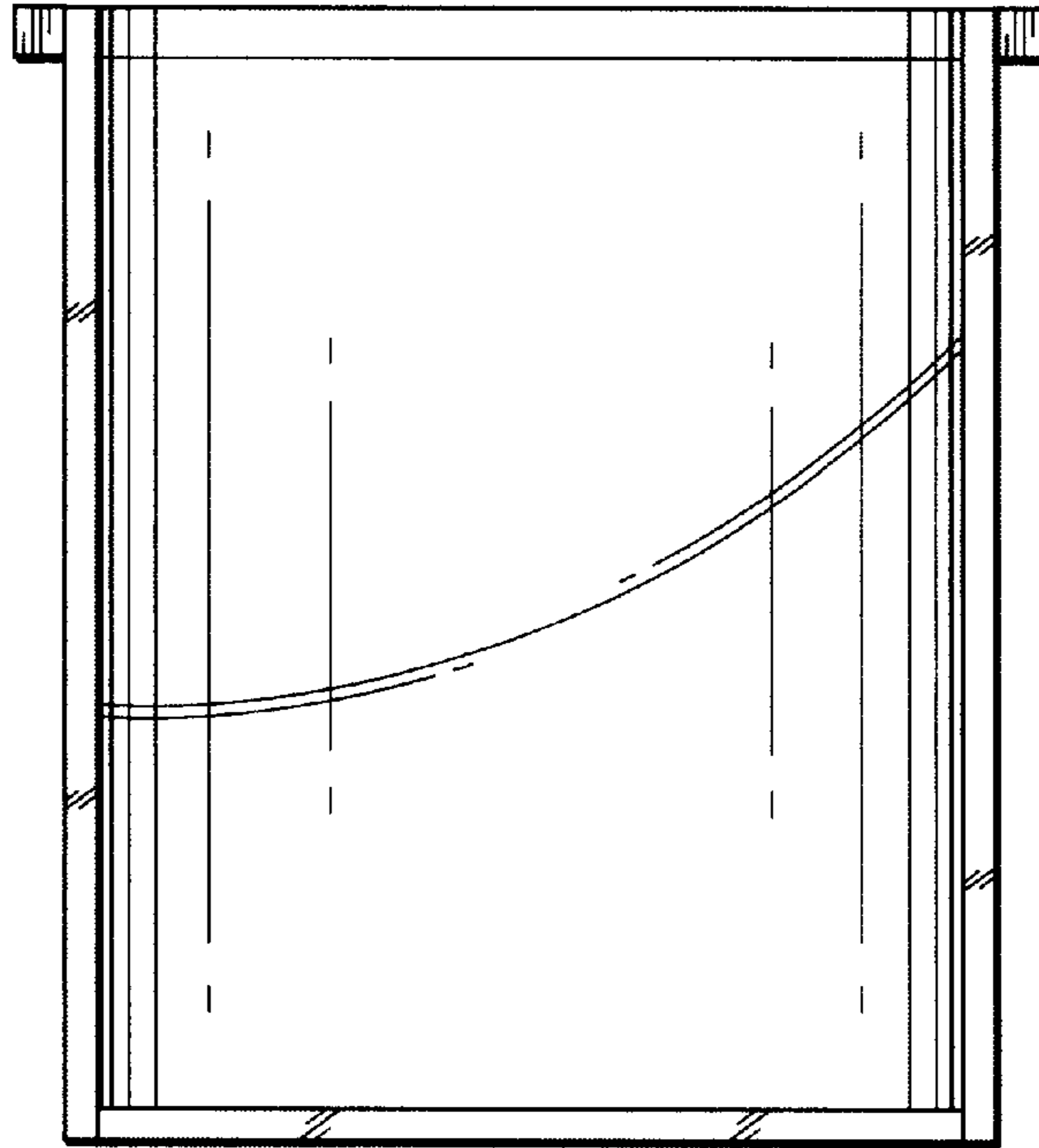


FIG. 6

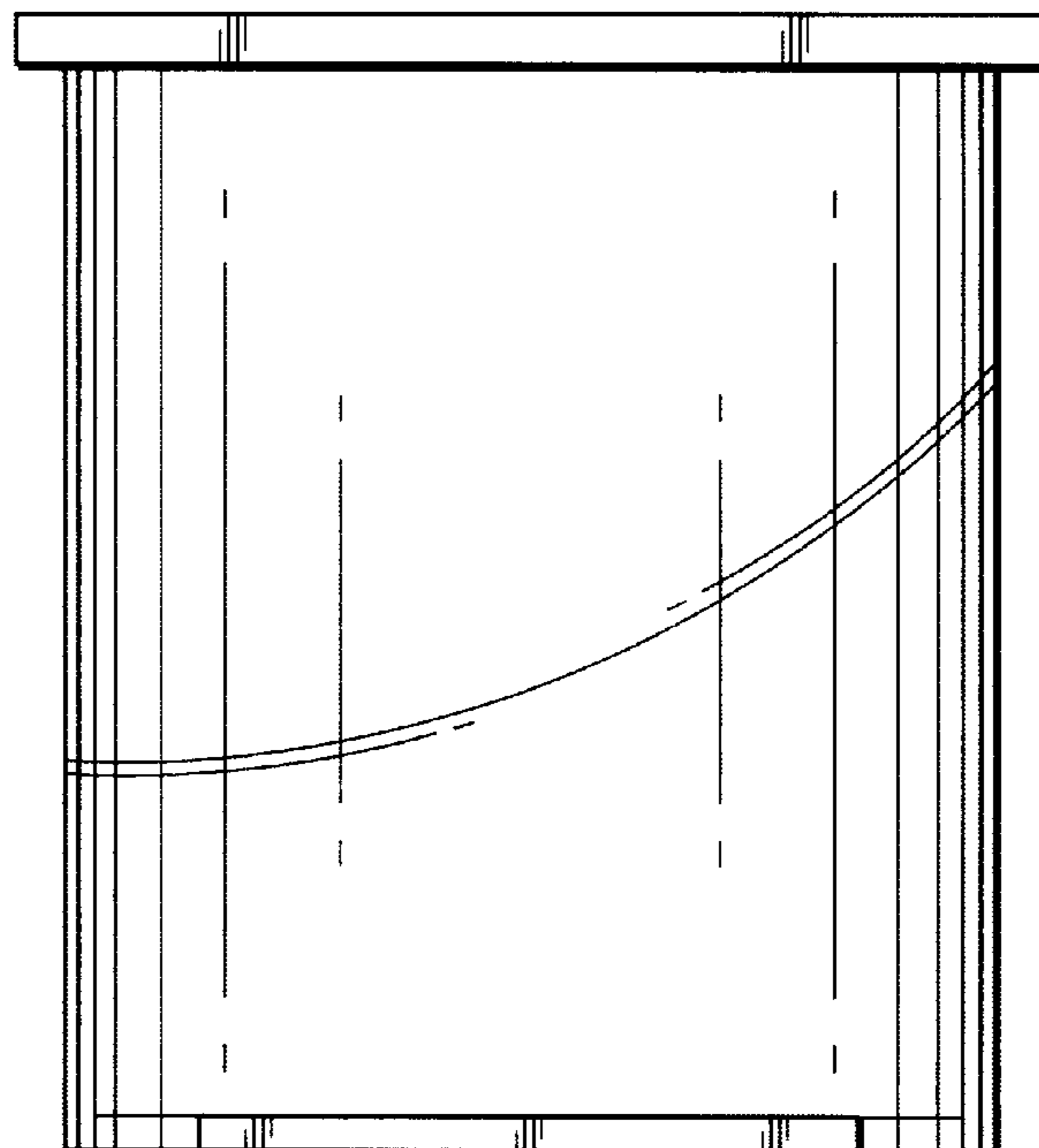


FIG. 7