



US00D536932S

(12) **United States Design Patent**  
**Stewart et al.**

(10) **Patent No.:** **US D536,932 S**

(45) **Date of Patent:** **\*\* Feb. 20, 2007**

(54) **ICE HOLDING DEVICE**

4,347,713 A \* 9/1982 Morrison et al. .... 62/371  
D283,845 S \* 5/1986 Lief et al. .... D7/607  
D370,300 S \* 5/1996 Gottvald et al. .... D27/172

(75) Inventors: **Anna M. Stewart**, Atlanta, GA (US);  
**Stephen Kraigh Stewart**, Atlanta, GA  
(US)

\* cited by examiner

(73) Assignee: **Fusionbrands Incorporated**, Atlanta,  
GA (US)

*Primary Examiner*—Terry A. Wallace  
(74) *Attorney, Agent, or Firm*—George Ronald Reardon

(\*\*) Term: **14 Years**

(57) **CLAIM**

(21) Appl. No.: **29/255,661**

The ornamental design for an ice holding device, as shown  
and described.

(22) Filed: **Mar. 11, 2006**

**DESCRIPTION**

(51) **LOC (8) Cl.** ..... **07-01**

(52) **U.S. Cl.** ..... **D7/603; D7/629**

(58) **Field of Classification Search** ..... D7/603–608,  
D7/619.1, 624.1, 624.2, 629, 538–542, 571,  
D7/572; 215/12.1, 12.2, 13.1; 62/457.1–457.9;  
220/737–739, 902, 903

A container for use in holding ice, creating ice or cooling a  
beverage container, e.g. a wine bottle.

FIG. 1 is an exploded perspective view of an ice holding  
device showing our new design;

FIG. 2 is a side view thereof;

FIG. 3 is a top plan view thereof; and,

FIG. 4 is a bottom plan view thereof.

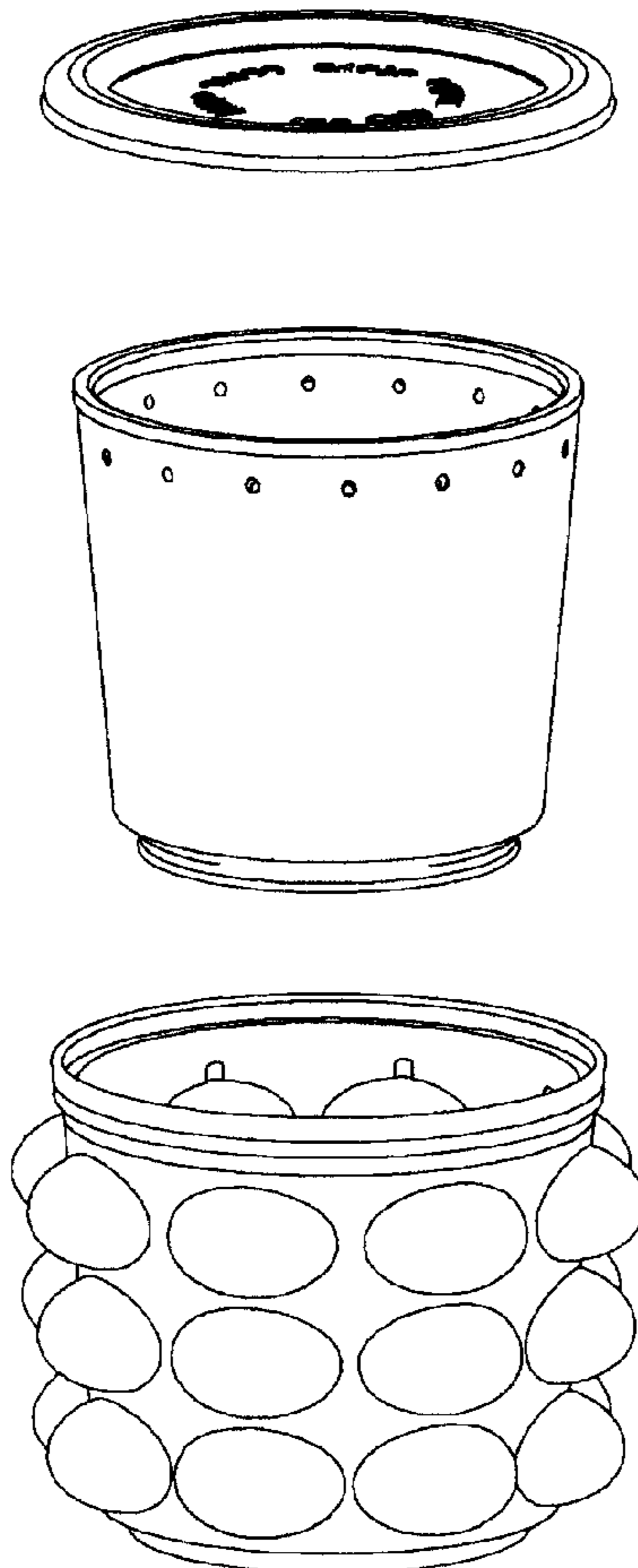
See application file for complete search history.

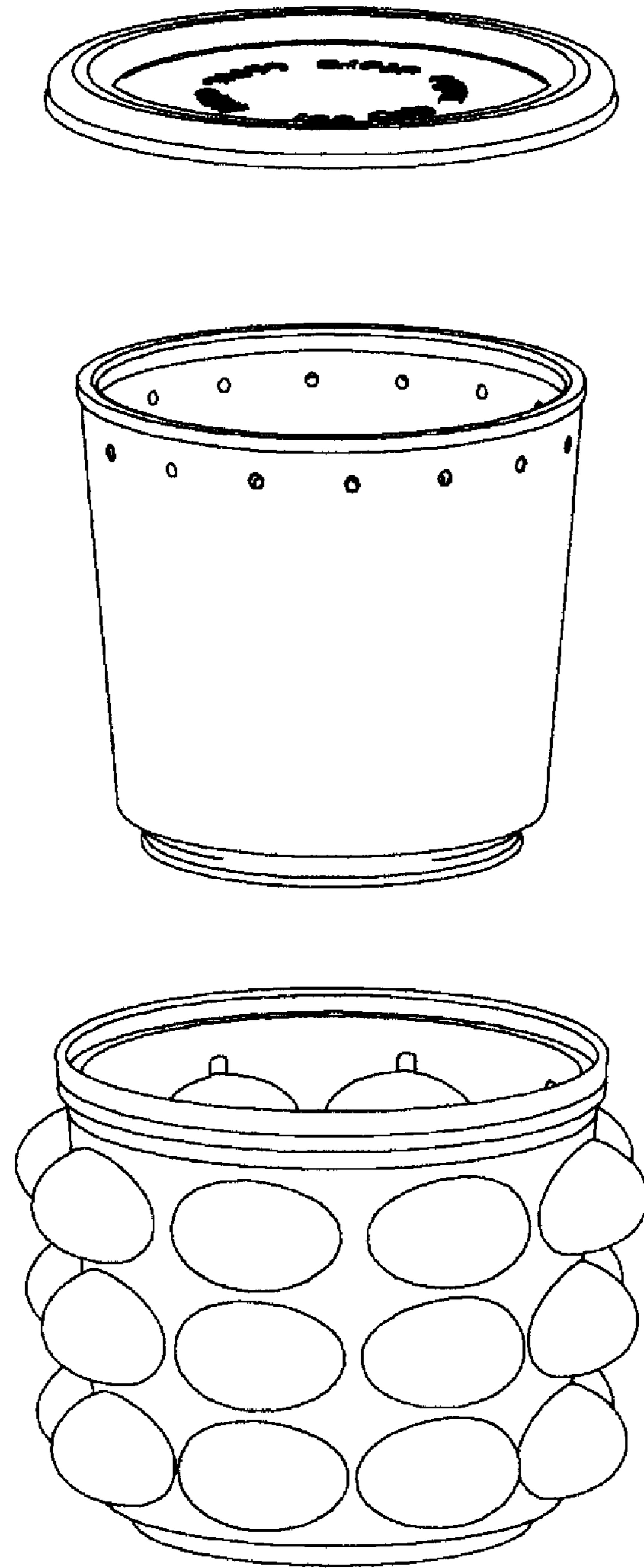
(56) **References Cited**

**U.S. PATENT DOCUMENTS**

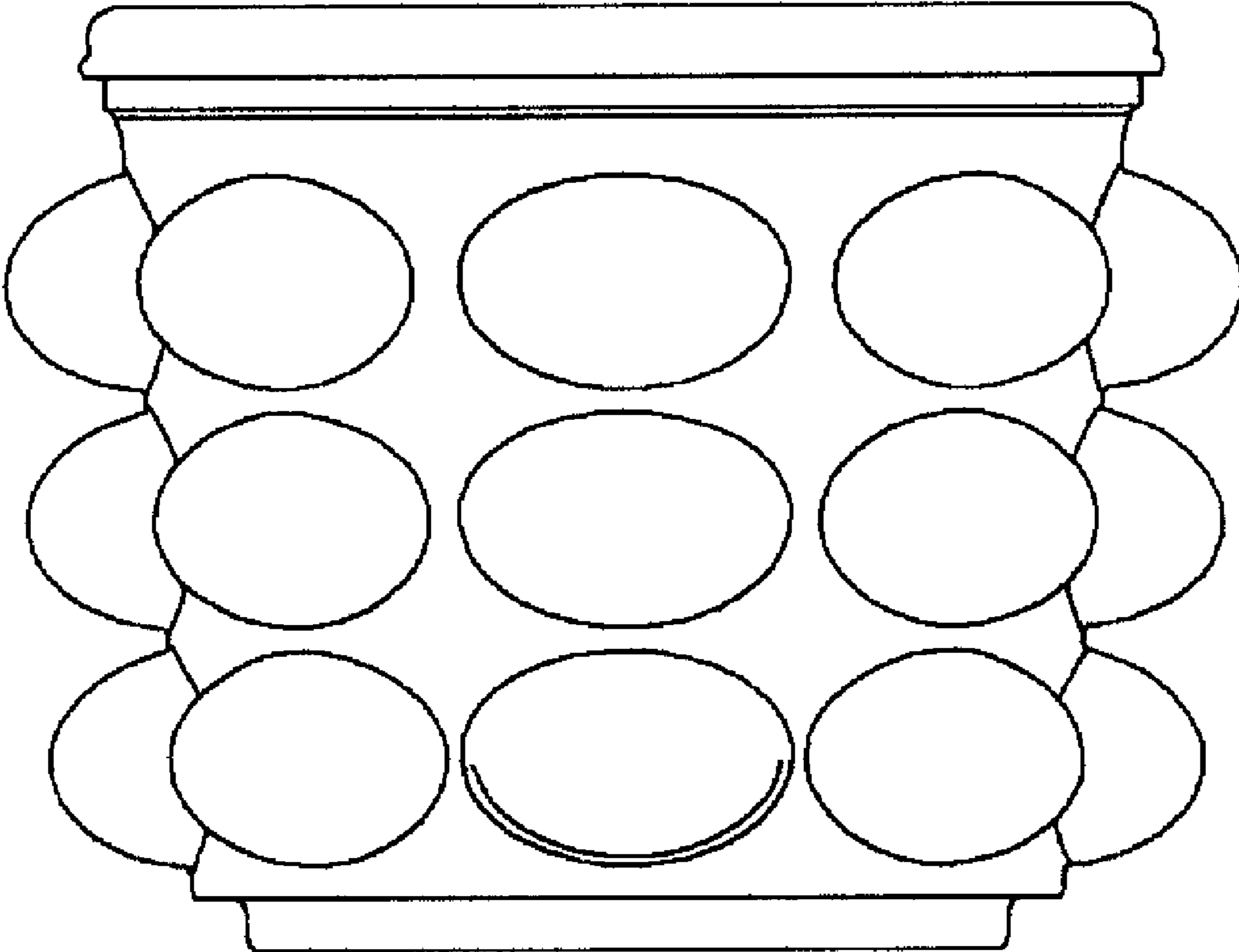
3,967,993 A \* 7/1976 Isomi ..... 215/12.1

**1 Claim, 4 Drawing Sheets**

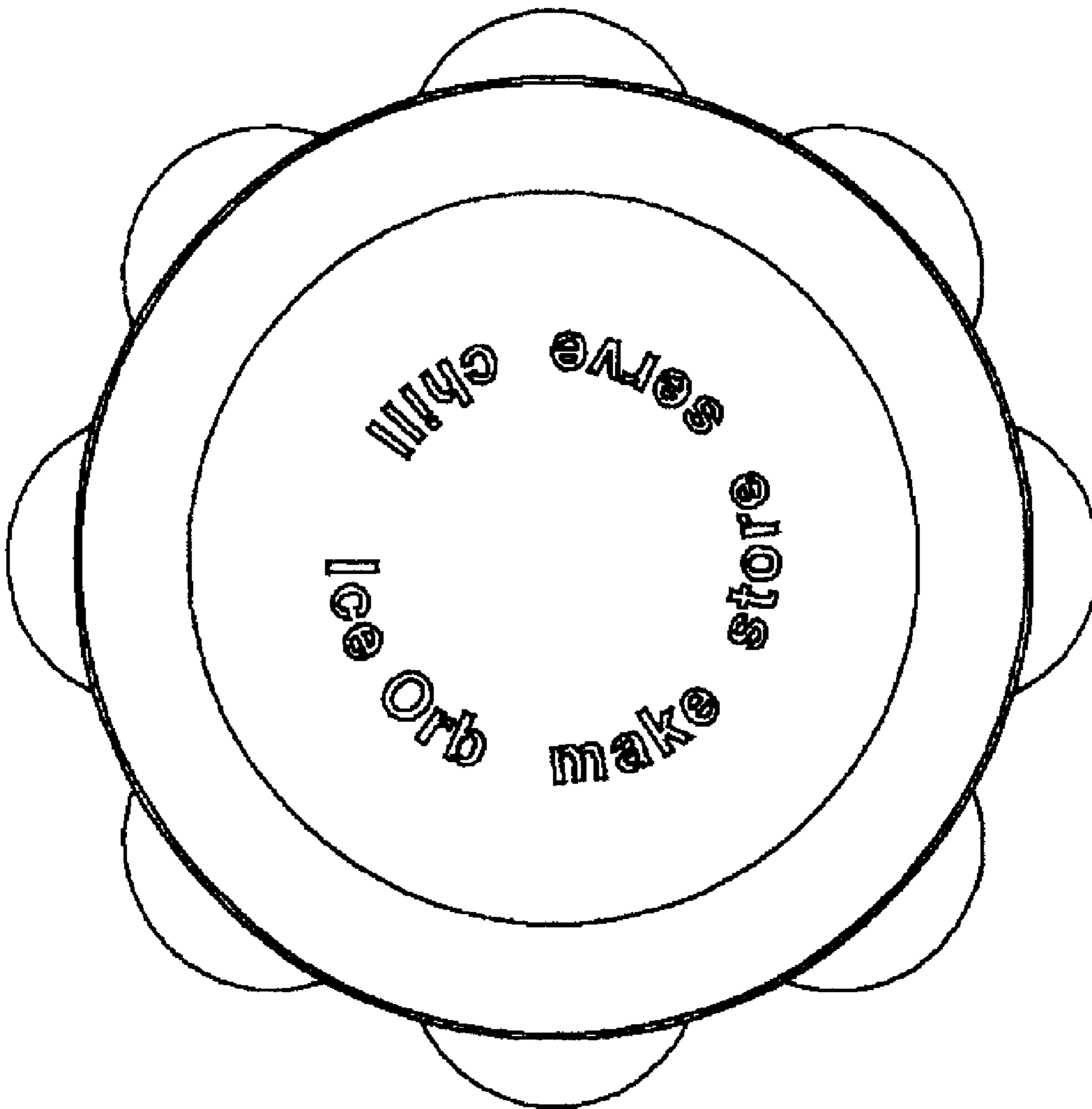




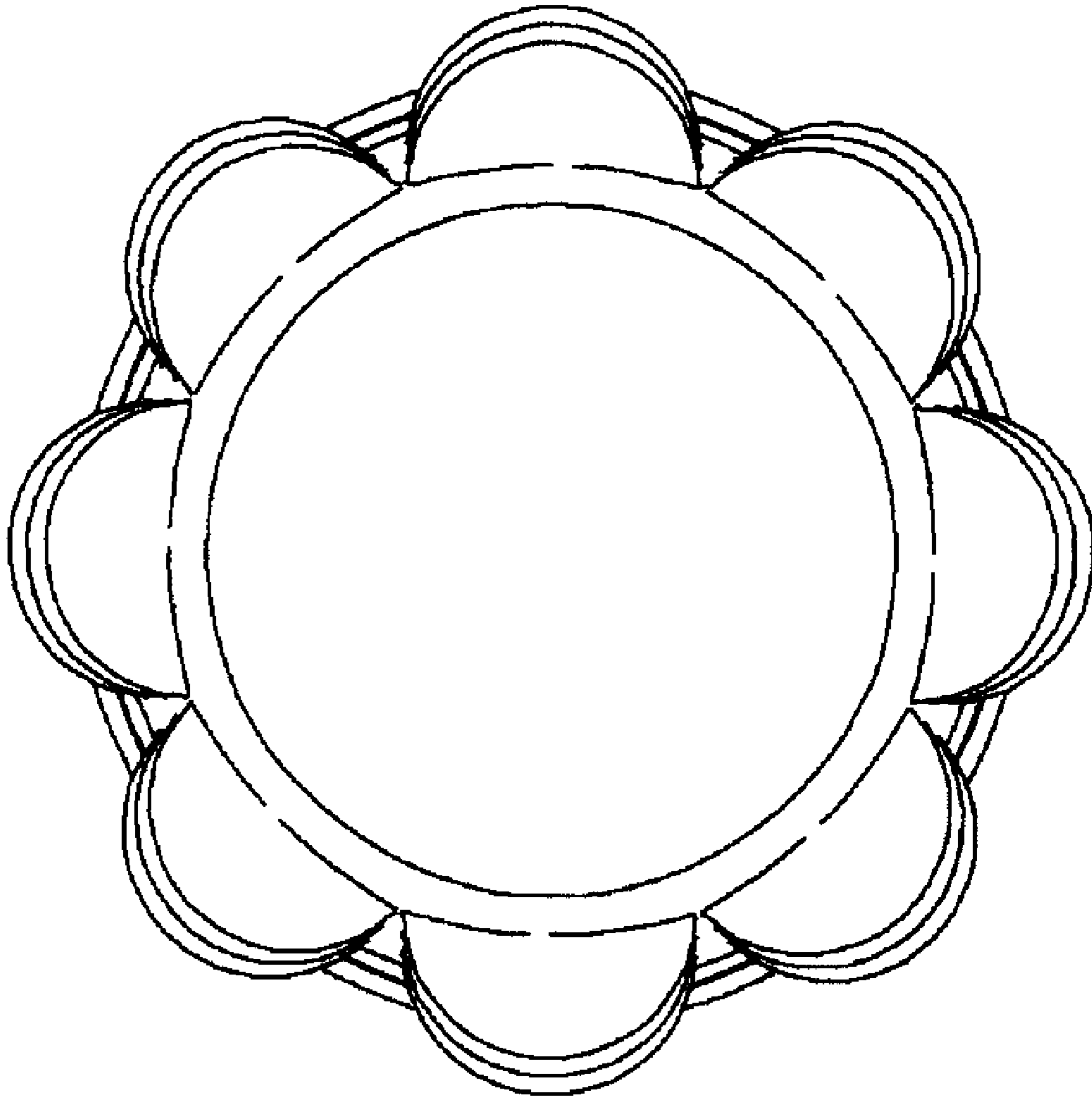
**FIG. 1**



**FIG. 2**



**FIG. 3**



**FIG. 4**