



US00D536927S

(12) **United States Design Patent**
McKenzie

(10) **Patent No.:** **US D536,927 S**

(45) **Date of Patent:** **** Feb. 20, 2007**

(54) **BARBEQUE CONDIMENT RACK**

(75) Inventor: **Stuart T. McKenzie, Wyevale (CA)**

(73) Assignee: **Fiesta Barbeques Limited, Brampton (CA)**

(**) Term: **14 Years**

(21) Appl. No.: **29/237,514**

(22) Filed: **Sep. 2, 2005**

(30) **Foreign Application Priority Data**

| | | | |
|--------------|------|-------|--------|
| Mar. 4, 2005 | (CA) | | 110257 |
| Mar. 4, 2005 | (CA) | | 110258 |
| Mar. 4, 2005 | (CA) | | 111801 |
| Mar. 4, 2005 | (CA) | | 111805 |
| Mar. 4, 2005 | (CA) | | 111818 |
| Mar. 4, 2005 | (CA) | | 111821 |
| Mar. 4, 2005 | (CA) | | 111834 |
| Mar. 4, 2005 | (CA) | | 111867 |
| Mar. 4, 2005 | (CA) | | 111890 |

(51) **LOC (8) Cl.** **07-02**

(52) **U.S. Cl.** **D7/402**

(58) **Field of Classification Search** D7/332-338,
D7/339-340, 347-348, 402-405; 99/339-340,
99/420, 421 A, 421 H, 421 M, 422, 423,
99/427, 443 C, 441, 443 R, 445, 447-448,
99/482, 450; 126/4, 9 R, 25 R, 25 A, 25 AA,
126/30, 37 R, 37 B, 39 B, 39 E, 40, 41 R,
126/50, 276, 300, 332, 334; D23/286; D6/511,
D6/574; 248/235, 129; 211/90.01, 134-135,
211/153

See application file for complete search history.

(56) **References Cited**

U.S. PATENT DOCUMENTS

D377,734 S * 2/1997 Bird et al. D7/402

| | | | | | |
|-----------------|---|---------|----------------|-------|----------|
| D435,396 S | * | 12/2000 | Wagner | | D7/402 |
| D436,004 S | * | 1/2001 | Wagner | | D7/402 |
| D462,234 S | * | 9/2002 | Alden et al. | | D7/402 |
| D470,357 S | * | 2/2003 | Home | | D7/334 |
| D472,422 S | * | 4/2003 | Pai | | D7/334 |
| D472,756 S | * | 4/2003 | Pai | | D7/334 |
| D521,308 S | * | 5/2006 | Tseng | | D7/334 |
| 2002/0020303 A1 | * | 2/2002 | Johnson | | 99/339 |
| 2002/0020405 A1 | * | 2/2002 | Coleman et al. | | 126/41 R |
| 2003/0029436 A1 | * | 2/2003 | Carden et al. | | 126/41 R |
| 2004/0154608 A1 | * | 8/2004 | Ward et al. | | 126/41 R |

* cited by examiner

Primary Examiner—Ruth McInroy

(74) *Attorney, Agent, or Firm*—McCarthy Tétrault LLP;
Christopher N. Hunter

(57) **CLAIM**

The ornamental design for barbeque condiment rack, as shown.

DESCRIPTION

FIG. 1 is an isometric view of a barbeque condiment rack showing the new design;

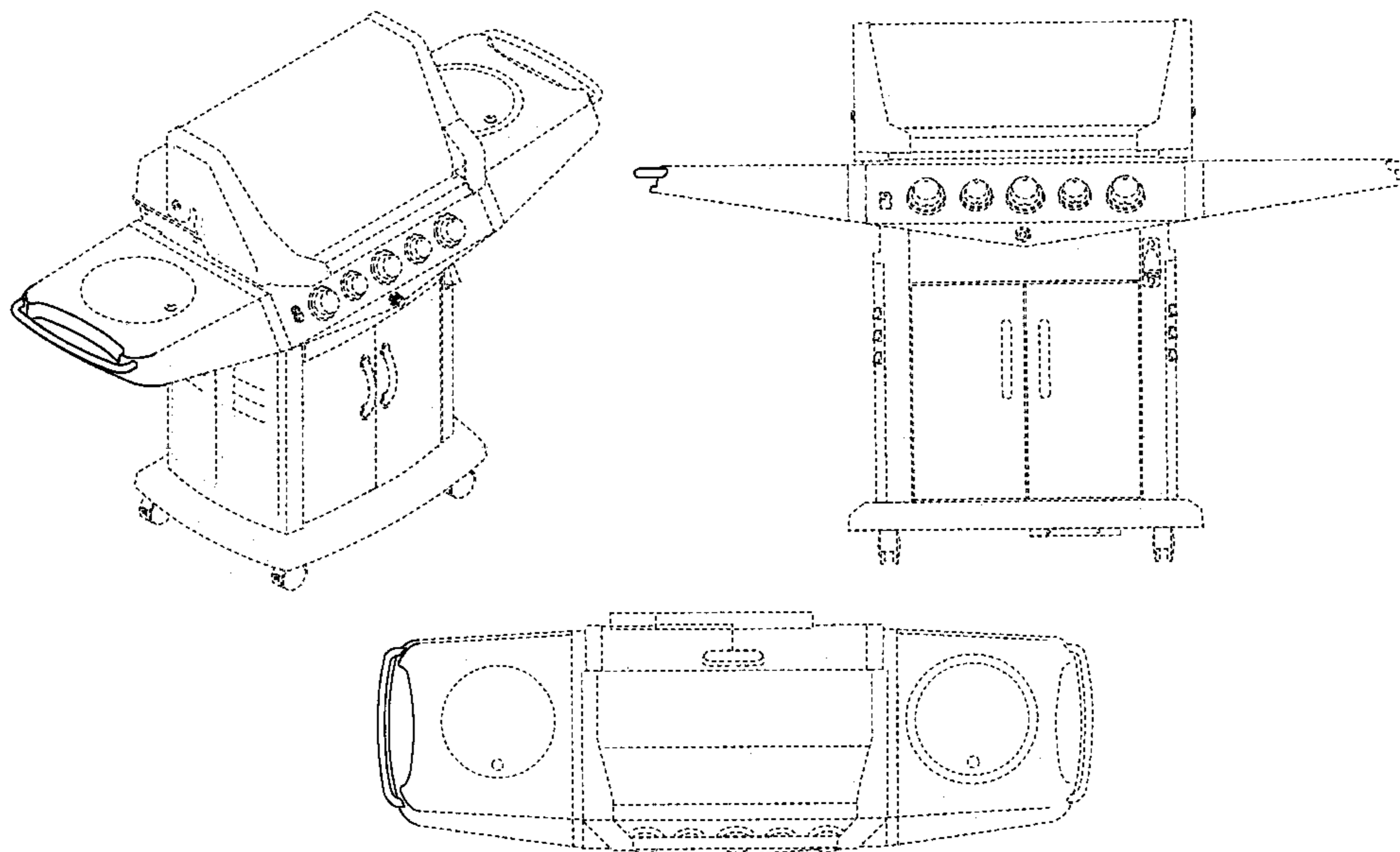
FIG. 2 is a front view of the barbeque condiment rack of FIG. 1;

FIG. 3 is a top view of the barbeque condiment rack of FIG. 1; and,

FIG. 4 is an end view of the barbeque condiment rack of FIG. 1.

The design is shown in solid lines in the drawings. The broken lines are for illustrative purposes only and form no part of the claimed design.

1 Claim, 4 Drawing Sheets



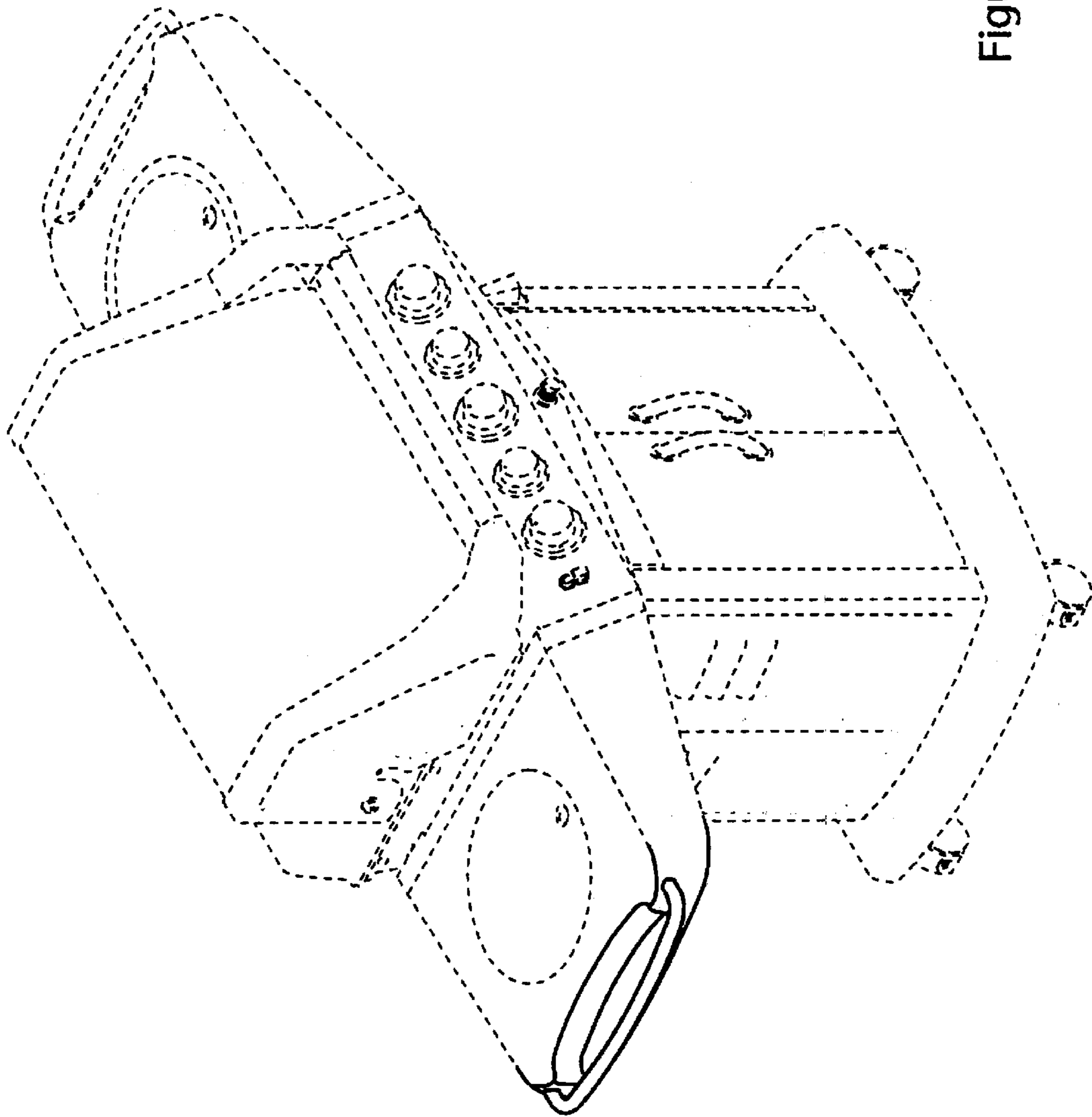


Figure 1

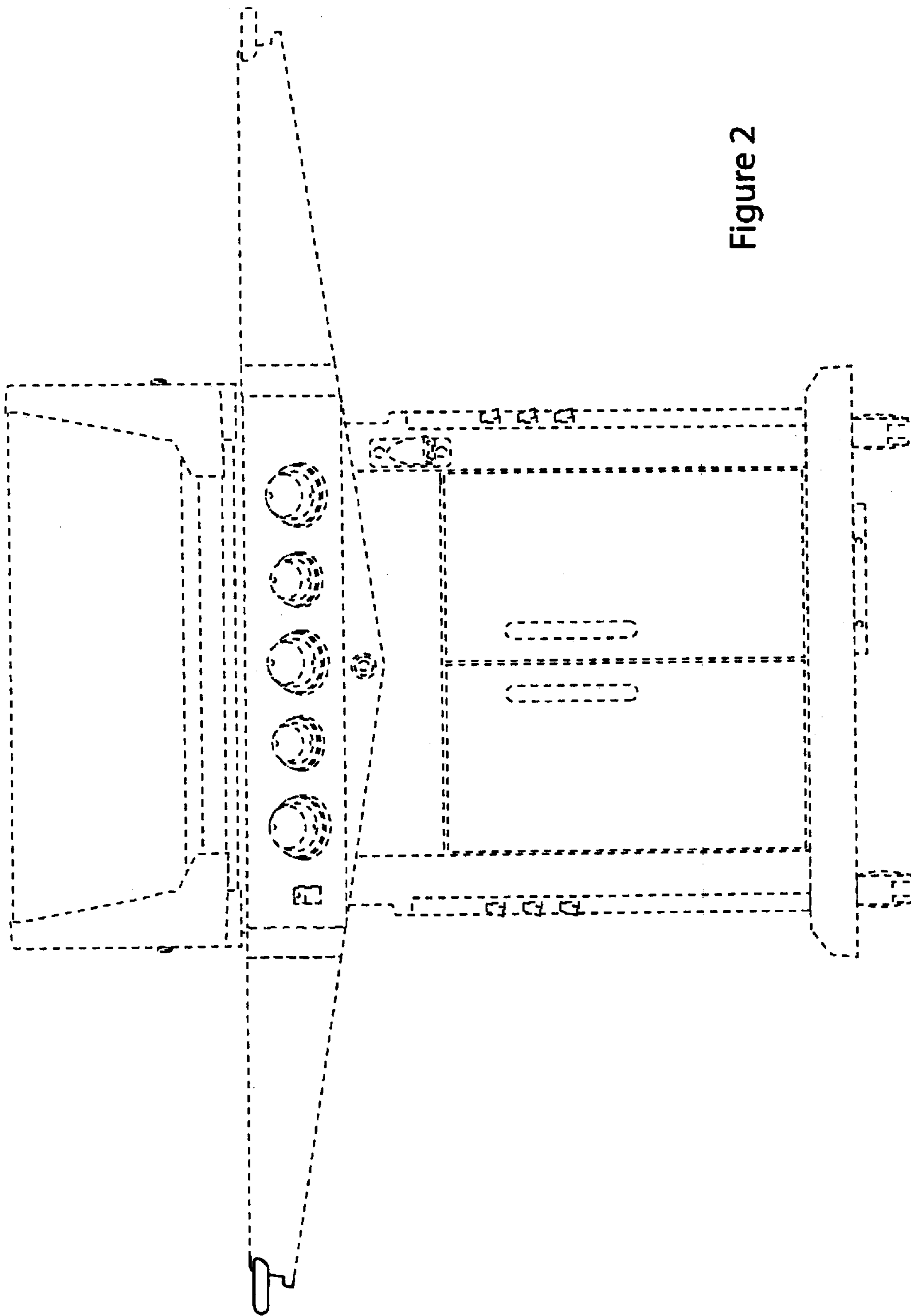


Figure 2

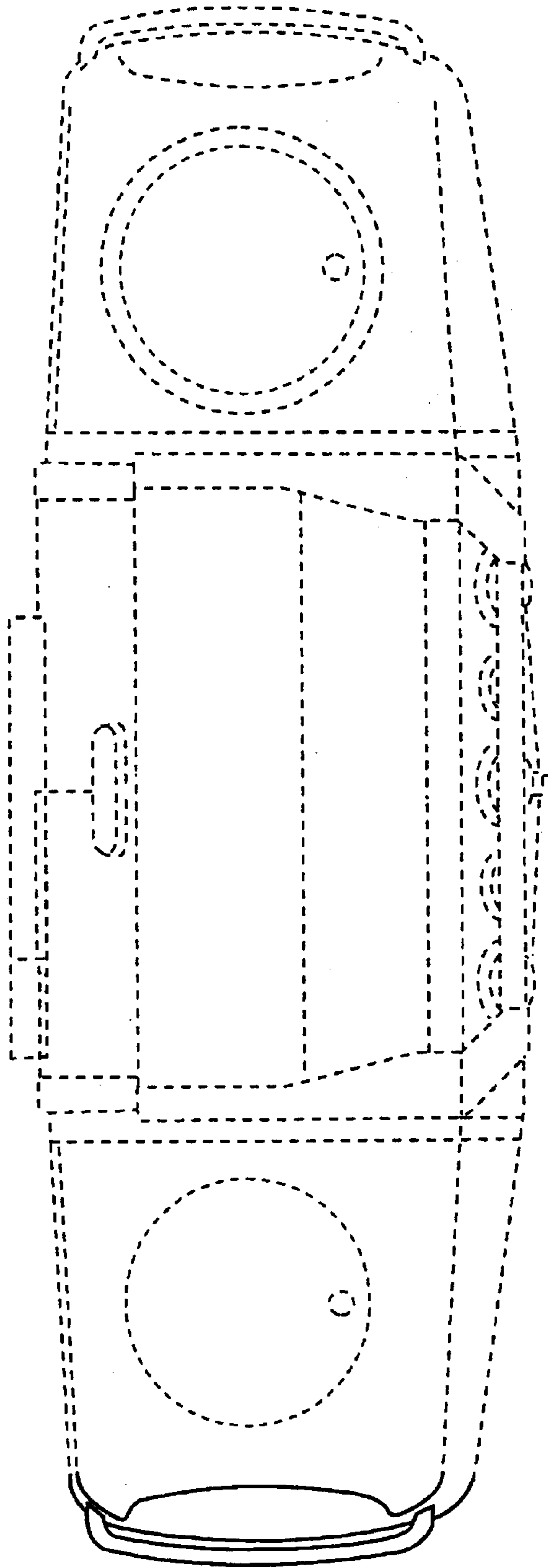


Figure 3

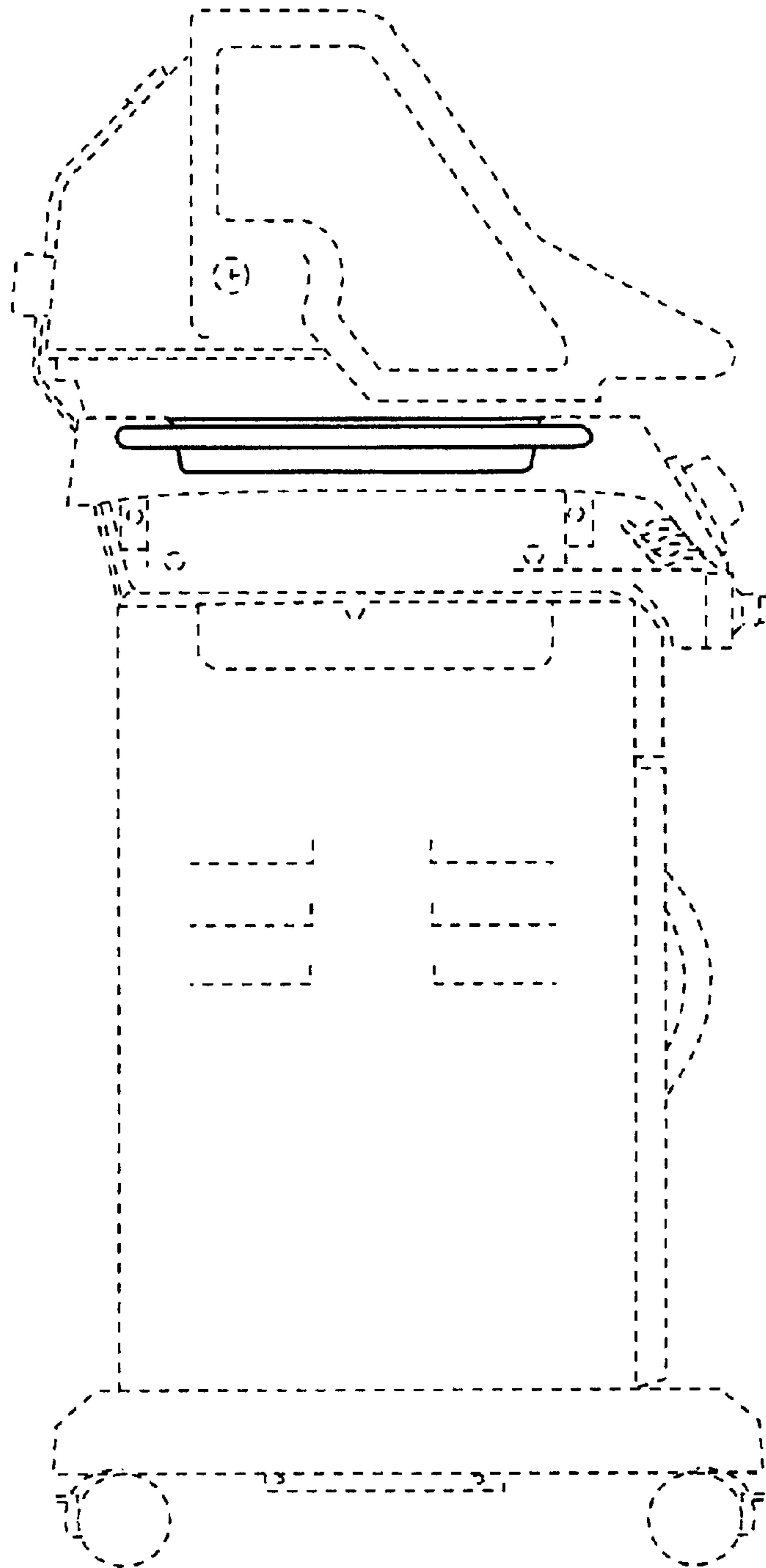


Figure 4

UNITED STATES PATENT AND TRADEMARK OFFICE
CERTIFICATE OF CORRECTION

PATENT NO. : Des. 536,927 S
APPLICATION NO. : 29/237514
DATED : February 20, 2007
INVENTOR(S) : Stuart T. McKenzie

Page 1 of 1

It is certified that error appears in the above-identified patent and that said Letters Patent is hereby corrected as shown below:

Title Page, Item (30) Foreign Application Priority Data should read as follows:

| | |
|----------------------------|-----------|
| -- Mar. 4, 2005 (CA) | 110257 |
| Mar. 4, 2005 (CA) | 110258 |
| July 8, 2005 (CA) | 111801 |
| July 8, 2005 (CA) | 111805 |
| July 8, 2005 (CA) | 111818 |
| July 8, 2005 (CA) | 111821 |
| July 8, 2005 (CA) | 111834 |
| July 8, 2005 (CA) | 111867 |
| July 8, 2005 (CA) | 111890 -- |

Signed and Sealed this

Twenty-fourth Day of July, 2007



JON W. DUDAS

Director of the United States Patent and Trademark Office